

PRECISION SEALS, INC.

820 Honeysuckle Drive | Fultondale, Alabama 35068

(205) 631-7006 | 1 (800) 233-8585 | FAX (205) 631-7032

Credit Application

Firm Name _____

Mailing Address _____

City _____ State _____ ZIP _____

Shipping Address _____

City _____ State _____ ZIP _____

Phone (_____) _____ FAX (_____) _____

Sales Tax # (provide copy of certificate) _____

A/P Contact Person _____

Company Officers (President) _____ (VP) _____

Bank Info _____ Acct # _____

City _____ State _____ ZIP _____

Phone (_____) _____ Contact _____

Trade References

1. Name / Address _____

Phone (_____) _____ FAX (_____) _____

2. Name / Address _____

Phone (_____) _____ FAX (_____) _____

3. Name / Address _____

Phone (_____) _____ FAX (_____) _____

PRECISION SEALS, INC.

820 Honeysuckle Drive | Fultondale, Alabama 35068

(205) 631-7006 | 1 (800) 233-8585 | FAX (205) 631-7032

Conditions of Sale

- (1) Material Certification can be provided, normally at no charge, but must clearly be requested at time of quotation and shown on Purchase Orders.
- (2) All returns must be authorized by Precision Seals, Inc. prior to return.
- (3) Orders may be scheduled for release over a one-year period to take advantage of quantity discounts. All orders not complete at the end of one year will be shipped complete on that date.
- (4) All manufacturers' names, part numbers, and descriptions are used for reference purposes only. We do not imply that all parts shown on invoice or packing list are the products of these manufacturers.
- (5) Typographical and stenographic errors are subject to correction. Purchaser agrees to accept either overage or shortage not in excess of ten (10) percent to be charged pro-rata.
- (6) Purchaser assumes liability for patent and copyright infringement when tools are made to Purchaser's specifications. When quotation specifies material to be furnished by purchaser, ample allowance must be made for reasonable spoilage, and materials must be suitable quality to facilitate efficient production. Die and Tooling charges are only a fraction of the cost, therefore ownership of die and tooling remains the property of Precision Seals, Inc. and our manufacturer. All such charges are net.
- (7) The prices and terms quoted are not subject to verbal changes or other agreements unless approved in writing. All quotations and agreements are contingent upon strikes, fires, availability of materials, and all other causes beyond our control. Prices are based on costs and conditions existing on date of quotation and are normally for thirty (30) days. After thirty (30) days, prices are subject to change before final acceptance of purchase order. In certain conditions, prices may be revised to price in effect at time of shipment.
- (8) When samples are furnished to a customer by Precision Seals, Inc., Precision Seals, Inc. assumes liability in connection with the furnishing or use of such samples, and there shall be no agreement, warranty, or assurance collateral to or affecting such samples or the furnishing of such samples.
- (9) It is expressly agreed that there are no warranties, expressed or implied, made by the seller on products furnished, except the manufacturer's warranty against defective material, or workmanship as follows: Precision Seals, Inc. hereby agrees to replace or issue credit for, at its option, all defective parts which have not been altered, machined or finished or otherwise damaged, provided claim is made by purchaser within thirty (30) days after receiving said products. Precision Seals, Inc. shall not be held responsible, nor will any claim be allowed for the cost of labor or charges of any kind incurred outside the offices of Precision Seals, Inc. This is to be transportation costs or other losses resulting from such defects. Precision Seals, Inc. reserves the right to inspect products claimed to be defective before the same may be returned. Acceptance of defective products from a carrier will be refused unless permission for the return has been approved by Precision Seals, Inc. Credit for incoming transportation on authorized returns shall be limited to normal UPS charges. All technical advice, recommendations and service are rendered by the seller gratis. They are based on technical data which the seller believes to be reliable and are intended for use by persons having skill and know how, at their own discretion and risk.
- (10) ALL OTHER WARRANTIES, EXPRESS OR IMPLIED, INCLUDING ANY WARRANTY OR MERCHANTABILITY, ARE HEREBY DISCLAIMED. The forgoing expresses all obligations and liabilities of Precision Seals, Inc. with respect to the quality of items furnished by it, and it shall not, under any circumstances, be liable for consequential damages.
- (11) Conditions not specifically stated herein shall be governed by established trade customs or by laws of the State of Alabama. Terms may appear on Purchasers formal order which are consistent with those stated herein shall not be binding upon the seller.

Service...

It's a simple word, but when you need it, it's more than just a word. When you call Precision Seals, you won't be connected to an order-taker in a cubicle or an automated service. You will be placed in direct communication with our professional sales staff that is ready to help you fill your sealing needs.

Allow us to serve you from our vast inventory, or let us specify a special part for your unique projects.

Precision Seals...Your Source for Seals!

Custom Seal Kits

Precision Seals, Inc. specializes in custom seal kits for O.E.M. customers. We have the capability to assemble and private label your seal kits "in-house" for fast turnaround.

As a Hallite® Authorized Distributor, Precision Seals will assemble your kit using the best parts in the industry. When you receive your kits, they will be packaged and labeled, ready for sale to your customer, eliminating the need for storage of individual parts that your staff has to assemble.

Call today for a consultation on our Custom Seal Kit Program.

1-800-233-8585

PRECISION SEALS, INC.

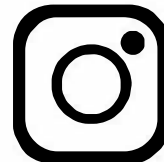
SEALING DEVICES CATALOG

Precision Seals is proud to provide you with this catalog to assist you in your seal purchasing needs. Our staff is eager to help you shop from our huge inventory of sealing devices and provide you with expert service!

***BE SURE TO
FOLLOW US ON..***



**FACEBOOK
AND
INSTAGRAM**



@PRECISIONSEALSINC

P·R·E·C·I·S·I·O·N

SEALS INC.

Precision Seals, Inc. has a wide variety of parts in stock to fill your sealing needs.

If you need a part that you do not see listed, call our sales department and we will get you the parts need.....fast!

1-800-233-8585

1-205-631-7032 (fax)

E-MAIL

PRECISIONORDERS@ATT.NET

WEBSITE

www.precisionseals.com

METRIC/INCH CONVERSION TABLE

Inches		Millimeters
Fractions	Decimals	
—	.0004	.01
—	.004	.10
—	.01	.25
1/64	.0156	.397
—	.0197	.50
—	.0295	.75
1/32	.03125	.794
—	.0394	1.0
3/64	.0469	1.191
—	.059	1.5
1/16	.062	1.588
5/64	.0781	1.984
—	.0787	2.0
3/32	.094	2.381
—	.0984	2.5
7/64	.109	2.778
—	.1181	3.0
1/8	.125	3.175
—	.1378	3.5
9/64	.141	3.572
5/32	.156	3.969
—	.1575	4.0
11/64	.172	4.366
—	.177	4.5
3/16	.1875	4.763
—	.1969	5.0
13/64	.203	5.159
—	.2165	5.5
7/32	.219	5.556
15/64	.234	5.953
—	.2362	6.0
1/4	.250	6.350
—	.2559	6.5
17/64	.2656	6.747
—	.2756	7.0
9/32	.281	7.144
—	.2953	7.5
19/64	.297	7.541
5/16	.312	7.938
—	.315	8.0
21/64	.328	8.334
—	.335	8.5
11/32	.344	8.731
—	.3543	9.0
23/64	.359	9.128

Inches		Millimeters
Fractions	Decimals	
—	.374	9.5
3/8	.375	9.525
25/64	.391	9.922
—	.3937	10.0
13/32	.406	10.319
—	.413	10.5
27/64	.422	10.716
—	.4331	11.0
7/16	.438	11.113
29/64	.453	11.509
15/32	.469	11.906
—	.4724	12.0
31/64	.484	12.303
—	.492	12.5
1/2	.500	12.700
—	.5118	13.0
33/64	.5156	13.097
17/32	.531	13.494
35/64	.547	13.891
—	.5512	14.0
9/16	.563	14.288
—	.571	14.5
37/64	.578	14.684
—	.5906	15.0
19/32	.594	15.081
39/64	.609	15.478
5/8	.625	15.875
—	.6299	16.0
41/64	.6406	16.272
—	.6496	16.5
21/32	.658	16.669
—	.6693	17.0
43/64	.672	17.066
11/16	.6875	17.463
45/64	.703	17.859
—	.7087	18.0
23/32	.719	18.256
—	.7283	18.5
47/64	.734	18.653
—	.7480	19.0
3/4	.750	19.050
49/64	.7656	19.447
25/32	.781	19.844
—	.7874	20.0
51/64	.797	20.241

Inches		Millimeters
Fractions	Decimals	
13/16	.8125	20.638
—	.8268	21.0
53/64	.828	21.034
27/32	.844	21.431
55/64	.859	21.828
—	.8661	22.0
7/8	.875	22.225
57/64	.8906	22.622
—	.9055	23.0
29/32	.9062	23.019
59/64	.922	23.416
15/16	.9375	23.813
—	.9449	24.0
61/64	.953	24.209
31/32	.969	24.606
—	.9843	25.0
63/64	.9844	25.003
1	1.000	25.400
—	1.0236	26.0
1-1/32	1.0312	26.194
1-1/16	1.062	26.988
—	1.063	27.0
1-3/32	1.094	27.781
—	1.1024	28.0
1-1/8	1.125	28.575
—	1.1417	29.0
1-5/32	1.156	29.369
—	1.1811	30.0
1-3/16	1.1875	30.163
1-7/32	1.219	30.956
—	1.2205	31.0
1-1/4	1.250	31.750
—	1.2598	32.0
1-9/32	1.281	32.544
—	1.2992	33.0
1-5/16	1.312	33.338
—	1.3386	34.0
1-11/32	1.344	34.131
1-3/8	1.375	34.925
—	1.3779	35.0
1-13/32	1.406	35.719
—	1.4173	36.0
1-7/16	1.438	36.513
—	1.4567	37.0
1-15/32	1.469	37.306

Inches		Millimeters
Fractions	Decimals	
—	1.4961	38.0
1-1/2	1.500	38.100
1-17/32	1.531	38.894
—	1.5354	39.0
1-9/16	1.562	39.688
—	1.5748	40.0
1-19/32	1.594	40.481
—	1.6142	41.0
1-5/8	1.625	41.275
—	1.6535	42.0
1-21/32	1.6562	42.069
1-11/16	1.6875	42.863
—	1.6929	43.0
1-23/32	1.719	43.656
—	1.7323	44.0
1-3/4	1.750	44.450
—	1.7717	45.0
1-25/32	1.781	45.244
—	1.8110	46.0
1-13/16	1.8125	46.038
1-27/32	1.844	46.831
—	1.8504	47.0
1-7/8	1.875	47.625
—	1.8898	48.0
1-29/32	1.9062	48.419
—	1.9291	49.0
1-15/16	1.9375	49.213
—	1.9685	50.0
1-31/32	1.969	50.006
2	2.000	50.800
—	2.0079	51.0
2-1/32	2.03125	51.594
—	2.0472	52.0
2-1/6	2.062	52.388
—	2.0866	53.0
2-3/32	2.094	53.181
2-1/8	2.125	53.975
—	2.126	54.0
2-5/32	2.156	54.769
—	2.165	55.0
2-3/16	2.1875	55.563
—	2.2047	56.0
2-7/32	2.219	56.356
—	2.244	57.0
2-1/4	2.250	57.150

METRIC/INCH CONVERSION TABLE

Inches		Millimeters
Fractions	Decimals	
2-9/32	2.281	57.944
—	2.2835	58.0
2-5/16	2.312	58.738
—	2.3228	59.0
2-11/32	2.344	59.531
—	2.3622	60.0
2-3/8	2.375	60.325
—	2.4016	61.0
2-13/32	2.406	61.119
2-7/16	2.438	61.913
—	2.4409	62.0
2-15/32	2.469	62.706
—	2.4803	63.0
2-1/2	2.500	63.500
—	2.5197	64.0
2-17/32	2.531	64.294
—	2.559	65.0
2-9/16	2.562	65.088
2-19/32	2.594	65.881
—	2.5984	66.0
2-5/8	2.625	66.675
—	2.638	67.0
2-21/32	2.656	67.469
—	2.6772	68.0
2-11/16	2.6875	68.263
—	2.7165	69.0
2-23/32	2.719	69.056
2-3/4	2.750	69.850
—	2.7559	70.0
2-25/32	2.781	70.6439
—	2.7953	71.0
2-13/16	2.8125	71.4376
—	2.8346	72.0
2-27/32	2.844	72.2314
—	2.8740	73.0
2-7/8	2.875	73.025
2-29/32	2.9062	73.819
—	2.9134	74.0
2-15/16	2.9375	74.613
—	2.9527	75.0
2-31/32	2.969	75.406
—	2.9921	76.0
3	3.000	76.200
3-1/32	3.0312	76.994
—	3.0315	77.0

Inches		Millimeters
Fractions	Decimals	
3-1/16	3.062	77.788
—	3.0709	78.0
3-3/32	3.094	78.581
—	3.1102	79.0
3-1/8	3.125	79.581
—	3.1496	80.0
3-5/32	3.156	80.169
3-3/16	3.1875	80.963
—	3.1890	81.0
3-7/32	3.219	81.756
—	3.2283	82.0
3-1/4	3.250	82.550
—	3.2677	83.0
3-9/32	3.281	83.344
—	3.3071	84.0
3-5/16	3.312	84.1377
3-11/32	3.344	84.9314
—	3.3464	85.0
3-3/8	3.375	85.725
—	3.3858	86.0
3-13/32	3.406	86.519
—	3.4252	87.0
3-7/16	3.438	87.313
—	3.4648	88.0
3-15/32	3.469	88.108
3-1/2	3.500	88.900
—	3.5039	89.0
3-17/32	3.531	89.694
—	3.5433	90.0
3-9/16	3.562	90.4877
—	3.5827	91.0
3-19/32	3.594	91.281
—	3.622	92.0
3-5/8	3.625	92.075
3-21/32	3.656	92.869
—	3.6614	93.0
3-11/16	3.6875	93.663
—	3.7008	94.0
3-23/32	3.719	94.456
—	3.7401	95.0
3-3/4	3.750	95.250
—	3.7795	96.0
3-25/32	3.781	96.044
3-13/16	3.8125	96.838
—	3.8189	97.0

Inches		Millimeters
Fractions	Decimals	
3-27/32	3.844	97.631
—	3.8583	98.0
3-7/8	3.875	98.425
—	3.8976	99.0
3-29/32	3.9062	99.219
—	3.9370	100.0
3-15/16	3.9375	100.013
3-31/32	3.969	100.806
—	3.9764	101.0
4	4.000	101.600
4-1/16	4.062	103.188
4-1/8	4.125	104.775
—	4.1338	105.0
4-3/16	4.1875	106.363
4-1/4	4.250	107.950
4-5/16	4.312	109.538
—	4.3307	110.0
4-3/8	4.375	111.125
4-7/16	4.438	112.713
4-1/2	4.500	114.300
—	4.5275	115.0
4-9/16	4.562	115.888
4-5/8	4.625	117.475
4-11/16	4.6875	119.063
—	4.7244	120.0
4-3/4	4.750	120.650
4-13/16	4.8125	122.238
4-7/8	4.875	123.825
—	4.9212	125.0
4-15/16	4.9375	125.413
5	5.000	127.000
—	5.1181	130.0
5-1/4	5.250	133.350
5-1/2	5.500	139.700
—	5.5118	140.0
5-3/4	5.750	146.050
—	5.9055	150.0
6	6.000	152.400
6-1/4	6.250	158.750
—	6.2992	160.0
6-1/2	6.500	165.100
—	6.6929	170.0
6-3/4	6.750	171.450
7	7.000	177.800
—	7.0866	180.0

Inches		Millimeters
Fractions	Decimals	
—	7.4803	190.0
7-1/2	7.500	190.500
—	7.8740	200.0
8	8.000	203.200
—	8.2677	210.0
8-1/2	8.500	215.900
—	8.6614	220.0
9	9.000	228.600
—	9.0551	230.0
—	9.4488	240.0
9-1/2	9.500	241.300
—	9.8425	250.0
10	10.000	254.001
—	10.2362	260.0
—	10.6299	270.0
11	11.000	279.401
—	11.0236	280.0
—	11.4173	290.0
—	11.8110	300.0
12	12.000	304.801
13	13.000	330.201
—	13.7795	350.0
14	14.000	355.601
15	15.000	381.001
—	15.7480	400.0
16	16.000	406.401
17	17.000	431.801
—	17.7165	450.0
18	18.000	457.201
19	19.000	482.601
—	19.6850	500.0
20	20.000	508.001

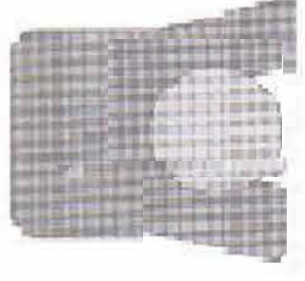


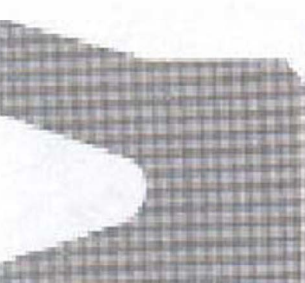



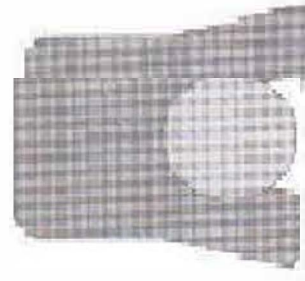


PRECISION SEALS, INC.

PROFILE INDEX




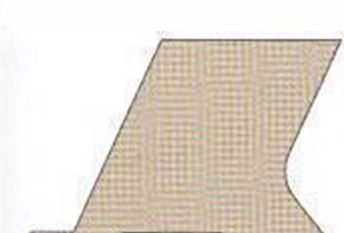
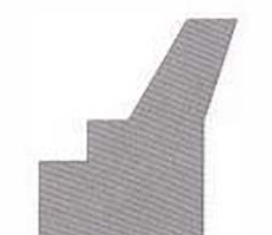









THANK YOU FOR YOUR BUSINESS!

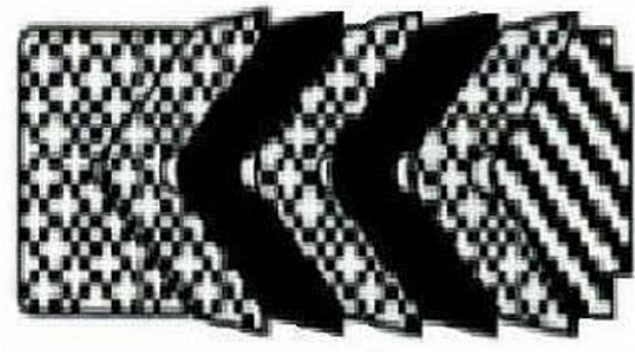







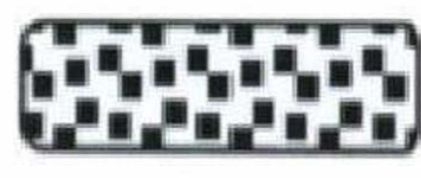
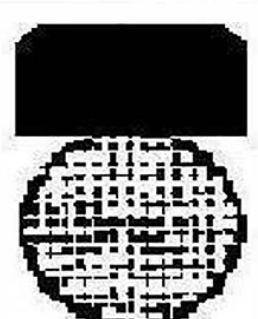
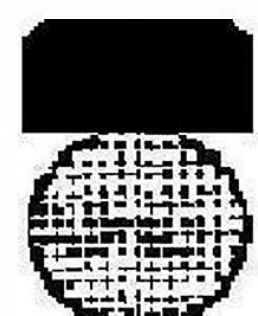


Sealing Profiles

Type	Profile	Name	Material Options	Page
U-CUPS (Hydraulic)		Loaded U-Cups	Polyurethane	2
		005 Symmetrical Seals	Polyurethane Elastomer	20
		002 Piston Seals	Polyurethane Elastomer	32
		001 Rod Seals	Polyurethane Elastomer	36
		Unloaded 605 Rod U-Cups	Hythane 181	42
		Unloaded 601 Symmetrical U-Cups	Hythane 181	47
		Loaded High Pressure 621 Rod Seals	Polyurethane Hythane 181	50
U-CUPS (Air)		Loaded U-Cups	Fluorocarbon	53
		Huva Cups Square and AN Style	Nitrile	58
		"AN" Rod Wipers	Polyurethane Fluorocarbon	63 66

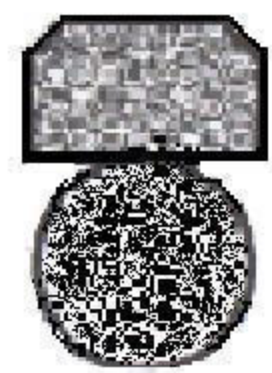
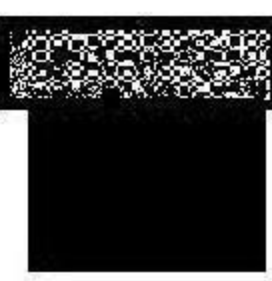
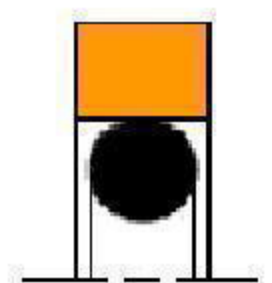
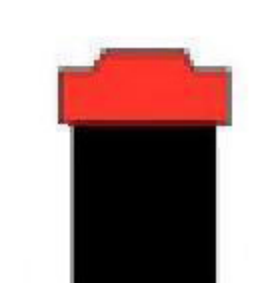









Sealing Profiles

Type	Profile	Name	Material Options	Page
ROD WIPERS		Brass Rod Wipers	Brass	68
		"D" Style Rod Wipers	Polyurethane Fluorocarbon	69 73
		"H" Style Rod Wipers	Polyurethane Fluorocarbon	75 77
		"K" Style Rod Wipers	Polyurethane	79
		"BT" Style Rod Wipers	Polyurethane	80
		Seal Guards	Brass	81
		"CWN" Style Metal Case Wiper	Metal / Nitrile	83
		"CWU" Style Metal Case Wiper	Metal / Urethane	85
		Oil Seals	Rubber Coated with Spring	87
		9250 Rod Buffer	Polyurethane	90
		Caterpillar® Buffer Seals	2-pc Bronze with Nitrile Expander	91
	"SS" Bronze Buffer Seals	2-pc Bronze with Nitrile Energizer	92	



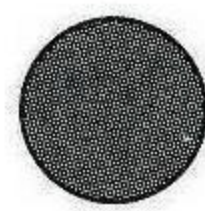

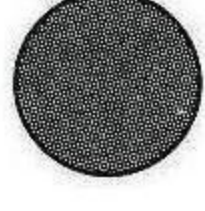
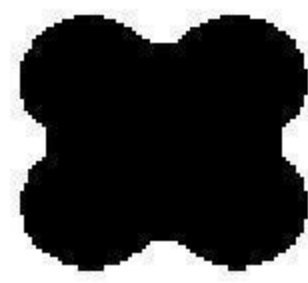







Sealing Profiles

Type	Profile	Name	Material Options	Page
VEE-PACKING		Type 13 Cheveron Style Vee Packing	Rubber / Fabric Polyacetal	95
ROD / PISTON SEALS		T-Piston Seals	Buna-N / Nylon	102
		T-Piston Seals Wide Based	Buna-N / Nylon	104
		T-Rod Seals	Buna-N / Nylon	105
PISTON CUPS		Fabric Piston Cup	Fabric / Rubber	108
		Rubber Piston Cup	Rubber	110
PNEUMATIC CUSHION SEALS		Type 667 Hallite Cushion seal	Hythane	112
WEAR RINGS		Wear Rings	Glass Filled Nylon	113
		Wear Band Tapes	Bronze Filled PTFE	118
PISTON SEALS		1400 Series	Teflon / Buna-N	121
		1600 Series	Teflon / Buna-N	123
		1800 Series	Teflon with Buna-N O-ring	124
		1800 Bronze Series	Bronze filled Teflon with Buna-N O-ring	126

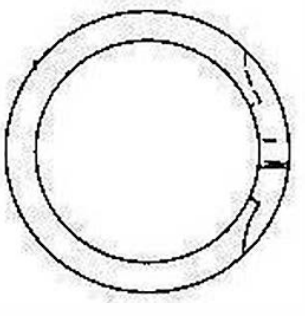
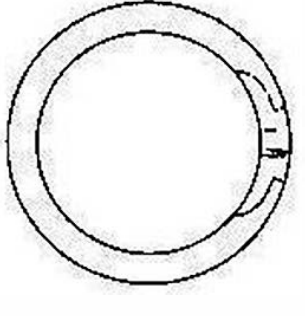


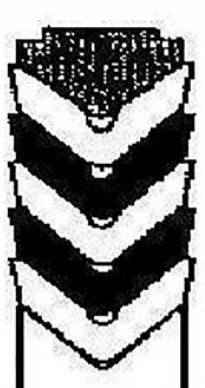
Sealing Profiles

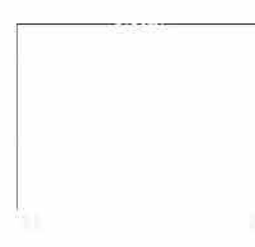
Type	Profile	Name	Material Options	Page
PISTON SEALS		PSA "24" Series Piston Seals	Bronze with Nitrile Energizer	128
		Caterpillar® 2-pc Piston Seals	Teflon with Square Cut Nitrile Energizer	129
		1704 Poly-Hone Piston Seals	Polyester with Nitrile Energizer	130
		755 Piston Seals preloaded w/O-ring	Urethane with Square Cut Buna-N Expander	131
		770 Compact Piston Seals	Polyurethane with Square Cut Buna-N Exp	134
		714 Double-Acting Piston Seals	Nylon Seal with Buna-N Square Cut Energizer	136
		735 Capped T-Seals	Bronze filled PTFE Cap Ring NBR Energizer Thermoplastic Split Rings	138
		PSQ Bronze filled Piston Seals	Bronze Filled Buna Energizer	141
		Uni-Ring Piston Seals	Polyurethane	143
		Piston Crown Seals	Polyurethane Seal with Nitrile Energizer	145
		Type "53" Piston Seals 5/pc Assemblies	Nitrile Rubber Seal Polymar Rings	146
		Type "58" Piston Seals 3/pc Assemblies	Rubber & Fabric with Polyacetal Bearings	148
		Type "65" Piston Seals 3/pc Assemblies	Nitrile Rubber Seal with Polyacetal Bearings	151

Sealing Profiles

Type	Profile	Name	Material Options	Page
PISTON SEALS		Cast Iron Piston Rings	Cast Iron	153
O-RINGS		70 Durometer O-Rings	Buna-Nitrile	156
		90 Durometer O-Rings	Buna-Nitrile	165
		90 Durometer Boss O-Rings	Buna-Nitrile	172
		Fluorocarbon O-Rings 75 Durometer	Fluorocarbon	173
		Quad Rings 70 Durometer	Buna-Nitrile	182
		Lathe Cut Rings 70 Durometer	Buna-Nitrile	186
BACK-UPS		Back-Up Rings 90 Durometer	Buna-Nitrile	189
		Teflon Back-Up Rings	Teflon-PTFE	198
PLASTIC CAPS		Flange Plugs	Low-Density Polyethylene	205
		Threaded "T" Plugs	Low-Density Polyethylene	206
		Threaded "R" Plugs	High-Density Polyethylene	207
		Dual Function Caps / Plugs	Low-Density Polyethylene	208

Sealing Profiles

Type	Profile	Name	Material Options	Page
RETAINING RINGS		Internal Retaining Rings		209
		External Retaining Rings		215
TELESCOPIC PACKING		Commercial [®] Packing	[®] Brand names used for reference purposes only. No representation is made that these parts are manufactured by the companies listed.	219
		Custom Hoists [®] Packing		220
		Hyco [®] Packing		221

Type	Profile	Name	Material Options	Page
MISCELLANEOUS ITEMS		O-Ring Kits Back-Up Kits		224 228
		Measurement Instruments		228

Rod/Piston seals

TECHNICAL DETAILS

OPERATING CONDITIONS

MAXIMUM SPEED
TEMPERATURE RANGE
MAXIMUM PRESSURE

0.5 m/sec
-40°C + 110°C
350 bar

1.5 ft/sec
-40°F + 230°F
5000 p.s.i.

MAXIMUM EXTRUSION GAP

(1/4" section and above)

PRESSURE bar
PRESSURE p.s.i.
MAXIMUM GAP in

Figures show the maximum permissible gap all on one side, for rod seals using minimum rod \varnothing and maximum clearance \varnothing and for piston seals using the minimum clearance \varnothing and maximum bore \varnothing

160	250	350
2400	3750	5000
0.024	0.020	0.016

SURFACE ROUGHNESS

DYNAMIC SEALING FACE $\varnothing d_1$
STATIC SEALING FACE $\varnothing D_1$
STATIC HOUSING FACES L:

μmRa	μmRt	μinCLA	μinRMS
0.1 ↔ 0.4	4 max	4 ↔ 16	5 ↔ 18
1.6 max	10 max	63 max	70 max
3.2 max	16 max	125 max	140 max

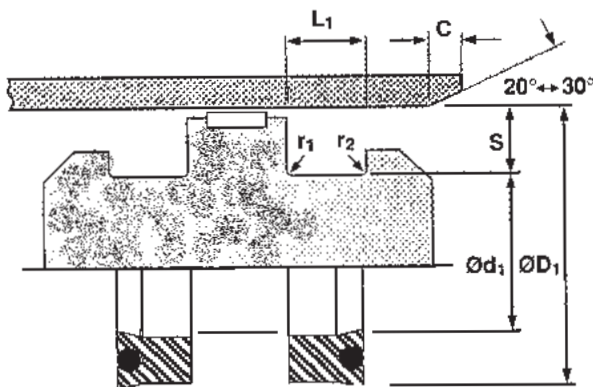
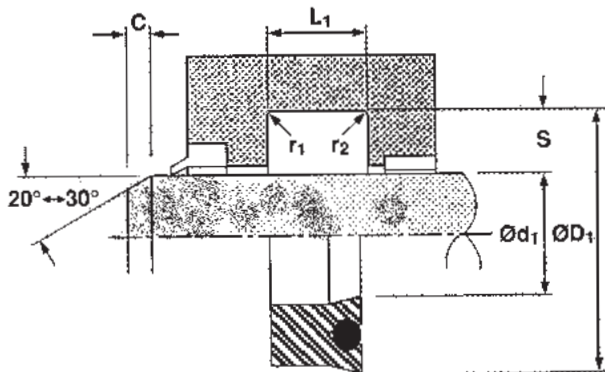
CHAMFERS & RADII

GROOVE SECTION $\leq S$ in
MIN CHAMFER C in
MAX FILLET RAD r_1 in
MAX FILLET RAD r_2 in

0.125	0.187	0.250	0.312	0.375	0.500
0.093	0.093	0.125	0.156	0.187	0.187
0.008	0.008	0.016	0.032	0.032	0.032
0.016	0.016	0.032	0.047	0.047	0.047

TOLERANCES

Please refer to specified tolerances in the introduction
- Housing & installation data - Hallite 500 Series



POLYS

DESIGN

The Hallite 512 is a standard profile loaded U cup utilising a polyurethane or polyester shell energised by a high specification O ring.

At zero or low pressure, the O ring helps to increase the sealing force, preventing any by-pass. As pressure rises, so the sealing force increases, with the O ring ensuring complete lip actuation under most conditions.

The deep profile of this seal provides extra stability needed to resist rolling in the groove and together with the knife trimmed precision sealing lips, the results are improved life and sealing. The 512 can be used for single acting applications or fitted back to back for double acting applications. Although it can also be used as a rod seal, Other profiles like 513, 605 or 621 are a better option. Technical details shown are for standard material option.

FEATURES

- FLEXIBLE FOR EASY INSTALLATION
- EXCELLENT RESISTANCE TO ABRASION
- POSITIVE LIP ACTUATION
- DEEP PROFILE FOR STABILITY
- WIDE RANGE OF SIZES AND MATERIAL OPTIONS

MATERIALS

Seal material - O-Ring

last digit of part number

Standard material:

Polyurethane - NBR

----- 10

Material options:

Polyester - NBR

----- 11

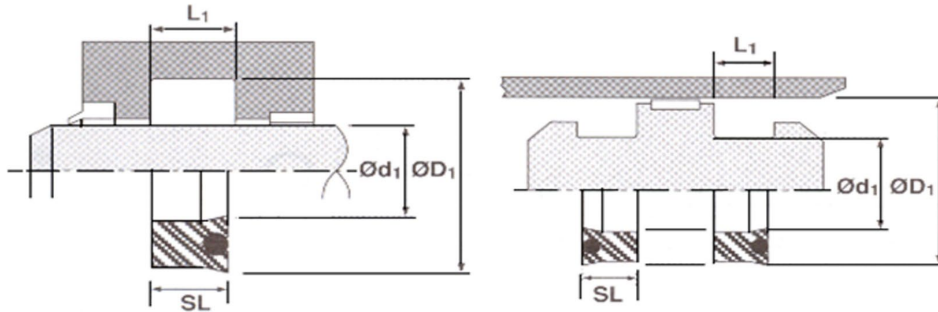
Polyester - FKM

----- 12

Hallite 361 - NBR

----- 16

POLYURETHANE U-SEALS



POLY PACKS

ITEM DESCRIPTION	SIZE	DIMENSIONS			LIST PRICE	UOM
		I.D.	O.D.	HGT		
1250-0125 POLY	1/8 X 3/8 X 1/8	0.125	0.375	0.125	\$3.31	EA
1250-0125-250 B POLY	1/8 X 3/8 X 1/4 B	0.125	0.375	0.250	\$3.31	EA
1250-0187 POLY	3/16 X 7/16 X 1/8	0.187	0.437	0.125	\$3.31	EA
1250-0187-250 B POLY	3/16 X 7/16 X 1/4 B	0.187	0.437	0.250	\$3.31	EA
1870-0187 POLY	3/16 X 9/16 X 3/16	0.187	0.562	0.187	\$3.31	EA
1250-0250 POLY	1/4 X 1/2 X 1/8	0.250	0.500	0.125	\$3.31	EA
1250-0250-187 B POLY	1/4 X 1/2 X 3/16 B	0.250	0.500	0.187	\$3.50	EA
1250-0250-250 B POLY	1/4 X 1/2 X 1/4 B	0.250	0.500	0.250	\$3.50	EA
1870-0250 POLY	1/4 X 5/8 X 3/16	0.250	0.625	0.187	\$3.59	EA
2500-0250 POLY	1/4 X 3/4 X 1/4	0.250	0.750	0.250	\$4.21	EA
2500-0250-375 B POLY	1/4 X 3/4 X 3/8 B	0.250	0.750	0.375	\$4.54	EA
1250-0312 POLY	5/16 X 9/16 X 1/8	0.312	0.562	0.125	\$5.79	EA
1250-0312-250 B POLY	5/16 X 9/16 X 1/4 B	0.312	0.562	0.250	\$3.44	EA
1870-0312 B POLY	5/16 X 11/16 X 3/16 B	0.312	0.687	0.187	\$3.44	EA
1870-0312 STD POLY	5/16 X 11/16 X 3/16	0.312	0.687	0.187	\$3.44	EA
1870-0312-312 B POLY	5/16 X 11/16 X 5/16 B	0.312	0.687	0.312	\$3.93	EA
2500-0312 POLY	5/16 X 13/16 X 1/4	0.312	0.812	0.250	\$4.13	EA
1250-0375 POLY	3/8 X 5/8 X 1/8	0.375	0.625	0.125	\$3.31	EA
1250-0375-250 B POLY	3/8 X 5/8 X 1/4 B	0.375	0.625	0.250	\$3.50	EA
1870-0375 POLY	3/8 X 3/4 X 3/16	0.375	0.750	0.187	\$3.50	EA
1870-0375-312 B POLY	3/8 X 3/4 X 5/16 B	0.375	0.750	0.312	\$3.50	EA
2500-0375 POLY	3/8 X 7/8 X 1/4	0.375	0.875	0.250	\$4.54	EA
3120-0375 POLY	3/8 X 1-0 X 5/16	0.375	1.000	0.312	\$5.21	EA
1250-0437 POLY	7/16 X 11/16 X 1/8	0.437	0.687	0.125	\$3.14	EA
1250-0437-250 B POLY	7/16 X 11/16 X 1/4 B	0.437	0.687	0.250	\$3.73	EA
1560-0437 POLY	7/16 X 3/4 X 5/32	0.437	0.750	0.156	\$3.73	EA
1870-0437 POLY	7/16 X 13/16 X 3/16	0.437	0.812	0.187	\$5.16	EA
1870-0437-312 B POLY	7/16 X 13/16 X 5/16 B	0.437	0.812	0.312	\$3.93	EA
2500-0437 POLY	7/16 X 15/16 X 1/4	0.437	0.937	0.250	\$5.31	EA
2500-0437-375 B POLY	7/16 X 15/16 X 3/8 B	0.437	0.937	0.375	\$4.56	EA
3120-0437 POLY	7/16 X 1-1/16 X 5/16	0.437	1.062	0.312	\$4.70	EA
1250-0500 POLY	1/2 X 3/4 X 1/8	0.500	0.750	0.125	\$3.31	EA
1250-0500-250 B POLY	1/2 X 3/4 X 1/4 B	0.500	0.750	0.250	\$3.80	EA
1870-0500 POLY	1/2 X 7/8 X 3/16	0.500	0.875	0.187	\$3.80	EA
1870-0500-250 B POLY	1/2 X 7/8 X 1/4 B	0.500	0.875	0.250	\$3.80	EA
1870-0500-312 B POLY	1/2 X 7/8 X 5/16 B	0.500	0.875	0.312	\$3.80	EA
2500-0500 POLY	1/2 X 1-0 X 1/4	0.500	1.000	0.250	\$4.54	EA
2500-0500-375 B POLY	1/2 X 1-0 X 3/8 B	0.500	1.000	0.375	\$4.92	EA

POLY PACKS

ITEM DESCRIPTION	SIZE	DIMENSIONS			LIST PRICE	UOM
		I.D.	O.D.	HGT		
3120-0500 POLY	1/2 X 1-1/8 X 5/16	0.500	1.125	0.312	\$4.92	EA
3750-0500 POLY	1/2 X 1-1/4 X 3/8	0.500	1.250	0.375	\$5.72	EA
1250-0562 POLY	9/16 X 13/16 X 1/8	0.562	0.812	0.125	\$3.35	EA
1250-0562-250 B POLY	9/16 X 13/16 X 1/4	0.562	0.812	0.250	\$3.13	EA
1870-0562 POLY	9/16 X 15/16 X 3/16	0.562	0.937	0.187	\$3.69	EA
1250-0625 POLY	5/8 X 7/8 X 1/8	0.625	0.875	0.125	\$3.39	EA
1250-0625-187 B POLY	5/8 X 7/8 X 3/16 B	0.625	0.875	0.187	\$3.99	EA
1250-0625-250 B POLY	5/8 X 7/8 X 1/4 B	0.625	0.875	0.250	\$3.99	EA
1870-0625 POLY	5/8 X 1-0 X 3/16	0.625	1.000	0.187	\$3.99	EA
1870-0625-312 B POLY	5/8 X 1-0 X 5/16 B	0.625	1.000	0.312	\$4.10	EA
2500-0625 POLY	5/8 X 1-1/8 X 1/4	0.625	1.125	0.250	\$4.54	EA
2500-0625-312 B POLY	5/8 X 1-1/8 X 5/16 B	0.625	1.125	0.312	\$4.92	EA
2500-0625-375 B POLY	5/8 X 1-1/8 X 3/8 B	0.625	1.125	0.375	\$4.92	EA
3120-0625 POLY	5/8 X 1-1/4 X 5/16	0.625	1.250	0.312	\$4.92	EA
3750-0625 POLY	5/8 X 1-3/8 X 3/8	0.625	1.375	0.375	\$6.24	EA
5000-0625 POLY	5/8 X 1-5/8 X 1/2	0.625	1.625	0.500	\$8.37	EA
1250-0687 POLY	11/16 X 15/16 X 1/8	0.687	0.937	0.125	\$5.09	EA
1250-0687-250 B POLY	11/16 X 15/16 X 1/4 B	0.687	0.937	0.250	\$6.78	EA
1870-0687 POLY	11/16 X 1-1/16 X 3/16	0.687	1.062	0.187	\$6.07	EA
2500-0687 POLY	11/16 X 1-3/16 X 1/4	0.687	1.187	0.250	\$4.34	EA
1250-0750 POLY	3/4 X 1-0 X 1/8	0.750	1.000	0.125	\$3.47	EA
1250-0750-187 B POLY	3/4 X 1-0 X 3/16 B	0.750	1.000	0.187	\$6.47	EA
1250-0750-250 B POLY	3/4 X 1-0 X 1/4 B	0.750	1.000	0.250	\$4.10	EA
1560-0750-156 B POLY	3/4 X 1-1/16 X 5/32	0.750	1.125	0.207	\$4.28	EA
1870-0750 SQB POLY	3/4 X 1-1/8 X 3/16	0.750	1.125	0.187	\$4.28	EA
1870-0750 STD POLY	3/4 X 1-1/8 X 3/16	0.750	1.125	0.187	\$4.28	EA
1870-0750-250 B POLY	3/4 X 1-1/8 X 1/4 B	0.750	1.125	0.250	\$4.28	EA
1870-0750-312 B POLY	3/4 X 1-1/8 X 5/16 B	0.750	1.125	0.312	\$4.28	EA
1870-0750-375 B POLY	3/4 X 1-1/8 X 3/8 B	0.750	1.125	0.375	\$4.28	EA
2500-0750 POLY	3/4 X 1-1/4 X 1/4	0.750	1.250	0.250	\$4.54	EA
2500-0750-375 B POLY	3/4 X 1-1/4 X 3/8 B	0.750	1.250	0.375	\$4.92	EA
3120-0750 POLY	3/4 X 1-3/8 X 5/16	0.750	1.375	0.312	\$4.92	EA
3120-0750-500 B POLY	3/4 X 1-3/8 X 1/2 B	0.750	1.375	0.500	\$5.34	EA
3750-0750 POLY	3/4 X 1-1/2 X 3/8	0.750	1.500	0.375	\$6.35	EA
3750-0750-625 POLY	3/4 X 1-1/2 X 5/8	0.750	1.500	0.625	\$6.35	EA
1250-0812 POLY	13/16 X 1-1/16 X 1/8	0.812	1.062	0.125	\$3.85	EA
1870-0812 POLY	13/16 X 1-3/16 X 3/16	0.812	1.187	0.187	\$3.85	EA
2500-0812 POLY	13/16 X 1-5/16 X 1/4	0.812	1.312	0.250	\$4.41	EA
2500-0812-375 B POLY	13/16 X 1-5/16 X 3/8 B	0.812	1.312	0.375	\$4.65	EA
1250-0875 POLY	7/8 X 1-1/8 X 1/8	0.875	1.125	0.125	\$3.69	EA
1250-0875-187 B POLY	7/8 X 1-1/8 X 3/16 B	0.875	1.125	0.187	\$3.93	EA
1250-0875-250 B POLY	7/8 X 1-1/8 X 1/4 B	0.875	1.125	0.250	\$4.28	EA
1250-0875-375 B POLY	7/8 X 1-1/8 X 3/8 B	0.875	1.125	0.375	\$4.66	EA
1870-0875 POLY	7/8 X 1-1/4 X 3/16	0.875	1.250	0.187	\$4.66	EA
1870-0875-250 B POLY	7/8 X 1-1/4 X 1/4 B	0.875	1.250	0.250	\$4.66	EA
1870-0875-312 B POLY	7/8 X 1-1/4 X 5/16 B	0.875	1.250	0.312	\$4.66	EA
1870-0875-375 POLY	7/8 X 1-1/4 X 3/8	0.875	1.250	0.375	\$4.66	EA
2500-0875 POLY	7/8 X 1-3/8 X 1/4	0.875	1.375	0.250	\$4.66	EA
2500-0875-312 B POLY	7/8 X 1-3/8 X 5/16 B	0.875	1.375	0.312	\$5.07	EA

POLY PACKS

ITEM DESCRIPTION	SIZE	DIMENSIONS			LIST PRICE	UOM
		I.D.	O.D.	HGT		
2500-0875-312 STD POLY	7/8 X 1-3/8 X 5/16	0.875	1.375	0.312	\$5.07	EA
2500-0875-375 B POLY	7/8 X 1-3/8 X 3/8 B	0.875	1.375	0.375	\$5.07	EA
2500-0875-375 STD POLY	7/8 X 1-3/8 X 3/8	0.875	1.375	0.375	\$5.07	EA
3120-0875 POLY	7/8 X 1-1/2 X 5/16	0.875	1.500	0.312	\$5.21	EA
3120-0875-375 B POLY	7/8 X 1-1/2 X 3/8 B	0.875	1.500	0.375	\$6.03	EA
3750-0875 POLY	7/8 X 1-5/8 X 3/8	0.875	1.625	0.375	\$6.53	EA
1250-0937 POLY	15/16 X 1-3/16 X 1/8	0.937	1.187	0.125	\$3.62	EA
1250-0937-250 B POLY	15/16 X 1-3/16 X 1/4 B	0.937	1.187	0.250	\$4.34	EA
1560-0937 POLY	15/16 X 1-1/4 X 3/16	0.937	1.250	0.187	\$4.34	EA
1870-0937 POLY	15/16 X 1-5/16 X 3/16	0.937	1.312	0.187	\$4.34	EA
1870-0937-312 B POLY	15/16 X 1-5/16 X 5/16 B	0.937	1.312	0.312	\$4.62	EA
2500-0937 POLY	15/16 X 1-7/16 X 1/4	0.937	1.437	0.250	\$6.69	EA
1250-1000 POLY	1-0 X 1-1/4 X 1/8	1.000	1.250	0.125	\$3.80	EA
1250-1000-187 B POLY	1-0 X 1-1/4 X 3/16 B	1.000	1.250	0.187	\$4.47	EA
1250-1000-250 B POLY	1-0 X 1-1/4 X 1/4 B	1.000	1.250	0.250	\$4.47	EA
1250-1000-312 POLY	1-0 X 1-1/4 X 5/16	1.000	1.250	0.312	\$2.85	EA
1250-1000-375 B POLY	1-0 X 1-1/4 X 3/8 B	1.000	1.250	0.375	\$4.47	EA
1560-1000 POLY	1-0 X 1-5/16 X 5/32	1.000	1.312	0.156	\$9.12	EA
1870-1000 SQB POLY	1-0 X 1-3/8 X 3/16 B	1.000	1.375	0.187	\$4.74	EA
1870-1000 STD POLY	1-0 X 1-3/8 X 3/16	1.000	1.375	0.187	\$4.74	EA
1870-1000-250 B POLY	1-0 X 1-3/8 X 1/4 B	1.000	1.375	0.250	\$4.74	EA
1870-1000-312 B POLY	1-0 X 1-3/8 X 5/16 B	1.000	1.375	0.312	\$4.74	EA
2500-1000 POLY	1-0 X 1-1/2 X 1/4	1.000	1.500	0.250	\$4.66	EA
2500-1000-312 B POLY	1-0 X 1-1/2 X 5/16 B	1.000	1.500	0.312	\$5.25	EA
2500-1000-375 B POLY	1-0 X 1-1/2 X 3/8 B	1.000	1.500	0.375	\$5.25	EA
3120-1000 POLY	1-0 X 1-5/8 X 5/16	1.000	1.625	0.312	\$5.49	EA
3120-1000-375 B POLY	1-0 X 1-5/8 X 3/8 B	1.000	1.625	0.375	\$5.98	EA
3120-1000-500 B POLY	1-0 X 1-5/8 X 1/2 B	1.000	1.625	0.500	\$5.98	EA
3750-1000 POLY	1-0 X 1-3/4 X 3/8	1.000	1.750	0.375	\$7.20	EA
1250-1062 POLY	1-1/16 X 1-5/16 X 1/8	1.062	1.312	0.125	\$3.91	EA
1250-1062-250 B POLY	1-1/16 X 1-5/16 X 1/4 B	1.062	1.312	0.250	\$4.58	EA
1870-1062 POLY	1-1/16 X 1-7/16 X 3/16	1.062	1.437	0.187	\$4.58	EA
1870-1062-312 B POLY	1-1/16 X 1-7/16 X 5/16 B	1.062	1.437	0.312	\$4.84	EA
2500-1062 POLY	1-1/16 X 1-9/16 X 1/4	1.062	1.562	0.250	\$4.97	EA
3120-1062 POLY	1-1/16 X 1-11/16 X 5/16	1.062	1.687	0.312	\$9.70	EA
1250-1125 B POLY	1-1/8 X 1-3/8 X 1/8 B	1.125	1.375	0.125	\$4.07	EA
1250-1125 STD POLY	1-1/8 X 1-3/8 X 1/8	1.125	1.375	0.125	\$4.07	EA
1250-1125-187 B POLY	1-1/8 X 1-3/8 X 3/16 B	1.125	1.375	0.187	\$4.45	EA
1250-1125-250 B POLY	1-1/8 X 1-3/8 X 1/4 B	1.125	1.375	0.250	\$6.47	EA
1250-1125-312 B POLY	1-1/8 X 1-3/8 X 5/16 B	1.125	1.375	0.312	\$4.69	EA
1870-1125 POLY	1-1/8 X 1-1/2 X 3/16	1.125	1.500	0.187	\$4.84	EA
1870-1125-250 B POLY	1-1/8 X 1-1/2 X 1/4 B	1.125	1.500	0.250	\$4.92	EA
1870-1125-312 B POLY	1-1/8 X 1-1/2 X 5/16 B	1.125	1.500	0.312	\$4.92	EA
1870-1125-375 B POLY	1-1/8 X 1-1/2 X 3/8 B	1.125	1.500	0.375	\$4.99	EA
2500-1125 SQB POLY	1-1/8 X 1-1/2 X 3/8 B	1.125	1.500	0.375	\$5.26	EA
2500-1125 STD POLY	1-1/8 X 1-5/8 X 1/4	1.125	1.625	0.250	\$5.26	EA
2500-1125-375 B POLY	1-1/8 X 1-5/8 X 3/8 B	1.125	1.625	0.375	\$5.26	EA
3120-1125 POLY	1-1/8 X 1-3/4 X 5/16	1.125	1.750	0.312	\$5.55	EA

POLY PACKS

ITEM DESCRIPTION	SIZE	DIMENSIONS			LIST PRICE	UOM
		I.D.	O.D.	HGT		
3120-1125-375 B POLY	1-1/8 X 1-3/4 X 3/8 B	1.125	1.750	0.375	\$5.63	EA
3120-1125-500 B POLY	1-1/8 X 1-3/4 X 1/2 B	1.125	1.750	0.500	\$6.12	EA
3750-1125 POLY	1-1/8 X 1-7/8 X 3/8	1.125	1.875	0.375	\$6.98	EA
1250-1187 POLY	1-3/16 X 1-7/16 X 1/8	1.187	1.437	0.125	\$3.91	EA
1250-1187-250 B POLY	1-3/16 X 1-7/16 X 1/4 B	1.187	1.437	0.250	\$4.74	EA
1560-1187 POLY	1-3/16 X 1-1/2 X 5/32	1.187	1.500	0.156	\$8.00	EA
1870-1187 POLY	1-3/16 X 1-9/16 X 3/16	1.187	1.562	0.187	\$4.81	EA
1870-1187-312 B POLY	1-3/16 X 1-9/16 X 5/16 B	1.187	1.562	0.312	\$4.95	EA
2500-1187 POLY	1-3/16 X 1-11/16 X 1/4	1.187	1.687	0.250	\$6.91	EA
1250-1250 SQB POLY	1-1/4 X 1-1/2 X 1/8	1.250	1.500	0.125	\$3.52	EA
1250-1250 STD POLY	1-1/4 X 1-1/2 X 1/8	1.250	1.500	0.125	\$4.14	EA
1250-1250-187 B POLY	1-1/4 X 1-1/2 X 3/16 B	1.250	1.500	0.187	\$4.84	EA
1250-1250-250 B POLY	1-1/4 X 1-1/2 X 1/4 B	1.250	1.500	0.250	\$4.84	EA
1560-1250 POLY	1-1/4 X 1-9/16 X 5/32	1.250	1.562	0.156	\$5.48	EA
1870-1250 SQB POLY	1-1/4 X 1-5/8 X 3/16 SQB	1.250	1.625	0.187	\$4.63	EA
1870-1250 STD POLY	1-1/4 X 1-5/8 X 3/16	1.250	1.625	0.187	\$4.63	EA
1870-1250-250 B POLY	1-1/4 X 1-5/8 X 1/4 B	1.250	1.625	0.250	\$5.10	EA
1870-1250-312 B POLY	1-1/4 X 1-5/8 X 5/16 B	1.250	1.625	0.312	\$5.10	EA
1870-1250-375 B POLY	1-1/4 X 1-5/8 X 3/8 B	1.250	1.625	0.375	\$5.10	EA
2500-1250 POLY	1-1/4 X 1-3/4 X 1/4	1.250	1.750	0.250	\$5.23	EA
2500-1250-375 B POLY	1-1/4 X 1-3/4 X 3/8 B	1.250	1.750	0.375	\$5.36	EA
3120-1250 SQB POLY	1-1/4 X 1-7/8 X 5/16 SQB	1.250	1.875	0.312	\$6.98	EA
3120-1250 STD POLY	1-1/4 X 1-7/8 X 5/16	1.250	1.875	0.312	\$6.98	EA
3120-1250-375 B POLY	1-1/4 X 1-7/8 X 3/8 B	1.250	1.875	0.375	\$6.98	EA
3120-1250-500 B POLY	1-1/4 X 1-7/8 X 1/2 B	1.250	1.875	0.500	\$7.17	EA
3750-1250 POLY	1-1/4 X 2-0 X 3/8	1.250	2.000	0.375	\$7.94	EA
3750-1250-500 B POLY	1-1/4 X 2-0 X 1/2 B	1.250	2.000	0.500	\$9.18	EA
5000-1250 POLY	1-1/4 X 2-1/4 X 1/2	1.250	2.250	0.500	\$10.30	EA
1870-1312 POLY	1-5/16 X 1-11/16 X 3/16	1.312	1.687	0.187	\$4.36	EA
2500-1312 POLY	1-5/16 X 1-13/16 X 1/4	1.312	1.812	0.250	\$4.80	EA
2500-1312-375 B POLY	1-5/16 X 1-13/16 X 3/8 B	1.312	1.812	0.375	\$5.63	EA
1250-1375 POLY	1-3/8 X 1-5/8 X 1/8	1.375	1.625	0.125	\$4.28	EA
1250-1375-187 B POLY	1-3/8 X 1-5/8 X 3/16 B	1.375	1.625	0.187	\$4.99	EA
1250-1375-250 B POLY	1-3/8 X 1-5/8 X 1/4 B	1.375	1.625	0.250	\$4.99	EA
1560-1375 POLY	1-3/8 X 1-11/16 X 5/32	1.375	1.687	0.156	\$4.99	EA
1870-1375 STD POLY	1-3/8 X 1-3/4 X 3/16	1.375	1.750	0.187	\$4.99	EA
1870-1375-250 B POLY	1-3/8 X 1-3/4 X 1/4 B	1.375	1.750	0.250	\$5.37	EA
1870-1375-312 B POLY	1-3/8 X 1-3/4 X 5/16 B	1.375	1.750	0.312	\$5.37	EA
1870-1375-375 B POLY	1-3/8 X 1-3/4 X 3/8 B	1.375	1.750	0.375	\$5.37	EA
2500-1375 POLY	1-3/8 X 1-7/8 X 1/4	1.375	1.875	0.250	\$5.37	EA
2500-1375-375 B POLY	1-3/8 X 1-7/8 X 3/8 B	1.375	1.875	0.375	\$5.79	EA
3120-1375 SQB POLY	1-3/8 X 2-0 X 5/16 SQB	1.375	2.000	0.312	\$6.63	EA
3120-1375 STD POLY	1-3/8 X 2-0 X 5/16	1.375	2.000	0.312	\$6.63	EA
3120-1375-375 B POLY	1-3/8 X 2-0 X 3/8 B	1.375	2.000	0.375	\$11.75	EA
3120-1375-500 B POLY	1-3/8 X 2-0 X 1/2 B	1.375	2.000	0.500	\$6.63	EA
3750-1375 POLY	1-3/8 X 2-1/8 X 3/8	1.375	2.125	0.375	\$8.43	EA
3750-1375-625 B POLY	1-3/8 X 2-1/8 X 5/8 B	1.375	2.125	0.625	\$8.57	EA
1250-1437-250 B POLY	1-7/16 X 1-11/16 X 1/4 B	1.437	1.687	0.250	\$5.14	EA
1870-1437 POLY	1-7/16 X 1-13/16 X 3/16	1.437	1.812	0.187	\$9.26	EA

POLY PACKS

ITEM DESCRIPTION	SIZE	DIMENSIONS			LIST PRICE	UOM
		I.D.	O.D.	HGT		
1870-1437-312 B POLY	1-7/16 X 1-13/16 X 5/16 B	1.437	1.812	0.312	\$9.26	EA
2500-1437 POLY	1-7/16 X 1-15/16 X 1/4	1.437	1.937	0.250	\$5.34	EA
1250-1500 POLY	1-1/2 X 1-3/4 X 1/8	1.500	1.750	0.125	\$4.47	EA
1250-1500-187 B POLY	1-1/2 X 1-3/4 X 3/16 B	1.500	1.750	0.187	\$8.48	EA
1250-1500-250 B POLY	1-1/2 X 1-3/4 X 1/4 B	1.500	1.750	0.250	\$5.21	EA
1560-1500-312 B POLY	1-1/2 X 1 13/16 X 3/16 B	1.500	1.812	0.516	\$12.62	EA
1870-1500-187 B POLY	1-1/2 X 1-7/8 X 3/16 B	1.500	1.875	0.187	\$6.67	EA
1870-1500 STD POLY	1-1/2 X 1-7/8 X 3/16	1.500	1.875	0.187	\$5.49	EA
1870-1500-250 B POLY	1-1/2 X 1-7/8 X 1/4 B	1.500	1.875	0.250	\$5.49	EA
1870-1500-312 B POLY	1-1/2 X 1-7/8 X 5/16 B	1.500	1.875	0.312	\$5.49	EA
1870-1500-375 B POLY	1-1/2 X 1-7/8 X 3/8 B	1.500	1.875	0.375	\$5.49	EA
2500-1500 SQB POLY	1-1/2 X 2-0 X 1/4 SQB	1.500	2.000	0.250	\$7.46	EA
2500-1500 STD POLY	1-1/2 X 2-0 X 1/4	1.500	2.000	0.250	\$7.46	EA
2500-1500-312 B POLY	1-1/2 X 2-0 X 5/16 B	1.500	2.000	0.312	\$7.46	EA
2500-1500-375 B POLY	1-1/2 X 2-0 X 3/8 B	1.500	2.000	0.375	\$7.46	EA
2500-1500-375 STD POLY	1-1/2 X 2-0 X 3/8	1.500	2.000	0.375	\$7.46	EA
2500-1500-500 B POLY	1-1/2 X 2-0 X 1/2 B	1.500	2.000	0.500	\$7.69	EA
3120-1500 POLY	1-1/2 X 2-1/8 X 5/16	1.500	2.125	0.312	\$7.90	EA
3120-1500-375 B POLY	1-1/2 X 2-1/8 X 3/8 B	1.500	2.125	0.375	\$7.90	EA
3120-1500-500 B POLY	1-1/2 X 2-1/8 X 1/2 B	1.500	2.125	0.500	\$7.90	EA
3750-1500 POLY	1-1/2 X 2-1/4 X 3/8	1.500	2.250	0.375	\$8.94	EA
3750-1500-500 B POLY	1-1/2 X 2-1/4 X 1/2 B	1.500	2.250	0.500	\$10.21	EA
3750-1500-625 B POLY	1-1/2 X 2-1/4 X 5/8 B	1.500	2.250	0.625	\$10.21	EA
5000-1500 POLY	1-1/2 X 2-1/2 X 1/2	1.500	2.500	0.500	\$12.66	EA
1250-1625 POLY	1-5/8 X 1-7/8 X 1/8	1.625	1.875	0.125	\$4.63	EA
1250-1625-187 B POLY	1-5/8 X 1-7/8 X 3/16 B	1.625	1.875	0.187	\$5.41	EA
1250-1625-250 B POLY	1-5/8 X 1-7/8 X 1/4 B	1.625	1.875	0.250	\$5.41	EA
1870-1625 POLY	1-5/8 X 2-0 X 3/16	1.625	2.000	0.187	\$5.18	EA
1870-1625-250 B POLY	1-5/8 X 2-0 X 1/4 B	1.625	2.000	0.250	\$5.82	EA
1870-1625-312 B POLY	1-5/8 X 2-0 X 5/16 B	1.625	2.000	0.312	\$5.82	EA
1870-1625-375 B POLY	1-5/8 X 2-0 X 3/8 B	1.625	2.000	0.375	\$6.19	EA
2500-1625 POLY	1-5/8 X 2-1/8 X 1/4	1.625	2.125	0.250	\$8.55	EA
2500-1625-375 B POLY	1-5/8 X 2-1/8 X 3/8 B	1.625	2.125	0.375	\$6.41	EA
3120-1625 POLY	1-5/8 X 2-1/4 X 5/16	1.625	2.250	0.312	\$7.04	EA
3120-1625-375 B POLY	1-5/8 X 2-1/4 X 3/8 B	1.625	2.250	0.375	\$17.02	EA
3120-1625-500 B POLY	1-5/8 X 2-1/4 X 1/2 B	1.625	2.250	0.500	\$15.31	EA
3750-1625-375 B POLY	1-5/8 X 2-3/8 X 3/8 B	1.625	2.375	0.375	\$9.82	EA
3750-1625 STD POLY	1-5/8 X 2-3/8 X 3/8	1.625	2.375	0.375	\$9.82	EA
1250-1750 POLY	1-3/4 X 2-0 X 1/8	1.750	2.000	0.125	\$4.74	EA
1250-1750-250 B POLY	1-3/4 X 2-0 X 1/4 B	1.750	2.000	0.250	\$5.64	EA
1870-1750 POLY	1-3/4 X 2-1/8 X 3/16	1.750	2.125	0.187	\$6.19	EA
1870-1750-250 B POLY	1-3/4 X 2-1/8 X 1/4 B	1.750	2.125	0.250	\$6.19	EA
1870-1750-312 B POLY	1-3/4 X 2-1/8 X 5/16 B	1.750	2.125	0.312	\$6.19	EA
1870-1750-375 B POLY	1-3/4 X 2-1/8 X 3/8 B	1.750	2.125	0.375	\$6.19	EA
2500-1750 SQB POLY	1-3/4 X 2-1/4 X 1/4 SQB	1.750	2.25	0.250	\$6.93	EA
2500-1750 STD POLY	1-3/4 X 2-1/4 X 1/4	1.750	2.250	0.250	\$6.93	EA
2500-1750-375 B POLY	1-3/4 X 2-1/4 X 3/8 B	1.750	2.250	0.375	\$6.93	EA
2500-1750-500 POLY	1-3/4 X 2-1/4 X 1/2	1.750	2.250	0.500	\$12.42	EA
3120-1750 POLY	1-3/4 X 2-3/8 X 5/16	1.750	2.375	0.312	\$7.38	EA

POLY PACKS

ITEM DESCRIPTION	SIZE	DIMENSIONS			LIST PRICE	UOM
		I.D.	O.D.	HGT		
3120-1750-375 B POLY	1-3/4 X 2-3/8 X 3/8 B	1.750	2.375	0.375	\$8.20	EA
3120-1750-500 B POLY	1-3/4 X 2-3/8 X 1/2 B	1.750	2.375	0.500	\$8.20	EA
3750-1750 POLY	1-3/4 X 2-1/2 X 3/8	1.750	2.500	0.375	\$10.25	EA
3750-1750-500 B POLY	1-3/4 X 2-1/2 X 1/2 B	1.750	2.500	0.500	\$11.12	EA
3750-1750-625 B POLY	1-3/4 X 2-1/2 X 5/8 B	1.750	2.500	0.625	\$11.12	EA
5000-1750 POLY	1-3/4 X 2-3/4 X 1/2	1.750	2.750	0.500	\$13.36	EA
1250-1875 POLY	1-7/8 X 2-1/8 X 1/8	1.875	2.125	0.125	\$4.85	EA
1250-1875-187 B POLY	1-7/8 X 2-1/8 X 3/16 B	1.875	2.125	0.187	\$5.72	EA
1250-1875-250 B POLY	1-7/8 X 2-1/8 X 1/4 B	1.875	2.125	0.250	\$5.72	EA
1870-1875 POLY	1-7/8 X 2-1/4 X 3/16	1.875	2.250	0.187	\$5.74	EA
1870-1875-312 B POLY	1-7/8 X 2-1/4 X 5/16 B	1.875	2.250	0.312	\$14.13	EA
1870-1875-375 B POLY	1-7/8 X 2-1/4 X 3/8 B	1.875	2.250	0.375	\$6.52	EA
2500-1875 POLY	1-7/8 X 2-3/8 X 1/4	1.875	2.375	0.250	\$6.56	EA
2500-1875-375 B POLY	1-7/8 X 2-3/8 X 3/8 B	1.875	2.375	0.375	\$6.33	EA
3120-1875 POLY	1-7/8 X 2-1/2 X 5/16	1.875	2.500	0.312	\$7.54	EA
3120-1875-375 B POLY	1-7/8 X 2-1/2 X 3/8 B	1.875	2.500	0.375	\$16.90	EA
3120-1875-500 B POLY	1-7/8 X 2-1/2 X 1/2 B	1.875	2.500	0.500	\$15.30	EA
3750-1875 POLY	1-7/8 X 2-5/8 X 3/8	1.875	2.625	0.375	\$8.62	EA
1250-2000 POLY	2-0 X 2-1/4 X 1/8	2.000	2.250	0.125	\$9.86	EA
1250-2000-187 B POLY	2-0 X 2-1/4 X 3/16 B	2.000	2.250	0.187	\$4.95	EA
1250-2000-250 B POLY	2-0 X 2-1/4 X 1/4 B	2.000	2.250	0.250	\$6.15	EA
1870-2000 STD POLY	2-0 X 2-3/8 X 3/16	2.000	2.375	0.187	\$6.87	EA
1870-2000-250 B POLY	2-0 X 2-3/8 X 1/4 B	2.000	2.375	0.250	\$6.87	EA
1870-2000-312 B POLY	2-0 X 2-3/8 X 5/16 B	2.000	2.375	0.312	\$6.87	EA
1870-2000-375 B POLY	2-0 X 2-3/8 X 3/8 B	2.000	2.375	0.375	\$6.87	EA
2500-2000 SQB POLY	2-0 X 2-1/2 X 1/4	2.000	2.500	0.250	\$7.54	EA
2500-2000 STD POLY	2-0 X 2-1/2 X 1/4	2.000	2.500	0.250	\$7.54	EA
2500-2000-375 B POLY	2-0 X 2-1/2 X 3/8 B	2.000	2.500	0.375	\$8.61	EA
2500-2000-312 B POLY	2-0 X 2-1/2 X 5/16 B	2.000	2.500	0.312	\$14.74	EA
2500-2000-375 STD POLY	2-0 X 2-1/2 X 3/8	2.000	2.500	0.375	\$8.61	EA
2500-2000-500 B POLY	2-0 X 2-1/2 X 1/2 B	2.000	2.500	0.500	\$16.95	EA
3120-2000 POLY	2-0 X 2-5/8 X 5/16	2.000	2.625	0.312	\$8.76	EA
3120-2000-375 B POLY	2-0 X 2-5/8 X 3/8 B	2.000	2.625	0.375	\$17.66	EA
3120-2000-500 B POLY	2-0 X 2-5/8 X 1/2 B	2.000	2.625	0.500	\$9.11	EA
3120-2000-562 B POLY	2-0 X 2-5/8 X 9/16 B	2.000	2.625	0.562	\$9.11	EA
3120-2000-625 B POLY	2-0 X 2-5/8 X 5/8 B	2.000	2.625	0.625	\$8.29	EA
3750-2000 POLY	2-0 X 2-3/4 X 3/8	2.000	2.750	0.375	\$14.13	EA
3750-2000-500 B POLY	2-0 X 2-3/4 X 1/2 B	2.000	2.750	0.500	\$12.34	EA
3750-2000-625 B POLY	2-0 X 2-3/4 X 5/8 B	2.000	2.750	0.625	\$12.34	EA
5000-2000 POLY	2-0 X 3-0 X 1/2	2.000	3.000	0.500	\$18.81	EA
5000-2000-750 POLY	2-0 X 3-0 X 3/4	2.000	3.000	0.750	\$17.47	EA
1250-2125 POLY	2-1/8 X 2-3/8 X 1/8	2.125	2.375	0.125	\$4.77	EA
1250-2125-250 B POLY	2-1/8 X 2-5/8 X 1/4 B	2.125	2.375	0.250	\$6.03	EA
1870-2125 POLY	2-1/8 X 2-1/2 X 3/16	2.125	2.500	0.187	\$6.03	EA
1870-2125-250 B POLY	2-1/8 X 2-1/2 X 1/4 B	2.125	2.500	0.250	\$7.43	EA
1870-2125-312 B POLY	2-1/8 X 2-1/2 X 5/16 B	2.125	2.500	0.312	\$11.77	EA
1870-2125-375 B POLY	2-1/8 X 2-1/2 X 3/8 B	2.125	2.500	0.375	\$7.43	EA
2500-2125 SQB POLY	2-1/8 X 2-5/8 X 1/4 SQB	2.125	2.625	0.250	\$7.99	EA
2500-2125 STD POLY	2-1/8 X 2-5/8 X 1/4	2.125	2.625	0.250	\$7.99	EA

POLY PACKS

ITEM DESCRIPTION	SIZE	DIMENSIONS			LIST PRICE	UOM
		I.D.	O.D.	HGT		
2500-2125-375 B POLY	2-1/8 X 2-5/8 X 3/8 B	2.125	2.625	0.375	\$7.99	EA
2500-2125-375 STD POLY	2-1/8 X 2-5/8 X 3/8	2.125	2.625	0.375	\$7.99	EA
3120-2125 POLY	2-1/8 X 2-3/4 X 5/16	2.125	2.750	0.312	\$16.29	EA
3120-2125-500 B POLY	2-1/8 X 2-3/4 X 1/2 B	2.125	2.750	0.500	\$9.67	EA
3120-2125-625 B POLY	2-1/8 X 2-3/4 X 5/8 B	2.125	2.750	0.625	\$9.67	EA
3750-2125 POLY	2-1/8 X 2-7/8 X 3/8	2.125	2.875	0.375	\$11.86	EA
5000-2125 POLY	2-1/8 X 3-1/8 X 1/2	2.125	3.125	0.500	\$16.61	EA
1250-2250 POLY	2-1/4 X 2-1/2 X 1/8	2.250	2.500	0.125	\$5.21	EA
1870-2250 POLY	2-1/4 X 2-5/8 X 3/16	2.250	2.625	0.187	\$5.72	EA
1870-2250-312 B POLY	2-1/4 X 2-5/8 X 5/16 B	2.250	2.625	0.312	\$7.69	EA
1870-2250-375 B POLY	2-1/4 X 2-5/8 X 3/8 B	2.250	2.625	0.375	\$7.69	EA
2500-2250 POLY	2-1/4 X 2-3/4 X 1/4	2.250	2.750	0.250	\$7.69	EA
2500-2250-312 B POLY	2-1/4 X 2-3/4 X 5/16 B	2.250	2.750	0.312	\$6.17	EA
2500-2250-312 STD POLY	2-1/4 X 2-3/4 X 5/16 STD	2.250	2.750	0.312	\$6.17	EA
2500-2250-375 B POLY	2-1/4 X 2-3/4 X 3/8 B	2.250	2.750	0.375	\$8.50	EA
3120-2250 STD POLY	2-1/4 X 2-7/8 X 5/16	2.250	2.875	0.312	\$10.25	EA
3120-2250-375 B POLY	2-1/4 X 2-7/8 X 3/8 B	2.250	2.875	0.375	\$10.25	EA
3120-2250-500 B POLY	2-1/4 X 2-7/8 X 1/2 B	2.250	2.875	0.500	\$13.31	EA
3750-2250 POLY	2-1/4 X 3-0 X 3/8	2.250	3.000	0.375	\$12.51	EA
3750-2250-500 B POLY	2-1/4 X 3-0 X 1/2 B	2.250	3.000	0.500	\$13.72	EA
3750-2250-625 B POLY	2-1/4 X 3-0 X 5/8 B	2.250	3.000	0.625	\$13.72	EA
5000-2250 POLY	2-1/4 X 3-1/4 X 1/2	2.250	3.250	0.500	\$19.35	EA
1250-2375 POLY	2-3/8 X 2-5/8 X 1/8	2.375	2.625	0.125	\$5.33	EA
1870-2375 POLY	2-3/8 X 2-3/4 X 3/16	2.375	2.750	0.187	\$5.86	EA
1870-2375-375 B POLY	2-3/8 X 2-3/4 X 3/8 B	2.375	2.750	0.375	\$7.99	EA
2500-2375 POLY	2-3/8 X 2-7/8 X 1/4	2.375	2.875	0.250	\$7.99	EA
2500-2375-375 B POLY	2-3/8 X 2-7/8 X 3/8 B	2.375	2.875	0.375	\$8.77	EA
2500-2375-562 B POLY	2-3/8 X 2-7/8 X 9/16 B	2.375	2.875	0.562	\$9.44	EA
3120-2375 SQB POLY	2-3/8 X 3-0 X 5/16 SQB	2.375	3.000	0.312	\$10.41	EA
3120-2375 STD POLY	2-3/8 X 3-0 X 5/16	2.375	3.000	0.312	\$10.41	EA
3120-2375-375 B POLY	2-3/8 X 3-0 X 3/8 B	2.375	3.000	0.375	\$7.62	EA
3120-2375-500 B POLY	2-3/8 X 3-0 X 1/2 B	2.375	3.000	0.500	\$10.41	EA
3750-2375 POLY	2-3/8 X 3-1/8 X 3/8	2.375	3.125	0.375	\$12.02	EA
3750-2375-625 B POLY	2-3/8 X 3-1/8 X 5/8 B	2.375	3.125	0.625	\$9.22	EA
1250-2500 POLY	2-1/2 X 2-3/4 X 1/8	2.500	2.750	0.125	\$5.44	EA
1250-2500-250 B POLY	2-1/2 X 2-3/4 X 1/4 B	2.500	2.750	0.250	\$7.13	EA
1870-2500 POLY	2-1/2 X 2-7/8 X 3/16	2.500	2.875	0.187	\$7.13	EA
1870-2500-250 B POLY	2-1/2 X 2-7/8 X 1/4 B	2.500	2.875	0.250	\$7.66	EA
1870-2500-312 B POLY	2-1/2 X 2-7/8 X 5/16 B	2.500	2.875	0.312	\$11.79	EA
1870-2500-375 B POLY	2-1/2 X 2-7/8 X 3/8 B	2.500	2.875	0.375	\$8.31	EA
2500-2500 POLY	2-1/2 X 3-0 X 1/4	2.500	3.000	0.250	\$8.35	EA
2500-2500-312 B POLY	2-1/2 X 3-0 X 5/16 B	2.500	3.000	0.312	\$9.29	EA
2500-2500-375 B POLY	2-1/2 X 3-0 X 3/8 B	2.500	3.000	0.375	\$9.29	EA
2500-2500-375 STD POLY	2-1/2 X 3-0 X 3/8	2.500	3.000	0.375	\$9.29	EA
2500-2500-500 B POLY	2-1/2 X 3-0 X 1/2 B	2.500	3.000	0.500	\$12.30	EA
3120-2500 POLY	2-1/2 X 3-1/8 X 5/16	2.500	3.125	0.312	\$9.99	EA
3120-2500-375 B POLY	2-1/2 X 3-1/8 X 3/8 B	2.500	3.125	0.375	\$10.85	EA
3120-2500-500 B-LIP PO	2-1/2 X 3-1/8 X 1/2	2.500	3.125	0.500	\$12.94	EA
3750-2500 POLY	2-1/2 X 3-1/4 X 3/8	2.500	3.250	0.375	\$20.25	EA

POLY PACKS

ITEM DESCRIPTION	SIZE	DIMENSIONS			LIST PRICE	UOM
		I.D.	O.D.	HGT		
3750-2500-500 B POLY	2-1/2 X 3-1/4 X 1/2 B	2.500	3.250	0.500	\$15.01	EA
3750-2500-625 POLY	2-1/2 X 3-1/4 X 5/8	2.500	3.250	0.625	\$15.01	EA
5000-2500 POLY	2-1/2 X 3-1/2 X 1/2	2.500	3.500	0.500	\$19.00	EA
5000-2500-750 B POLY	2-1/2 X 3-1/2 X 3/4 B	2.500	3.500	0.750	\$19.35	EA
1870-2625 POLY	2-5/8 X 3-0 X 3/16	2.625	3.000	0.187	\$8.63	EA
1870-2625-250 B POLY	2-5/8 X 3-0 X 1/4 B	2.625	3.000	0.250	\$8.63	EA
1870-2625-312 POLY	2-5/8 X 3-0 X 5/16	2.625	3.000	0.312	\$8.63	EA
1870-2625-375 B POLY	2-5/8 X 3-0 X 3/8 B	2.625	3.000	0.375	\$8.63	EA
2500-2625 POLY	2-5/8 X 3-1/8 X 1/4 SQB	2.625	3.125	0.250	\$8.95	EA
2500-2625-312 B POLY	2-5/8 X 3-1/8 X 5/16 B	2.625	3.125	0.312	\$8.96	EA
2500-2625-375 B POLY	2-5/8 X 3-1/8 X 3/8 B	2.625	3.125	0.375	\$9.80	EA
3120-2625 POLY	2-5/8 X 3-1/4 X 5/16	2.625	3.250	0.312	\$10.34	EA
3120-2625-500 B POLY	2-5/8 X 3-1/4 X 1/2 B	2.625	3.250	0.500	\$10.37	EA
3750-2625 POLY	2-5/8 X 3-3/8 X 3/8	2.625	3.375	0.375	\$12.00	EA
3750-2625-625 B POLY	2-5/8 X 3-3/8 X 5/8 B	2.625	3.375	0.625	\$16.41	EA
1870-2750 SQB POLY	2-3/4 X 3-1/8 X 3/16	2.750	3.125	0.187	\$9.00	EA
1870-2750 STD POLY	2-3/4 X 3-1/8 X 3/16	2.750	3.125	0.187	\$8.58	EA
1870-2750-312 B POLY	2-3/4 X 3-1/8 X 5/16 B	2.750	3.125	0.312	\$15.54	EA
1870-2750-375 B POLY	2-3/4 X 3-1/8 X 3/8 B	2.750	3.125	0.375	\$13.04	EA
2500-2750 SQB POLY	2-3/4 X 3-1/4 X 1/4 SQB	2.750	3.250	0.250	\$10.19	EA
2500-2750 STD POLY	2-3/4 X 3-1/4 X 1/4	2.750	3.250	0.250	\$10.19	EA
2500-2750-375 B POLY	2-3/4 X 3-1/4 X 3/8 B	2.750	3.250	0.375	\$10.19	EA
2500-2750-375 STD POLY	2-3/4 X 3-1/4 X 3/8	2.750	3.250	0.375	\$10.19	EA
2500-2750-500 B POLY	2-3/4 X 3-1/4 X 1/2 B	2.750	3.250	0.500	\$16.22	EA
2500-2750-500 STD POLY	2-3/4 X 3-1/4 X 1/2	2.750	3.250	0.500	\$16.22	EA
3120-2750 POLY	2-3/4 X 3-3/8 X 5/16	2.750	3.375	0.312	\$10.85	EA
3120-2750-375 B POLY	2-3/4 X 3-3/8 X 3/8 B	2.750	3.375	0.375	\$11.94	EA
3120-2750-500 B POLY	2-3/4 X 3-3/8 X 1/2 B	2.750	3.375	0.500	\$11.94	EA
3750-2750 POLY	2-3/4 X 3-1/2 X 3/8	2.750	3.500	0.375	\$14.86	EA
3750-2750-500 B POLY	2-3/4 X 3-1/2 X 1/2 B	2.750	3.500	0.500	\$16.41	EA
3750-2750-625 B POLY	2-3/4 X 3-1/2 X 5/8 B	2.750	3.500	0.625	\$16.41	EA
5000-2750 POLY	2-3/4 X 3-3/4 X 1/2	2.750	3.750	0.500	\$20.44	EA
6250-2750 POLY	2-3/4 X 4-0 X 5/8	2.750	4.000	0.625	\$24.73	EA
1250-2875 POLY	2-7/8 X 3-1/8 X 1/8	2.875	3.125	0.125	\$6.04	EA
1250-2875-250 POLY	2-7/8 X 3-1/8 X 1/4	2.875	3.125	0.250	\$6.34	EA
1870-2875 POLY	2-7/8 X 3-1/4 X 3/16	2.875	3.250	0.187	\$6.67	EA
1870-2875-250 POLY	2-7/8 X 3-1/4 X 1/4	2.875	3.250	0.250	\$9.26	EA
1870-2875-375 B POLY	2-7/8 X 3-1/4 X 3/8 B	2.875	3.250	0.375	\$9.29	EA
2500-2875 POLY	2-7/8 X 3-3/8 X 1/4	2.875	3.375	0.250	\$9.40	EA
2500-2875-375 B POLY	2-7/8 X 3-3/8 X 3/8 B	2.875	3.375	0.375	\$10.27	EA
3120-2875 POLY	2-7/8 X 3-1/2 X 5/16	2.875	3.500	0.312	\$11.16	EA
3120-2875-500 B POLY	2-7/8 X 3-1/2 X 1/2 B	2.875	3.500	0.500	\$12.32	EA
2180-2812 POLY	2-13/16 x 3-1/4 x 7/32	2.812	3.25	0.218	12.81	EA
1250-3000 POLY	3-0 X 3-1/4 X 1/8	3.000	3.250	0.125	\$6.23	EA
1870-3000 SQB POLY	3-0 X 3-3/8 X 3/16 SQB	3.000	3.375	0.187	\$9.62	EA
3750-3250-500 STD	3-3/4 X 3-1/4 X 1/2	3.250	4.000	0.500	\$15.78	EA
1870-3000 STD POLY	3-0 X 3-3/8 X 3/16	3.000	3.375	0.187	\$9.62	EA
1870-3000-250 B POLY	3-0 X 3-3/8 X 1/4 B	3.000	3.375	0.250	\$9.62	EA
1870-3000-312 B POLY	3-0 X 3-3/8 X 5/16 B	3.000	3.375	0.312	\$9.62	EA

POLY PACKS

ITEM DESCRIPTION	SIZE	DIMENSIONS			LIST PRICE	UOM
		I.D.	O.D.	HGT		
1870-3000-375 B POLY	3-0 X 3-3/8 X 3/8 B	3.000	3.375	0.375	\$9.62	EA
2500-3000 POLY	3-0 X 3-1/2 X 1/4	3.000	3.500	0.250	\$9.73	EA
2500-3000-312 B POLY	3-0 X 3-1/2 X 5/16 B	3.000	3.500	0.312	\$7.22	EA
2500-3000-375 B POLY	3-0 X 3-1/2 X 3/8 B	3.000	3.500	0.375	\$11.03	EA
2500-3000-375 STD POLY	3-0 X 3-1/2 X 3/8	3.000	3.500	0.375	\$11.03	EA
2500-3000-500 B POLY	3-0 X 3-1/2 X 1/2 B	3.000	3.500	0.500	\$13.82	EA
2500-3000-562 B POLY	3-0 X 3-1/2 X 9/16 B	3.000	3.500	0.562	\$11.03	EA
3120-3000 POLY	3-0 X 3-5/8 X 5/16	3.000	3.625	0.312	\$11.74	EA
3120-3000-375 B POLY	3-0 X 3-5/8 X 3/8 B	3.000	3.625	0.375	\$12.72	EA
3120-3000-500 B POLY	3-0 X 3-5/8 X 1/2 B	3.000	3.625	0.500	\$33.15	EA
3750-3000 POLY	3-0 X 3-3/4 X 3/8	3.000	3.750	0.375	\$16.27	EA
3750-3000-500 B POLY	3-0 X 3-3/4 X 1/2 B	3.000	3.750	0.500	\$17.87	EA
3750-3000-625 B POLY	3-0 X 3-3/4 X 5/8 B	3.000	3.750	0.625	\$17.87	EA
5000-3000 POLY	3-0 X 4-0 X 1/2	3.000	4.000	0.500	\$22.12	EA
5000-3000-750 B POLY	3-0 X 4-0 X 3/4 B	3.000	4.000	0.750	\$24.37	EA
5000-3000-750 STD POLY	3-0 X 4-0 X 3/4	3.000	4.000	0.750	\$24.37	EA
1870-3125 POLY	3-1/8 X 3-1/2 X 3/16	3.125	3.500	0.187	\$7.34	EA
1870-3125-250 B POLY	3-1/8 X 3-1/2 X 1/4 B	3.125	3.500	0.250	\$10.19	EA
1870-3125-375 B POLY	3-1/8 X 3-1/2 X 3/8 B	3.125	3.500	0.375	\$10.19	EA
2500-3125 SQB POLY	3-1/8 X 3-5/8 X 1/4 SQB	3.125	3.625	0.250	\$11.48	EA
2500-3125 STD POLY	3-1/8 X 3-5/8 X 1/4	3.125	3.625	0.250	\$11.48	EA
2500-3125-375 B POLY	3-1/8 X 3-5/8 X 3/8 B	3.125	3.625	0.375	\$11.48	EA
3120-3125 POLY	3-1/8 X 3-3/4 X 5/16	3.125	3.750	0.312	\$11.82	EA
3120-3125-500 B POLY	3-1/8 X 3-3/4 X 1/2 B	3.125	3.750	0.500	\$13.59	EA
3750-3125 POLY	3-1/8 X 3-7/8 X 3/8	3.125	3.875	0.375	\$14.18	EA
3750-3125-625 B POLY	3-1/8 X 3-7/8 X 5/8 B	3.125	3.875	0.625	\$18.42	EA
1250-3250 POLY	3-1/4 X 3-1/2 X 1/8	3.250	3.500	0.125	\$6.80	EA
1870-3250 POLY	3-1/4 X 3-5/8 X 3/16	3.250	3.625	0.187	\$7.72	EA
1870-3250-312 B POLY	3-1/4 X 3-5/8 X 5/16 B	3.250	3.625	0.312	\$10.78	EA
1870-3250-375 B POLY	3-1/4 X 3-5/8 X 3/8 B	3.250	3.625	0.375	\$10.78	EA
2500-3250 POLY	3-1/4 X 3-3/4 X 1/4	3.250	3.750	0.250	\$11.07	EA
2500-3250-375 B POLY	3-1/4 X 3-3/4 X 3/8 B	3.250	3.750	0.375	\$11.78	EA
2500-3250-375 STD POLY	3-1/4 X 3-3/4 X 3/8	3.250	3.750	0.375	\$25.90	EA
2500-3250-375 STD-H POLY	3-1/4 X 3-3/4 X 3/8	3.250	3.750	0.375	\$11.78	EA
2500-3250-500 B POLY	3-1/4 X 3-3/4 X 1/2 B	3.250	3.750	0.500	\$18.88	EA
3120-3250 SQB POLY	3-1/4 X 3-7/8 X 5/16 SQB	3.250	3.875	0.312	\$14.02	EA
3120-3250 STD POLY	3-1/4 X 3-7/8 X 5/16	3.250	3.875	0.312	\$14.02	EA
3120-3250-500 B POLY	3-1/4 X 3-7/8 X 1/2 B	3.250	3.875	0.500	\$14.02	EA
3750-3250 POLY	3-1/4 X 4-0 X 3/8	3.250	4.000	0.375	\$20.95	EA
3750-3250-500 B POLY	3-1/4 X 4-0 X 1/2 B	3.250	4.000	0.500	\$21.24	EA
3750-3250-500 STD POLY	3-1/4 X 4-0 X 1/2 B	3.250	4.000	0.500	\$19.00	EA
3750-3250-625 B POLY	3-1/4 X 4-0 X 5/8 B	3.250	4.000	0.625	\$19.00	EA
5000-3250-500 POLY	3-1/4 X 4-1/4 X 1/2	3.250	4.250	0.500	\$24.09	EA
6250-3250 POLY	3-1/4 X 4-1/2 X 5/8	3.250	4.500	0.625	\$39.98	EA
1870-3375 POLY	3-3/8 X 3-3/4 X 3/16	3.375	3.750	0.187	\$8.20	EA
1870-3375-312 B POLY	3-3/8 X 3-3/4 X 5/16 B	3.375	4.000	0.312	\$7.30	EA
1870-3375-375 B POLY	3-3/8 X 3-3/4 X 3/8 B	3.375	3.750	0.375	\$11.35	EA
2500-3375 POLY	3-3/8 X 3-7/8 X 1/4	3.375	3.875	0.250	\$10.79	EA
2500-3375-375 B POLY	3-3/8 X 3-7/8 X 3/8 B	3.375	3.875	0.375	\$12.21	EA

POLY PACKS

ITEM DESCRIPTION	SIZE	DIMENSIONS			LIST PRICE	UOM
		I.D.	O.D.	HGT		
2500-3375-562 B POLY	3-3/8 X 3-7/8 X 9/16 B	3.375	3.875	0.562	\$12.98	EA
3120-3375 SQB POLY	3-3/8 X 4-0 X 5/16	3.375	4.000	0.312	\$14.18	EA
3120-3375 STD POLY	3-3/8 X 4-0 X 5/16	3.375	4.000	0.312	\$14.18	EA
3120-3375-500 B POLY	3-3/8 X 4-0 X 1/2 B	3.375	4.000	0.500	\$14.18	EA
3750-3375 POLY	3-3/8 X 4-1/8 X 3/8	3.375	4.125	0.375	\$17.87	EA
3750-3375-625 B POLY	3-3/8 X 4-1/8 X 5/8 B	3.375	4.125	0.625	\$19.47	EA
5000-3375 POLY	3-3/8 X 4-3/8 X 1/2	3.375	4.375	0.500	\$24.21	EA
2810-3437-500 B POLY	3-7/16 X 4-0 X 1/2 B	3.437	4.000	0.500	\$17.87	EA
1250-3500 POLY	3-1/2 X 3-3/4 X 1/8	3.500	3.750	0.125	\$7.47	EA
1870-3500 POLY	3-1/2 X 3-7/8 X 3/16	3.500	3.875	0.187	\$8.58	EA
1870-3500-375 B POLY	3-1/2 X 3-7/8 X 3/8 B	3.500	3.875	0.375	\$14.99	EA
2500-3500-187 B POLY	3-1/2 X 4-0 X 3/16 B	3.500	4.000	0.187	\$10.27	EA
2500-3500 POLY	3-1/2 X 4-0 X 1/4	3.500	4.000	0.250	\$11.15	EA
2500-3500-312 B POLY	3-1/2 X 4-0 X 5/16 B	3.500	4.000	0.312	\$12.66	EA
2500-3500-375 B POLY	3-1/2 X 4-0 X 3/8 B	3.500	4.000	0.375	\$12.66	EA
2500-3500-375 STD POLY	3-1/2 X 4-0 X 3/8	3.500	4.000	0.375	\$12.66	EA
2500-3500-500 B POLY	3-1/2 X 4-0 X 1/2 B	3.500	4.000	0.500	\$29.62	EA
3120-3500 POLY	3-1/2 X 4-1/8 X 5/16	3.500	4.125	0.312	\$13.35	EA
3120-3500-375 B POLY	3-1/2 X 4-1/8 X 3/8 B	3.500	4.125	0.375	\$14.70	EA
3120-3500-500 B POLY	3-1/2 X 4-1/8 X 1/2 B	3.500	4.125	0.500	\$14.70	EA
3120-3500-500 STD POLY	3-1/2 X 4-1/8 X 1/2	3.500	4.125	0.500	\$14.70	EA
3750-3500 POLY	3-1/2 X 4-1/4 X 3/8	3.500	4.250	0.375	\$24.59	EA
3750-3500-500 B POLY	3-1/2 X 4-1/4 X 1/2 B	3.500	4.250	0.500	\$20.33	EA
3750-3500-625 B POLY	3-1/2 X 4-1/4 X 5/8 B	3.500	4.250	0.625	\$25.81	EA
5000-3500 POLY	3-1/2 X 4-1/2 X 1/2	3.500	4.500	0.500	\$21.52	EA
5000-3500-750 POLY	3-1/2 X 4-1/2 X 3/4	3.500	4.500	0.750	\$28.14	EA
6250-3500 POLY	3-1/2 X 4-3/4 X 5/8	3.500	4.750	0.625	\$42.46	EA
1250-3625-187 B POLY	3-5/8 X 3-7/8 X 3/16 B	3.625	3.875	0.187	\$20.44	EA
1870-3625 POLY	3-5/8 X 4-0 X 3/16	3.625	4.000	0.187	\$11.48	EA
1870-3625-250 B POLY	3-5/8 X 4-0 X 1/4 B	3.625	4.000	0.250	\$12.58	EA
1870-3625-312 B POLY	3-5/8 X 4-0 X 5/16 B	3.625	4.000	0.312	\$12.58	EA
1870-3625-375 B POLY	3-5/8 X 4-0 X 3/8 B	3.625	4.000	0.375	\$12.58	EA
2500-3625 POLY	3-5/8 X 4-1/8 X 1/4	3.625	4.125	0.250	\$12.60	EA
2500-3625-375 B POLY	3-5/8 X 4-1/8 X 3/8 B	3.625	4.125	0.375	\$13.10	EA
3120-3625 POLY	3-5/8 X 4-1/4 X 5/16	3.625	4.250	0.312	\$13.85	EA
3750-3625 SQB POLY	3-5/8 X 4-3/8 X 3/8 SQB	3.625	4.375	0.375	\$19.52	EA
3750-3625 STD POLY	3-5/8 X 4-3/8 X 3/8	3.625	4.375	0.375	\$19.52	EA
3750-3625-625 B POLY	3-5/8 X 4-3/8 X 5/8 B	3.625	4.375	0.625	\$21.67	EA
5000-3625 SQB POLY	3-5/8 X 4-5/8 X 1/2 SQB	3.625	4.625	0.500	\$22.28	EA
1870-3750 SQB POLY	3-3/4 X 4-1/8 X 3/16 SQB	3.750	4.125	0.187	\$13.74	EA
1870-3750 STD POLY	3-3/4 X 4-1/8 X 3/16	3.750	4.125	0.187	\$13.74	EA
1870-3750-312 B POLY	3-3/4 X 4-1/8 X 5/16 B	3.750	4.125	0.312	\$13.74	EA
1870-3750-375 B POLY	3-3/4 X 4-1/8 X 3/8 B	3.750	4.125	0.375	\$13.74	EA
2500-3750 SQB POLY	3-3/4 X 4-1/4 X 1/4 SQB	3.750	4.250	0.250	\$13.44	EA
2500-3750 STD POLY	3-3/4 X 4-1/4 X 1/4	3.750	4.250	0.250	\$13.44	EA
2500-3750-375 B POLY	3-3/4 X 4-1/4 X 3/8 B	3.750	4.250	0.375	\$13.44	EA
2500-3750-562 B POLY	3-3/4 X 4-1/4 X 9/16 B	3.750	4.250	0.562	\$13.44	EA
3120-3750 POLY	3-3/4 X 4-3/8 X 5/16	3.750	4.375	0.312	\$14.29	EA
3120-3750-375 B POLY	3-3/4 X 4-3/8 X 3/8 B	3.750	4.375	0.375	\$15.32	EA

POLY PACKS

ITEM DESCRIPTION	SIZE	DIMENSIONS			LIST PRICE	UOM
		I.D.	O.D.	HGT		
3120-3750-500 B POLY	3-3/4 X 4-3/8 X 1/2 B	3.750	4.375	0.500	\$16.07	EA
3120-3750-625 B POLY	3-3/4 X 4-3/8 X 5/8 B	3.750	4.375	0.625	\$16.07	EA
3750-3750 POLY	3-3/4 X 4-1/2 X 3/8	3.750	4.500	0.375	\$19.47	EA
3750-3750-500 B POLY	3-3/4 X 4-1/2 X 1/2 B	3.750	4.500	0.500	\$21.64	EA
3750-3750-625 B POLY	3-3/4 X 4-1/2 X 5/8 B	3.750	4.500	0.625	\$29.40	EA
5000-3750 SQB POLY	3-3/4 X 4-3/4 X 1/2 SQB	3.750	4.750	0.500	\$26.72	EA
5000-3750 STD POLY	3-3/4 X 4-3/4 X 1/2	3.750	4.750	0.500	\$26.72	EA
6250-3750 POLY	3-3/4 X 5-0 X 5/8	3.750	5.000	0.625	\$29.62	EA
7500-3750 POLY	3-3/4 X 5-1/4 X 3/4	3.750	5.250	0.750	\$32.49	EA
1250-3875-125 B POLY	3-7/8 X 4-1/8 X 1/8	3.875	4.125	0.125	\$8.70	EA
1250-3875-250 B POLY	3-7/8 X 4-1/8 X 1/4 B	3.875	4.125	0.250	\$12.08	EA
1870-3875 POLY	3-7/8 X 4-1/4 X 3/16	3.875	4.250	0.187	\$12.08	EA
1870-3875-375 B POLY	3-7/8 X 4-1/4 X 3/8 B	3.875	4.250	0.375	\$13.95	EA
2500-3875 POLY	3-7/8 X 4-3/8 X 1/4	3.875	4.375	0.250	\$13.95	EA
2500-3875-375 B POLY	3-7/8 X 4-3/8 X 3/8 B	3.875	4.375	0.375	\$13.95	EA
3120-3875 POLY	3-7/8 X 4-1/2 X 5/16	3.875	4.500	0.312	\$14.81	EA
3120-3875-500 B POLY	3-7/8 X 4-1/2 X 1/2 B	3.875	4.500	0.500	\$16.27	EA
3750-3875 SQB POLY	3-7/8 X 4-5/8 X 3/8 SQB	3.875	4.625	0.375	\$20.11	EA
3750-3875 STD POLY	3-7/8 X 4-5/8 X 3/8	3.875	4.625	0.375	\$20.11	EA
1250-4000 POLY	4-0 X 4-1/4 X 1/8	4.000	4.250	0.125	\$9.11	EA
1870-4000 SQB POLY	4-0 X 4-3/8 X 3/16 SQB	4.000	4.375	0.187	\$14.63	EA
1870-4000 STD POLY	4-0 X 4-3/8 X 3/16	4.000	4.375	0.187	\$14.63	EA
1870-4000-250 B POLY	4-0 X 4-3/8 X 1/4 B	4.000	4.375	0.250	\$14.63	EA
1870-4000-312 B POLY	4-0 X 4-3/8 X 5/16 B	4.000	4.375	0.312	\$14.63	EA
1870-4000-375 B POLY	4-0 X 4-3/8 X 3/8 B	4.000	4.375	0.375	\$14.63	EA
2500-4000 POLY	4-0 X 4-1/2 X 1/4	4.000	4.500	0.250	\$12.58	EA
2500-4000-375 B POLY	4-0 X 4-1/2 X 3/8 B	4.000	4.500	0.375	\$14.22	EA
2500-4000-375 STD POLY	4-0 X 4-1/2 X 3/8	4.000	4.500	0.375	\$14.22	EA
2500-4000-500 B POLY	4-0 X 4-1/2 X 1/2 B	4.000	4.500	0.500	\$14.22	EA
2500-4000-562 B POLY	4-0 X 4-1/2 X 9/16 B	4.000	4.500	0.562	\$14.22	EA
2500-4000-625 POLY	4-0 X 4-1/2 X 5/8	4.000	4.500	0.625	\$24.10	EA
2500-4000-625 B POLY	4-0 X 4-1/2 X 5/8 B	4.000	4.500	0.625	\$16.80	EA
3120-4000 POLY	4-0 X 4-5/8 X 5/16	4.000	4.625	0.312	\$15.21	EA
3120-4000-500 B POLY	4-0 X 4-5/8 X 1/2 B	4.000	4.625	0.500	\$16.74	EA
3120-4000-562 B POLY	4-0 X 4-5/8 X 9/16 B	4.000	4.625	0.562	\$16.74	EA
3750-4000 B POLY	4-0 X 4-3/4 X 3/8	4.000	4.750	0.375	\$24.88	EA
3750-4000 SQB POLY	4-0 X 4-3/4 X 3/8 SQB	4.000	4.750	0.375	\$19.81	EA
3750-4000 STD POLY	4-0 X 4-3/4 X 3/8	4.000	4.750	0.375	\$29.09	EA
3750-4000-500 B POLY	4-0 X 4-3/4 X 1/2 B	4.000	4.750	0.500	\$22.95	EA
3750-4000-500 STD POLY	4-0 X 4-3/4 X 1/2	4.000	4.750	0.500	\$22.95	EA
3750-4000-625 B POLY	4-0 X 4-3/4 X 5/8 B	4.000	4.750	0.625	\$22.95	EA
3750-4000-625 STD POLY	4-0 X 4-3/4 X 5/8	4.000	4.750	0.625	\$22.95	EA
5000-4000 POLY	4-0 X 5-0 X 1/2	4.000	5.000	0.500	\$28.35	EA
5000-4000-750 B POLY	4-0 X 5-0 X 3/4 B	4.000	5.000	0.750	\$31.14	EA
1870-4125 POLY	4-1/8 X 4-1/2 X 3/16	4.125	4.500	0.187	\$10.89	EA
1870-4125-250 B POLY	4-1/8 X 4-1/2 X 1/4 B	4.125	4.500	0.250	\$16.00	EA
1870-4125-375 B POLY	4-1/8 X 4-1/2 X 3/8 B	4.125	4.500	0.375	\$16.00	EA
2500-4125 SQB POLY	4-1/8 X 4-5/8 X 1/4 SQB	4.125	4.625	0.250	\$16.42	EA
3120-4125 POLY	4-1/8 X 4-3/4 X 5/16	4.125	4.750	0.312	\$16.42	EA

POLY PACKS

ITEM DESCRIPTION	SIZE	DIMENSIONS			LIST PRICE	UOM
		I.D.	O.D.	HGT		
3120-4125-500 B POLY	4-1/8 X 4-3/4 X 1/2 B	4.125	4.750	0.500	\$17.32	EA
3120-4125-562 B POLY	4-1/8 X 4-3/4 X 9/16 B	4.125	4.750	0.562	\$17.32	EA
3750-4125 POLY	4-1/8 X 4-7/8 X 3/8	4.125	4.875	0.375	\$21.37	EA
3750-4125-500 B POLY	4-1/8 X 4-7/8 X 1/2 B	4.125	4.875	0.500	\$21.60	EA
5000-4125 POLY	4-1/8 X 5-1/8 X 1/2	4.125	5.125	0.500	\$24.93	EA
1870-4250 POLY	4-1/4 X 4-5/8 X 3/16	4.250	4.625	0.187	\$15.25	EA
1870-4250-312 B POLY	4-1/4 X 4-5/8 X 5/16 B	4.250	4.625	0.312	\$16.64	EA
1870-4250-375 B POLY	4-1/4 X 4-5/8 X 3/8 B	4.250	4.625	0.375	\$16.76	EA
1870-4250-375 STD POLY	4-1/4 X 4-5/8 X 3/8	4.250	4.625	0.375	\$16.76	EA
2500-4250 POLY	4-1/4 X 4-3/4 X 1/4	4.250	4.750	0.250	\$15.78	EA
2500-4250-375 B POLY	4-1/4 X 4-3/4 X 3/8 B	4.250	4.750	0.375	\$15.78	EA
2500-4250-375 STD POLY	4-1/4 X 4-3/4 X 3/8	4.250	4.750	0.375	\$15.78	EA
2500-4250-562 B POLY	4-1/4 X 4-3/4 X 9/16 B	4.250	4.750	0.562	\$17.61	EA
3120-4250 SQB POLY	4-1/4 X 4-7/8 X 5/16 SQB	4.250	4.875	0.312	\$17.61	EA
3120-4250 STD POLY	4-1/4 X 4-7/8 X 5/16	4.250	4.875	0.312	\$17.61	EA
3120-4250-500 B POLY	4-1/4 X 4-7/8 X 1/2 B	4.250	4.875	0.500	\$17.61	EA
3750-4250 B-H POLY	4-1/4 X 5-0 B	4.250	5.000	0.375	\$16.69	EA
3750-4250 STD POLY	4-1/4 X 5-0 STD	4.250	5.000	0.375	\$24.00	EA
3750-4250-500 B POLY	4-1/4 X 5-0 X 1/2	4.250	5.000	0.500	\$24.00	EA
3750-4250-500 STD POLY	4-1/4 X 5-0 X 1/2	4.250	5.000	0.500	\$24.00	EA
3750-4250-625 B POLY	4-1/4 X 5-0 X 5/8 B	4.250	5.000	0.625	\$24.00	EA
3750-4250-625 STD POLY	4-1/4 X 5-0 X 5/8	4.250	5.000	0.625	\$29.96	EA
5000-4250-750 B POLY	4-1/4 X 5-1/4 X 3/4 B	4.250	5.250	0.750	\$31.14	EA
6250-4250 POLY	4-1/4 X 5-1/2 X 5/8	4.250	5.500	0.625	\$34.67	EA
1870-4375 POLY	4-3/8 X 4-3/4 X 3/16	4.375	4.750	0.187	\$12.49	EA
2500-4375 SQB POLY	4-3/8 X 4-7/8 X 1/4 SQB	4.375	4.875	0.250	\$15.18	EA
2500-4375 STD POLY	4-3/8 X 4-7/8 X 1/4	4.375	4.875	0.250	\$18.25	EA
3120-4375 STD POLY	4-3/8 X 5-0 X 5/16	4.375	5.000	0.312	\$15.50	EA
3120-4375 SQB POLY	4-3/8 X 5-0 X 5/16 SQB	4.375	5.000	0.312	\$18.25	EA
3120-4375-500 B POLY	4-3/8 X 5-0 X 1/2 B	4.375	5.000	0.500	\$18.25	EA
3120-4375 -500 STD POLY	4-3/8 X 5-0 X 5/16	4.375	5.000	0.312	\$18.25	EA
3120-4375-625 B POLY	4-3/8 X 5-0 X 5/8 B	4.375	5.000	0.625	\$18.38	EA
3750-4375 POLY	4-3/8 X 5-1/8 X 3/8	4.375	5.125	0.375	\$18.32	EA
3750-4375-500 POLY	4-3/8 X 5-1/8 X 1/2	4.375	5.125	0.500	\$18.32	EA
1870-4500 POLY	4-1/2 X 4-7/8 X 3/16	4.500	4.875	0.187	\$11.89	EA
1870-4500-375 B POLY	4-1/2 X 4-7/8 X 3/8 B	4.500	4.875	0.375	\$16.94	EA
2500-4500 SQB POLY	4-1/2 X 5-0 X 1/4 SQB	4.500	5.000	0.250	\$16.94	EA
2500-4500 STD POLY	4-1/2 X 5-0 X 1/4	4.500	5.000	0.250	\$16.94	EA
2500-4500-312 POLY	4-1/2 X 5-0 X 5/16	4.500	5.000	0.312	\$16.94	EA
2500-4500-375 B POLY	4-1/2 X 5-0 X 3/8 B	4.500	5.000	0.375	\$16.94	EA
2500-4500-375 STD POLY	4-1/2 X 5-0 X 3/8	4.500	5.000	0.375	\$16.94	EA
2500-4500-500 B POLY	4-1/2 X 5-0 X 1/2 B	4.500	5.000	0.500	\$16.94	EA
2500-4500-562 B POLY	4-1/2 X 5-0 X 9/16 B	4.500	5.000	0.562	\$17.11	EA
2500-4500-562 STD POLY	4-1/2 X 5-0 X 9/16	4.500	5.000	0.562	\$17.11	EA
2500-4500-625 B POLY	4-1/2 X 5-0 X 5/8 B	4.500	5.000	0.625	\$27.17	EA
3120-4500 POLY	4-1/2 X 5-1/8 X 5/16	4.500	5.125	0.312	\$18.36	EA
3120-4500-375 B POLY	4-1/2 X 5-1/8 X 3/8 B	4.500	5.125	0.375	\$18.62	EA
3120-4500-500 B POLY	4-1/2 X 5-1/8 X 1/2 B	4.500	5.125	0.500	\$18.80	EA
3120-4500-625 B POLY	4-1/2 X 5-1/8 X 5/8 B	4.500	5.125	0.625	\$19.22	EA

POLY PACKS

ITEM DESCRIPTION	SIZE	DIMENSIONS			LIST PRICE	UOM
		I.D.	O.D.	HGT		
3750-4500 SQB POLY	4-1/2 X 5-1/4 X 3/4 SQB	4.500	5.250	0.750	\$25.97	EA
3750-4500-375 STD POLY	4-1/2 X 5-1/4 X 3/4	4.500	5.250	0.375	\$25.97	EA
3750-4500 B POLY	4-1/2 X 5-1/4 X 3/4	4.500	5.250	0.375	\$31.51	EA
3750-4500-500 B POLY	4-1/2 X 5-1/4 X 1/2 B	4.500	5.250	0.500	\$26.26	EA
3750-4500-500 STD POLY	4-1/2 X 5-1/4 X 1/2	4.500	5.250	0.500	\$26.26	EA
3750-4500-625 B POLY	4-1/2 X 5-1/4 X 5/8 B	4.500	5.250	0.625	\$27.08	EA
5000-4500 POLY	4-1/2 X 5-1/2 X 1/2	4.500	5.500	0.500	\$31.51	EA
5000-4500-750 B POLY	4-1/2 X 5-1/2 X 3/4 B	4.500	5.500	0.750	\$34.80	EA
1870-4625 POLY	4-5/8 X 5-0 X 3/16	4.625	5.000	0.187	\$12.21	EA
1870-4625-375 B POLY	4-5/8 X 5-0 X 3/8 B	4.625	5.000	0.375	\$18.25	EA
2500-4625 SQB POLY	4-5/8 X 5-1/8 X 1/4 SQB	4.625	5.125	0.250	\$14.30	EA
2500-4625 STD POLY	4-5/8 X 5-1/8 X 1/4	4.625	5.125	0.250	\$14.30	EA
2500-4625-562 B POLY	4-5/8 X 5-1/8 X 9/16 B	4.625	5.125	0.562	\$16.14	EA
3750-4625 POLY	4-5/8 X 5-3/8 X 3/8	4.625	5.375	0.375	\$19.80	EA
3750-4625-625 B POLY	4-5/8 X 5-3/8 X 5/8 B	4.625	5.375	0.625	\$23.79	EA
3750-4625-625 STD POLY	4-5/8 X 5-3/8 X 5/8	4.625	5.375	0.625	\$23.79	EA
1870-4750 POLY	4-3/4 X 5-1/8 X 3/16	4.750	5.125	0.187	\$12.06	EA
2500-4750 POLY	4-3/4 X 5-1/4 X 1/4	4.750	5.250	0.250	\$14.69	EA
2500-4750-375 B POLY	4-3/4 X 5-1/4 X 3/8 B	4.750	5.250	0.375	\$18.10	EA
2500-4750-500 B POLY	4-3/4 X 5-1/4 X 1/2 B	4.750	5.250	0.500	\$18.10	EA
2500-4750-562 B POLY	4-3/4 X 5-1/4 X 9/16 B	4.750	5.250	0.562	\$18.10	EA
2500-4750-625 B POLY	4-3/4 X 5-1/4 X 5/8 B	4.750	5.250	0.625	\$19.43	EA
3120-4750 POLY	4-3/4 X 5-3/8 X 5/16	4.750	5.375	0.312	\$17.61	EA
3120-4750-625 B POLY	4-3/4 X 5-3/8 X 5/8 B	4.750	5.375	0.625	\$20.18	EA
3750-4750 POLY	4-3/4 X 5-1/2 X 3/8	4.750	5.500	0.375	\$24.26	EA
3750-4750-500 B POLY	4-3/4 X 5-1/2 X 1/2 B	4.750	5.500	0.500	\$26.37	EA
3750-4750-625 STD POLY	4-3/4 X 5-1/2 X 5/8 B	4.750	5.500	0.625	\$26.37	EA
3750-4750-625 B POLY	4-3/4 X 5-1/2 X 5/8 B	4.750	5.500	0.625	\$26.37	EA
5000-4750 POLY	4-3/4 X 5-3/4 X 1/2	4.750	5.750	0.500	\$27.61	EA
6250-4750 POLY	4-3/4 X 6-0 X 5/8	4.750	6.000	0.625	\$38.62	EA
1250-4875-250 B POLY	4-7/8 X 5-1/8 X 1/4 B	4.875	5.125	0.250	\$15.78	EA
1870-4875 POLY	4-7/8 X 5-1/4 X 3/16	4.875	5.250	0.187	\$17.42	EA
1870-4875-375 B POLY	4-7/8 X 5-1/4 X 3/8 B	4.875	5.250	0.375	\$19.47	EA
2500-4875 STD POLY	4-7/8 X 5-3/8 X 1/4	4.875	5.375	0.250	\$19.29	EA
2500-4875-375 B POLY	4-7/8 X 5-3/8 X 3/8 B	4.875	5.375	0.375	\$19.74	EA
1870-5000-375 B POLY	5-0 X 5-3/8 X 3/8 B	5.000	5.375	0.375	\$19.99	EA
2500-5000 POLY	5-0 X 5-1/2 X 1/4	5.000	5.500	0.250	\$19.41	EA
2500-5000-375 B POLY	5-0 X 5-1/2 X 3/8 B	5.000	5.500	0.375	\$34.65	EA
2500-5000-375 STD POLY	5-0 X 5-1/2 X 3/8	5.000	5.500	0.375	\$19.41	EA
2500-5000-500 B POLY	5-0 X 5-1/2 X 1/2 B	5.000	5.500	0.500	\$19.41	EA
2500-5000-500 STD POLY	5-0 X 5-1/2 X 1/2	5.000	5.500	0.500	\$19.41	EA
2500-5000-562 B POLY	5-0 X 5-1/2 X 9/16 B	5.000	5.500	0.562	\$19.41	EA
3120-5000 POLY	5-0 X 5-5/8 X 5/16	5.000	5.625	0.312	\$18.80	EA
3120-5000-625 B POLY	5-0 X 5-5/8 X 5/8 B	5.000	5.625	0.625	\$21.45	EA
3750-5000 B POLY	5-0 X 5-3/4 X 3/8 B	5.000	5.750	0.375	\$32.02	EA
3750-5000 STD POLY	5-0 X 5-3/4 X 3/8	5.000	5.750	0.375	\$32.02	EA
3750-5000-375 B POLY	5-0 X 5-3/4 X 1/2 B	5.000	5.750	0.375	\$32.02	EA
3750-5000-500 B POLY	5-0 X 5-3/4 X 1/2 B	5.000	5.750	0.500	\$32.02	EA
3750-5000-625 B POLY	5-0 X 5-3/4 X 5/8 B	5.000	5.750	0.625	\$32.16	EA

POLY PACKS

ITEM DESCRIPTION	SIZE	DIMENSIONS			LIST PRICE	UOM
		I.D.	O.D.	HGT		
3750-5000-625 STD POLY	5-0 X 5-3/4 X 5/8	5.000	5.750	0.625	\$32.31	EA
5000-5000 POLY	5-0 X 6-0 X 1/2	5.000	6.000	0.500	\$34.65	EA
5000-5000-750 B POLY	5-0 X 6-0 X 3/4 B	5.000	6.000	0.750	\$38.08	EA
5000-5000-750 STD POLY	5-0 X 6-0 X 3/4	5.000	6.000	0.750	\$38.08	EA
5000-5125 POLY	5-1/8 X 6-1/8 X 1/2	5.125	6.125	0.500	\$35.33	EA
2500-5250 POLY	5-1/4 X 5-3/4 X 1/4	5.250	5.750	0.250	\$18.92	EA
2500-5250-375 B POLY	5-1/4 X 5-3/4 X 3/8 B	5.250	5.750	0.375	\$30.71	EA
2500-5250-375 STD POLY	5-1/4 X 5-3/4 X 3/8	5.250	5.750	0.375	\$30.71	EA
2500-5250-562 B POLY	5-1/4 X 5-3/4 X 9/16 B	5.250	5.750	0.562	\$31.56	EA
3120-5250-625 B POLY	5-1/4 X 5-7/8 X 5/8 B	5.250	5.875	0.625	\$31.56	EA
3750-5250 POLY	5-1/4 X 6-0 X 3/8	5.250	6.000	0.375	\$35.29	EA
3750-5250-500 B POLY	5-1/4 X 6-0 X 1/2 B	5.250	6.000	0.500	\$38.34	EA
3750-5250-500 STD POLY	5-1/4 X 6-0 X 1/2	5.250	6.000	0.500	\$38.34	EA
3750-5250-625 B POLY	5-1/4 X 6-0 X 5/8 B	5.250	6.000	0.625	\$38.73	EA
3750-5250-750 B POLY	5-1/4 X 6-0 X 3/4 B	5.250	6.000	0.750	\$38.73	EA
5000-5250-750 B POLY	5-1/4 X 6-1/4 X 3/4 B	5.250	6.250	0.750	\$38.73	EA
3120-5375 POLY	5-3/8 X 6-0 X 5/16	5.375	6.000	0.312	\$19.99	EA
3120-5375-250 POLY	5-3/8 X 6-0 X 1/4	5.375	6.000	0.250	\$12.86	EA
3120-5375-375 B POLY	5-3/8 X 6-0 X 3/8 B	5.375	6.000	0.375	\$22.19	EA
3120-5375-625 B POLY	5-3/8 X 6-0 X 5/8 B	5.375	6.000	0.625	\$24.06	EA
3750-5375 POLY	5-3/8 X 6-1/8 X 3/8	5.375	6.125	0.375	\$25.08	EA
5000-5375 POLY	5-3/8 X 6-3/8 X 1/2	5.375	6.375	0.500	\$36.92	EA
2500-5500 POLY	5-1/2 X 6-0 X 1/4	5.500	6.000	0.250	\$21.12	EA
2500-5500-375 B POLY	5-1/2 X 6-0 X 3/8 B	5.500	6.000	0.375	\$23.92	EA
2500-5500-375 STD POLY	5-1/2 X 6-0 X 3/8	5.500	6.000	0.375	\$23.92	EA
2500-5500-500 B POLY	5-1/2 X 6-0 X 1/2 B	5.500	6.000	0.500	\$23.92	EA
2500-5500-562 B POLY	5-1/2 X 6-0 X 9/16 B	5.500	6.000	0.562	\$23.92	EA
3120-5500 POLY	5-1/2 X 6-1/8 X 5/16	5.500	6.125	0.312	\$24.74	EA
3750-5500 B POLY	5-1/2 X 6-1/4 X 3/8 B	5.500	6.250	0.375	\$41.55	EA
3750-5500 STD POLY	5-1/2 X 6-1/4 X 3/8	5.500	6.250	0.375	\$41.55	EA
3750-5500-500 B POLY	5-1/2 X 6-1/4 X 1/2 B	5.500	6.250	0.500	\$41.60	EA
3750-5500-625 B POLY	5-1/2 X 6-1/4 X 5/8 B	5.500	6.250	0.625	\$41.60	EA
5000-5500 POLY	5-1/2 X 6-1/2 X 1/2	5.500	6.500	0.500	\$43.71	EA
5000-5500-750 B POLY	5-1/2 X 6-1/2 X 3/4 B	5.500	6.500	0.750	\$43.71	EA
5000-5500-750 STD POLY	5-1/2 X 6-1/2 X 3/4	5.500	6.500	0.750	\$43.71	EA
6250-5500 POLY	5-1/2 X 6-3/4 X 5/8	5.500	6.750	0.625	\$44.47	EA
3750-5625 POLY	5-5/8 X 6-3/8 X 3/8	5.625	6.375	0.375	\$28.40	EA
1870-5750-375 B POLY	5-3/4 X 6-1/8 X 3/8 B	5.750	6.125	0.375	\$28.40	EA
2500-5750 POLY	5-3/4 X 6-1/4 X 1/4	5.750	6.250	0.250	\$28.69	EA
2500-5750-375 B POLY	5-3/4 X 6-1/4 X 3/8 B	5.750	6.250	0.375	\$31.10	EA
2500-5750-562 B POLY	5-3/4 X 6-1/4 X 9/16 B	5.750	6.250	0.562	\$31.10	EA
3120-5750 POLY	5-3/4 X 6-3/8 X 5/16	5.750	6.375	0.312	\$27.17	EA
3120-5750-625 B POLY	5-3/4 X 6-3/8 X 5/8 B	5.750	6.375	0.625	\$27.17	EA
3750-5750 POLY	5-3/4 X 6-1/2 X 3/8	5.750	6.500	0.375	\$29.13	EA
3750-5750-500 B POLY	5-3/4 X 6-1/2 X 1/2 B	5.750	6.500	0.500	\$31.03	EA
3750-5750-500 STD POLY	5-3/4 X 6-1/2 X 1/2	5.750	6.500	0.500	\$31.03	EA
3750-5750-625 B POLY	5-3/4 X 6-1/2 X 5/8 B	5.750	6.500	0.625	\$31.03	EA
3750-5750-625 STD POLY	5-3/4 X 6-1/2 X 5/8	5.750	6.500	0.625	\$31.03	EA
5000-5750 POLY	5-3/4 X 6-3/4 X 1/2	5.750	6.750	0.500	\$32.68	EA

POLY PACKS

ITEM DESCRIPTION	SIZE	DIMENSIONS			LIST PRICE	UOM
		I.D.	O.D.	HGT		
5000-5750-750 B POLY	5-3/4 X 6-3/4 X 3/4 B	5.750	6.750	0.750	\$35.63	EA
3750-5875-625 B POLY	5-7/8 X 6-5/8 X 5/8 B	5.875	6.625	0.625	\$31.52	EA
2500-6000 POLY	6-0 X 6-1/2 X 1/4	6.000	6.500	0.250	\$22.69	EA
2500-6000-375 B POLY	6-0 X 6-1/2 X 3/8 B	6.000	6.500	0.375	\$25.03	EA
2500-6000-375 STD POLY	6-0 X 6-1/2 X 3/8	6.000	6.500	0.375	\$25.03	EA
2500-6000-500 B POLY	6-0 X 6-1/2 X 1/2 B	6.000	6.500	0.500	\$25.03	EA
2500-6000-562 B POLY	6-0 X 6-1/2 X 9/16 B	6.000	6.500	0.562	\$25.03	EA
2500-6000-562 STD POLY	6-0 X 6-1/2 X 9/16	6.000	6.500	0.562	\$25.03	EA
3120-6000 POLY	6-0 X 6-5/8 X 5/16	6.000	6.625	0.312	\$32.60	EA
3120-6000-625 B POLY	6-0 X 6-5/8 X 5/8 B	6.000	6.625	0.625	\$32.60	EA
3750-6000 B POLY	6-0 X 6-3/4 X 3/8 B	6.000	6.750	0.375	\$36.55	EA
3750-6000 STD POLY	6-0 X 6-3/4 X 3/8	6.000	6.750	0.375	\$36.55	EA
3750-6000-625 B POLY	6-0 X 6-3/4 X 5/8 B	6.000	6.750	0.625	\$37.98	EA
3750-6000-750 POLY	6-0 X 6-3/4 X 3/4	6.000	6.750	0.750	\$38.73	EA
5000-6000 POLY	6-0 X 7-0 X 1/2	6.000	7.000	0.500	\$39.54	EA
5000-6000-750 B POLY	6-0 X 7-0 X 3/4 B	6.000	7.000	0.750	\$41.87	EA
6250-6000 B POLY	6-0 X 7-1/4 X 5/8 B	6.000	7.250	0.625	\$53.26	EA
6250-6000 STD POLY	6-0 X 7-1/4 X 5/8	6.000	7.250	0.625	\$53.26	EA
2500-6250 POLY	6-1/4 X 6-3/4 X 1/4	6.250	6.750	0.250	\$21.42	EA
3120-6250 POLY	6-1/4 X 6-7/8 X 5/16	6.250	6.875	0.312	\$22.46	EA
3750-6250 POLY	6-1/4 X 7-0 X 3/8	6.250	7.000	0.375	\$30.37	EA
3750-6250-500 B POLY	6-1/4 X 7-0 X 1/2	6.250	7.000	0.500	\$32.82	EA
3750-6250-500 STD POLY	6-1/4 X 7-0 X 1/2	6.250	7.000	0.500	\$32.82	EA
3750-6250-625 B POLY	6-1/4 X 7-0 X 5/8 B	6.250	7.000	0.625	\$32.82	EA
3750-6250-625 STD POLY	6-1/4 X 7-0 X 5/8	6.250	7.000	0.625	\$32.82	EA
5000-6250 POLY	6-1/4 X 7-1/4 X 1/2	6.250	7.250	0.500	\$39.81	EA
5000-6250-750 B POLY	6-1/4 X 7-1/4 X 3/4 B	6.250	7.250	0.750	\$42.07	EA
3120-6375 POLY	6-3/8 X 7-0 X 5/16	6.375	7.000	0.312	\$25.78	EA
3120-6375-625 B POLY	6-3/8 X 7-0 X 5/8 B	6.375	7.000	0.625	\$29.99	EA
2500-6500 POLY	6-1/2 X 7-0 X 1/4	6.500	7.000	0.250	\$22.12	EA
2500-6500-375 B POLY	6-1/2 X 7-0 X 3/8 B	6.500	7.000	0.375	\$26.90	EA
2500-6500-500 B POLY	6-1/2 X 7-0 X 1/2 B	6.500	7.000	0.500	\$26.90	EA
2500-6500-562 B POLY	6-1/2 X 7-0 X 9/16 B	6.500	7.000	0.562	\$26.90	EA
3120-6500 POLY	6-1/2 X 7-1/8 X 5/16	6.500	7.125	0.312	\$27.87	EA
3750-6500 POLY	6-1/2 X 7-1/4 X 3/8	6.500	7.250	0.375	\$33.98	EA
3750-6500-500 B POLY	6-1/2 X 7-1/4 X 1/2 B	6.500	7.250	0.500	\$35.18	EA
3750-6500-625 B POLY	6-1/2 X 7-1/4 X 5/8 B	6.500	7.250	0.625	\$35.18	EA
3750-6500-625 STD POLY	6-1/2 X 7-1/4 X 5/8	6.500	7.250	0.625	\$35.18	EA
5000-6500-750 B POLY	6-1/2 X 7-1/2 X 3/4 B	6.500	7.500	0.750	\$37.35	EA
6250-6500 POLY	6-1/2 X 7-3/4 X 5/8	6.500	7.750	0.625	\$52.72	EA
3120-6625 POLY	6-5/8 X 7-1/4 X 5/16	6.625	7.250	0.312	\$37.26	EA
2500-6750 POLY	6-3/4 X 7-1/4 X 1/4	6.750	7.250	0.250	\$24.26	EA
2500-6750-375 B POLY	6-3/4 X 7-1/4 X 3/8 B	6.750	7.250	0.375	\$27.99	EA
2500-6750-500 B POLY	6-3/4 X 7-1/4 X 1/2 B	6.750	7.250	0.500	\$27.99	EA
2500-6750-562 B POLY	6-3/4 X 7-1/4 X 9/16 B	6.750	7.250	0.562	\$27.99	EA
3120-6750-312 POLY	6-3/4 X 7-3/8 X 5/16	6.750	7.375	0.312	\$28.44	EA
3120-6750-625 B POLY	6-3/4 X 7-3/8 X 5/8 B	6.750	7.375	0.625	\$31.81	EA
3750-6750 B POLY	6-3/4 X 7-1/2 X 3/8 B	6.750	7.500	0.375	\$32.39	EA
3750-6750 STD POLY	6-3/4 X 7-1/2 X 3/8	6.750	7.500	0.375	\$32.39	EA

POLY PACKS

ITEM DESCRIPTION	SIZE	DIMENSIONS			LIST PRICE	UOM
		I.D.	O.D.	HGT		
3750-6750-500 B POLY	6-3/4 X 7-1/2 X 1/2 B	6.750	7.500	0.500	\$35.18	EA
3750-6750-625 B POLY	6-3/4 X 7-1/2 X 5/8 B	6.750	7.500	0.625	\$35.18	EA
5000-6750-750 POLY	6-3/4 X 7-3/4 X 3/4	6.750	7.750	0.750	\$38.55	EA
6250-6750 POLY	6-3/4 X 8-0 X 5/8	6.750	8.000	0.625	\$53.75	EA
2500-7000 POLY	7-0 X 7-1/2 X 1/4	7.000	7.500	0.250	\$23.54	EA
2500-7000-375 B POLY	7-0 X 7-1/2 X 3/8 B	7.000	7.500	0.375	\$29.14	EA
2500-7000-500 B POLY	7-0 X 7-1/2 X 1/2 B	7.000	7.500	0.500	\$29.14	EA
2500-7000-562 B POLY	7-0 X 7-1/2 X 9/16 B	7.000	7.500	0.562	\$31.70	EA
3120-7000 POLY	7-0 X 7-5/8 X 5/16	7.000	7.625	0.312	\$29.48	EA
3120-7000-625 B POLY	7-0 X 7-5/8 X 5/8 B	7.000	7.625	0.625	\$28.22	EA
3750-7000-500 B POLY	7-0 X 7-3/4 X 1/2 B	7.000	7.750	0.500	\$25.32	EA
3120-7000-625 B POLY	7-0 X 7-5/8 X 5/8 B	7.000	7.625	0.625	\$33.24	EA
3750-7000 POLY	7-0 X 7-3/4 X 5/8	7.000	7.750	0.375	\$33.28	EA
3750-7000-500 B POLY	7-0 X 7-3/4 X 1/2 B	7.000	7.750	0.500	\$36.33	EA
3750-7000-625 STD POLY	7-0 X 7-3/4 X 5/8	7.000	7.750	0.625	\$36.33	EA
5000-7000 POLY	7-0 X 8-0 X 1/2	7.000	8.000	0.500	\$42.59	EA
5000-7000-750 B POLY	7-0 X 8-0 X 3/4 B	7.000	8.000	0.750	\$45.99	EA
5000-7000-750 STD POLY	7-0 X 8-0 X 3/4	7.000	8.000	0.750	\$45.99	EA
2500-7250 POLY	7-1/4 X 7-3/4 X 1/4	7.250	7.750	0.250	\$24.20	EA
2500-7250-562 B POLY	7-1/4 X 7-3/4 X 9/16 B	7.250	7.750	0.562	\$32.38	EA
3120-7250 POLY	7-1/4 X 7-7/8 X 5/16	7.250	7.875	0.312	\$30.56	EA
3750-7250 POLY	7-1/4 X 8-0 X 3/8	7.250	8.000	0.375	\$34.20	EA
3750-7250-500 B POLY	7-1/4 X 8-0 X 1/2 B	7.250	8.000	0.500	\$37.93	EA
3750-7250-500 STD POLY	7-1/4 X 8-0 X 1/2	7.250	8.000	0.500	\$37.93	EA
3750-7250-625 B POLY	7-1/4 X 8-0 X 5/8 B	7.250	8.000	0.625	\$37.93	EA
3750-7250-750 B POLY	7-1/4 X 8-0 X 3/4 B	7.250	8.000	0.750	\$37.93	EA
5000-7250 POLY	7-1/4 X 8-1/4 X 1/2	7.250	8.250	0.500	\$43.60	EA
5000-7250-750 B POLY	7-1/4 X 8-1/4 X 3/4 B	7.250	8.250	0.750	\$47.57	EA
6250-7250 POLY	7-1/4 X 8-1/2 X 5/8	7.250	8.500	0.625	\$112.21	EA
3120-7375 POLY	7-3/8 X 8-0 X 5/16	7.375	8.000	0.312	\$34.77	EA
5000-7375 POLY	7-3/8 X 8-3/8 X 1/2	7.375	8.375	0.500	\$44.31	EA
2500-7500 POLY	7-1/2 X 8-0 X 1/4	7.500	8.000	0.250	\$27.75	EA
2500-7500-375 B POLY	7-1/2 X 8-0 X 3/8 B	7.500	8.000	0.375	\$31.49	EA
2500-7500-500 B POLY	7-1/2 X 8-0 X 1/2 B	7.500	8.000	0.500	\$31.49	EA
2500-7500-562 B POLY	7-1/2 X 8-0 X 9/16 B	7.500	8.000	0.562	\$31.49	EA
3120-7500 POLY	7-1/2 X 8-1/8 X 5/16	7.500	8.125	0.312	\$32.35	EA
3750-7500 POLY	7-1/2 X 8-1/4 X 3/8	7.500	8.250	0.375	\$35.59	EA
3750-7500-625 B POLY	7-1/2 X 8-1/4 X 5/8 B	7.500	8.250	0.625	\$40.08	EA
5000-7500 POLY	7-1/2 X 8-1/2 X 1/2	7.500	8.500	0.500	\$41.22	EA
5000-7500-750 POLY	7-1/2 X 8-1/2 X 3/4	7.500	8.500	0.750	\$49.07	EA
3750-7625 POLY	7-5/8 X 8-3/8 X 3/8	7.625	8.375	0.375	\$35.63	EA
2500-7750-375 POLY	7-3/4 X 8-1/4 X 3/8	7.750	8.250	0.375	\$46.78	EA
3120-7750 POLY	7-3/4 X 8-3/8 X 5/16	7.750	8.375	0.312	\$32.88	EA
3750-7750 POLY	7-3/4 X 8-1/2 X 3/8	7.750	8.500	0.375	\$36.46	EA
3750-7750-500 B POLY	7-3/4 X 8-1/2 X 1/2 B	7.750	8.500	0.500	\$39.98	EA
3750-7750-625 B POLY	7-3/4 X 8-1/2 X 5/8 B	7.750	8.500	0.625	\$39.98	EA
5000-7750-625 B POLY	7-3/4 X 8-3/4 X 5/8 B	7.750	8.750	0.625	\$37.61	EA
2500-8000 POLY	8-0 X 8-1/2 X 1/4	8.000	8.500	0.250	\$27.86	EA
2500-8000-375 B POLY	8-0 X 8-1/2 X 3/8 B	8.000	8.500	0.375	\$33.69	EA

POLY PACKS

ITEM DESCRIPTION	SIZE	DIMENSIONS			LIST PRICE	UOM
		I.D.	O.D.	HGT		
2500-8000-562 B POLY	8-0 X 8-1/2 X 9/16 B	8.000	8.500	0.562	\$33.69	EA
3120-8000 POLY	8-0 X 8-5/8 X 5/16	8.000	8.625	0.312	\$34.72	EA
3120-8000-500 B POLY	8-0 X 8-5/8 X 1/2 B	8.000	8.625	0.500	\$37.11	EA
3750-8000 POLY	8-0 X 8-3/4 X 3/8	8.000	8.750	0.375	\$38.79	EA
3750-8000-625 B POLY	8-0 X 8-3/4 X 5/8 B	8.000	8.750	0.625	\$40.84	EA
5000-8000 POLY	8-0 X 9-0 X 1/2	8.000	9.000	0.500	\$47.56	EA
5000-8000-750 B POLY	8-0 X 9-0 X 3/4 B	8.000	9.000	0.750	\$52.37	EA
5000-8000-750 STD POLY	8-0 X 9-0 X 3/4	8.000	9.000	0.750	\$52.37	EA
6250-8000 POLY	8-0 X 9-1/4 X 5/8	8.000	9.250	0.625	\$52.37	EA
5000-8125 POLY	8-1/8 X 9-1/8 X 1/2	8.125	9.125	0.500	\$48.24	EA
2500-8250 POLY	8-1/4 X 8-3/4 X 1/4	8.250	8.750	0.250	\$24.91	EA
3120-8250 POLY	8-1/4 X 8-7/8 X 5/16	8.250	8.875	0.312	\$31.08	EA
3750-8250 B POLY	8-1/4 X 9-0 X 3/8 B	8.250	9.000	0.375	\$39.89	EA
3750-8250 STD POLY	8-1/4 X 9-0 X 3/8	8.250	9.000	0.375	\$39.89	EA
3750-8250-625 B POLY	8-1/4 X 9-0 X 5/8 B	8.250	9.000	0.625	\$43.02	EA
3750-8250-625 STD POLY	8-1/4 X 9-0 X 5/8	8.250	9.000	0.625	\$43.02	EA
5000-8250 POLY	8-1/4 X 9-1/4 X 1/2	8.250	9.250	0.500	\$45.09	EA
6250-8250 POLY	8-1/4 X 9-1/2 X 5/8	8.250	9.500	0.625	\$45.09	EA
2500-8500 POLY	8-1/2 X 9-0 X 1/4	8.500	9.000	0.250	\$33.91	EA
2500-8500-375 B POLY	8-1/2 X 9-0 X 3/8 B	8.500	9.000	0.375	\$35.92	EA
2500-8500-500 B POLY	8-1/2 X 9-0 X 1/2 B	8.500	9.000	0.500	\$35.92	EA
2500-8500-562 B POLY	8-1/2 X 9-0 X 9/16 B	8.500	9.000	0.562	\$35.92	EA
3120-8500 POLY	8-1/2 X 9-1/8 X 5/16	8.500	9.125	0.312	\$36.42	EA
3750-8500 POLY	8-1/2 X 9-1/4 X 3/8	8.500	9.250	0.375	\$62.94	EA
3750-8500-625 B POLY	8-1/2 X 9-1/4 X 5/8 B	8.500	9.250	0.625	\$62.94	EA
5000-8500-750 B POLY	8-1/2 X 9-1/2 X 3/4 B	8.500	9.500	0.750	\$64.55	EA
7500-8500 POLY	8-1/2 X 10-0 X 3/4	8.500	10.000	0.750	\$101.17	EA
2500-8750 POLY	8-3/4 X 9-1/4 X 1/4	8.750	9.250	0.250	\$36.46	EA
5000-8750 POLY	8-3/4 X 9-3/4 X 1/2	8.750	9.750	0.500	\$44.42	EA
5000-8750-750 B POLY	8-3/4 X 9-3/4 X 3/4 B	8.750	9.750	0.750	\$91.24	EA
2500-9000 POLY	9-0 X 9-1/2 X 1/4	9.000	9.500	0.250	\$40.97	EA
3750-9000-625 POLY	9-0 X 9-3/4 X 5/8	9.000	9.750	0.625	\$86.59	EA
5000-9000 POLY	9-0 X 10-0 X 1/2	9.000	10.000	0.500	\$57.38	EA
5000-9000-750 POLY	9-0 X 10-0 X 3/4	9.000	10.000	0.750	\$88.26	EA
5000-9000-750 B POLY	9-0 X 10-0 X 3/4	9.000	10.000	0.750	\$88.26	EA
2500-9250 POLY	9-1/4 X 9-3/4 X 1/4	9.250	9.750	0.250	\$86.90	EA
3750-9250 POLY	9-1/4 X 10-0 X 3/8	9.250	10.000	0.375	\$57.53	EA
3750-9250-500 POLY	9-1/4 X 10-0 X 1/2	9.250	10.000	0.500	\$60.14	EA
3750-9250-625 POLY	9-1/4 X 10-0 X 5/8	9.250	10.000	0.625	\$63.01	EA
3440-9312 POLY	9-5/16 X 10-0 X 11/32	9.312	10.000	0.344	\$63.01	EA
3120-9375-625 B POLY	9-3/8 X 10-0 X 5/8 B	9.375	10.000	0.625	\$66.82	EA
2500-9500 POLY	9-1/2 X 10-0 X 1/4	9.500	10.000	0.250	\$52.87	EA
2500-9500-562 POLY	9-1/2 X 10-0 X 9/16	9.500	10.000	0.562	\$56.32	EA
5000-9500-750 B POLY	9-1/2 X 10-1/2 X 3/4 B	9.500	10.500	0.750	\$87.94	EA
2500-9750 POLY	9-3/4 X 10-1/4 X 1/4	9.750	10.250	0.250	\$57.15	EA
3750-9750-625 POLY	9-3/4 X 10-1/2 X 5/8	9.750	10.500	0.625	\$58.54	EA
5000-9750 POLY	9-3/4 X 10-3/4 X 1/2	9.750	10.750	0.500	\$127.70	EA
2500-10000 POLY	10-0 X 10-1/2 X 1/4	10.000	10.500	0.250	\$47.28	EA
2500-10000-562 B POLY	10-0 X 10-1/2 X 9/16 B	10.000	10.500	0.562	\$50.15	EA

POLY PACKS						
ITEM DESCRIPTION	SIZE	DIMENSIONS			LIST PRICE	UOM
		I.D.	O.D.	HGT		
5000-10000 POLY	10-0 X 11-0 X 1/2	10.000	11.000	0.500	\$70.73	EA
5000-10000-750 B POLY	10-0 X 11-0 X 3/4 B	10.000	11.000	0.750	\$73.48	EA
3750-10750-625 POLY	10-3/4 X 11-1/2 X 5/8	10.750	11.500	0.625	\$119.18	EA
5000-11000 POLY	11-0 X 12-0 X 1/2	11.000	12.000	0.500	\$95.59	EA
5000-11000-750 B POLY	11-0 X 12-0 X 3/4 B	11.000	12.000	0.750	\$146.32	EA
500-11000-750 STD POLY	11-0 X 12-0 X 3/4 B	11.000	12.000	0.750	\$146.32	EA
2500-11250 POLY	11-1/4 X 11-3/4 X 1/4	11.250	11.750	0.250	\$67.74	EA
3750-11250 POLY	11-1/4 X 12-0 X 3/8	11.250	12.000	0.375	\$71.04	EA
3750-11250-625 POLY	11-1/4 X 12-0 X 5/8	11.250	12.000	0.625	\$83.20	EA
2500-11500 POLY	11-1/2 X 12-0 X 1/4	11.500	12.000	0.250	\$83.00	EA
500-12.000-750 POLY	12-0 X 13-0 X 3/4	12.000	13.000	0.750	\$143.15	EA
7500-12500 POLY	12-1/2 X 14-0 X 3/4	12.500	14.000	0.750	\$175.82	EA
5000-13000 POLY	13-0 X 14-0 X 1/2	13.000	14.000	0.500	\$148.62	EA
5000-13000-750 POLY	13-0 X 14-0 X 3/4	13.000	14.000	0.750	\$158.81	EA

**QUALITY AND
RELIABLE SERVICE!
LOW SHIPPING
COSTS!**

DISOGRIN SPECIFICATIONS

- Compound 9250
 - Manufactured in US and Mexico
 - Inch Sizes
 - 40°F to constant 250°F with peaks at 300°F
 - Low-High Temperature Capabilities
 - Radiation Resistant
 - Highest standards in industry for toughness, and pressure tolerance
 - Excellent abrasion resistance
-
-

PISTON SEALS



- Unidirectional and bi-directional
 - Standard cylinders
 - Light to heavy duty mobile hydraulics
 - Industrial machinery
-
-

ROD SEALS



U-Cup – static and dynamic sealing features

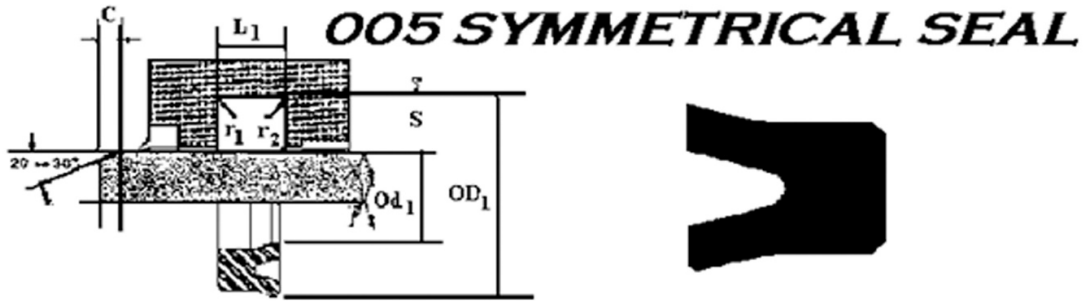
- Standard cylinders
 - Light to heavy duty service
 - Industrial machinery
-
-

SYMMETRICAL SEALS



- Designed to perform dynamic sealing functions on ID or OD
- Standard low to medium duty cylinders
- Light duty mobile hydraulics
- Medium duty industrial machinery

U-CUPS (HYDRAULIC)



TYPE 005 DISOGRIN® SYMMETRICAL SEALS

ITEM DESCRIPTION	I.D.	O.D.	HGT.	LIST PRICE	UOM
005-001 SYMMETRICAL SEAL	0.125	0.375	0.250	\$5.12	EA
005-002 SYMMETRICAL SEAL	0.125	0.375	0.187	\$5.12	EA
005-003 SYMMETRICAL SEAL	0.125	0.375	0.125	\$5.12	EA
005-004 SYMMETRICAL SEAL	0.187	0.437	0.250	\$5.16	EA
005-005 SYMMETRICAL SEAL	0.187	0.437	0.187	\$5.16	EA
005-006 SYMMETRICAL SEAL	0.187	0.437	0.125	\$5.16	EA
005-007 SYMMETRICAL SEAL	0.250	0.500	0.250	\$5.16	EA
005-008 SYMMETRICAL SEAL	0.250	0.500	0.187	\$5.12	EA
005-009 SYMMETRICAL SEAL	0.250	0.500	0.125	\$5.12	EA
005-010 SYMMETRICAL SEAL	0.250	0.625	0.312	\$5.56	EA
005-011 SYMMETRICAL SEAL	0.250	0.625	0.250	\$5.41	EA
005-012 SYMMETRICAL SEAL	0.250	0.625	0.187	\$5.36	EA
005-013 SYMMETRICAL SEAL	0.250	0.750	0.375	\$7.35	EA
005-014 SYMMETRICAL SEAL	0.250	0.750	0.312	\$7.06	EA
005-015 SYMMETRICAL SEAL	0.250	0.750	0.250	\$6.77	EA
005-016 SYMMETRICAL SEAL	0.312	0.562	0.250	\$5.36	EA
005-017 SYMMETRICAL SEAL	0.312	0.562	0.187	\$5.27	EA
005-018 SYMMETRICAL SEAL	0.312	0.562	0.125	\$5.27	EA
005-021 SYMMETRICAL SEAL	0.312	0.812	0.250	\$6.77	EA
005-022 SYMMETRICAL SEAL	0.375	0.625	0.250	\$5.51	EA
005-023 SYMMETRICAL SEAL	0.375	0.625	0.187	\$5.51	EA
005-024 SYMMETRICAL SEAL	0.375	0.625	0.125	\$5.41	EA
005-025 SYMMETRICAL SEAL	0.375	0.750	0.312	\$5.56	EA
005-026 SYMMETRICAL SEAL	0.375	0.750	0.250	\$5.56	EA
005-027 SYMMETRICAL SEAL	0.375	0.750	0.187	\$5.56	EA
005-028 SYMMETRICAL SEAL	0.375	0.875	0.375	\$7.16	EA
005-029 SYMMETRICAL SEAL	0.375	0.875	0.312	\$7.02	EA
005-030 SYMMETRICAL SEAL	0.375	0.875	0.250	\$6.77	EA
005-031 SYMMETRICAL SEAL	0.437	0.688	0.250	\$6.09	EA
005-032 SYMMETRICAL SEAL	0.437	0.688	0.187	\$5.94	EA
005-033 SYMMETRICAL SEAL	0.437	0.688	0.125	\$3.99	EA
005-034 SYMMETRICAL SEAL	0.500	0.750	0.250	\$5.70	EA

TYPE 005 DISOGRIN® SYMMETRICAL SEALS

ITEM DESCRIPTION	I.D.	O.D.	HGT.	LIST PRICE	UOM
005-035 SYMMETRICAL SEAL	0.500	0.750	0.187	\$5.65	EA
005-036 SYMMETRICAL SEAL	0.500	0.750	0.125	\$5.56	EA
005-037 SYMMETRICAL SEAL	0.500	0.875	0.312	\$6.09	EA
005-038 SYMMETRICAL SEAL	0.500	0.875	0.250	\$6.04	EA
005-039 SYMMETRICAL SEAL	0.500	0.875	0.187	\$5.94	EA
005-040 SYMMETRICAL SEAL	0.500	1.000	0.375	\$7.06	EA
005-042 SYMMETRICAL SEAL	0.500	1.000	0.250	\$6.77	EA
005-043 SYMMETRICAL SEAL	0.562	0.812	0.250	\$5.85	EA
005-044 SYMMETRICAL SEAL	0.562	0.812	0.187	\$5.80	EA
005-045 SYMMETRICAL SEAL	0.562	0.812	0.125	\$5.80	EA
005-046 SYMMETRICAL SEAL	0.562	0.937	0.312	\$6.09	EA
005-047 SYMMETRICAL SEAL	0.562	0.937	0.250	\$6.09	EA
005-048 SYMMETRICAL SEAL	0.562	0.937	0.187	\$6.09	EA
005-052 SYMMETRICAL SEAL	0.625	0.875	0.250	\$5.94	EA
005-053 SYMMETRICAL SEAL	0.625	0.875	0.187	\$5.94	EA
005-054 SYMMETRICAL SEAL	0.625	0.875	0.125	\$5.94	EA
005-055 SYMMETRICAL SEAL	0.625	1.000	0.312	\$6.24	EA
005-056 SYMMETRICAL SEAL	0.625	1.000	0.250	\$6.24	EA
005-057 SYMMETRICAL SEAL	0.625	1.000	0.187	\$6.18	EA
005-058 SYMMETRICAL SEAL	0.625	1.125	0.375	\$7.22	EA
005-060 SYMMETRICAL SEAL	0.625	1.125	0.250	\$6.91	EA
005-062 SYMMETRICAL SEAL	0.687	1.062	0.312	\$6.24	EA
005-065 SYMMETRICAL SEAL	0.687	1.187	0.375	\$7.22	EA
005-067 SYMMETRICAL SEAL	0.687	1.187	0.250	\$6.77	EA
005-068 SYMMETRICAL SEAL	0.750	1.000	0.250	\$6.18	EA
005-068Z SYMMETRICAL SEAL	0.750	1.000	0.160	\$6.10	EA
005-069 SYMMETRICAL SEAL	0.750	1.000	0.187	\$6.18	EA
005-070 SYMMETRICAL SEAL	0.750	1.000	0.125	\$6.09	EA
005-071 SYMMETRICAL SEAL	0.750	1.125	0.312	\$6.38	EA
005-072 SYMMETRICAL SEAL	0.750	1.125	0.250	\$6.38	EA
005-073 SYMMETRICAL SEAL	0.750	1.125	0.187	\$6.18	EA
005-074 SYMMETRICAL SEAL	0.750	1.250	0.375	\$7.35	EA
005-076 SYMMETRICAL SEAL	0.750	1.250	0.250	\$6.77	EA
005-077 SYMMETRICAL SEAL	0.812	1.062	0.250	\$6.33	EA
005-079 SYMMETRICAL SEAL	0.812	1.062	0.125	\$5.85	EA
005-080 SYMMETRICAL SEAL	0.812	1.187	0.312	\$6.33	EA
005-081 SYMMETRICAL SEAL	0.812	1.187	0.250	\$6.33	EA
005-083 SYMMETRICAL SEAL	0.812	1.312	0.375	\$7.22	EA
005-085 SYMMETRICAL SEAL	0.812	1.312	0.250	\$6.77	EA
005-086Z SYMMETRICAL SEAL	0.875	1.125	0.171	\$6.24	EA
005-086 SYMMETRICAL SEAL	0.875	1.125	0.250	\$6.38	EA

TYPE 005 DISOGRIN® SYMMETRICAL SEALS

ITEM DESCRIPTION	I.D.	O.D.	HGT.	LIST PRICE	UOM
005-087 SYMMETRICAL SEAL	0.875	1.125	0.187	\$6.38	EA
005-088 SYMMETRICAL SEAL	0.875	1.125	0.125	\$6.24	EA
005-089 SYMMETRICAL SEAL	0.875	1.250	0.312	\$6.62	EA
005-090 SYMMETRICAL SEAL	0.875	1.250	0.250	\$6.38	EA
005-091 SYMMETRICAL SEAL	0.875	1.250	0.187	\$6.18	EA
005-092 SYMMETRICAL SEAL	0.875	1.375	0.375	\$7.60	EA
005-093 SYMMETRICAL SEAL	0.875	1.375	0.312	\$7.35	EA
005-094 SYMMETRICAL SEAL	0.875	1.375	0.250	\$6.77	EA
005-095 SYMMETRICAL SEAL	0.937	1.187	0.250	\$6.53	EA
005-096Z SYMMETRICAL SEAL	0.937	1.187	0.160	\$6.33	EA
005-096 SYMMETRICAL SEAL	0.937	1.187	0.187	\$6.38	EA
005-097 SYMMETRICAL SEAL	0.937	1.187	0.125	\$5.36	EA
005-098 SYMMETRICAL SEAL	0.937	1.312	0.312	\$6.67	EA
005-100 SYMMETRICAL SEAL	0.937	1.312	0.187	\$6.38	EA
005-103 SYMMETRICAL SEAL	0.937	1.437	0.250	\$7.06	EA
005-104 SYMMETRICAL SEAL	1.000	1.250	0.250	\$6.67	EA
005-105B SYMMETRICAL SEAL	1.000	1.250	0.156	\$6.67	EA
005-105 SYMMETRICAL SEAL	1.000	1.250	0.187	\$6.67	EA
005-106 SYMMETRICAL SEAL	1.000	1.250	0.125	\$6.62	EA
005-107 SYMMETRICAL SEAL	1.000	1.375	0.312	\$7.06	EA
005-108 SYMMETRICAL SEAL	1.000	1.375	0.250	\$6.62	EA
005-109 SYMMETRICAL SEAL	1.000	1.375	0.187	\$6.04	EA
005-110 SYMMETRICAL SEAL	1.000	1.500	0.375	\$7.75	EA
005-111 SYMMETRICAL SEAL	1.000	1.500	0.312	\$7.46	EA
005-112 SYMMETRICAL SEAL	1.000	1.500	0.250	\$7.06	EA
005-114 SYMMETRICAL SEAL	1.062	1.437	0.312	\$7.31	EA
005-115 SYMMETRICAL SEAL	1.062	1.437	0.250	\$6.77	EA
005-118 SYMMETRICAL SEAL	1.062	1.562	0.250	\$8.48	EA
005-119A SYMMETRICAL SEAL	1.125	1.375	0.125	\$6.04	EA
005-119C SYMMETRICAL SEAL	1.125	1.375	0.187	\$6.82	EA
005-119 SYMMETRICAL SEAL	1.125	1.375	0.250	\$6.91	EA
005-120C SYMMETRICAL SEAL	1.125	1.500	0.187	\$6.67	EA
005-120 SYMMETRICAL SEAL	1.125	1.500	0.312	\$7.35	EA
005-121 SYMMETRICAL SEAL	1.125	1.500	0.250	\$7.35	EA
005-123F SYMMETRICAL SEAL	1.125	1.625	0.281	\$7.51	EA
005-122 SYMMETRICAL SEAL	1.125	1.625	0.375	\$7.89	EA
005-123 SYMMETRICAL SEAL	1.125	1.625	0.312	\$7.64	EA
005-124 SYMMETRICAL SEAL	1.125	1.625	0.250	\$7.22	EA
005-127 SYMMETRICAL SEAL	1.187	1.562	0.312	\$7.51	EA
005-130 SYMMETRICAL SEAL	1.187	1.687	0.312	\$7.64	EA
005-131 SYMMETRICAL SEAL	1.187	1.687	0.250	\$7.22	EA

TYPE 005 DISOGRIN® SYMMETRICAL SEALS

ITEM DESCRIPTION	I.D.	O.D.	HGT.	LIST PRICE	UOM
005-132A SYMMETRICAL SEAL	1.250	1.500	0.125	\$6.04	EA
005-132 SYMMETRICAL SEAL	1.250	1.500	0.250	\$7.22	EA
005-133C SYMMETRICAL SEAL	1.250	1.625	0.187	\$6.91	EA
005-133 SYMMETRICAL SEAL	1.250	1.625	0.312	\$7.60	EA
005-134 SYMMETRICAL SEAL	1.250	1.625	0.250	\$7.16	EA
005-135 SYMMETRICAL SEAL	1.250	1.750	0.375	\$7.95	EA
005-136 SYMMETRICAL SEAL	1.250	1.750	0.312	\$7.64	EA
005-137 SYMMETRICAL SEAL	1.250	1.750	0.250	\$7.35	EA
005-138G SYMMETRICAL SEAL	1.250	1.875	0.312	\$8.62	EA
005-140 SYMMETRICAL SEAL	1.250	1.875	0.375	\$8.86	EA
005-141 SYMMETRICAL SEAL	1.250	2.000	0.500	\$12.52	EA
005-142 SYMMETRICAL SEAL	1.250	2.000	0.437	\$12.23	EA
005-143 SYMMETRICAL SEAL	1.250	2.000	0.375	\$11.79	EA
005-144 SYMMETRICAL SEAL	1.312	1.562	0.250	\$7.35	EA
005-145 SYMMETRICAL SEAL	1.312	1.687	0.312	\$7.75	EA
005-146 SYMMETRICAL SEAL	1.312	1.812	0.375	\$8.38	EA
005-151 SYMMETRICAL SEAL	1.375	1.625	0.250	\$7.51	EA
005-152E SYMMETRICAL SEAL	1.375	1.750	0.250	\$7.64	EA
005-152 SYMMETRICAL SEAL	1.375	1.750	0.312	\$8.04	EA
005-153 SYMMETRICAL SEAL	1.375	1.875	0.375	\$8.62	EA
005-154 SYMMETRICAL SEAL	1.375	1.875	0.312	\$8.48	EA
005-155G SYMMETRICAL SEAL	1.375	2.000	0.312	\$9.16	EA
005-157 SYMMETRICAL SEAL	1.375	2.000	0.375	\$9.74	EA
005-159E SYMMETRICAL SEAL	1.437	1.812	0.250	\$7.75	EA
005-159 SYMMETRICAL SEAL	1.437	1.812	0.312	\$8.13	EA
005-160 SYMMETRICAL SEAL	1.437	2.063	0.500	\$16.52	EA
005-163 SYMMETRICAL SEAL	1.500	1.750	0.250	\$7.80	EA
005-164C SYMMETRICAL SEAL	1.500	1.875	0.187	\$7.35	EA
005-164E SYMMETRICAL SEAL	1.500	1.875	0.250	\$7.64	EA
005-165 SYMMETRICAL SEAL	1.500	1.875	0.312	\$8.13	EA
005-164 SYMMETRICAL SEAL	1.500	1.875	0.375	\$8.19	EA
005-166 SYMMETRICAL SEAL	1.500	2.000	0.375	\$9.30	EA
005-167E SYMMETRICAL SEAL	1.500	2.000	0.250	\$8.48	EA
005-167 SYMMETRICAL SEAL	1.500	2.000	0.312	\$9.01	EA
005-168 SYMMETRICAL SEAL	1.500	2.125	0.500	\$11.05	EA
005-169 SYMMETRICAL SEAL	1.500	2.125	0.437	\$10.67	EA
005-170 SYMMETRICAL SEAL	1.500	2.125	0.375	\$10.23	EA
005-171 SYMMETRICAL SEAL	1.500	2.250	0.500	\$13.64	EA
005-173 SYMMETRICAL SEAL	1.500	2.250	0.375	\$13.31	EA
005-174E SYMMETRICAL SEAL	1.625	2.000	0.250	\$8.38	EA
005-175 SYMMETRICAL SEAL	1.625	2.000	0.312	\$8.57	EA

TYPE 005 DISOGRIN® SYMMETRICAL SEALS

ITEM DESCRIPTION	I.D.	O.D.	HGT.	LIST PRICE	UOM
005-176 SYMMETRICAL SEAL	1.625	2.125	0.375	\$9.74	EA
005-180 SYMMETRICAL SEAL	1.625	2.250	0.375	\$10.81	EA
005-181 SYMMETRICAL SEAL	1.625	2.375	0.625	\$15.44	EA
005-182 SYMMETRICAL SEAL	1.625	2.375	0.500	\$16.96	EA
005-183 SYMMETRICAL SEAL	1.625	2.375	0.375	\$16.73	EA
005-184C SYMMETRICAL SEAL	1.750	2.125	0.187	\$9.25	EA
005-184E SYMMETRICAL SEAL	1.750	2.125	0.250	\$9.88	EA
005-184 SYMMETRICAL SEAL	1.750	2.125	0.375	\$10.45	EA
005-185 SYMMETRICAL SEAL	1.750	2.125	0.312	\$10.28	EA
005-186E SYMMETRICAL SEAL	1.750	2.250	0.250	\$11.19	EA
005-186 SYMMETRICAL SEAL	1.750	2.250	0.375	\$12.05	EA
005-187 SYMMETRICAL SEAL	1.750	2.250	0.312	\$11.70	EA
005-188G SYMMETRICAL SEAL	1.750	2.375	0.312	\$12.96	EA
005-188 SYMMETRICAL SEAL	1.750	2.375	0.500	\$14.27	EA
005-189 SYMMETRICAL SEAL	1.750	2.375	0.437	\$13.30	EA
005-190 SYMMETRICAL SEAL	1.750	2.375	0.375	\$13.13	EA
005-191Q SYMMETRICAL SEAL	1.750	2.500	0.593	\$18.90	EA
005-191 SYMMETRICAL SEAL	1.750	2.500	0.625	\$19.24	EA
005-192 SYMMETRICAL SEAL	1.750	2.500	0.500	\$18.44	EA
005-193 SYMMETRICAL SEAL	1.750	2.500	0.375	\$17.87	EA
005-194C SYMMETRICAL SEAL	1.875	2.250	0.187	\$9.42	EA
005-194 SYMMETRICAL SEAL	1.875	2.250	0.375	\$11.08	EA
005-195 SYMMETRICAL SEAL	1.875	2.250	0.312	\$10.56	EA
005-196G SYMMETRICAL SEAL	1.875	2.500	0.312	\$13.82	EA
005-196 SYMMETRICAL SEAL	1.875	2.500	0.500	\$15.02	EA
005-197 SYMMETRICAL SEAL	1.875	2.500	0.437	\$14.67	EA
005-198 SYMMETRICAL SEAL	1.875	2.500	0.375	\$14.44	EA
005-202E SYMMETRICAL SEAL	2.000	2.375	0.250	\$11.59	EA
005-202F SYMMETRICAL SEAL	2.000	2.375	0.281	\$11.76	EA
005-202 SYMMETRICAL SEAL	2.000	2.375	0.375	\$12.50	EA
005-203 SYMMETRICAL SEAL	2.000	2.375	0.312	\$12.05	EA
005-204E SYMMETRICAL SEAL	2.000	2.500	0.250	\$14.35	EA
005-204 SYMMETRICAL SEAL	2.000	2.500	0.375	\$13.19	EA
005-206E SYMMETRICAL SEAL	2.000	2.625	0.250	\$12.05	EA
005-206G SYMMETRICAL SEAL	2.000	2.625	0.312	\$15.19	EA
005-206 SYMMETRICAL SEAL	2.000	2.625	0.500	\$15.93	EA
005-208 SYMMETRICAL SEAL	2.000	2.625	0.375	\$15.42	EA
005-209 SYMMETRICAL SEAL	2.000	2.750	0.625	\$21.52	EA
005-210 SYMMETRICAL SEAL	2.000	2.750	0.500	\$21.52	EA
005-211 SYMMETRICAL SEAL	2.000	2.750	0.375	\$19.58	EA
005-212C SYMMETRICAL SEAL	2.125	2.500	0.187	\$9.88	EA

TYPE 005 DISOGRIN® SYMMETRICAL SEALS

ITEM DESCRIPTION	I.D.	O.D.	HGT.	LIST PRICE	UOM
005-212E SYMMETRICAL SEAL	2.125	2.500	0.250	\$15.59	EA
005-212 SYMMETRICAL SEAL	2.125	2.500	0.375	\$12.96	EA
005-213 SYMMETRICAL SEAL	2.125	2.500	0.312	\$12.67	EA
005-214 SYMMETRICAL SEAL	2.125	2.625	0.375	\$13.99	EA
005-216G SYMMETRICAL SEAL	2.125	2.750	0.312	\$16.61	EA
005-216 SYMMETRICAL SEAL	2.125	2.750	0.500	\$18.38	EA
005-218 SYMMETRICAL SEAL	2.125	2.750	0.375	\$16.73	EA
005-219 SYMMETRICAL SEAL	2.250	2.625	0.375	\$13.40	EA
005-220 SYMMETRICAL SEAL	2.250	2.625	0.312	\$43.02	EA
005-221 SYMMETRICAL SEAL	2.250	2.750	0.375	\$14.79	EA
005-222 SYMMETRICAL SEAL	2.250	2.750	0.312	\$14.50	EA
005-223G SYMMETRICAL SEAL	2.250	2.875	0.312	\$12.62	EA
005-223 SYMMETRICAL SEAL	2.250	2.875	0.500	\$17.13	EA
005-225 SYMMETRICAL SEAL	2.250	2.875	0.375	\$17.47	EA
005-226K SYMMETRICAL SEAL	2.250	3.000	0.437	\$17.41	EA
005-226 SYMMETRICAL SEAL	2.250	3.000	0.625	\$20.04	EA
005-227 SYMMETRICAL SEAL	2.250	3.000	0.500	\$20.72	EA
005-228 SYMMETRICAL SEAL	2.250	3.000	0.375	\$20.44	EA
005-229 SYMMETRICAL SEAL	2.375	2.750	0.375	\$19.75	EA
005-231 SYMMETRICAL SEAL	2.375	2.875	0.375	\$13.99	EA
005-233G SYMMETRICAL SEAL	2.375	3.000	0.312	\$15.59	EA
055-233 SYMMETRICAL SEAL	2.375	3.000	0.500	\$15.70	EA
005-234 SYMMETRICAL SEAL	2.375	3.000	0.437	\$16.39	EA
005-235 SYMMETRICAL SEAL	2.375	3.000	0.375	\$16.04	EA
005-239E SYMMETRICAL SEAL	2.500	2.875	0.250	\$15.76	EA
005-239 SYMMETRICAL SEAL	2.500	2.875	0.375	\$14.50	EA
005-240E SYMMETRICAL SEAL	2.500	3.000	0.250	\$14.35	EA
005-240 SYMMETRICAL SEAL	2.500	3.000	0.375	\$17.02	EA
005-241 SYMMETRICAL SEAL	2.500	3.000	0.312	\$13.70	EA
005-242G SYMMETRICAL SEAL	2.500	3.125	0.312	\$16.33	EA
005-242 SYMMETRICAL SEAL	2.500	3.125	0.500	\$17.07	EA
005-244 SYMMETRICAL SEAL	2.500	3.125	0.375	\$16.67	EA
005-245 SYMMETRICAL SEAL	2.500	3.250	0.625	\$23.64	EA
005-246 SYMMETRICAL SEAL	2.500	3.250	0.500	\$22.10	EA
005-247 SYMMETRICAL SEAL	2.500	3.250	0.375	\$21.24	EA
005-248E SYMMETRICAL SEAL	2.625	3.000	0.250	\$14.79	EA
005-248F SYMMETRICAL SEAL	2.625	3.000	0.281	\$17.79	EA
005-248 SYMMETRICAL SEAL	2.625	3.000	0.375	\$15.02	EA
005-249E SYMMETRICAL SEAL	2.625	3.125	0.250	\$17.13	EA
005-249 SYMMETRICAL SEAL	2.625	3.125	0.375	\$18.38	EA
005-250 SYMMETRICAL SEAL	2.625	3.250	0.500	\$19.58	EA

TYPE 005 DISOGRIN® SYMMETRICAL SEALS

ITEM DESCRIPTION	I.D.	O.D.	HGT.	LIST PRICE	UOM
005-251 SYMMETRICAL SEAL	2.625	3.250	0.375	\$19.18	EA
005-252 SYMMETRICAL SEAL	2.625	3.375	0.625	27.5/8	EA
005-253 SYMMETRICAL SEAL	2.625	3.375	0.500	\$26.95	EA
005-254 SYMMETRICAL SEAL	2.625	3.375	0.375	\$24.78	EA
005-255E SYMMETRICAL SEAL	2.750	3.250	0.250	\$17.58	EA
005-255 SYMMETRICAL SEAL	2.750	3.250	0.375	\$18.10	EA
005-257 SYMMETRICAL SEAL	2.750	3.500	0.625	\$28.20	EA
005-258 SYMMETRICAL SEAL	2.750	3.500	0.500	\$26.78	EA
005-259 SYMMETRICAL SEAL	2.750	3.500	0.375	\$25.06	EA
005-260C SYMMETRICAL SEAL	2.875	3.250	0.187	\$17.47	EA
005-260E SYMMETRICAL SEAL	2.875	3.250	0.250	\$17.98	EA
005-260 SYMMETRICAL SEAL	2.875	3.250	0.375	\$18.16	EA
005-261 SYMMETRICAL SEAL	2.875	3.375	0.375	\$18.44	EA
005-262 SYMMETRICAL SEAL	2.875	3.500	0.500	\$21.35	EA
005-263 SYMMETRICAL SEAL	2.875	3.500	0.375	\$20.67	EA
005-267 SYMMETRICAL SEAL	3.000	3.375	0.375	\$16.73	EA
005-268 SYMMETRICAL SEAL	3.000	3.500	0.375	\$19.18	EA
005-268E SYMMETRICAL SEAL	3.000	3.500	0.250	\$18.21	EA
005-269 SYMMETRICAL SEAL	3.000	3.625	0.500	\$22.27	EA
005-270 SYMMETRICAL SEAL	3.000	3.625	0.375	\$21.64	EA
005-271 SYMMETRICAL SEAL	3.000	3.750	0.625	\$27.58	EA
005-272 SYMMETRICAL SEAL	3.000	3.750	0.500	\$26.72	EA
005-273 SYMMETRICAL SEAL	3.000	3.750	0.375	\$25.06	EA
005-274 SYMMETRICAL SEAL	3.125	3.500	0.375	\$17.70	EA
005-275 SYMMETRICAL SEAL	3.125	6.000	0.375	\$14.36	EA
005-276G SYMMETRICAL SEAL	3.125	3.625	0.375	\$22.89	EA
005-276 SYMMETRICAL SEAL	3.125	3.750	0.500	\$23.69	EA
005-277 SYMMETRICAL SEAL	3.125	3.750	0.375	\$23.35	EA
005-278 SYMMETRICAL SEAL	3.250	3.625	0.375	\$18.73	EA
005-279 SYMMETRICAL SEAL	3.250	3.750	0.375	\$20.55	EA
005-282 SYMMETRICAL SEAL	3.250	4.000	0.625	\$32.26	EA
005-283 SYMMETRICAL SEAL	3.250	4.000	0.500	\$30.20	EA
005-284 SYMMETRICAL SEAL	3.250	4.000	0.375	\$29.00	EA
005-285 SYMMETRICAL SEAL	3.375	3.750	0.375	\$19.75	EA
005-286 SYMMETRICAL SEAL	3.375	3.875	0.375	\$21.35	EA
005-292 SYMMETRICAL SEAL	3.500	3.875	0.375	\$20.84	EA
005-293E SYMMETRICAL SEAL	3.500	4.000	0.250	\$19.41	EA
005-293G SYMMETRICAL SEAL	3.500	4.000	0.312	\$21.12	EA
005-293 SYMMETRICAL SEAL	3.500	4.000	0.375	\$22.15	EA
005-294 SYMMETRICAL SEAL	3.500	4.125	0.500	\$25.63	EA
005-295 SYMMETRICAL SEAL	3.500	4.125	0.375	\$25.06	EA

TYPE 005 DISOGRIN® SYMMETRICAL SEALS

ITEM DESCRIPTION	I.D.	O.D.	HGT.	LIST PRICE	UOM
005-296K SYMMETRICAL SEAL	3.500	4.250	0.437	\$32.60	EA
005-296 SYMMETRICAL SEAL	3.500	4.250	0.625	\$35.11	EA
005-297 SYMMETRICAL SEAL	3.500	4.250	0.500	\$33.11	EA
005-298 SYMMETRICAL SEAL	3.500	4.250	0.375	\$32.03	EA
005-299S SYMMETRICAL SEAL	3.500	4.500	0.656	\$48.30	EA
005-300 SYMMETRICAL SEAL	3.500	4.500	0.625	\$46.19	EA
005-301 SYMMETRICAL SEAL	3.500	4.500	0.500	\$37.34	EA
005-302E SYMMETRICAL SEAL	3.625	4.000	0.250	\$20.55	EA
005-302 SYMMETRICAL SEAL	3.625	4.000	0.375	\$21.98	EA
005-303 SYMMETRICAL SEAL	3.625	4.125	0.375	\$22.67	EA
005-304 SYMMETRICAL SEAL	3.625	4.250	0.500	\$26.55	EA
005-305 SYMMETRICAL SEAL	3.625	4.250	0.375	\$25.81	EA
005-307 SYMMETRICAL SEAL	3.750	4.125	0.375	\$23.12	EA
005-308 SYMMETRICAL SEAL	3.750	4.250	0.375	\$23.47	EA
005-311 SYMMETRICAL SEAL	3.750	4.500	0.625	\$37.05	EA
005-312 SYMMETRICAL SEAL	3.750	4.500	0.500	\$34.43	EA
005-313 SYMMETRICAL SEAL	3.750	4.500	0.375	\$29.86	EA
005-516 SYMMETRICAL SEAL	3.875	4.250	0.375	\$30.37	EA
005-315 SYMMETRICAL SEAL	3.875	4.500	0.500	\$28.26	EA
005-316 SYMMETRICAL SEAL	3.875	4.500	0.375	\$27.01	EA
005-319 SYMMETRICAL SEAL	3.875	4.625	0.375	\$35.34	EA
005-322 SYMMETRICAL SEAL	4.000	4.375	0.375	\$25.46	EA
005-517G SYMMETRICAL SEAL	4.000	4.500	0.312	\$23.35	EA
005-517I SYMMETRICAL SEAL	4.000	4.500	0.375	\$25.12	EA
005-517M SYMMETRICAL SEAL	4.000	4.500	0.500	\$25.58	EA
005-517 SYMMETRICAL SEAL	4.000	4.500	0.562	\$26.21	EA
005-323 SYMMETRICAL SEAL	4.000	4.625	0.562	\$29.17	EA
005-324 SYMMETRICAL SEAL	4.000	4.625	0.500	\$27.40	EA
005-325 SYMMETRICAL SEAL	4.000	4.625	0.375	\$28.72	EA
005-326K SYMMETRICAL SEAL	4.000	4.750	0.437	\$37.34	EA
005-326 SYMMETRICAL SEAL	4.000	4.750	0.625	\$39.97	EA
005-327 SYMMETRICAL SEAL	4.000	4.750	0.500	\$38.65	EA
005-330 SYMMETRICAL SEAL	4.125	4.625	0.562	\$26.38	EA
005-331 SYMMETRICAL SEAL	4.125	4.750	0.562	\$29.86	EA
005-332 SYMMETRICAL SEAL	4.125	4.750	0.500	\$29.69	EA
005-333 SYMMETRICAL SEAL	4.125	4.750	0.375	\$35.54	EA
005-334 SYMMETRICAL SEAL	4.125	4.875	0.625	\$40.94	EA
005-335 SYMMETRICAL SEAL	4.125	4.875	0.500	\$40.14	EA
005-337I SYMMETRICAL SEAL	4.250	4.750	0.375	\$29.52	EA
005-337 SYMMETRICAL SEAL	4.250	4.750	0.562	\$27.52	EA
005-341I SYMMETRICAL SEAL	4.250	5.000	0.375	\$34.66	EA

TYPE 005 DISOGRIN® SYMMETRICAL SEALS

ITEM DESCRIPTION	I.D.	O.D.	HGT.	LIST PRICE	UOM
005-341 SYMMETRICAL SEAL	4.250	5.000	0.625	\$37.05	EA
005-342 SYMMETRICAL SEAL	4.250	5.000	0.500	\$36.94	EA
005-343 SYMMETRICAL SEAL	4.375	4.750	0.375	\$26.15	EA
005-344 SYMMETRICAL SEAL	4.375	5.000	0.562	\$28.66	EA
005-345 SYMMETRICAL SEAL	4.375	5.000	0.500	\$28.66	EA
005-346 SYMMETRICAL SEAL	4.375	5.000	0.375	\$28.66	EA
005-349 SYMMETRICAL SEAL	4.500	4.875	0.375	\$30.32	EA
005-350I SYMMETRICAL SEAL	4.500	5.000	0.375	\$26.89	EA
005-350M SYMMETRICAL SEAL	4.500	5.000	0.500	\$27.18	EA
005-350 SYMMETRICAL SEAL	4.500	5.000	0.562	\$27.58	EA
005-351 SYMMETRICAL SEAL	4.500	5.125	0.625	\$29.57	EA
005-353 SYMMETRICAL SEAL	4.500	5.125	0.375	\$28.20	EA
005-354 SYMMETRICAL SEAL	4.500	5.250	0.625	\$39.62	EA
005-355 SYMMETRICAL SEAL	4.500	5.250	0.500	\$38.48	EA
005-357 SYMMETRICAL SEAL	4.500	5.250	0.562	\$39.59	EA
005-361 SYMMETRICAL SEAL	4.625	5.375	0.500	\$39.97	EA
005-362 SYMMETRICAL SEAL	4.750	5.250	0.562	\$39.59	EA
005-363 SYMMETRICAL SEAL	4.750	5.375	0.625	\$39.97	EA
005-364 SYMMETRICAL SEAL	4.750	5.375	0.500	\$28.43	EA
005-365 SYMMETRICAL SEAL	4.750	5.375	0.375	\$33.06	EA
005-366 SYMMETRICAL SEAL	4.750	5.500	0.625	\$32.49	EA
005-367 SYMMETRICAL SEAL	4.750	5.500	0.500	\$33.69	EA
005-370 SYMMETRICAL SEAL	4.875	5.500	0.500	\$41.45	EA
005-371 SYMMETRICAL SEAL	4.875	5.500	0.375	\$41.45	EA
005-372 SYMMETRICAL SEAL	4.875	5.625	0.625	\$34.14	EA
005-373 SYMMETRICAL SEAL	4.875	5.625	0.500	\$33.57	EA
005-380 SYMMETRICAL SEAL	5.125	5.625	0.562	\$42.48	EA
005-381 SYMMETRICAL SEAL	5.125	5.750	0.625	\$42.48	EA
005-382 SYMMETRICAL SEAL	5.125	5.750	0.500	\$42.48	EA
005-383 SYMMETRICAL SEAL	5.125	5.750	0.375	\$42.48	EA
005-386 SYMMETRICAL SEAL	5.250	5.750	0.562	\$33.29	EA
005-388 SYMMETRICAL SEAL	5.250	5.875	0.500	\$35.85	EA
005-389 SYMMETRICAL SEAL	5.250	5.875	0.375	\$35.57	EA
005-390 SYMMETRICAL SEAL	5.250	6.000	0.625	\$45.28	EA
005-391I SYMMETRICAL SEAL	5.250	6.000	0.375	\$43.11	EA
005-391 SYMMETRICAL SEAL	5.250	6.000	0.500	\$45.28	EA
005-392I SYMMETRICAL SEAL	5.375	5.875	0.375	\$30.27	EA
005-393 SYMMETRICAL SEAL	5.375	6.000	0.625	\$37.85	EA
005-394 SYMMETRICAL SEAL	5.375	6.000	0.500	\$37.05	EA
005-395 SYMMETRICAL SEAL	5.375	6.000	0.375	\$26.60	EA
005-396 SYMMETRICAL SEAL	5.375	6.125	0.625	\$46.19	EA

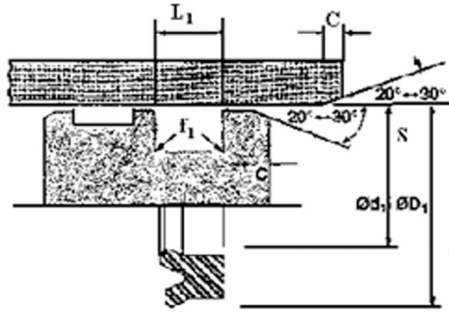
TYPE 005 DISOGRIN® SYMMETRICAL SEALS

ITEM DESCRIPTION	I.D.	O.D.	HGT.	LIST PRICE	UOM
005-397 SYMMETRICAL SEAL	5.375	6.125	0.375	\$45.62	EA
005-398 SYMMETRICAL SEAL	5.500	6.125	0.625	\$39.05	EA
005-400 SYMMETRICAL SEAL	5.500	6.125	0.375	\$82.62	EA
005-402I SYMMETRICAL SEAL	5.500	6.250	0.375	\$44.76	EA
005-402 SYMMETRICAL SEAL	5.500	6.250	0.500	\$46.19	EA
005-403I SYMMETRICAL SEAL	5.625	6.125	0.375	\$35.40	EA
005-404 SYMMETRICAL SEAL	5.625	6.250	0.625	\$39.91	EA
005-405 SYMMETRICAL SEAL	5.625	6.250	0.500	\$34.30	EA
005-407 SYMMETRICAL SEAL	5.625	6.375	0.625	\$47.62	EA
005-522 SYMMETRICAL SEAL	5.750	6.250	0.625	37.6/8	EA
005-412 SYMMETRICAL SEAL	5.750	6.500	0.625	\$49.67	EA
005-413 SYMMETRICAL SEAL	5.750	6.500	0.500	\$48.70	EA
005-414 SYMMETRICAL SEAL	5.875	6.375	0.562	\$38.48	EA
005-414I SYMMETRICAL SEAL	5.875	6.375	0.875	\$44.19	EA
005-415 SYMMETRICAL SEAL	5.875	6.500	0.562	\$44.76	EA
005-417 SYMMETRICAL SEAL	5.875	6.500	0.375	\$43.39	EA
005-420I SYMMETRICAL SEAL	6.000	6.500	0.375	\$39.34	EA
005-420 SYMMETRICAL SEAL	6.000	6.500	0.562	\$39.34	EA
005-421 SYMMETRICAL SEAL	6.000	7.000	0.750	\$65.83	EA
005-422 SYMMETRICAL SEAL	6.000	7.000	0.625	\$63.43	EA
005-423M SYMMETRICAL SEAL	6.250	6.750	0.500	\$39.22	EA
005-423 SYMMETRICAL SEAL	6.250	6.750	0.562	\$40.54	EA
005-424 SYMMETRICAL SEAL	6.250	7.000	0.625	\$52.53	EA
005-425 SYMMETRICAL SEAL	6.250	7.000	0.500	\$52.24	EA
005-428I SYMMETRICAL SEAL	6.500	7.000	0.375	\$42.19	EA
005-428M SYMMETRICAL SEAL	6.500	7.000	0.500	\$42.19	EA
005-428 SYMMETRICAL SEAL	6.500	7.000	0.562	\$42.19	EA
005-429 SYMMETRICAL SEAL	6.500	7.250	0.625	\$53.38	EA
005-430 SYMMETRICAL SEAL	6.500	7.250	0.500	\$53.38	EA
005-431M SYMMETRICAL SEAL	6.500	7.500	0.500	\$64.06	EA
005-431 SYMMETRICAL SEAL	6.500	7.500	0.750	\$67.66	EA
005-433 SYMMETRICAL SEAL	6.750	7.250	0.562	\$44.02	EA
005-435 SYMMETRICAL SEAL	6.750	7.500	0.500	\$55.38	EA
005-437 SYMMETRICAL SEAL	6.750	7.750	0.562	\$65.99	EA
005-438 SYMMETRICAL SEAL	7.000	7.500	0.562	\$45.85	EA
005-439 SYMMETRICAL SEAL	7.000	7.750	0.625	\$57.09	EA
005-440 SYMMETRICAL SEAL	7.000	7.750	0.500	\$57.09	EA
005-442 SYMMETRICAL SEAL	7.000	8.000	0.625	\$73.31	EA
005-443 SYMMETRICAL SEAL	7.250	7.750	0.562	\$49.33	EA
005-444 SYMMETRICAL SEAL	7.250	8.000	0.625	\$59.61	EA
005-445 SYMMETRICAL SEAL	7.250	8.000	0.500	\$58.06	EA

TYPE 005 DISOGRIN® SYMMETRICAL SEALS						
ITEM DESCRIPTION	I.D.	O.D.	HGT.	LIST PRICE	UOM	
005-448 SYMMETRICAL SEAL	7.500	8.000	0.562	\$50.36	EA	
005-449 SYMMETRICAL SEAL	7.500	8.250	0.625	\$60.63	EA	
005-451 SYMMETRICAL SEAL	7.500	8.500	0.750	\$77.13	EA	
005-453 SYMMETRICAL SEAL	7.750	8.250	0.562	\$51.10	EA	
005-454 SYMMETRICAL SEAL	7.750	8.500	0.625	\$62.40	EA	
005-455 SYMMETRICAL SEAL	7.750	8.500	0.500	\$62.40	EA	
005-456 SYMMETRICAL SEAL	7.750	8.750	0.750	\$79.76	EA	
005-458 SYMMETRICAL SEAL	8.000	8.500	0.562	\$52.98	EA	
005-460 SYMMETRICAL SEAL	8.000	8.750	0.500	\$64.23	EA	
005-461 SYMMETRICAL SEAL	8.000	9.000	0.750	\$82.27	EA	
005-462 SYMMETRICAL SEAL	8.000	9.000	0.625	\$73.02	EA	
005-465 SYMMETRICAL SEAL	8.250	9.000	0.500	\$69.20	EA	
005-468/ SYMMETRICAL SEAL	8.500	9.000	0.375	\$53.27	EA	
005-468 SYMMETRICAL SEAL	8.500	9.000	0.562	\$56.52	EA	
005-480 SYMMETRICAL SEAL	9.000	10.000	0.750	\$96.77	EA	
005-486 SYMMETRICAL SEAL	9.750	10.500	0.500	\$97.57	EA	
005-487 SYMMETRICAL SEAL	10.000	11.000	0.750	\$101.68	EA	
005-489 SYMMETRICAL SEAL	11.000	12.000	0.750	\$144.50	EA	
005-492 SYMMETRICAL SEAL	12.000	13.000	0.750	\$165.40	EA	

**QUALITY AND
RELIABLE
SERVICE! LOW
SHIPPING COSTS!**

U-CUPS (HYDRAULIC)



002 PISTON SEALS

TYPE 002 DISOGRIN® PISTON SEALS

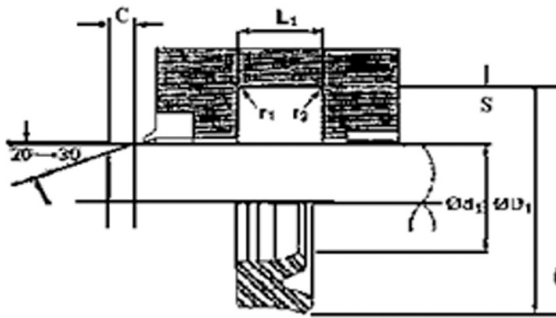
ITEM DESCRIPTION	I.D.	O.D.	HGT.	LIST PRICE	UOM
002-033 DISOGRIN® PISTON SEAL	0.750	1.000	0.250	\$6.18	EA
002-034 DISOGRIN® PISTON SEAL	0.750	1.000	0.187	\$6.04	EA
002-035 DISOGRIN® PISTON SEAL	0.750	1.000	0.125	\$5.85	EA
502-029 DISOGRIN® PISTON SEAL	0.812	1.062	0.250	\$6.24	EA
002-043 DISOGRIN® PISTON SEAL	0.750	1.125	0.250	\$6.38	EA
002-045 DISOGRIN® PISTON SEAL	0.875	1.125	0.250	\$6.38	EA
002-049 DISOGRIN® PISTON SEAL	0.812	1.187	0.250	\$6.33	EA
002-050 DISOGRIN® PISTON SEAL	0.812	1.187	0.187	\$6.24	EA
002-059 DISOGRIN® PISTON SEAL	0.875	1.250	0.187	\$6.38	EA
002-058 DISOGRIN® PISTON SEAL	0.875	1.250	0.250	\$6.62	EA
002-057 DISOGRIN® PISTON SEAL	0.875	1.250	0.312	\$6.77	EA
002-060 DISOGRIN® PISTON SEAL	1.000	1.250	0.250	\$6.67	EA
002-061 DISOGRIN® PISTON SEAL	1.000	1.250	0.187	\$6.82	EA
002-062 DISOGRIN® PISTON SEAL	1.000	1.250	0.125	\$6.53	EA
002-068 DISOGRIN® PISTON SEAL	0.875	1.375	0.250	\$6.77	EA
002-078Z DISOGRIN® PISTON SEAL	1.000	1.500	0.250	\$7.35	EA
002-078 DISOGRIN® PISTON SEAL	1.000	1.500	0.375	\$7.75	EA
002-079 DISOGRIN® PISTON SEAL	1.000	1.500	0.312	\$7.31	EA
002-080 DISOGRIN® PISTON SEAL	1.000	1.500	0.250	\$6.97	EA
002-081 DISOGRIN® PISTON SEAL	1.125	1.500	0.375	\$7.51	EA
002-082 DISOGRIN® PISTON SEAL	1.125	1.500	0.312	\$7.35	EA
002-083 DISOGRIN® PISTON SEAL	1.125	1.500	0.250	\$7.22	EA
002-084 DISOGRIN® PISTON SEAL	1.125	1.625	0.375	\$7.95	EA
002-085 DISOGRIN® PISTON SEAL	1.125	1.625	0.312	\$7.64	EA
002-086 DISOGRIN® PISTON SEAL	1.125	1.625	0.250	\$7.51	EA
002-087 DISOGRIN® PISTON SEAL	1.250	1.625	0.375	\$7.60	EA
002-088 DISOGRIN® PISTON SEAL	1.250	1.625	0.312	\$7.60	EA
002-089 DISOGRIN® PISTON SEAL	1.250	1.625	0.250	\$7.46	EA
002-093 DISOGRIN® PISTON SEAL	1.250	1.750	0.375	\$8.38	EA
002-095 DISOGRIN® PISTON SEAL	1.250	1.750	0.250	\$7.80	EA
002-096 DISOGRIN® PISTON SEAL	1.375	1.750	0.375	\$8.19	EA
002-097 DISOGRIN® PISTON SEAL	1.375	1.750	0.312	\$8.04	EA
002-099L DISOGRIN® PISTON SEAL	1.250	1.875	0.468	\$9.55	EA
002-099 DISOGRIN® PISTON SEAL	1.250	1.875	0.500	\$9.55	EA
002-104 DISOGRIN® PISTON SEAL	1.375	1.875	0.250	\$8.43	EA
002-107 DISOGRIN® PISTON SEAL	1.375	2.000	0.500	\$9.89	EA
002-108 DISOGRIN® PISTON SEAL	1.375	2.000	0.437	\$9.74	EA
002-109 DISOGRIN® PISTON SEAL	1.375	2.000	0.375	\$9.74	EA
002-110E DISOGRIN® PISTON SEAL	1.500	2.000	0.250	\$9.11	EA

TYPE 002 DISOGRIN® PISTON SEALS						
ITEM DESCRIPTION	I.D.	O.D.	HGT.	LIST PRICE	UOM	
002-110 DISOGRIN® PISTON SEAL	1.500	2.000	0.375	\$9.41	EA	
002-111 DISOGRIN® PISTON SEAL	1.500	2.000	0.312	\$9.26	EA	
002-112 DISOGRIN® PISTON SEAL	1.625	2.000	0.375	\$8.72	EA	
002-113 DISOGRIN® PISTON SEAL	1.625	2.000	0.312	\$8.72	EA	
002-119 DISOGRIN® PISTON SEAL	1.750	2.125	0.375	\$9.26	EA	
002-120 DISOGRIN® PISTON SEAL	1.750	2.125	0.312	\$9.01	EA	
002-121 DISOGRIN® PISTON SEAL	1.625	2.250	0.500	\$11.50	EA	
002-123 DISOGRIN® PISTON SEAL	1.625	2.250	0.375	\$11.05	EA	
002-124 DISOGRIN® PISTON SEAL	1.750	2.250	0.375	\$10.38	EA	
002-125 DISOGRIN® PISTON SEAL	1.750	2.250	0.312	\$10.14	EA	
002-128 DISOGRIN® PISTON SEAL	1.750	2.375	0.500	\$12.23	EA	
002-133 DISOGRIN® PISTON SEAL	2.000	2.375	0.375	\$10.28	EA	
002-134 DISOGRIN® PISTON SEAL	2.000	2.375	0.312	\$9.99	EA	
002-135 DISOGRIN® PISTON SEAL	1.875	2.500	0.500	\$12.91	EA	
002-136 DISOGRIN® PISTON SEAL	1.875	2.500	0.437	\$12.76	EA	
002-137 DISOGRIN® PISTON SEAL	1.875	2.500	0.375	\$12.47	EA	
002-138 DISOGRIN® PISTON SEAL	2.000	2.500	0.375	\$11.25	EA	
002-139 DISOGRIN® PISTON SEAL	2.000	2.500	0.312	\$10.96	EA	
002-140C DISOGRIN® PISTON SEAL	2.125	2.500	0.187	\$10.72	EA	
002-140 DISOGRIN® PISTON SEAL	2.125	2.500	0.375	\$11.11	EA	
002-141 DISOGRIN® PISTON SEAL	2.125	2.500	0.312	\$10.81	EA	
002-145 DISOGRIN® PISTON SEAL	2.125	2.625	0.375	\$11.98	EA	
002-146 DISOGRIN® PISTON SEAL	2.125	2.625	0.312	\$11.98	EA	
002-149 DISOGRIN® PISTON SEAL	2.000	2.750	0.625	\$18.71	EA	
002-150 DISOGRIN® PISTON SEAL	2.000	2.750	0.500	\$18.47	EA	
002-151 DISOGRIN® PISTON SEAL	2.000	2.750	0.375	\$17.25	EA	
002-152 DISOGRIN® PISTON SEAL	2.250	2.750	0.375	\$12.67	EA	
002-153 DISOGRIN® PISTON SEAL	2.250	2.750	0.312	\$12.47	EA	
002-157 DISOGRIN® PISTON SEAL	2.375	2.875	0.375	\$12.96	EA	
002-159 DISOGRIN® PISTON SEAL	2.250	3.000	0.625	\$18.51	EA	
002-160 DISOGRIN® PISTON SEAL	2.250	3.000	0.500	\$17.83	EA	
002-161 DISOGRIN® PISTON SEAL	2.250	3.000	0.375	\$17.59	EA	
002-162 DISOGRIN® PISTON SEAL	2.375	3.000	0.500	\$14.08	EA	
002-164 DISOGRIN® PISTON SEAL	2.375	3.000	0.375	\$13.73	EA	
002-165E DISOGRIN® PISTON SEAL	2.500	3.000	0.250	\$12.13	EA	
002-165 DISOGRIN® PISTON SEAL	2.500	3.000	0.375	\$12.57	EA	
002-166 DISOGRIN® PISTON SEAL	2.500	3.000	0.312	\$12.38	EA	
002-171 DISOGRIN® PISTON SEAL	2.500	3.250	0.625	\$20.27	EA	
002-172 DISOGRIN® PISTON SEAL	2.500	3.250	0.500	\$19.05	EA	
002-173 DISOGRIN® PISTON SEAL	2.500	3.250	0.375	\$18.47	EA	
002-176 DISOGRIN® PISTON SEAL	2.750	3.250	0.375	\$14.62	EA	
002-183 DISOGRIN® PISTON SEAL	2.750	3.500	0.625	\$22.12	EA	
002-184 DISOGRIN® PISTON SEAL	2.750	3.500	0.500	\$20.95	EA	
002-185 DISOGRIN® PISTON SEAL	2.750	3.500	0.375	\$20.17	EA	
002-186 DISOGRIN® PISTON SEAL	2.875	3.500	0.500	\$16.41	EA	
002-187 DISOGRIN® PISTON SEAL	2.875	3.500	0.375	\$16.03	EA	
002-188 DISOGRIN® PISTON SEAL	3.000	3.500	0.375	\$14.86	EA	
002-189 DISOGRIN® PISTON SEAL	3.125	3.500	0.375	\$13.79	EA	
502-046 DISOGRIN® PISTON SEAL	3.125	3.625	0.375	\$15.35	EA	

TYPE 002 DISOGRIN® PISTON SEALS						
ITEM DESCRIPTION	I.D.	O.D.	HGT.	LIST PRICE	UOM	
002-193 DISOGRIN® PISTON SEAL	3.000	3.750	0.625	\$24.12	EA	
002-194 DISOGRIN® PISTON SEAL	3.000	3.750	0.500	\$22.99	EA	
002-195 DISOGRIN® PISTON SEAL	3.000	3.750	0.375	\$22.32	EA	
002-196 DISOGRIN® PISTON SEAL	3.125	3.750	0.500	\$17.78	EA	
002-197 DISOGRIN® PISTON SEAL	3.125	3.750	0.375	\$17.54	EA	
002-198 DISOGRIN® PISTON SEAL	3.250	3.750	0.375	\$15.88	EA	
002-205 DISOGRIN® PISTON SEAL	3.250	4.000	0.625	\$25.62	EA	
002-206 DISOGRIN® PISTON SEAL	3.250	4.000	0.500	\$22.85	EA	
002-207 DISOGRIN® PISTON SEAL	3.250	4.000	0.375	\$22.50	EA	
002-208 DISOGRIN® PISTON SEAL	3.375	4.000	0.500	\$19.15	EA	
002-209 DISOGRIN® PISTON SEAL	3.375	4.000	0.375	\$18.76	EA	
002-210E DISOGRIN® PISTON SEAL	3.500	4.000	0.250	\$16.66	EA	
002-210 DISOGRIN® PISTON SEAL	3.500	4.000	0.375	\$17.10	EA	
002-211 DISOGRIN® PISTON SEAL	3.625	4.000	0.375	\$19.82	EA	
002-214 DISOGRIN® PISTON SEAL	3.625	4.125	0.375	\$17.54	EA	
002-217 DISOGRIN® PISTON SEAL	3.500	4.250	0.375	\$26.31	EA	
002-218 DISOGRIN® PISTON SEAL	3.625	4.250	0.500	\$21.10	EA	
002-219 DISOGRIN® PISTON SEAL	3.625	4.250	0.375	\$20.22	EA	
002-220 DISOGRIN® PISTON SEAL	3.750	4.250	0.375	\$18.12	EA	
002-227 DISOGRIN® PISTON SEAL	3.750	4.500	0.625	\$28.41	EA	
002-228 DISOGRIN® PISTON SEAL	3.750	4.500	0.500	\$28.26	EA	
002-229 DISOGRIN® PISTON SEAL	3.750	4.500	0.375	\$28.21	EA	
002-230 DISOGRIN® PISTON SEAL	3.875	4.500	0.500	\$21.92	EA	
002-231 DISOGRIN® PISTON SEAL	3.875	4.500	0.375	\$21.44	EA	
002-232I DISOGRIN® PISTON SEAL	4.000	4.500	0.375	\$19.20	EA	
002-232 DISOGRIN® PISTON SEAL	4.000	4.500	0.562	\$19.20	EA	
002-236 DISOGRIN® PISTON SEAL	4.000	4.625	0.500	\$22.02	EA	
002-237 DISOGRIN® PISTON SEAL	4.000	4.625	0.375	\$26.89	EA	
002-247I DISOGRIN® PISTON SEAL	4.250	5.000	0.375	\$30.74	EA	
002-247Y DISOGRIN® PISTON SEAL	4.250	5.000	0.562	\$30.74	EA	
002-247 DISOGRIN® PISTON SEAL	4.250	5.000	0.625	\$31.18	EA	
002-248 DISOGRIN® PISTON SEAL	4.250	5.000	0.500	\$30.84	EA	
002-249E DISOGRIN® PISTON SEAL	4.500	5.000	0.250	\$22.81	EA	
002-249I DISOGRIN® PISTON SEAL	4.500	5.000	0.375	\$22.85	EA	
002-249K DISOGRIN® PISTON SEAL	4.500	5.000	0.437	\$22.85	EA	
002-249 DISOGRIN® PISTON SEAL	4.500	5.000	0.562	\$22.85	EA	
002-251 DISOGRIN® PISTON SEAL	4.375	5.125	0.500	\$31.87	EA	
002-254I DISOGRIN® PISTON SEAL	4.500	5.250	0.375	\$32.84	EA	
002-254 DISOGRIN® PISTON SEAL	4.500	5.250	0.625	\$34.06	EA	
002-255 DISOGRIN® PISTON SEAL	4.500	5.250	0.500	\$32.98	EA	
002-259I DISOGRIN® PISTON SEAL	4.750	5.500	0.375	\$23.05	EA	
002-259 DISOGRIN® PISTON SEAL	4.750	5.500	0.625	\$35.57	EA	
002-260 DISOGRIN® PISTON SEAL	4.750	5.500	0.500	\$35.57	EA	
002-261I DISOGRIN® PISTON SEAL	5.000	5.500	0.375	\$26.16	EA	
002-261 DISOGRIN® PISTON SEAL	5.000	5.500	0.562	\$26.16	EA	
002-265 DISOGRIN® PISTON SEAL	5.000	5.750	0.500	\$36.63	EA	
002-269 DISOGRIN® PISTON SEAL	5.250	6.000	0.625	\$38.88	EA	
002-270I DISOGRIN® PISTON SEAL	5.250	6.000	0.375	\$36.25	EA	
002-270 DISOGRIN® PISTON SEAL	5.250	6.000	0.500	\$36.88	EA	

TYPE 002 DISOGRIN® PISTON SEALS						
ITEM DESCRIPTION	I.D.	O.D.	HGT.	LIST PRICE	UOM	
002-271 DISOGRIN® PISTON SEAL	5.375	6.000	0.500	\$31.62	EA	
002-272 DISOGRIN® PISTON SEAL	5.375	6.000	0.375	\$30.74	EA	
002-273E DISOGRIN® PISTON SEAL	5.500	6.000	0.250	\$30.40	EA	
002-273I DISOGRIN® PISTON SEAL	5.500	6.000	0.375	\$30.69	EA	
002-273M DISOGRIN® PISTON SEAL	5.500	6.000	0.500	\$30.69	EA	
002-273 DISOGRIN® PISTON SEAL	5.500	6.000	0.562	\$30.69	EA	
002-274 DISOGRIN® PISTON SEAL	5.250	6.250	0.750	\$52.91	EA	
002-275 DISOGRIN® PISTON SEAL	5.250	6.250	0.625	\$52.22	EA	
002-276I DISOGRIN® PISTON SEAL	5.500	6.250	0.375	\$39.31	EA	
002-277K DISOGRIN® PISTON SEAL	5.500	6.250	0.437	\$39.61	EA	
002-278 DISOGRIN® PISTON SEAL	5.500	6.500	0.750	\$53.93	EA	
002-279 DISOGRIN® PISTON SEAL	5.500	6.500	0.625	\$41.56	EA	
002-280I DISOGRIN® PISTON SEAL	5.750	6.500	0.375	\$32.26	EA	
002-280 DISOGRIN® PISTON SEAL	5.750	6.500	0.625	\$41.85	EA	
002-281 DISOGRIN® PISTON SEAL	5.750	6.500	0.500	\$41.85	EA	
002-282I DISOGRIN® PISTON SEAL	6.000	6.500	0.375	\$37.72	EA	
002-282 DISOGRIN® PISTON SEAL	6.000	6.500	0.562	\$33.81	EA	
002-283 DISOGRIN® PISTON SEAL	6.000	6.750	0.625	\$43.60	EA	
002-284 DISOGRIN® PISTON SEAL	6.000	6.750	0.500	\$42.78	EA	
002-285 DISOGRIN® PISTON SEAL	6.000	7.000	0.750	\$55.34	EA	
002-287I DISOGRIN® PISTON SEAL	6.250	7.000	0.375	\$43.41	EA	
002-287 DISOGRIN® PISTON SEAL	6.250	7.000	0.625	\$44.29	EA	
002-288 DISOGRIN® PISTON SEAL	6.250	7.000	0.500	\$44.29	EA	
002-288I DISOGRIN® PISTON SEAL	6.500	7.250	0.375	\$44.38	EA	
002-292 DISOGRIN® PISTON SEAL	6.500	7.250	0.625	\$45.84	EA	
002-293 DISOGRIN® PISTON SEAL	6.500	7.250	0.500	\$45.84	EA	
002-294Q DISOGRIN® PISTON SEAL	6.500	7.500	0.593	\$55.83	EA	
002-294 DISOGRIN® PISTON SEAL	6.500	7.500	0.750	\$58.02	EA	
002-295 DISOGRIN® PISTON SEAL	6.500	7.500	0.625	\$56.71	EA	
002-296 DISOGRIN® PISTON SEAL	6.750	7.500	0.625	\$49.01	EA	
002-297 DISOGRIN® PISTON SEAL	6.750	7.500	0.500	\$46.77	EA	
002-303M DISOGRIN® PISTON SEAL	7.000	8.000	0.500	\$61.34	EA	
002-303 DISOGRIN® PISTON SEAL	7.000	8.000	0.750	\$60.90	EA	
002-304 DISOGRIN® PISTON SEAL	7.000	8.000	0.625	\$61.48	EA	
002-305 DISOGRIN® PISTON SEAL	7.250	8.000	0.625	\$51.16	EA	
002-306 DISOGRIN® PISTON SEAL	7.250	8.000	0.500	\$50.76	EA	
002-307 DISOGRIN® PISTON SEAL	7.500	8.500	0.750	\$66.31	EA	
002-308 DISOGRIN® PISTON SEAL	7.500	8.500	0.625	\$62.70	EA	
002-309 DISOGRIN® PISTON SEAL	8.000	9.000	0.750	\$70.60	EA	
002-310 DISOGRIN® PISTON SEAL	8.000	9.000	0.625	\$67.04	EA	
002-314 DISOGRIN® PISTON SEAL	9.000	10.000	0.625	\$75.91	EA	
002-317 DISOGRIN® PISTON SEAL	10.000	11.000	0.750	\$135.44	EA	
002-318 DISOGRIN® PISTON SEAL	10.000	11.000	0.625	\$135.44	EA	
002-319 DISOGRIN® PISTON SEAL	11.000	12.000	0.750	\$130.37	EA	
002-320 DISOGRIN® PISTON SEAL	11.000	12.000	0.625	\$126.09	EA	
002-321 DISOGRIN® PISTON SEAL	14.750	16.000	1.000	\$289.73	EA	
002-322 DISOGRIN® PISTON SEAL	14.750	16.000	0.750	\$268.69	EA	

U-CUPS (HYDRAULIC)



001 ROD SEALS

TYPE 001 DISOGRIN® ROD SEALS

ITEM DESCRIPTION	I.D.	O.D.	HGT.	LIST PRICE	UOM
001-030 DISOGRIN® ROD SEAL	0.562	0.937	0.312	\$5.70	EA
001-031 DISOGRIN® ROD SEAL	0.562	0.937	0.250	\$12.18	EA
001-032 DISOGRIN® ROD SEAL	0.562	0.937	0.187	\$7.06	EA
001-033 DISOGRIN® ROD SEAL	0.625	0.875	0.250	\$5.80	EA
001-034 DISOGRIN® ROD SEAL	0.625	0.875	0.187	\$5.80	EA
001-035 DISOGRIN® ROD SEAL	0.625	0.875	0.125	\$5.80	EA
001-036 DISOGRIN® ROD SEAL	0.625	1.000	0.312	\$6.04	EA
001-037 DISOGRIN® ROD SEAL	0.625	1.000	0.250	\$5.80	EA
001-038 DISOGRIN® ROD SEAL	0.625	1.000	0.187	\$5.70	EA
001-039 DISOGRIN® ROD SEAL	0.687	1.062	0.312	\$6.24	EA
001-040 DISOGRIN® ROD SEAL	0.687	1.062	0.250	\$6.04	EA
001-041 DISOGRIN® ROD SEAL	0.687	1.062	0.187	\$5.94	EA
001-042 DISOGRIN® ROD SEAL	0.750	1.000	0.250	\$6.04	EA
001-042B DISOGRIN® ROD SEAL	0.750	1.000	0.156	\$6.67	EA
001-043 DISOGRIN® ROD SEAL	0.750	1.000	0.187	\$6.04	EA
001-044 DISOGRIN® ROD SEAL	0.750	1.000	0.125	\$5.94	EA
001-045 DISOGRIN® ROD SEAL	0.750	1.125	0.312	\$6.48	EA
001-046 DISOGRIN® ROD SEAL	0.750	1.125	0.250	\$6.24	EA
001-047 DISOGRIN® ROD SEAL	0.750	1.125	0.187	\$6.24	EA
001-049 DISOGRIN® ROD SEAL	0.812	1.062	0.187	\$6.09	EA
001-051 DISOGRIN® ROD SEAL	0.812	1.187	0.312	\$6.97	EA
001-052 DISOGRIN® ROD SEAL	0.812	1.187	0.250	\$6.53	EA
001-054 DISOGRIN® ROD SEAL	0.875	1.125	0.250	\$6.24	EA
001-055 DISOGRIN® ROD SEAL	0.875	1.125	0.187	\$6.24	EA
001-057 DISOGRIN® ROD SEAL	0.875	1.250	0.312	\$7.22	EA
001-058 DISOGRIN® ROD SEAL	0.875	1.250	0.250	\$6.82	EA
001-059 DISOGRIN® ROD SEAL	0.875	1.250	0.187	\$6.77	EA
001-061 DISOGRIN® ROD SEAL	0.937	1.187	0.187	\$6.33	EA
001-066 DISOGRIN® ROD SEAL	0.937	1.437	0.375	\$7.75	EA
001-069B DISOGRIN® ROD SEAL	1.000	1.250	0.156	\$6.53	EA
001-069 DISOGRIN® ROD SEAL	1.000	1.250	0.250	\$6.53	EA
001-072 DISOGRIN® ROD SEAL	1.000	1.375	0.312	\$7.35	EA
001-073 DISOGRIN® ROD SEAL	1.000	1.375	0.250	\$7.16	EA

TYPE 001 DISOGRIN® ROD SEALS

ITEM DESCRIPTION	I.D.	O.D.	HGT.	LIST PRICE	UOM
001-074 DISOGRIN® ROD SEAL	1.000	1.375	0.187	\$6.97	EA
001-075 DISOGRIN® ROD SEAL	1.000	1.500	0.375	\$7.75	EA
001-076 DISOGRIN® ROD SEAL	1.000	1.500	0.312	\$7.75	EA
001-077 DISOGRIN® ROD SEAL	1.000	1.500	0.250	\$7.60	EA
001-079 DISOGRIN® ROD SEAL	1.062	1.437	0.312	\$7.60	EA
001-084 DISOGRIN® ROD SEAL	1.125	1.500	0.375	\$8.19	EA
001-085 DISOGRIN® ROD SEAL	1.125	1.500	0.312	\$7.75	EA
001-086 DISOGRIN® ROD SEAL	1.125	1.500	0.250	\$7.46	EA
001-087 DISOGRIN® ROD SEAL	1.125	1.625	0.375	\$7.80	EA
001-089 DISOGRIN® ROD SEAL	1.125	1.625	0.250	\$7.64	EA
001-092 DISOGRIN® ROD SEAL	1.187	1.562	0.250	\$7.75	EA
001-093 DISOGRIN® ROD SEAL	1.250	1.500	0.250	\$7.06	EA
001-094 DISOGRIN® ROD SEAL	1.250	1.625	0.375	\$8.38	EA
001-095 DISOGRIN® ROD SEAL	1.250	1.625	0.312	\$8.13	EA
001-096 DISOGRIN® ROD SEAL	1.250	1.625	0.250	\$7.89	EA
001-097 DISOGRIN® ROD SEAL	1.250	1.750	0.375	\$7.75	EA
001-098 DISOGRIN® ROD SEAL	1.250	1.750	0.312	\$7.89	EA
001-099 DISOGRIN® ROD SEAL	1.250	1.750	0.250	\$7.75	EA
001-101 DISOGRIN® ROD SEAL	1.250	1.875	0.437	\$9.45	EA
001-103 DISOGRIN® ROD SEAL	1.312	1.812	0.375	\$8.48	EA
001-105 DISOGRIN® ROD SEAL	1.375	1.750	0.375	\$9.74	EA
001-106 DISOGRIN® ROD SEAL	1.375	1.750	0.312	\$9.45	EA
001-107 DISOGRIN® ROD SEAL	1.375	1.875	0.375	\$8.72	EA
001-108 DISOGRIN® ROD SEAL	1.375	1.875	0.312	\$8.57	EA
001-111 DISOGRIN® ROD SEAL	1.375	2.000	0.375	\$9.89	EA
001-112 DISOGRIN® ROD SEAL	1.500	1.875	0.375	\$8.92	EA
001-113 DISOGRIN® ROD SEAL	1.500	1.875	0.312	\$8.57	EA
001-114 DISOGRIN® ROD SEAL	1.500	1.875	0.250	\$8.28	EA
001-115 DISOGRIN® ROD SEAL	1.500	2.000	0.375	\$9.45	EA
001-116 DISOGRIN® ROD SEAL	1.500	2.000	0.312	\$8.86	EA
001-120E DISOGRIN® ROD SEAL	1.625	2.000	0.250	\$8.48	EA
001-120 DISOGRIN® ROD SEAL	1.625	2.000	0.375	\$9.26	EA
001-121 DISOGRIN® ROD SEAL	1.625	2.000	0.312	\$8.86	EA
001-122 DISOGRIN® ROD SEAL	1.625	2.125	0.375	\$9.99	EA
001-123 DISOGRIN® ROD SEAL	1.625	2.125	0.312	\$9.74	EA
001-127E DISOGRIN® ROD SEAL	1.750	2.125	0.250	\$9.45	EA
001-127Y DISOGRIN® ROD SEAL	1.750	2.125	0.275	\$9.45	EA
001-127 DISOGRIN® ROD SEAL	1.750	2.125	0.375	\$9.74	EA
001-128 DISOGRIN® ROD SEAL	1.750	2.125	0.312	\$9.55	EA
001-129E DISOGRIN® ROD SEAL	1.750	2.250	0.250	\$10.14	EA
001-129 DISOGRIN® ROD SEAL	1.750	2.250	0.375	\$10.43	EA
001-130 DISOGRIN® ROD SEAL	1.750	2.250	0.312	\$10.28	EA

TYPE 001 DISOGRIN® ROD SEALS

ITEM DESCRIPTION	I.D.	O.D.	HGT.	LIST PRICE	UOM
001-131 DISOGRIN® ROD SEAL	1.750	2.375	0.500	\$12.33	EA
001-133 DISOGRIN® ROD SEAL	1.750	2.375	0.375	\$11.98	EA
001-134 DISOGRIN® ROD SEAL	1.875	2.250	0.375	\$10.57	EA
001-135 DISOGRIN® ROD SEAL	1.875	2.250	0.312	\$9.99	EA
001-136 DISOGRIN® ROD SEAL	1.875	2.375	0.375	\$10.81	EA
001-137 DISOGRIN® ROD SEAL	1.875	2.375	0.312	\$18.76	EA
001-141E DISOGRIN® ROD SEAL	2.000	2.375	0.250	\$10.28	EA
001-141 DISOGRIN® ROD SEAL	2.000	2.375	0.375	\$10.67	EA
001-142 DISOGRIN® ROD SEAL	2.000	2.375	0.312	\$10.43	EA
001-143 DISOGRIN® ROD SEAL	2.000	2.500	0.375	\$11.40	EA
001-144 DISOGRIN® ROD SEAL	2.000	2.500	0.312	\$10.96	EA
G01-145 DISOGRIN® ROD SEAL	2.000	2.625	0.500	\$15.93	EA
001-145 DISOGRIN® ROD SEAL	2.000	2.625	0.250	\$10.96	EA
001-147 DISOGRIN® ROD SEAL	2.000	2.625	0.375	\$13.44	EA
001-148 DISOGRIN® ROD SEAL	2.000	2.750	0.625	\$18.76	EA
001-149 DISOGRIN® ROD SEAL	2.000	2.750	0.500	\$18.32	EA
001-150 DISOGRIN® ROD SEAL	2.000	2.750	0.375	\$18.03	EA
001-153 DISOGRIN® ROD SEAL	2.125	2.625	0.375	\$12.33	EA
001-154 DISOGRIN® ROD SEAL	2.125	2.625	0.312	\$11.98	EA
001-155 DISOGRIN® ROD SEAL	2.250	2.625	0.375	\$11.50	EA
001-156 DISOGRIN® ROD SEAL	2.250	2.625	0.312	\$10.38	EA
001-157 DISOGRIN® ROD SEAL	2.250	2.750	0.375	\$12.91	EA
001-158 DISOGRIN® ROD SEAL	2.250	2.750	0.312	\$12.33	EA
001-159 DISOGRIN® ROD SEAL	2.250	2.875	0.500	\$15.15	EA
001-161 DISOGRIN® ROD SEAL	2.250	2.875	0.375	\$14.86	EA
001-164 DISOGRIN® ROD SEAL	2.375	2.875	0.375	\$13.49	EA
001-165 DISOGRIN® ROD SEAL	2.375	2.875	0.312	\$13.15	EA
001-166 DISOGRIN® ROD SEAL	2.375	3.000	0.500	\$15.83	EA
001-168 DISOGRIN® ROD SEAL	2.375	3.000	0.375	\$15.54	EA
001-169 DISOGRIN® ROD SEAL	2.500	2.875	0.375	\$12.67	EA
001-170 DISOGRIN® ROD SEAL	2.500	2.875	0.312	\$12.18	EA
001-171E DISOGRIN® ROD SEAL	2.500	3.000	0.250	\$12.62	EA
001-171 DISOGRIN® ROD SEAL	2.500	3.000	0.375	\$14.18	EA
001-172 DISOGRIN® ROD SEAL	2.500	3.000	0.312	\$13.64	EA
001-173 DISOGRIN® ROD SEAL	2.500	3.125	0.500	\$16.41	EA
001-174 DISOGRIN® ROD SEAL	2.500	3.125	0.437	\$16.23	EA
001-175 DISOGRIN® ROD SEAL	2.500	3.125	0.375	\$15.98	EA
001-176 DISOGRIN® ROD SEAL	2.625	3.125	0.375	\$14.77	EA
001-179 DISOGRIN® ROD SEAL	2.625	3.375	0.625	\$23.92	EA
001-182 DISOGRIN® ROD SEAL	2.750	3.250	0.375	\$15.83	EA
001-183 DISOGRIN® ROD SEAL	2.750	3.375	0.500	\$17.93	EA
001-184 DISOGRIN® ROD SEAL	2.750	3.375	0.375	\$17.69	EA

TYPE 001 DISOGRIN® ROD SEALS

ITEM DESCRIPTION	I.D.	O.D.	HGT.	LIST PRICE	UOM
001-185 DISOGRIN® ROD SEAL	2.750	3.500	0.625	\$27.19	EA
001-187 DISOGRIN® ROD SEAL	2.750	3.500	0.375	\$26.40	EA
001-191 DISOGRIN® ROD SEAL	3.000	3.500	0.375	\$16.72	EA
001-192 DISOGRIN® ROD SEAL	3.000	3.625	0.500	\$19.20	EA
001-193 DISOGRIN® ROD SEAL	3.000	3.625	0.375	\$19.00	EA
001-194P DISOGRIN® ROD SEAL	3.000	3.750	0.562	\$26.99	EA
001-194 DISOGRIN® ROD SEAL	3.000	3.750	0.625	\$27.13	EA
001-195 DISOGRIN® ROD SEAL	3.000	3.750	0.500	\$26.70	EA
001-196 DISOGRIN® ROD SEAL	3.000	3.750	0.375	\$26.26	EA
001-197 DISOGRIN® ROD SEAL	3.125	3.625	0.375	\$19.44	EA
001-199 DISOGRIN® ROD SEAL	3.125	3.750	0.375	\$19.20	EA
001-203 DISOGRIN® ROD SEAL	3.250	3.750	0.375	\$17.83	EA
001-204 DISOGRIN® ROD SEAL	3.250	3.875	0.500	\$20.86	EA
001-206 DISOGRIN® ROD SEAL	3.250	4.000	0.625	\$28.70	EA
001-207 DISOGRIN® ROD SEAL	3.250	4.000	0.500	\$19.58	EA
001-209 DISOGRIN® ROD SEAL	3.375	3.875	0.375	\$18.61	EA
001-210 DISOGRIN® ROD SEAL	3.375	4.000	0.500	\$21.44	EA
001-211 DISOGRIN® ROD SEAL	3.375	4.000	0.375	\$18.07	EA
001-212 DISOGRIN® ROD SEAL	3.500	4.000	0.375	\$19.20	EA
001-215Y DISOGRIN® ROD SEAL	3.500	4.250	0.375	\$27.57	EA
001-215 DISOGRIN® ROD SEAL	3.500	4.250	0.625	\$29.77	EA
001-216 DISOGRIN® ROD SEAL	3.500	4.250	0.500	\$29.08	EA
001-217 DISOGRIN® ROD SEAL	3.500	4.250	0.375	\$28.50	EA
001-218 DISOGRIN® ROD SEAL	3.500	4.500	0.750	\$40.77	EA
001-219 DISOGRIN® ROD SEAL	3.500	4.500	0.625	\$39.80	EA
001-225 DISOGRIN® ROD SEAL	3.625	4.375	0.500	\$29.23	EA
001-226 DISOGRIN® ROD SEAL	3.625	4.375	0.375	\$28.65	EA
001-227 DISOGRIN® ROD SEAL	3.750	4.250	0.375	\$20.31	EA
001-228 DISOGRIN® ROD SEAL	3.750	4.375	0.500	\$23.83	EA
001-229 DISOGRIN® ROD SEAL	3.750	4.375	0.375	\$23.83	EA
001-231 DISOGRIN® ROD SEAL	3.750	4.500	0.500	\$30.50	EA
001-236E DISOGRIN® ROD SEAL	4.000	4.500	0.250	\$21.59	EA
001-236I DISOGRIN® ROD SEAL	4.000	4.500	0.375	\$21.97	EA
001-236 DISOGRIN® ROD SEAL	4.000	4.500	0.562	\$22.41	EA
001-237 DISOGRIN® ROD SEAL	4.000	4.625	0.500	\$26.02	EA
001-238 DISOGRIN® ROD SEAL	4.000	4.625	0.375	\$24.80	EA
001-239 DISOGRIN® ROD SEAL	4.000	4.750	0.625	\$34.64	EA
001-240 DISOGRIN® ROD SEAL	4.000	4.750	0.500	\$31.58	EA
001-241 DISOGRIN® ROD SEAL	4.000	4.750	0.375	\$29.48	EA
001-247 DISOGRIN® ROD SEAL	4.250	4.750	0.562	\$24.80	EA
001-248 DISOGRIN® ROD SEAL	4.250	5.000	0.625	\$31.87	EA
001-249 DISOGRIN® ROD SEAL	4.250	5.000	0.500	\$30.74	EA

TYPE 001 DISOGRIN® ROD SEALS

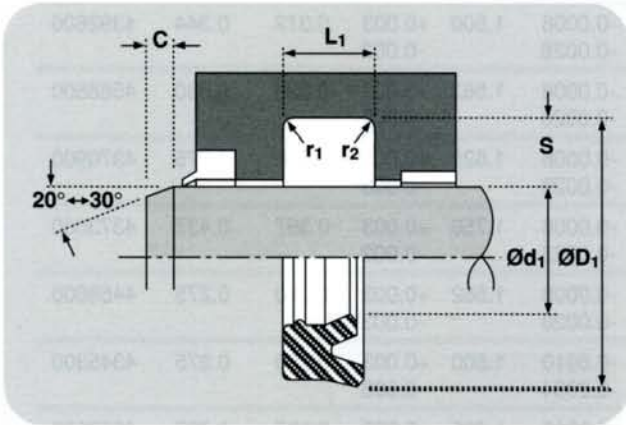
ITEM DESCRIPTION	I.D.	O.D.	HGT.	LIST PRICE	UOM
001-251 DISOGRIN® ROD SEAL	4.375	5.125	0.500	\$21.97	EA
001-252 DISOGRIN® ROD SEAL	4.500	5.000	0.562	\$23.05	EA
001-253 DISOGRIN® ROD SEAL	4.500	5.125	0.500	\$25.29	EA
001-254 DISOGRIN® ROD SEAL	4.500	5.125	0.375	\$24.80	EA
001-255 DISOGRIN® ROD SEAL	4.500	5.250	0.625	\$35.03	EA
001-256 DISOGRIN® ROD SEAL	4.500	5.250	0.500	\$34.59	EA
001-259 DISOGRIN® ROD SEAL	4.750	5.250	0.562	\$24.70	EA
G01-260 DISOGRIN® ROD SEAL	4.750	5.500	0.375	\$45.75	EA
001-260 DISOGRIN® ROD SEAL	4.750	5.500	0.625	\$35.12	EA
001-261 DISOGRIN® ROD SEAL	4.750	5.500	0.500	\$35.12	EA
001-263 DISOGRIN® ROD SEAL	4.875	5.625	0.500	\$35.12	EA
001-264 DISOGRIN® ROD SEAL	5.000	5.500	0.562	\$26.46	EA
001-265 DISOGRIN® ROD SEAL	5.000	5.625	0.500	\$29.23	EA
001-266 DISOGRIN® ROD SEAL	5.000	5.625	0.375	\$29.08	EA
001-267 DISOGRIN® ROD SEAL	5.000	5.750	0.625	\$36.83	EA
001-268 DISOGRIN® ROD SEAL	5.000	5.750	0.500	\$36.83	EA
001-269 DISOGRIN® ROD SEAL	5.250	5.750	0.562	\$28.79	EA
001-272 DISOGRIN® ROD SEAL	5.250	6.000	0.625	\$39.22	EA
G01-278/ DISOGRIN® ROD SEAL	5.500	6.000	0.375	\$27.19	EA
001-278 DISOGRIN® ROD SEAL	5.500	6.000	0.562	\$30.94	EA
001-279 DISOGRIN® ROD SEAL	5.500	6.125	0.500	\$33.47	EA
001-280 DISOGRIN® ROD SEAL	5.500	6.125	0.375	\$33.33	EA
001-281 DISOGRIN® ROD SEAL	5.500	6.250	0.625	\$40.77	EA
001-282 DISOGRIN® ROD SEAL	5.500	6.250	0.500	\$35.76	EA
001-287 DISOGRIN® ROD SEAL	5.750	6.250	0.562	\$37.18	EA
001-292 DISOGRIN® ROD SEAL	6.000	6.500	0.562	\$34.10	EA
001-294 DISOGRIN® ROD SEAL	6.000	6.750	0.500	\$44.05	EA
001-299 DISOGRIN® ROD SEAL	6.500	7.250	0.500	\$46.24	EA
001-302Z DISOGRIN® ROD SEAL	6.750	7.500	0.593	\$47.90	EA
001-306 DISOGRIN® ROD SEAL	7.000	7.500	0.562	\$39.66	EA
001-308 DISOGRIN® ROD SEAL	7.000	7.750	0.500	\$49.40	EA
001-309 DISOGRIN® ROD SEAL	7.000	8.000	0.750	\$62.61	EA
001-310 DISOGRIN® ROD SEAL	7.000	8.000	0.625	\$62.61	EA
001-311 DISOGRIN® ROD SEAL	7.250	8.000	0.625	\$51.64	EA
001-315 DISOGRIN® ROD SEAL	7.500	8.250	0.625	\$52.57	EA
001-316 DISOGRIN® ROD SEAL	7.500	8.250	0.500	\$52.57	EA
001-324 DISOGRIN® ROD SEAL	8.500	9.250	0.500	\$63.97	EA
001-325 DISOGRIN® ROD SEAL	9.000	10.000	0.750	\$79.26	EA
001-326 DISOGRIN® ROD SEAL	9.000	10.000	0.625	\$79.26	EA
001-327 DISOGRIN® ROD SEAL	9.500	10.500	0.750	\$84.38	EA
001-328 DISOGRIN® ROD SEAL	9.500	10.500	0.625	\$82.43	EA
001-329 DISOGRIN® ROD SEAL	10.000	11.000	0.750	\$87.99	EA

TYPE 001 DISOGRIN® ROD SEALS						
ITEM DESCRIPTION	I.D.	O.D.	HGT.	LIST PRICE	UOM	
001-330 DISOGRIN® ROD SEAL	10.000	11.000	0.625	\$84.38	EA	
001-331 DISOGRIN® ROD SEAL	12.000	13.000	0.750	\$140.12	EA	
001-332 DISOGRIN® ROD SEAL	12.000	13.000	0.625	\$135.59	EA	
001-333 DISOGRIN® ROD SEAL	15.000	16.125	1.000	\$223.78	EA	

**QUALITY AND
RELIABLE
SERVICE! LOW
SHIPPING
COSTS!**

Rod Seals

TECHNICAL DETAILS		METRIC		INCH			
OPERATING CONDITIONS							
MAXIMUM SPEED		1.0 m/sec		3.0 ft/sec			
TEMPERATURE RANGE		-45°C + 110°C		-50°F + 230°F			
MAXIMUM PRESSURE		400 bar		6000 p.s.i.			
MAXIMUM EXTRUSION GAP							
PRESSURE bar		160	250	400			
MAXIMUM GAP mm		0.6	0.5	0.4			
PRESSURE p.s.i.		2400	3750	6000			
MAXIMUM GAP in		0.024	0.020	0.016			
SURFACE ROUGHNESS							
DYNAMIC SEALING FACE $\text{Ø}d_1$		0.1 ↔ 0.4	4 max	4 ↔ 16	5 ↔ 18		
STATIC SEALING FACE $\text{Ø}D_1$		1.6 max	10 max	63 max	70 max		
STATIC HOUSING FACES L_1		3.2 max	16 max	125 max	140 max		
CHAMFERS & RADII							
GROOVE SECTION $\leq S$ mm		4.0	5.0	7.5	10.0	12.5	15.0
MIN CHAMFER C mm		3.0	3.5	5.0	6.5	7.0	8.0
MAX FILLET RAD r_1 mm		0.2	0.4	0.8	0.8	1.2	1.6
MAX FILLET RAD r_2 mm		0.4	0.8	1.2	1.2	1.6	2.4
GROOVE SECTION $\leq S$ in		0.125	0.187	0.250	0.312	0.375	0.500
MIN CHAMFER C in		0.093	0.093	0.125	0.156	0.187	0.217
MAX FILLET RAD r_1 in		0.008	0.008	0.016	0.032	0.032	0.032
MAX FILLET RAD r_2 in		0.016	0.016	0.032	0.047	0.047	0.047
TOLERANCES							
$\text{Ø}d_1$		$\text{Ø}D_1$	L_1 mm		L_1 in		
f9		Js11	+0.25 -0		+0.010 -0		



NB: Part numbers commencing 46 or suffixed by "†" are designed to suit popular Asian housings.

Part numbers suffixed by "‡" indicate housing sizes to meet ISO5597.

DESIGN

The Hallite 605 is an asymmetric seal offering superlative dry rod sealing for light and medium duty applications.

The 605 has become an industry standard seal worldwide owing to its twin lip profile and consistent performance.

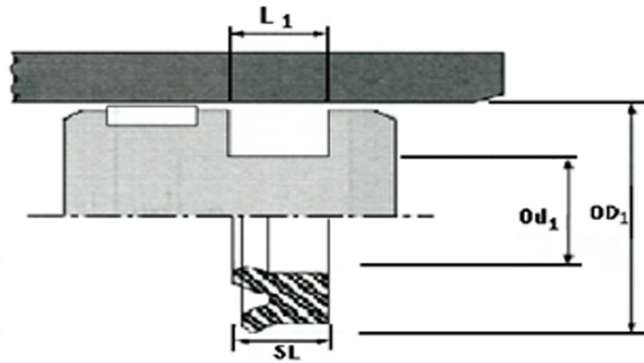
Manufactured in Hythane® - 181, the Hallite 605 is an extremely flexible seal making installation very easy.

The ranges cover most standard housings used in Europe, North America and Asia.

FEATURES

- TWIN LIP DESIGN OFFERING: LOWER FRICTION, IMPROVED SEALING, PRIMARY LIP PROTECTION, INCREASED SEAL STABILITY.
- EASY INSTALLATION

605 ROD SEALS



TYPE 605 HALLITE ROD U-CUPS

ITEM DESCRIPTION	I.D.	O.D.	HEIGHT	LIST PRICE	UOM
3/4 X 1-0/0 X 1/8 T605 HALLITE ROD U-CUP	0.750	1.000	0.125	\$5.30	EA
3/4 X 1-0/0 X 3/16 T605 HALLITE ROD U-CUP	0.750	1.000	0.187	\$5.30	EA
3/4 X 1-0/0 X 1/4 T605 HALLITE ROD U-CUP	0.750	1.000	0.250	\$5.30	EA
3/4 X 1-1/8 X 5/16 T605 HALLITE ROD U-CUP	0.750	1.125	0.312	\$5.72	EA
7/8 X 1-1/8 X 3/16 T605 HALLITE ROD U-CUP	0.875	1.125	0.187	\$5.30	EA
7/8 X 1-1/8 X 1/4 T605 HALLITE ROD U-CUP	0.875	1.125	0.250	\$5.30	EA
7/8 X 1-3/8 X 11/32 T605 HALLITE ROD U-CUP	0.875	1.375	0.341	\$6.60	EA
1-0/0 X 1-1/4 X 3/16 T605 HALLITE ROD U-CUP	1.000	1.250	0.187	\$5.30	EA
1-0/0 X 1-1/4 X 1/4 T605 HALLITE ROD U-CUP	1.000	1.250	0.250	\$8.03	EA
1-0/0 X 1-5/16 X 7/32 T605 HALLITE ROD U-CUP	1.000	1.312	0.218	\$8.03	EA
1-0/0 X 1-3/8 X 1/4 T605 HALLITE ROD U-CUP	1.000	1.375	0.250	\$8.03	EA
1-0/0 X 1-3/8 X 5/16 T605 HALLITE ROD U-CUP	1.000	1.375	0.312	\$8.03	EA
1-0/0 X 1-1/2 X 3/8 T605 HALLITE ROD U-CUP	1.000	1.500	0.375	\$5.38	EA
1-1/6 X 1.302 X 13/64 T605 HALLITE ROD U-CUP	1.062	1.302	0.203	\$8.03	EA
1-1/8 X 1-3/8 X 3/16 T605 HALLITE ROD U-CUP	1.125	1.375	0.187	\$6.99	EA
1-1/8 X 1-3/8 X 1/4 T605 HALLITE ROD U-CUP	1.125	1.375	0.250	\$8.03	EA
1-1/8 X 1-1/2 X 5/16 T605 HALLITE ROD U-CUP	1.125	1.500	0.312	\$8.03	EA
1-1/8 X 1-5/8 X 1/4 T605 HALLITE ROD U-CUP	1.125	1.625	0.250	\$5.61	EA
1-3/16 X 1-9/16 X 1/4 T605 HALLITE ROD U-CUP	1.187	1.562	0.250	\$5.61	EA
1-1/4 X 1-1/2 X 3/16 T605 HALLITE ROD U-CUP	1.250	1.500	0.187	\$5.40	EA
1-1/4 X 1-1/2 X 1/4 T605 HALLITE ROD U-CUP	1.250	1.500	0.250	\$5.40	EA
1-1/4 X 1-5/8 X 3/16 T605 HALLITE ROD U-CUP	1.250	1.625	0.187	\$6.06	EA
1-1/4 X 1-5/8 X 1/4 T605 HALLITE ROD U-CUP	1.250	1.625	0.250	\$6.06	EA
1-1/4 X 1-5/8 X 5/16 T605 HALLITE ROD U-CUP	1.250	1.625	0.312	\$6.06	EA
1-1/4 X 1-3/4 X 3/8 T605 HALLITE ROD U-CUP	1.250	1.750	0.375	\$9.09	EA
1-3/8 X 1-5/8 X 3/16 T605 HALLITE ROD U-CUP	1.375	1.625	0.187	\$12.77	EA
1-3/8 X 1-5/8 X 1/4 T605 HALLITE ROD U-CUP	1.375	1.625	0.250	\$5.95	EA
1-3/8 X 1-3/4 X 3/16 T605 HALLITE ROD U-CUP	1.375	1.750	0.187	\$5.95	EA
1-3/8 X 1-3/4 X 5/16 T605 HALLITE ROD U-CUP	1.375	1.750	0.312	\$5.95	EA
1-3/8 X 1-7/8 X 3/8 T605 HALLITE ROD U-CUP	1.375	1.875	0.375	\$5.95	EA
1-1/2 X 1-3/4 X 1/4 T605 HALLITE ROD U-CUP	1.500	1.750	0.250	\$6.17	EA
1-1/2 X 1-7/8 X 3/16 T605 HALLITE ROD U-CUP	1.500	1.875	0.187	\$6.17	EA
1-1/2 X 1-7/8 X 1/4 T605 HALLITE ROD U-CUP	1.500	1.875	0.250	\$6.17	EA
1-1/2 X 1-7/8 X 5/16 T605 HALLITE ROD U-CUP	1.500	1.875	0.312	\$6.17	EA

TYPE 605 HALLITE ROD U-CUPS

ITEM DESCRIPTION	I.D.	O.D.	HEIGHT	LIST PRICE	UOM
1-1/2 X 1-7/8 X 3/8 T605 HALLITE ROD U-CUP	1.500	1.875	0.375	\$6.17	EA
1-1/2 X 2-0/0 X 1/4 T605 HALLITE ROD U-CUP	1.500	2.000	0.250	\$6.65	EA
1-1/2 X 2-0/0 X 3/8 T605 HALLITE ROD U-CUP	1.500	2.000	0.375	\$6.65	EA
1-1/2 X 2-1/8 X 3/8 T605 HALLITE ROD U-CUP	1.500	2.125	0.375	\$7.82	EA
1-5/8 X 1-7/8 X 1/4 T605 HALLITE ROD U-CUP	1.625	1.875	0.250	\$6.65	EA
1-5/8 X 2-0/0 X 5/16 T605 HALLITE ROD U-CUP	1.625	2.000	0.312	\$6.65	EA
1-5/8 X 2-0/0 X 3/8 T605 HALLITE ROD U-CUP	1.625	2.000	0.375	\$6.65	EA
1-5/8 X 2-1/8 X 3/8 T605 HALLITE ROD U-CUP	1.625	2.125	0.375	\$7.32	EA
1-3/4 X 2-0/0 X 1/4 T605 HALLITE ROD U-CUP	1.750	2.000	0.250	\$5.99	EA
1-3/4 X 2-1/8 X 1/4 T605 HALLITE ROD U-CUP	1.750	2.125	0.250	\$7.15	EA
1-3/4 X 2-1/8 X 5/16 T605 HALLITE ROD U-CUP	1.750	2.125	0.312	\$10.32	EA
1-3/4 X 2-1/8 X 3/8 T605 HALLITE ROD U-CUP	1.750	2.125	0.375	\$10.32	EA
1-3/4 X 2-1/4 X 1/4 T605 HALLITE ROD U-CUP	1.750	2.250	0.250	\$7.36	EA
1-3/4 X 2-1/4 X 3/8 T605 HALLITE ROD U-CUP	1.750	2.250	0.375	\$7.36	EA
1-3/4 X 2-1/4 X 1/2 T605 HALLITE ROD U-CUP	1.750	2.250	0.500	\$9.34	EA
1-3/4 X 2-3/8 X 7/16 T605 HALLITE ROD U-CUP	1.750	2.375	0.437	\$9.34	EA
1-7/8 X 2-1/4 X 3/8 T605 HALLITE ROD U-CUP	1.875	2.250	0.375	\$7.36	EA
1-7/8 X 2-1/4 X 5/16 T605 HALLITE ROD U-CUP	1.875	2.250	0.312	\$9.07	EA
1-7/8 X 2-3/8 X 3/8 T605 HALLITE ROD U-CUP	1.875	2.375	0.375	\$9.38	EA
2-0/0 X 2-1/4 X 1/4 T605 HALLITE ROD U-CUP	2.000	2.250	0.250	\$8.01	EA
2-0/0 X 2-3/8 X 1/4 T605 HALLITE ROD U-CUP	2.000	2.375	0.250	\$8.01	EA
2-0/0 X 2-3/8 X 5/16 T605 HALLITE ROD U-CUP	2.000	2.375	0.312	\$8.01	EA
2-0/0 X 2-3/8 X 3/8 T605 HALLITE ROD U-CUP	2.000	2.375	0.375	\$8.01	EA
2-0/0 X 2-1/2 X 1/4 T605 HALLITE ROD U-CUP	2.000	2.500	0.250	\$8.19	EA
2-0/0 X 2-1/2 X 5/16 T605 HALLITE ROD U-CUP	2.000	2.500	0.312	\$8.52	EA
2-0/0 X 2-1/2 X 3/8 T605 HALLITE ROD U-CUP	2.000	2.500	0.375	\$9.55	EA
2-0/0 X 2-5/8 X 5/16 T605 HALLITE ROD U-CUP	2.000	2.625	0.312	\$9.69	EA
2-0/0 X 2-5/8 X 1/2 T605 HALLITE ROD U-CUP	2.000	2.625	0.500	\$10.30	EA
2-0/0 X 2-3/4 X 5/8 T605 HALLITE ROD U-CUP	2.000	2.750	0.625	\$13.03	EA
2-1/8 X 2-1/2 X 3/8 T605 HALLITE ROD U-CUP	2.125	2.500	0.375	\$9.90	EA
2-1/4 X 2-5/8 X 3/8 T605 HALLITE ROD U-CUP	2.250	2.625	0.375	\$9.96	EA
2-1/4 X 2-3/4 X 3/8 T605 HALLITE ROD U-CUP	2.250	2.750	0.375	\$10.10	EA
2-3/8 X 2-3/4 X 3/8 T605 HALLITE ROD U-CUP	2.375	2.750	0.375	\$10.24	EA
2-3/8 X 2-7/8 X 3/8 T605 HALLITE ROD U-CUP	2.375	2.875	0.375	\$10.24	EA
2-1/2 X 2-7/8 X 5/16 T605 HALLITE ROD U-CUP	2.500	2.875	0.312	\$10.24	EA
2-1/2 X 2-7/8 X 3/8 T605 HALLITE ROD U-CUP	2.500	2.875	0.375	\$10.24	EA
2-1/2 X 2-15/16 X 5/16 T605 HALLITE ROD U-CUP	2.500	2.937	0.312	\$10.37	EA
2-1/2 X 2-15/16 X 9/32 T605 HALLITE ROD U-CUP	2.500	2.937	0.284	\$10.06	EA
2-1/2 X 3-0/0 X 1/4 T605 HALLITE ROD U-CUP	2.500	3.000	0.250	\$10.37	EA
2-1/2 X 3-0/0 X 5/16 T605 HALLITE ROD U-CUP	2.500	3.000	0.312	\$10.37	EA
2-1/2 X 3-0/0 X 3/8 T605 HALLITE ROD U-CUP	2.500	3.000	0.375	\$11.03	EA
2-1/2 X 3-1/8 X 1/2 T605 HALLITE ROD U-CUP	2.500	3.125	0.500	\$11.56	EA
2-1/2 X 3-1/4 X 5/8 T605 HALLITE ROD U-CUP	2.500	3.250	0.625	\$15.98	EA
2-5/8 X 3-0/0 X 3/8 T605 HALLITE ROD U-CUP	2.625	3.000	0.375	\$10.48	EA
2-5/8 X 3-1/8 X 1/2 T605 HALLITE ROD U-CUP	2.625	3.125	0.500	\$16.38	EA

TYPE 605 HALLITE ROD U-CUPS

ITEM DESCRIPTION	I.D.	O.D.	HEIGHT	LIST PRICE	UOM
2-5/8 X 3-1/4 X 5/8 T605 HALLITE ROD U-CUP	2.625	3.250	0.625	\$16.38	EA
2-3/4 X 3-1/8 X 3/8 T605 HALLITE ROD U-CUP	2.750	3.125	0.375	\$10.86	EA
2-3/4 X 3-1/4 X 3/8 T605 HALLITE ROD U-CUP	2.750	3.250	0.375	\$10.86	EA
2-3/4 X 3-3/8 X 3/8 T605 HALLITE ROD U-CUP	2.750	3.375	0.375	\$12.60	EA
2-3/4 X 3-3/8 X 1/2 T605 HALLITE ROD U-CUP	2.750	3.375	0.500	\$15.70	EA
2-3/4 X 3-1/2 X 5/8 T605 HALLITE ROD U-CUP	2.750	3.500	0.625	\$17.48	EA
2-7/8 X 3-1/4 X 3/8 T605 HALLITE ROD U-CUP	2.875	3.250	0.375	\$12.28	EA
3-0/0 X 3-3/8 X 3/8 T605 HALLITE ROD U-CUP	3.000	3.375	0.375	\$12.28	EA
3-0/0 X 3-7/16 X 9/32 T605 HALLITE ROD U-CUP	3.000	3.437	0.281	\$11.65	EA
3-0/0 X 3-1/2 X 3/8 T605 HALLITE ROD U-CUP	3.000	3.500	0.375	\$12.62	EA
3-0/0 X 3-1/2 X 5/8 T605 HALLITE ROD U-CUP	3.000	3.500	0.625	\$13.99	EA
3-0/0 X 3-1/2 X 25/32 T605 HALLITE ROD U-CUP	3.000	3.500	0.781	\$13.99	EA
3-0/0 X 3-5/8 X 1/2 T605 HALLITE ROD U-CUP	3.000	3.625	0.500	\$16.86	EA
3-0/0 X 3-3/4 X 5/8 T605 HALLITE ROD U-CUP	3.000	3.750	0.625	\$19.01	EA
3-1/8 X 3-1/2 X 3/8 T605 HALLITE ROD U-CUP	3.125	3.500	0.375	\$19.01	EA
3-1/8 X 3-1/2 X 5/8 T605 HALLITE ROD U-CUP	3.125	3.500	0.625	\$19.11	EA
3-1/4 X 3-5/8 X 9/16 T605 HALLITE ROD U-CUP	3.250	3.625	0.562	\$15.01	EA
3-1/4 X 3-3/4 X 3/8 T605 HALLITE ROD U-CUP	3.250	3.750	0.375	\$15.01	EA
3-1/4 X 3-7/8 X 1/2 T605 HALLITE ROD U-CUP	3.250	3.875	0.500	\$16.51	EA
3-3/8 X 4-0/0 X 19/32 T605 HALLITE ROD U-CUP	3.375	4.000	0.593	\$14.03	EA
3-1/2 X 4-0/0 X 5/16 T605 HALLITE ROD U-CUP	3.500	4.000	0.312	\$12.07	EA
3-1/2 X 4-0/0 X 3/8 T605 HALLITE ROD U-CUP	3.500	4.000	0.375	\$13.48	EA
3-1/2 X 4-1/4 X 5/8 T605 HALLITE ROD U-CUP	3.500	4.250	0.625	\$21.62	EA
3-5/8 X 4-1/8 X 3/8 T605 HALLITE ROD U-CUP	3.625	4.125	0.375	\$16.65	EA
3-3/4 X 4-1/4 X 3/8 T605 HALLITE ROD U-CUP	3.750	4.250	0.375	\$16.38	EA
3-3/4 X 4-1/4 X 1/2 T605 HALLITE ROD U-CUP	3.750	4.250	0.500	\$17.74	EA
3-3/4 X 4-1/4 X 9/16 T605 HALLITE ROD U-CUP	3.750	4.250	0.562	\$17.74	EA
4-0/0 X 4-3/8 X 3/8 T605 HALLITE ROD U-CUP	4.000	4.375	0.375	\$14.85	EA
4-0/0 X 4-1/2 X 3/16 T605 HALLITE ROD U-CUP	4.000	4.500	0.312	\$16.27	EA
4-0/0 X 4-1/2 X 3/8 T605 HALLITE ROD U-CUP	4.000	4.500	0.375	\$15.01	EA
4-0/0 X 4-1/2 X 9/16 T605 HALLITE ROD U-CUP	4.000	4.500	0.562	\$16.87	EA
4-0/0 X 4-1/2 X 25/32 T605 HALLITE ROD U-CUP	4.000	4.500	0.781	\$17.74	EA
4-0/0 X 4-5/8 X 3/8 T605 HALLITE ROD U-CUP	4.000	4.625	0.375	\$17.74	EA
4-0/0 X 4-5/8 X 1/2 T605 HALLITE ROD U-CUP	4.000	4.625	0.500	\$18.73	EA
4-0/0 X 4-3/4 X 1/2 T605 HALLITE ROD U-CUP	4.000	4.750	0.500	\$24.43	EA
4-0/0 X 4-3/4 X 5/8 T605 HALLITE ROD U-CUP	4.000	4.750	0.625	\$24.42	EA
4-1/4 X 5-0/0 X 5/8 T605 HALLITE ROD U-CUP	4.250	5.000	0.625	\$25.56	EA
4-1/2 X 5-0/0 X 3/8 T605 HALLITE ROD U-CUP	4.500	5.000	0.375	\$20.58	EA
4-1/2 X 5-1/8 X 1/2 T605 HALLITE ROD U-CUP	4.500	5.125	0.500	\$22.11	EA
4-1/2 X 5-1/8 X 5/8 T605 HALLITE ROD U-CUP	4.500	5.125	0.625	\$22.11	EA
4-1/2 X 5-1/4 X 5/8 T605 HALLITE ROD U-CUP	4.500	5.250	0.625	\$26.83	EA
4-5/8 X 5-1/4 X 5/8 T605 HALLITE ROD U-CUP	4.625	5.250	0.625	\$22.25	EA
4-3/4 X 5-1/8 X 3/8 T605 HALLITE ROD U-CUP	4.750	5.125	0.375	\$26.16	EA
5-0/0 X 5-1/2 X 3/8 T605 HALLITE ROD U-CUP	5.000	5.500	0.375	\$23.35	EA
5-0/0 X 5-1/2 X 9/16 T605 HALLITE ROD U-CUP	5.000	5.500	0.562	\$23.61	EA

TYPE 605 HALLITE ROD U-CUPS

ITEM DESCRIPTION	I.D.	O.D.	HEIGHT	LIST PRICE	UOM
5-0/0 X 5-1/2 X 25/32 T605 HALLITE ROD U-CUP	5.000	5.500	0.781	\$23.88	EA
5-0/0 X 5-5/8 X 1/2 T605 HALLITE ROD U-CUP	5.000	5.562	0.500	\$24.89	EA
5-0/0 X 5-3/4 X 5/8 T605 HALLITE ROD U-CUP	5.000	5.750	0.625	\$29.40	EA
5-1/8 X 5-5/8 X 9/16 T605 HALLITE ROD U-CUP	5.125	5.625	0.562	\$24.91	EA
5-1/8 X 6-0/0 X 1/2 T605 HALLITE ROD U-CUP	5.125	6.000	0.500	\$33.26	EA
5-3/8 X 6-0/0 X 5/8 T605 HALLITE ROD U-CUP	5.375	6.000	0.625	\$30.30	EA
5-1/2 X 6-0/0 X 3/8 T605 HALLITE ROD U-CUP	5.500	6.000	0.375	\$26.14	EA
5-1/2 X 6-0/0 X 9/16 T605 HALLITE ROD U-CUP	5.500	6.000	0.562	\$26.53	EA
5-1/2 X 6-1/8 X 5/16 T605 HALLITE ROD U-CUP	5.500	6.125	0.312	\$31.39	EA
5-1/2 X 6-1/4 X 5/8 T605 HALLITE ROD U-CUP	5.500	6.250	0.625	\$32.62	EA
5-5/8 X 6-1/8 X 3/8 T605 HALLITE ROD U-CUP	5.625	6.125	0.375	\$32.76	EA
6-0/0 X 6-1/2 X 9/16 T605 HALLITE ROD U-CUP	6.000	6.500	0.562	\$32.91	EA
6-0/0 X 6-1/2 X 25/32 T605 HALLITE ROD U-CUP	6.000	6.500	0.781	\$32.91	EA
6-0/0 X 6-3/4 X 5/8 T605 HALLITE ROD U-CUP	6.000	6.750	0.625	\$34.12	EA
6-1/2 X 7-1/4 X 5/8 T605 HALLITE ROD U-CUP	6.500	7.250	0.625	\$36.14	EA
7-0/0 X 7-1/2 X 9/16 T605 HALLITE ROD U-CUP	7.000	7.500	0.562	\$34.53	EA
7-0/0 X 7-1/2 X 25/32 T605 HALLITE ROD U-CUP	7.000	7.500	0.781	\$35.14	EA
7-0/0 X 7-3/4 X 5/8 T605 HALLITE ROD U-CUP	7.000	7.750	0.625	\$38.62	EA
7-1/2 X 8 X 3/8 T605 HALLITE ROD U-CUP	7.500	8.000	0.375	\$36.42	EA
7-3/4 X 8-1/2 X 5/8 T605 HALLITE ROD U-CUP	7.750	8.500	0.625	\$42.06	EA
8-0/0 X 8-1/2 X 3/8 T605 HALLITE ROD U-CUP	8.000	8.500	0.375	\$38.22	EA
8-0/0 X 8-1/2 X 9/16 T605 HALLITE ROD U-CUP	8.000	8.500	0.562	\$38.42	EA
8-0/0 X 8-3/4 X 5/8 T605 HALLITE ROD U-CUP	8.000	8.750	0.625	\$47.00	EA
8-1/8 X 8-5/8 X 25/32 T605 HALLITE ROD U-CUP	8.125	8.625	0.781	\$403.94	EA
9-3/8 X 9 7/8 X 25/32 T605 HALLITE ROD U-CUP	9.375	9.875	0.781	\$54.59	EA
10 X 10 1/2 X 5/62 T605 HALLITE ROD U-CUP	10.000	10.500	0.562	\$51.74	EA

It is important to note that the range of products available from Precision Seals, Inc. is not limited to those shown in this catalog.

Please contact our customer service for any items not shown.

Rod/Piston seals

TECHNICAL DETAILS

METRIC

INCH

OPERATING CONDITIONS

MAXIMUM SPEED
TEMPERATURE RANGE
MAXIMUM PRESSURE

1.0 m/sec
-45°C + 110°C
400 bar*

3.0 ft/sec
-50°F + 230°F
6,000 p.s.i.*

MAXIMUM EXTRUSION GAP

PRESSURE bar
MAXIMUM GAP mm
PRESSURE p.s.i.
MAXIMUM GAP in

160	250	400
0.6	0.5	0.4
2400	3750	6000
0.024	0.020	0.016

Figures show the maximum permissible gap all on one side, for rod seals using minimum rod \varnothing and maximum clearance \varnothing and for piston seals using the minimum clearance \varnothing and maximum bore \varnothing

SURFACE ROUGHNESS

DYNAMIC SEALING FACE - ROD $\varnothing d_1$
STATIC SEALING FACE - ROD $\varnothing D_1$
DYNAMIC SEALING FACE - PISTON $\varnothing d_1$
STATIC SEALING FACE - PISTON $\varnothing D_1$
STATIC HOUSING FACES L_1

μmRa	μmRt	μinCLA	μinRMS
0.1 ↔ 0.4	4 max	4 ↔ 16	5 ↔ 18
1.6 max	10 max	63 max	70 max
0.1 ↔ 0.4	4 max	4 ↔ 16	5 ↔ 18
1.6 max	10 max	63 max	70 max
3.2 max	16 max	125 max	140 max

CHAMFERS & RADII

GROOVE SECTION $\leq S$ mm
MIN CHAMFER C mm
MAX FILLET RAD r_1 mm
MAX FILLET RAD r_2 mm
GROOVE SECTION $\leq S$ in
MIN CHAMFER C in
MAX FILLET RAD r_1 in
MAX FILLET RAD r_2 in

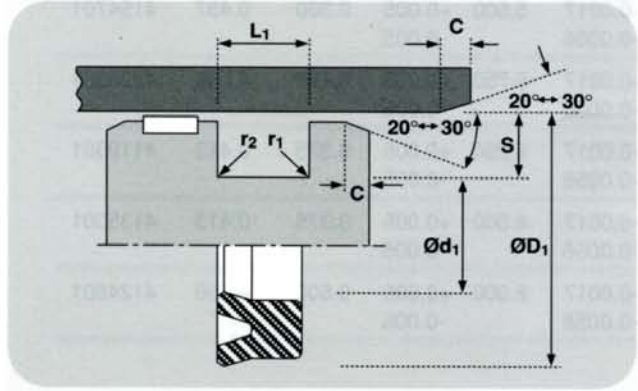
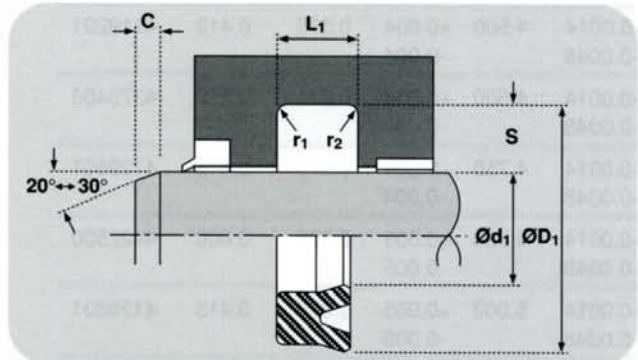
4.0	5.0	7.5	10.0	12.5	15.0	20.0
3.0	3.5	5.0	6.5	7.0	8.0	10.0
0.2	0.4	0.8	0.8	1.2	1.6	1.6
0.4	0.8	1.2	1.2	1.6	2.4	2.4
0.125	0.187	0.250	0.312	0.375	0.500	
0.093	0.093	0.125	0.156	0.187	0.217	
0.008	0.008	0.016	0.032	0.032	0.032	
0.016	0.016	0.032	0.047	0.047	0.047	

TOLERANCES

ROD
PISTON

$\varnothing d_1$	$\varnothing D_1$	L_1 mm	L_1 in
f9	Js11	+0.25 -0	+0.010 -0
js11	H9	+0.25 -0	+0.010 -0

* Pressure rating of seal can be extended to 700 bar /10,000p.s.i. with the use of a back up ring. If this option is required seek advice from your local Hallite Seals sales office. Type 606 is preferred for back to back piston application.



DESIGN

The Hallite 601 is a high performance general purpose seal suitable for rod and piston use.

Manufactured in Hythane® 181 - Hallite's 601 is engineered to effect a good seal in most industrial cylinder applications.

The sealing lips are accurately machine trimmed to ensure good low pressure sealing while the material resists extrusion at high pressures.

FEATURES

- GENERAL PURPOSE SEAL
- EXCELLENT TEMPERATURE RESISTANCE
- EASE OF INSTALLATION

NB:

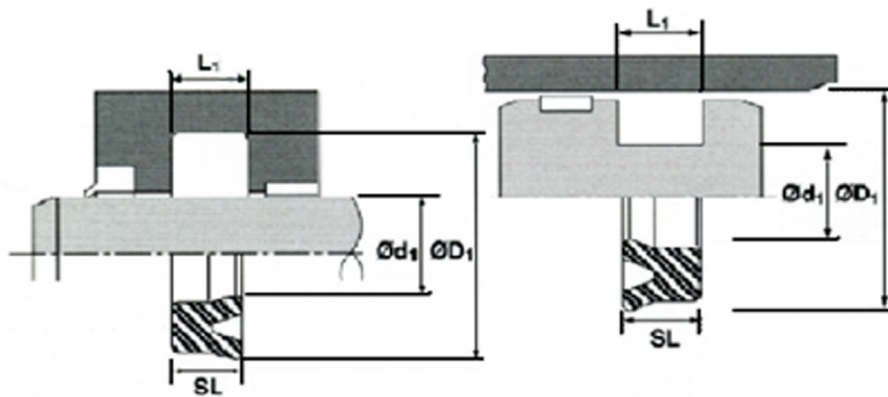
Hallite 606 is the preferred option for back to back piston applications.

Part numbers commencing 46 are designed to suit popular Asian housings.

Part numbers suffixed by "‡" indicate housing sizes to meet ISO5597.

Size lists give "on line" tolerances for rod applications.

601 ROD / PISTON SEALS



TYPE 601 SYMMETRICAL U-CUPS

ITEM DESCRIPTION	I.D.	O.D.	HEIGHT	LIST PRICE	UOM
1/2 X 3/4 X 1/4 TYPE 601 SYM. U-CUP	0.500	0.750	0.250	\$4.33	EA
1/2 X 1-0 X 1/4 TYPE 601 SYM. U-CUP	0.500	1.000	0.250	\$4.90	EA
5/8 X 1-0 X 3/16 TYPE 601 SYM. U-CUP	0.625	1.000	0.188	\$4.41	EA
5/8 X 1-1/8 X 1/4 TYPE 601 SYM. U-CUP	0.625	1.125	0.250	\$4.90	EA
3/4 X 1-1/4 X 1/4 TYPE 601 SYM. U-CUP	0.750	1.250	0.250	\$4.41	EA
7/8 X 1-3/8 X 1/4 TYPE 601 SYM. U-CUP	0.875	1.375	0.250	\$4.41	EA
1-0 X 1-1/2 X 1/4 TYPE 601 SYM. U-CUP	1.000	1.500	0.250	\$6.55	EA
1-1/4 X 1-3/4 X 1/4 TYPE 601 SYM. U-CUP	1.250	1.750	0.250	\$5.66	EA
1-1/4 X 1-3/4 X 3/8 TYPE 601 SYM. U-CUP	1.250	1.750	0.375	\$5.66	EA
1-3/8 X 1-3/4 X 3/8 TYPE 601 SYM. U-CUP	1.375	1.750	0.375	\$5.70	EA
1-1/2 X 2-0 X 1/4 TYPE 601 SYM. U-CUP	1.500	2.000	0.250	\$6.67	EA
1-3/4 X 2-1/4 X 1/4 TYPE 601 SYM. U-CUP	1.750	2.250	0.250	\$7.36	EA
1-3/4 X 2-1/4 X 3/8 TYPE 601 SYM. U-CUP	1.750	2.250	0.375	\$7.36	EA
1-3/4 X 2-3/8 X 9/16 TYPE 601 SYM. U-CUP	1.750	2.375	0.562	\$7.52	EA
2-0 X 2-3/8 X 1/4 TYPE 601 SYM. U-CUP	2.000	2.375	0.250	\$7.30	EA
2-0 X 2-3/8 X 5/16 TYPE 601 SYM. U-CUP	2.000	2.375	0.312	\$11.79	EA
2-0 X 2-1/2 X 3/8 TYPE 601 SYM. U-CUP	2.000	2.500	0.375	\$12.47	EA
2-0 X 2-5/8 X 1/2 TYPE 601 SYM. U-CUP	2.000	2.625	0.500	\$9.69	EA
2-0 X 2-5/8 X 9/16 TYPE 601 SYM. U-CUP	2.000	2.625	0.562	\$9.69	EA
2-1/8 X 2-1/2 X 1/4 TYPE 601 SYM. U-CUP	2.125	2.500	0.250	\$7.82	EA
2-1/8 X 2-5/8 X 3/8 TYPE 601 SYM. U-CUP	2.125	2.625	0.375	\$8.39	EA
2-1/4 X 2-3/4 3/8 TYPE 601 SYM. U-CUP	2.250	2.750	0.375	\$9.02	EA
2-3/8 X 3-0 X 5/16 TYPE 601 SYM. U-CUP	2.375	3.000	0.312	\$9.31	EA

TYPE 601 SYMMETRICAL U-CUPS

ITEM DESCRIPTION	I.D.	O.D.	HEIGHT	LIST PRICE	UOM
2-1/2 X 3-0 X 3/8 TYPE 601 SYM. U-CUP	2.500	3.000	0.375	\$9.88	EA
2-1/2 X 3-1/8 X 5/16 TYPE 601 SYM. U-CUP	2.500	3.125	0.312	\$11.57	EA
2-5/8 X 3-0 X 1/4 TYPE 601 SYM. U-CUP	2.625	3.000	0.250	\$8.39	EA
2-5/8 X 3-1/8 X 3/8 TYPE 601 SYM. U-CUP	2.625	3.125	0.375	\$10.58	EA
2-3/4 X 3-3/8 X 9/16 TYPE 601 SYM. U-CUP	2.750	3.375	0.562	\$12.61	EA
3-0 X 3-5/8 X 9/16 TYPE 601 SYM. U-CUP	3.000	3.625	0.562	\$13.55	EA
3-3/4 X 4-1/2 X 3/8 TYPE 601 SYM. U-CUP	3.750	4.500	0.375	\$16.28	EA
4-0 X 4-3/4 X 3/8 TYPE 601 SYM. U-CUP	4.000	4.750	0.375	\$24.44	EA
4-1/4 X 5-0 X 3/8 TYPE 601 SYM. U-CUP	4.250	5.000	0.375	\$30.69	EA
4-1/2 X 5-0 X 3/8 TYPE 601 SYM. U-CUP	4.500	5.000	0.375	\$18.41	EA
5-1/2 X 6-1/4 X 3/8 TYPE 601 SYM. U-CUP	5.500	6.250	0.375	\$39.00	EA
5-3/4 X 6-1/2 X 3/8 TYPE 601 SYM. U-CUP	5.750	6.500	0.375	\$33.66	EA
6-3/8 X 7 X 11/16 TYPE 601 SYM. U-CUP	6.375	7.000	0.687	\$57.10	EA
7-0 X 8-0 X 1/2 TYPE 601 SYM. U-CUP	7.000	8.000	0.500	\$46.27	EA

Other sizes available, call to speak with a sales representative today!

621



TECHNICAL DETAILS

METRIC ○ INCH ●

OPERATING CONDITIONS

MAXIMUM SPEED	1.0 m/sec	3.0 ft/sec
TEMPERATURE RANGE	-45°C + 110°C	-50°F + 230°F
MAXIMUM PRESSURE	700 bar	10,000 p.s.i.

MAXIMUM EXTRUSION GAP

PRESSURE bar	160	250	400	500	700
MAXIMUM GAP mm	1.0	0.8	0.6	0.4	0.25
PRESSURE p.s.i.	2400	3750	6000	7500	10,000
MAXIMUM GAP in	0.040	0.032	0.024	0.016	0.010

Figures show the maximum permissible gap all on one side using minimum rod \varnothing and maximum clearance \varnothing .

SURFACE ROUGHNESS

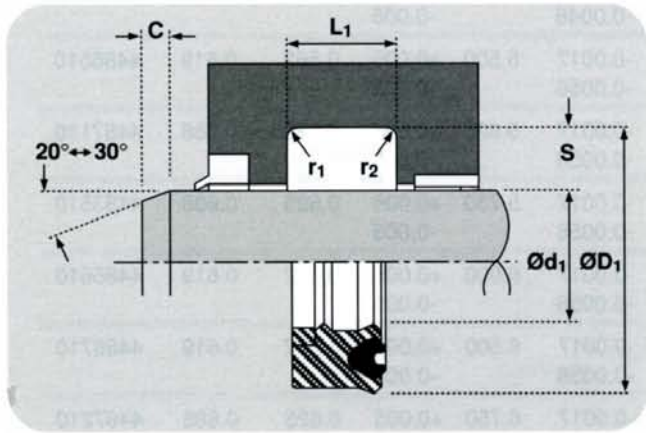
DYNAMIC SEALING FACE $\varnothing d_1$	0.1 ↔ 0.4	4 max	4 ↔ 16	5 ↔ 18
STATIC SEALING FACE $\varnothing D_1$	1.6 max	10 max	63 max	70 max
STATIC HOUSING FACES L_1	3.2 max	16 max	125 max	140 max

CHAMFERS & RADII

GROOVE SECTION $\leq S$ mm	4.0	5.0	7.5	10.0	12.5	15.0
MIN CHAMFER C mm	3.0	3.5	5.0	6.5	7.0	8.0
MAX FILLET RAD r_1 mm	0.2	0.4	0.8	0.8	1.2	1.6
MAX FILLET RAD r_2 mm	0.4	0.8	1.2	1.2	1.6	2.4
GROOVE SECTION $\leq S$ in	0.125	0.187	0.250	0.312	0.375	0.500
MIN CHAMFER C in	0.093	0.093	0.125	0.156	0.187	0.217
MAX FILLET RAD r_1 in	0.008	0.008	0.016	0.016	0.032	0.032
MAX FILLET RAD r_2 in	0.016	0.016	0.032	0.032	0.047	0.047

TOLERANCES

$\varnothing d_1$	$\varnothing D_1$	L_1 mm	L_1 in
f9	Js11	+0.25 -0	+0.010 -0



DESIGN

The Hallite 621 is a top of the range high pressure rod seal. The design of the seal incorporates a unique profiled NBR energiser to ensure complete lip actuation under all pressure conditions and to cushion the seal against shock loadings.

The shell is moulded in Hallite's high performance polyurethane Hythane 181, ensuring flexibility for installation and performance at low temperatures. The Hallite 621 also benefits from Hallite's twin lip profile for dry rod sealing.

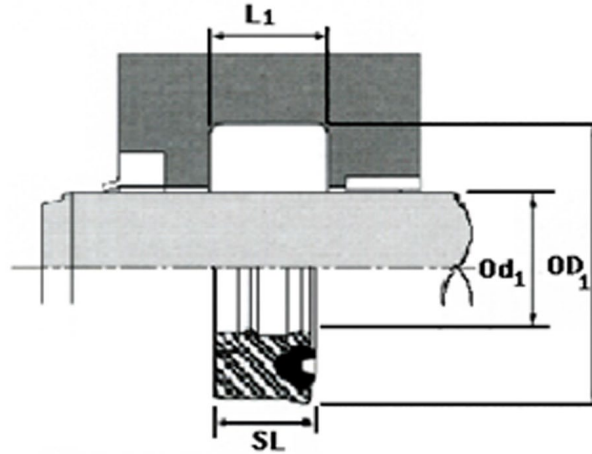
FEATURES

- HIGH PRESSURE/SHOCK LOAD CAPABILITY
- TWIN LIP DESIGN OFFERING:
 - LOWER FRICTION
 - IMPROVED SEALING
 - PRIMARY LIP PROTECTION
 - INCREASED SEAL STABILITY
- POLYACETAL ANTI-EXTRUSION RING.

NB: Part numbers suffixed by "†" are designed to suit popular Asian housings.

Part numbers suffixed by "‡" indicate housing sizes to meet ISO5597.

621 ROD SEAL WITH RING



TYPE 621 ROD SEALS W/ANTI-EXTRUSION RING

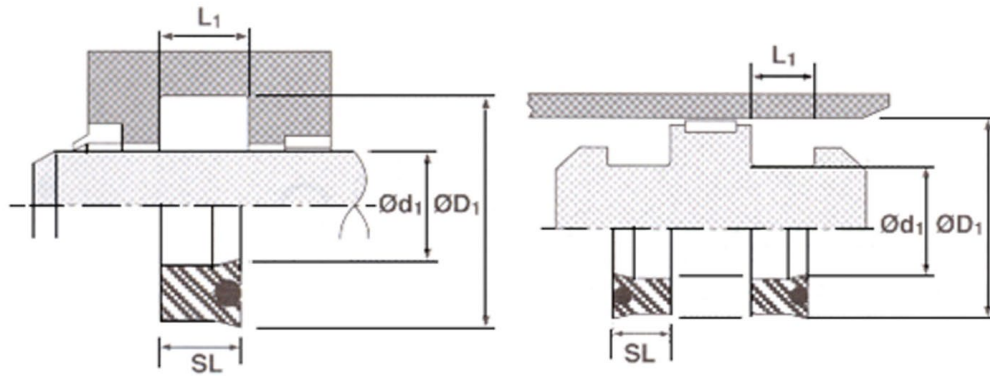
ITEM DESCRIPTION	I.D.	O.D.	HEIGHT	LIST PRICE	UOM
1-3/8 X 1-7/8 X 3/8 T621 ROD SEAL W/ EXT RING	1.375	1.875	0.375	\$17.77	EA
1-1/2 X 1-7/8 X 1/4 T621 ROD SEAL W/ EXT RING	1.500	1.875	0.250	\$14.29	EA
1-1/2 X 1-7/8 X 5/16 T621 ROD SEAL W/ EXT RING	1.500	1.875	0.312	\$14.11	EA
1-1/2 X 2-0 X 3/8 T621 ROD SEAL W/ EXT RING	1.500	2.000	0.375	\$20.31	EA
1-3/4 X 2-1/8 X 1/4 T621 ROD SEAL W/ EXT RING	1.750	2.125	0.250	\$14.67	EA
1-3/4 X 2-1/8 X 3/8 T621 ROD SEAL W/ EXT RING	1.750	2.125	0.375	\$16.62	EA
1-3/4 X 2-1/4 X 3/8 T621 ROD SEAL W/ EXT RING	1.750	2.250	0.375	\$15.42	EA
2-0 X 2-3/8 X 3/8 T621 ROD SEAL W/ EXT RING	2.000	2.375	0.375	\$15.40	EA
2-0 X 2-1/2 X 3/8 T621 ROD SEAL W/ EXT RING	2.000	2.500	0.375	\$17.29	EA
2-1/8 X 2-5/8 X 3/8 T621 ROD SEAL W/ EXT RING	2.125	2.625	0.375	\$25.45	EA
2-1/4 X 2-3/4 X 3/8 T621 ROD SEAL W/ EXT RING	2.250	2.750	0.375	\$20.66	EA
2-3/8 X 2-7/8 X 3/8 T621 ROD SEAL W/ EXT RING	2.375	2.875	0.375	\$21.40	EA
2-1/2 X 3-0 X 3/8 T621 ROD SEAL W/ EXT RING	2.500	3.000	0.375	\$22.06	EA
2-3/4 X 3-1/4 X 3/8 T621 ROD SEAL W/ EXT RING	2.750	3.250	0.375	\$23.50	EA
3-0 X 3-1/2 X 3/8 T621 ROD SEAL W/ EXT RING	3.000	3.500	0.375	\$24.84	EA
3-0 X 3-5/8 X 1/2 T621 ROD SEAL W/ EXT RING	3.000	3.625	0.500	\$27.65	EA
3-0 X 3-3/4 X 5/8 T621 ROD SEAL W/ EXT RING	3.000	3.750	0.625	\$37.46	EA
3-1/4 X 3-3/4 X 3/8 T621 ROD SEAL W/ EXT RING	3.250	3.750	0.375	\$27.46	EA
3-1/2 X 4-0 X 3/8 T621 ROD SEAL W/ EXT RING	3.500	4.000	0.375	\$27.57	EA
3-1/2 X 4-1/8 X 1/2 T621 ROD SEAL W/ EXT RING	3.500	4.125	0.500	\$30.89	EA
3-1/2 X 4-1/4 X 5/8 T621 ROD SEAL W/ EXT RING	3.500	4.250	0.625	\$36.05	EA
3-3/4 X 4-1/8 X 3/8 T621 ROD SEAL W/ EXT RING	3.750	4.125	0.375	\$35.80	EA
3-3/4 X 4-1/4 X 3/8 T621 ROD SEAL W/ EXT RING	3.750	4.250	0.375	\$35.80	EA
4-0 X 4-1/2 X 3/8 T621 ROD SEAL W/ EXT RING	4.000	4.500	0.375	\$36.89	EA
4-0 X 4-1/2 X 9/16 T621 ROD SEAL W/ EXT RING	4.000	4.500	0.562	\$36.89	EA
4-0 X 4-5/8 X 9/16 T621 ROD SEAL W/ EXT RING	4.000	4.625	0.562	\$41.05	EA
4-0 X 4-3/4 X 5/8 T621 ROD SEAL W/ EXT RING	4.000	4.750	0.625	\$51.19	EA
4-1/2 X 5-0 X 3/8 T621 ROD SEAL W/ EXT RING	4.500	5.000	0.375	\$41.38	EA
4-1/2 X 5-0 X 9/16 T621 ROD SEAL W/ EXT RING	4.500	5.000	0.562	\$41.38	EA
4-1/2 X 5-1/8 X 5/8 T621 ROD SEAL W/ EXT RING	4.500	5.125	0.625	\$44.37	EA

TYPE 621 ROD SEALS W/ANTI-EXTRUSION RING

ITEM DESCRIPTION	I.D.	O.D.	HEIGHT	LIST PRICE	UOM
4-1/2 X 5-1/4 X 5/8 T621 ROD SEAL W/ EXT RING	4.500	5.250	0.625	\$54.95	EA
5-0 X 5-1/2 X 9/16 T621 ROD SEAL W/ EXT RING	5.000	5.500	0.562	\$45.44	EA
5-0 X 5-5/8 X 5/8 T621 ROD SEAL W/ EXT RING	5.000	5.625	0.625	\$49.32	EA
5-0 X 5-3/4 X 5/8 T621 ROD SEAL W/ EXT RING	5.000	5.750	0.625	\$58.89	EA
5-1/2 X 6-0 X 9/16 T621 ROD SEAL W/ EXT RING	5.500	6.000	0.562	\$50.88	EA
5-1/2 X 6-1/8 X 3/8 T621 ROD SEAL W/ EXT RING	5.500	6.125	0.375	\$47.26	EA
6-0 X 6-1/2 X 9/16 T621 ROD SEAL W/ EXT RING	6.000	6.500	0.562	\$54.59	EA
6-0 X 6-3/4 X 5/8 T621 ROD SEAL W/ EXT RING	6.000	6.750	0.625	\$66.58	EA
6-0 X 6-3/4 X 11/16 T621 ROD SEAL W/ EXT RING	6.000	6.750	0.687	\$38.28	EA
7-0 X 7-3/4 X 5/8 T621 ROD SEAL W/ EXT RING	7.000	7.750	0.625	\$90.38	EA
7-0 X 7-3/4 X 9/16 T621 ROD SEAL W/ EXT RING	7.000	7.750	0.562	\$90.38	EA
8-0 X 8-3/4 X 5/8 T621 ROD SEAL W/ EXT RING	8.000	8.750	0.625	\$110.12	EA
8-1/2 X 9-1/4 X 5/8 T621 ROD SEAL W/ EXT RING	8.500	9.250	0.625	\$185.85	EA
10 X 10 3/4 X 5/8 T621 ROD SEAL W/ EXT RING	10.000	10.750	0.625	\$185.45	EA
12 X 12.750 X 5/8 T621 ROD SEAL W/ EXT RING	12.000	12.750	0.625	\$252.90	EA

Thank you for your business!

FLUOROCARBON POLY PACKS



FLUOROCARBON POLY PACKS

ITEM DESCRIPTION	SIZE	DIMENSIONS			LIST PRICE	UOM
		I.D.	O.D.	HGT.		
1250-0187 POLY	3/16 X 7/16 X 1/8	0.188	0.438	0.125	\$10.99	EA
1250-0250 POLY	1/4 X 1/2 X 1/8	0.250	0.500	0.125	\$22.29	EA
1870-0250 POLY	1/4 X 5/8 X 3/16	0.250	0.625	0.187	\$22.29	EA
1250-0313-250 B POLY	5/16 X 9/16 X 1/4 B	0.313	0.563	0.250	\$24.26	EA
1250-0375 POLY	3/8 X 5/8 X 1/8	0.375	0.625	0.125	\$22.29	EA
1250-0375-250 B POLY	3/8 X 5/8 X 1/4 B	0.375	0.625	0.250	\$24.74	EA
1870-0375-312 DEEP POLY	3/8 X 3/4 X 5/16 DB	0.375	0.750	0.313	\$22.43	EA
1250-0500 POLY	1/2 X 3/4 X 1/8	0.500	0.750	0.125	\$22.29	EA
1250-0500-250 B-LIP POLY	1/2 X 3/4 X 1/4 B	0.500	0.750	0.250	\$26.80	EA
1870-0500 POLY	1/2 X 7/8 X 3/16	0.500	0.875	0.187	\$27.19	EA
1250-0562 POLY	9/16 X 13/16 X 1/8	0.563	0.813	0.125	\$23.69	EA
1870-0562 POLY	9/16 X 15/16 X 3/16	0.563	0.938	0.187	\$22.60	EA
1250-0625 POLY	5/8 X 7/8 X 1/8	0.625	0.875	0.125	\$22.29	EA
1250-0625-187 B-LIP PO	5/8 x 7/8 X 3/16	0.625	0.875	0.187	\$25.55	EA
1250-0625-250 B POLY	5/8 X 7/8 X 1/4 B	0.625	0.875	0.250	\$25.55	EA
2500-0625 POLY	5/8 X 1-1/8 X 1/4	0.625	1.125	0.250	\$25.90	EA
1250-0750 POLY	3/4 X 1-0 X 1/8	0.750	1.000	0.125	\$25.90	EA
1250-0750-250 B POLY	3/4 X 1-0 X 1/4 B	0.750	1.000	0.250	\$26.49	EA
1870-0750-250 POLY	3/4 X 1-1/8 X 1/4	0.750	1.125	0.250	\$26.49	EA
2500-0750 POLY	3/4 X 1-1/4 X 1/4	0.750	1.250	0.250	\$26.49	EA
1870-0875-312 DEEP POLY	7/8 X 1-1/4 X 5/16 DB	0.875	1.250	0.312	\$38.42	EA
1250-1000 POLY	1-0 X 1-1/4 X 1/8	1.000	1.250	0.125	\$25.86	EA
1250-1000-250 B POLY	1-0 X 1-1/4 X 1/4 B	1.000	1.250	0.250	\$31.51	EA
1560-1000 POLY	1-0 X 1-5/16 X 5/32	1.000	1.312	0.156	\$31.08	EA
1560-1000-230 POLY	1-0 X 1-5/16 X 15/64	1.000	1.312	0.156	\$42.60	EA
1870-1000 POLY	1-0 X 1-3/8 X 3/16	1.000	1.375	0.187	\$34.93	EA
1870-1000-313 B POLY	1-0 X 1-3/8 X 5/16 B	1.000	1.375	0.312	\$34.93	EA
2500-1000 POLY	1-0 X 1-1/2 X 1/4	1.000	1.500	0.250	\$30.84	EA
2500-1000-375 B POLY	1-0 X 1-1/2 X 3/8 B	1.000	1.500	0.375	\$35.88	EA
1870-1063-313 B POLY	1-1/16 X 1-7/16 X 5/16 B	1.063	1.438	0.312	\$50.07	EA
1250-1125-250 POLY	1-1/8 X 1-3/8 X 1/4	1.125	1.375	0.250	\$34.59	EA
1870-1125 POLY	1-1/8 X 1-1/2 X 3/16	1.125	1.500	0.187	\$33.36	EA
1870-1125-312 POLY	1-1/8 X 1-1/2 X 5/16	1.125	1.500	0.312	\$38.85	EA
1560-1187 POLY	1-3/16 X 1-1/2 X 5/32	1.187	1.500	0.156	\$30.85	EA

FLUOROCARBON POLY PACKS

ITEM DESCRIPTION	SIZE	DIMENSIONS			LIST PRICE	UOM
		I.D.	O.D.	HGT.		
1250-1250 POLY	1-1/4 X 1-1/2 X 1/8	1.250	1.500	0.125	\$30.44	EA
1250-1250-250 POLY	1-1/4 X 1-1/2 X 1/4	1.250	1.500	0.250	\$37.73	EA
1560-1250 POLY	1-1/4 X 1-9/16 X 5/32	1.250	1.562	0.156	\$37.73	EA
1870-1250 POLY	1-1/4 X 1-5/8 X 3/16	1.250	1.625	0.187	\$31.23	EA
1870-1250-312 B POLY	1-1/4 X 1-5/8 X 5/16 B	1.250	1.625	0.312	\$32.91	EA
2500-1250 POLY	1-1/4 X 1-3/4 X 1/4	1.250	1.750	0.250	\$33.64	EA
2500-1250-375 B POLY	1-1/4 X 1-3/4 X 3/8 B	1.250	1.750	0.375	\$34.41	EA
1250-1375 POLY	1-3/8 X 1-5/8 X 1/8	1.375	1.625	0.125	\$27.53	EA
1250-1375-250 POLY	1-3/8 X 1-5/8 X 1/4	1.375	1.625	0.250	\$41.18	EA
1560-1375 POLY	1-3/8 X 1-11/16 X 5/32	1.375	1.687	0.156	\$66.29	EA
1870-1375 POLY	1-3/8 X 1-3/4 X 3/16	1.375	1.750	0.187	\$34.09	EA
1870-1375-250 POLY	1-3/8 X 1-3/4 X 1/4	1.375	1.750	0.250	\$36.28	EA
1870-1375-312 B POLY	1-3/8 X 1-3/4 X 5/16 B	1.375	1.750	0.312	\$34.54	EA
2500-1375-375 B POLY	1-3/8 X 1-7/8 X 3/8 B	1.375	1.875	0.375	\$37.21	EA
1250-1437 POLY	1-7/16 X 1-11/16 X 1/8	1.438	1.688	0.125	\$38.13	EA
1870-1500 POLY	1-1/2 X 1-7/8 X 3/16	1.500	1.875	0.187	\$34.43	EA
1870-1500-250 POLY	1-1/2 X 1-7/8 X 1/4	1.500	1.875	0.250	\$40.09	EA
1870-1500-375 B POLY	1-1/2 X 1-7/8 X 3/8 B	1.500	1.875	0.375	\$35.24	EA
2500-1500 POLY	1-1/2 X 2-0 X 1/4	1.500	2.000	0.250	\$39.81	EA
2500-1500-375 B POLY	1-1/2 X 2-0 X 3/8 B	1.500	2.000	0.375	\$46.14	EA
1870-1625 POLY	1-5/8 X 2-0 X 3/16	1.625	2.000	0.187	\$34.79	EA
1870-1625-375 POLY	1-5/8 X 2-0 X 3/8	1.625	2.000	0.375	\$43.48	EA
1870-1750 POLY	1-3/4 X 2-1/8 X 3/16	1.750	2.125	0.187	\$36.58	EA
1870-1750-250 B POLY	1-3/4 X 2-1/8 X 1/4 B	1.750	2.125	0.250	\$43.06	EA
1870-1750-312 B POLY	1-3/4 X 2-1/8 X 5/16 B	1.750	2.125	0.312	\$43.06	EA
1870-1750-375 B POLY	1-3/4 X 2-1/8 X 3/8 B	1.750	2.125	0.375	\$43.06	EA
2500-1750 POLY	1-3/4 X 2-1/4 X 1/4	1.750	2.250	0.250	\$40.13	EA
2500-1750-375 B POLY	1-3/4 X 2-1/4 X 3/8 B	1.750	2.250	0.375	\$44.57	EA
3120-1750 POLY	1-3/4 X 2-3/8 X 5/16	1.750	2.375	0.312	\$50.08	EA
3750-1750 POLY	1-3/4 X 2-1/2 X 3/8	1.750	2.500	0.375	\$51.36	EA
1870-2000 POLY	2-0 X 2-3/8 X 3/16	2.000	2.375	0.187	\$35.27	EA
1870-2000-312 B POLY	2-0 X 2-3/8 X 5/16 B	2.000	2.375	0.312	\$42.50	EA
1870-2000-375 B POLY	2-0 X 2-3/8 X 3/8 B	2.000	2.375	0.375	\$44.31	EA
2500-2000 POLY	2-0 X 2-1/2 X 1/4	2.000	2.500	0.250	\$44.57	EA
2500-2000-375 POLY	2-0 X 2-1/2 X 3/8	2.000	2.500	0.375	\$50.95	EA
2810-2000-562 B POLY	2-0 X 2-5/8 X 9/16 B	2.000	2.625	0.562	\$78.89	EA
3120-2000-500 B POLY	2-0 X 2-5/8 X 1/2 B	2.000	2.625	0.500	\$58.67	EA
3750-2000 POLY	2-0 X 2-3/4 X 3/8	2.000	2.750	0.375	\$75.80	EA
1870-2125 POLY	2-1/8 X 2-1/2 X 3/16	2.125	2.500	0.187	\$36.40	EA
1870-2125-375 B POLY	2-1/8 X 2-1/2 X 3/8 B	2.125	2.500	0.375	\$46.00	EA
1870-2250-375 B POLY	2-1/4 X 2-5/8 X 3/8 B	2.250	2.625	0.375	\$66.52	EA
2500-2250-375 B POLY	2-1/4 X 2-3/4 X 3/8 B	2.250	2.750	0.375	\$66.52	EA
1870-2375 POLY	2-3/8 X 2-3/4 X 3/16	2.375	2.750	0.187	\$38.69	EA
2.375 X 2.875 X .375 POLY	2-3/8 X 2-7/8 X 3/8	2.375	2.875	0.375	\$36.34	EA
1870-2500 POLY	2-1/2 X 2-7/8 X 3/16	2.500	2.875	0.187	\$42.19	EA

FLUOROCARBON POLY PACKS

ITEM DESCRIPTION	SIZE	DIMENSIONS			LIST PRICE	UOM
		I.D.	O.D.	HGT.		
1870-2500-250 B POLY	2-1/2 X 2-7/8 X 1/4 B	2.500	2.875	0.250	\$42.19	EA
1870-2500-375 B POLY	2-1/2 X 2-7/8 X 3/8 B	2.500	2.875	0.375	\$53.52	EA
2500-2500 POLY	2-1/2 X 3-0 X 1/4	2.500	3.000	0.250	\$65.29	EA
2500-2500-375 B POLY	2-1/2 X 3-0 X 3/8 B	2.500	3.000	0.375	\$60.09	EA
3120-2500-500 B POLY	2-1/2 X 3-1/8 X 1/2 B	2.500	3.125	0.500	\$97.85	EA
3750-2500-625 POLY	2-1/2 X 3-1/4 X 5/8	2.500	3.250	0.625	\$110.68	EA
1870-2625 POLY	2-5/8 X 3-0 X 3/16	2.625	3.000	0.187	\$41.99	EA
1870-2625-375 POLY	2-5/8 X 3-0 X 3/8	2.625	3.000	0.375	\$64.42	EA
2500-2750 POLY	2-3/4 X 3-1/4 X 1/4	2.750	3.250	0.250	\$58.31	EA
2500-2750-375 B POLY	2-3/4 X 3-1/4 X 3/8 B	2.750	3.250	0.375	\$65.67	EA
3750-2750 POLY	2-3/4 X 3-1/2 X 3/8	2.750	3.500	0.375	\$95.97	EA
3750-2750-625 B POLY	2-3/4 X 3-1/2 X 5/8 B	2.750	3.500	0.625	\$111.07	EA
1870-2875-375 B POLY	2-7/8 X 3-1/4 X 3/8 B	2.875	3.250	0.375	\$57.82	EA
1250-3000-250 B POLY	3-0 X 3-1/4 X 1/4 B	3.000	3.250	0.250	\$59.57	EA
1870-3000 POLY	3-0 X 3-3/8 X 3/16	3.000	3.375	0.187	\$60.27	EA
1870-3000-375 B POLY	3-0 X 3-3/8 X 3/8 B	3.000	3.375	0.375	\$68.02	EA
2500-3000 POLY	3-0 X 3-1/2 X 1/4	3.000	3.500	0.250	\$68.26	EA
2500-3000-375 B POLY	3-0 X 3-1/2 X 3/8 B	3.000	3.500	0.375	\$71.35	EA
3120-3000-500 POLY	3-0 X 3-5/8 X 1/2	3.000	3.625	0.500	\$85.92	EA
3750-3000 POLY	3-0 X 3-3/4 X 3/8	3.000	3.750	0.375	\$104.59	EA
3750-3000-625 B POLY	3-0 X 3-3/4 X 5/8 B	3.000	3.750	0.625	\$115.22	EA
1870-3125-375 B-LIP PO	2-1/8 X 2-1/2 X 3/8	3.125	3.500	0.375	\$105.29	EA
2500-3250 POLY	3-1/4 X 3-3/4 X 1/4	3.250	3.750	0.250	\$105.29	EA
3120-3250-625 POLY	3-1/4 X 3-7/8 X 5/8	3.250	3.875	0.625	\$105.29	EA
3750-3250 POLY	3-1/4 X 4-0 X 3/8	3.250	4.000	0.375	\$110.90	EA
3750-3250-500 POLY/FL	3-1/4 X 4 X 1/2	3.250	4.000	0.500	\$257.77	EA
3750-3250-625 POLY	3-1/4 X 4-0 X 5/8	3.250	4.000	0.625	\$121.11	EA
2500-3375-375 B POLY	3-3/8 X 3-7/8 X 3/8 B	3.375	3.875	0.375	\$74.01	EA
3120-3375 POLY	3-3/8 X 4-0 X 5/16	3.375	4.000	0.312	\$89.82	EA
3120-3375-500 POLY	3-3/8 X 4-0 X 1/2	3.375	4.000	0.500	\$106.51	EA
3750-3375 POLY	3-3/8 X 4-1/8 X 3/8	3.375	4.125	0.375	\$126.71	EA
2500-3500 POLY	3-1/2 X 4-0 X 1/4	3.500	4.000	0.250	\$75.59	EA
2500-3500-338 B POLY	3-1/2 X 4-0 X 11/32 B	3.500	4.000	0.338	\$81.86	EA
2500-3500-375 B POLY	3-1/2 X 4-0 X 3/8 B	3.500	4.000	0.375	\$81.89	EA
3750-3500-625 B POLY	3-1/2 X 4-1/4 X 5/8 B	3.500	4.250	0.625	\$131.49	EA
2500-4000 POLY	4-0 X 4-1/2 X 1/4	4.000	4.500	0.250	\$85.00	EA
2500-4000-375 POLY	4-0 X 4-1/2 X 3/8	4.000	4.500	0.375	\$107.65	EA
2500-4000-562 POLY	4-0 X 4-1/2 X 9/16	4.000	4.500	0.562	\$107.65	EA
3750-4000 POLY	4-0 X 4-3/4 X 3/8	4.000	4.750	0.375	\$112.36	EA
3750-4000-625 B POLY	4-0 X 4-3/4 X 5/8	4.000	4.750	0.625	\$148.24	EA
5000-4000 POLY	4-0 X 5-0 X 1/2	4.000	5.000	0.500	\$151.99	EA
2500-4250 POLY	4-1/4 X 4-3/4 X 1/4	4.250	4.750	0.250	\$89.75	EA
2500-4250-375 B POLY	4-1/4 X 4-3/4 X 3/8 B	4.250	4.750	0.375	\$98.34	EA
3120-4250-563 B POLY	4-1/4 X 4-7/8 X 9/16 B	4.250	4.875	0.563	\$105.35	EA
3750-4250 POLY	4-1/4 X 5-0 X 3/8	4.250	5.000	0.375	\$141.70	EA

FLUOROCARBON POLY PACKS

ITEM DESCRIPTION	SIZE	DIMENSIONS			LIST PRICE	UOM
		I.D.	O.D.	HGT.		
3750-4250-500 POLY	4-1/4 X 5-0 X 1/2	4.250	5.000	0.500	\$220.85	EA
3750-4250-625 POLY	4-1/4 X 5-0 X 5/8	4.250	5.000	0.625	\$162.74	EA
3120-4375 POLY	4-3/8 X 5-0 X 5/16	4.375	5.000	0.312	\$107.73	EA
2500-4500 POLY	4-1/2 X 5-0 X 1/4	4.500	5.000	0.250	\$90.16	EA
2500-4500-375 B POLY	4-1/2 X 5-0 X 3/8 B	4.500	5.000	0.375	\$91.59	EA
2500-4500-500 POLY	4-1/2 X 5-0 X 1/2	4.500	5.000	0.500	\$98.09	EA
2500-4500-562 POLY	4-1/2 X 5-0 X 9/16	4.500	5.000	0.562	\$98.12	EA
3750-4500 POLY	4-1/2 X 5-1/4 X 3/8	4.500	5.250	0.375	\$116.76	EA
3750-4500-500 POLY	4-1/2 X 5-1/4 X 1/2	4.500	5.250	0.500	\$367.07	EA
3750-4500-625 POLY	4-1/2 X 5-1/4 X 5/8	4.500	5.250	0.625	\$108.49	EA
1870-4625 POLY	4-5/8 X 5-0 X 3/16	4.625	5.000	0.187	\$123.60	EA
3750-4750-625 DEEP POLY	4-3/4 X 5-1/2 X 5/8 DB	4.750	5.500	0.625	\$172.49	EA
5620-4750-500 POLY	4-3/4 X 5-7/8 X 1/2	4.750	5.875	0.500	\$258.33	EA
2500-5000 POLY	5-0 X 5-1/2 X 1/4	5.000	5.500	0.250	\$99.24	EA
2500-5000-375 B POLY	5-0 X 5-1/2 X 3/8 B	5.000	5.500	0.375	\$129.12	EA
2500-5000-562 POLY	5-0 X 5-1/2 X 9/16	5.000	5.500	0.562	\$152.35	EA
3120-5000 POLY	5-0 X 5-5/8 X 5/16	5.000	5.625	0.312	\$157.66	EA
3750-5000-625 B POLY	5-0 X 5-3/4 X 5/8 B	5.000	5.750	0.625	\$178.29	EA
5000-5000 POLY	5-0 X 6-0 X 1/2	5.000	6.000	0.500	\$192.03	EA
5000-5000-750 B POLY	5-0 X 6-0 X 3/4 B	5.000	6.000	0.750	\$206.05	EA
3750-5250 POLY	5-1/4 X 6-0 X 3/8	5.250	6.000	0.375	\$172.35	EA
3750-5250-625 B POLY	5-1/4 X 6-0 X 5/8 B	5.250	6.000	0.625	\$195.16	EA
3120-5375 POLY	5-3/8 X 6-0 X 5/16	5.375	6.000	0.313	\$149.27	EA
2500-5500 POLY	5-1/2 X 6-0 X 1/4	5.500	6.000	0.250	\$124.45	EA
2500-5500-375 B POLY	5-1/2 X 6-0 X 3/8 B	5.500	6.000	0.375	\$112.70	EA
2500-5500-562 DEEP POLY	5-1/2 X 6-0 X 9/16 DB	5.500	6.000	0.563	\$169.32	EA
3750-5500-625 B POLY	5-1/2 X 6-1/4 X 5/8 B	5.500	6.250	0.625	\$193.10	EA
5000-5500-750 B POLY	5-1/2 X 6-1/2 X 3/4 B	5.500	6.500	0.750	\$257.81	EA
2500-5750 POLY	5-3/4 X 6-1/4 X 1/4	5.750	6.250	0.250	\$147.23	EA
3750-5750-625 POLY	5-3/4 X 6-1/2 X 5/8	5.750	6.500	0.625	\$216.87	EA
3750-5750 POLY	5-3/4 X 6-1/2 X 3/8	5.750	6.500	0.375	\$216.87	EA
2500-6000-375 STD FLU	6 X 6-1/2 X 3/8	6.000	6.500	0.375	\$157.09	EA
2500-6250-375 B POLY	6-1/4 X 6-3/4 X 3/8 B	6.250	6.750	0.375	\$179.14	EA
3750-6250 POLY	6-1/4 X 7-0 X 3/8	6.250	7.000	0.375	\$196.15	EA
3750-6250-500 POLY	6-1/4 X 7-0 X 1/2	6.250	7.000	0.500	\$211.16	EA
3750-6250-625 B POLY	6-1/4 X 7-0 X 5/8 B	6.250	7.000	0.625	\$211.75	EA
3120-6375 FLUORCAR	6-3/8 X 7 X 5/16	6.375	7.000	0.312	\$130.53	EA
2500-6500 POLY/FLUOR	6-1/2 X 7 X 1/4	6.500	7.000	0.250	\$130.53	EA
2500-6500-375 B POLY	6-1/2 X 7-0 X 3/8 B	6.500	7.000	0.375	\$182.30	EA
2500-6500-562 B POLY	6-1/2 X 7-0 X 9/16 B	6.500	7.000	0.562	\$201.67	EA
2500-7000-562 POLY	7 X 7-1/2 X 9/16	7.000	7.500	0.562	\$120.81	EA
5000-7000 POLY	7-0 X 8-0 X 1/2	7.000	8.000	0.500	\$205.09	EA
5000-7000-750 POLY	7-0 X 8-0 X 3/4	7.000	8.000	0.750	\$304.45	EA
3750-7250 POLY	7-1/4 X 8-0 X 3/8	7.250	8.000	0.375	\$220.74	EA
3750-7250-625 B POLY	7-1/4 X 8-0 X 5/8 B	7.250	8.000	0.625	\$257.24	EA

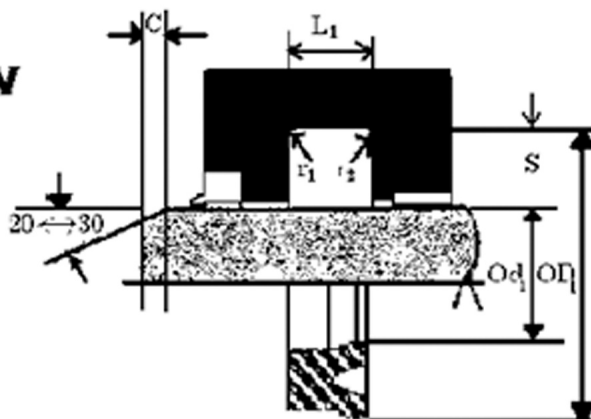
FLUOROCARBON POLY PACKS

ITEM DESCRIPTION	SIZE	DIMENSIONS			LIST PRICE	UOM
		I.D.	O.D.	HGT.		
3120-7375 POLY	7-3/8 X 8-0 X 5/16	7.375	8.000	0.312	\$195.61	EA
2500-7500-375 POLY	7-1/2 X 8-0 X 3/8	7.500	8.000	0.375	\$199.04	EA
2500-7500-562 POLY	7-1/2 X 8-0 X 9/16	7.500	8.000	0.562	\$213.31	EA
3750-7500-625 POLY	7-1/2 X 8-1/4 X 5/8	7.500	8.250	0.625	\$180.40	EA
3750-7750-375 POLY	7-3/4 X 8-1/2 X 3/8	7.750	8.500	0.375	\$198.79	EA
3750-7750-625 POLY	7-3/4 X 8-1/2 X 5/8	7.750	8.500	0.625	\$199.85	EA
3130-7875-625 B POLY	7-7/8 X 8-1/2 X 5/8 B	7.875	8.500	0.625	\$203.02	EA
2500-8000-562 B POLY	8-0 X 8-1/2 X 9/16 B	8.000	8.500	0.562	\$139.94	EA
3750-8000-625 B POLY	8-0 X 8-3/4 X 5/8	8.000	8.750	0.625	\$276.97	EA
3750-9000-625 B POLY	9-0 X 9-3/4 X 5/8 B	9.000	9.750	0.625	\$349.19	EA
5000-9000 / POLY FLUOR	9 X 10 X 1/2	9.000	10.000	0.500	\$341.53	EA
5000-9000 POLY VITON	9-0 X 10-0 X 1/2	9.000	10.000	0.500	\$174.88	EA
3750-9250 POLY	9-1/4 X 10-0 X 3/8	9.250	10.000	0.375	\$272.49	EA
2500-9500-562 POLY	9-1/2 X 10-0 X 9/16	9.500	10.000	0.562	\$250.37	EA

**QUALITY AND
RELIABLE
SERVICE! LOW
SHIPPING COSTS!**

AIR SEALS (HUVA CUPS)

CROSS-SECTION



HUVA CUPS

ITEM DESCRIPTION	DIMENSIONS			LIST PRICE	UOM
	I.D.	O.D.	HGT.		
RU06- 012 HUVA CUPS	0.125	0.250	0.062	\$2.56	EA
RU06- 015 HUVA CUPS	0.156	0.281	0.062	\$2.56	EA
RU06- 018 HUVA CUPS	0.187	0.312	0.062	\$2.56	EA
RU06- 025 HUVA CUPS	0.250	0.375	0.062	\$2.56	EA
RU06- 031 HUVA CUPS	0.312	0.437	0.062	\$2.56	EA
RU06- 037 HUVA CUPS	0.375	0.500	0.062	\$2.56	EA
RU09- 012 HUVA CUPS	0.125	0.312	0.093	\$2.56	EA
RU09- 015 HUVA CUPS	0.156	0.343	0.093	\$2.56	EA
RU09- 018 HUVA CUPS	0.187	0.375	0.093	\$2.56	EA
RU09- 021 HUVA CUPS	0.218	0.406	0.093	\$2.56	EA
RU09- 025 HUVA CUPS	0.250	0.437	0.093	\$2.56	EA
RU09- 031 HUVA CUPS	0.312	0.500	0.093	\$2.56	EA
RU09- 037 HUVA CUPS	0.375	0.562	0.093	\$2.56	EA
RU09- 043 HUVA CUPS	0.437	0.625	0.093	\$2.56	EA
RU09- 050 HUVA CUPS	0.500	0.687	0.093	\$2.56	EA
RU09- 056 HUVA CUPS	0.562	0.750	0.093	\$2.56	EA
RU09- 062 HUVA CUPS	0.625	0.812	0.093	\$2.56	EA
RU09- 068 HUVA CUPS	0.687	0.875	0.093	\$2.56	EA
RU09- 075 HUVA CUPS	0.750	0.937	0.093	\$2.72	EA
RU09- 081 HUVA CUPS	0.812	1.000	0.093	\$2.84	EA
RU09- 162 HUVA CUPS	1.625	1.812	0.093	\$6.13	EA
RU12- 025 HUVA CUPS	0.250	0.500	0.125	\$2.56	EA
RU12- 031 HUVA CUPS	0.312	0.562	0.125	\$2.56	EA
RU12- 037 HUVA CUPS	0.375	0.625	0.125	\$2.56	EA
RU12- 043 HUVA CUPS	0.437	0.687	0.125	\$2.56	EA
RU12- 050 HUVA CUPS	0.500	0.750	0.125	\$2.56	EA
RU12- 056 HUVA CUPS	0.562	0.812	0.125	\$2.61	EA
RU12- 062 HUVA CUPS	0.625	0.875	0.125	\$2.64	EA
RU12- 068 HUVA CUPS	0.687	0.937	0.125	\$2.72	EA
RU12- 075 HUVA CUPS	0.750	1.000	0.125	\$2.76	EA

HUVA CUPS

ITEM DESCRIPTION	DIMENSIONS			LIST PRICE	UOM
	I.D.	O.D.	HGT.		
RU12- 081 HUVA CUPS	0.812	1.062	0.125	\$2.76	EA
RU12- 087 HUVA CUPS	0.875	1.125	0.125	\$2.76	EA
RU12- 100 HUVA CUPS	1.000	1.250	0.125	\$3.00	EA
RU12- 112 HUVA CUPS	1.125	1.375	0.125	\$2.95	EA
RU12- 125 HUVA CUPS	1.250	1.500	0.125	\$2.95	EA
RU12- 137 HUVA CUPS	1.375	1.625	0.125	\$3.07	EA
RU12- 150 HUVA CUPS	1.500	1.750	0.125	\$3.18	EA
RU12- 175 HUVA CUPS	1.750	2.000	0.125	\$3.41	EA
RU12- 200 HUVA CUPS	2.000	2.250	0.125	\$3.57	EA
RU15- 093 HUVA CUPS	0.937	1.250	0.156	\$2.87	EA
RU15- 100 HUVA CUPS	1.000	1.312	0.156	\$2.87	EA
RU15- 106 HUVA CUPS	1.062	1.375	0.156	\$2.95	EA
RU15- 118 HUVA CUPS	1.187	1.500	0.156	\$2.99	EA
RU15- 125 HUVA CUPS	1.250	1.562	0.156	\$3.07	EA
RU15- 131 HUVA CUPS	1.312	1.625	0.156	\$3.07	EA
RU15- 137 HUVA CUPS	1.375	1.687	0.156	\$3.10	EA
RU15- 143 HUVA CUPS	1.437	1.750	0.156	\$3.15	EA
RU15- 175 HUVA CUPS	1.750	2.062	0.156	\$4.16	EA
RU15- 181 HUVA CUPS	1.812	2.125	0.156	\$4.16	EA
RU15- 193 HUVA CUPS	1.937	2.250	0.156	\$4.00	EA
RU18- 062 HUVA CUPS	0.625	1.000	0.187	\$2.87	EA
RU18- 068 HUVA CUPS	0.687	1.062	0.187	\$2.87	EA
RU18- 075 HUVA CUPS	0.750	1.125	0.187	\$2.92	EA
RU18- 100 HUVA CUPS	1.000	1.375	0.187	\$2.99	EA
RU18- 112 HUVA CUPS	1.125	1.500	0.187	\$3.88	EA
RU18- 137 HUVA CUPS	1.375	1.750	0.187	\$3.93	EA
RU18- 150 HUVA CUPS	1.500	1.875	0.187	\$4.03	EA
RU18- 162 HUVA CUPS	1.625	2.000	0.187	\$4.22	EA
RU18- 175 HUVA CUPS	1.750	2.125	0.187	\$4.80	EA
RU18- 187 HUVA CUPS	1.875	2.250	0.187	\$4.34	EA
RU18- 200 HUVA CUPS	2.000	2.375	0.187	\$4.42	EA
RU18- 212 HUVA CUPS	2.125	2.500	0.187	\$8.10	EA
RU18- 225 HUVA CUPS	2.250	2.625	0.187	\$4.65	EA
RU18- 237 HUVA CUPS	2.375	2.750	0.187	\$4.65	EA
RU18- 250 HUVA CUPS	2.500	2.875	0.187	\$4.65	EA
RU18- 262 HUVA CUPS	2.625	3.000	0.187	\$4.65	EA
RU18- 275 HUVA CUPS	2.750	3.125	0.187	\$4.65	EA
RU18- 287 HUVA CUPS	2.875	3.250	0.187	\$4.65	EA
RU18- 300 HUVA CUPS	3.000	3.375	0.187	\$4.65	EA
RU18- 312 HUVA CUPS	3.125	3.500	0.187	\$4.65	EA
RU18- 337 HUVA CUPS	3.375	3.750	0.187	\$4.70	EA
RU18- 350 HUVA CUPS	3.500	3.875	0.187	\$4.96	EA
RU18- 362 HUVA CUPS	3.625	4.000	0.187	\$5.20	EA

HUVA CUPS

ITEM DESCRIPTION	DIMENSIONS			LIST PRICE	UOM
	I.D.	O.D.	HGT.		
<i>RU21- 125 HUVA CUPS</i>	1.250	1.687	0.218	\$8.75	EA
<i>RU21- 193 HUVA CUPS</i>	1.937	2.375	0.218	\$5.20	EA
<i>RU21- 250 HUVA CUPS</i>	2.500	2.937	0.218	\$5.66	EA
<i>RU21- 256 HUVA CUPS</i>	2.562	3.000	0.218	\$5.86	EA
<i>RU21- 275 HUVA CUPS</i>	2.750	3.187	0.218	\$5.86	EA
<i>RU21- 281 HUVA CUPS</i>	2.812	3.250	0.218	\$8.15	EA
<i>RU21- 281 HUVA CUPS</i>	2.812	3.250	0.218	\$54.00	EA
<i>RU21- 300 HUVA CUPS</i>	3.000	3.437	0.218	\$7.05	EA
<i>RU21- 306 HUVA CUPS</i>	3.062	3.500	0.218	\$6.28	EA
<i>RU21- 331 HUVA CUPS</i>	3.312	3.750	0.218	\$7.21	EA
<i>RU21- 356 HUVA CUPS</i>	3.562	4.000	0.218	\$7.21	EA
<i>RU25- 068 HUVA CUPS</i>	0.687	1.250	0.250	\$8.75	EA
<i>RU25- 100 HUVA CUPS</i>	1.000	1.500	0.250	\$5.20	EA
<i>RU25- 137 HUVA CUPS</i>	1.375	1.875	0.250	\$5.20	EA
<i>RU25- 150 HUVA CUPS</i>	1.500	2.000	0.250	\$5.20	EA
<i>RU25- 162 HUVA CUPS</i>	1.625	2.125	0.250	\$5.20	EA
<i>RU25- 175 HUVA CUPS</i>	1.750	2.250	0.250	\$5.20	EA
<i>RU25- 187 HUVA CUPS</i>	1.875	2.375	0.250	\$3.65	EA
<i>RU25- 200 HUVA CUPS</i>	2.000	2.500	0.250	\$5.27	EA
<i>RU25- 250 HUVA CUPS</i>	2.500	3.000	0.250	\$5.66	EA
<i>RU25- 275 HUVA CUPS</i>	2.750	3.250	0.250	\$6.05	EA
<i>RU25- 275-37 HUVA CUPS</i>	2.750	3.250	0.375	\$19.73	EA
<i>RU25- 300 HUVA CUPS</i>	3.000	3.500	0.250	\$6.10	EA
<i>RU25- 350 HUVA CUPS</i>	3.500	4.000	0.250	\$7.48	EA
<i>RU25- 350-37 HUVA CUPS</i>	3.500	4.000	0.375	\$6.52	EA
<i>RU25- 375 HUVA CUPS</i>	3.750	4.250	0.250	\$6.75	EA
<i>RU25- 400 HUVA CUPS</i>	4.000	4.500	0.250	\$6.98	EA
<i>RU25- 425 HUVA CUPS</i>	4.250	4.750	0.250	\$7.21	EA
<i>RU25- 437 HUVA CUPS</i>	4.375	4.875	0.250	\$7.68	EA
<i>RU25- 450 HUVA CUPS</i>	4.500	5.000	0.250	\$7.68	EA
<i>RU25- 450-37 HUVA CUPS</i>	4.500	5.000	0.375	\$65.85	EA
<i>RU25- 475 HUVA CUPS</i>	4.750	5.250	0.250	\$7.57	EA
<i>RU25- 500 HUVA CUPS</i>	5.000	5.500	0.250	\$8.50	EA
<i>RU25- 550 HUVA CUPS</i>	5.500	6.000	0.250	\$8.50	EA
<i>RU25- 550-37 HUVA CUPS</i>	5.500	6.000	0.375	\$27.15	EA
<i>RU25- 750 HUVA CUPS</i>	7.500	8.000	0.250	\$28.70	EA
<i>RU25- 750-37 HUVA CUPS</i>	7.500	8.000	0.375	\$28.70	EA
<i>RU28- 443 HUVA CUPS</i>	4.437	5.000	0.281	\$7.57	EA
<i>RU28- 500 HUVA CUPS</i>	5.000	5.562	0.281	\$7.80	EA
<i>RU28- 543 HUVA CUPS</i>	5.437	6.000	0.281	\$12.41	EA
<i>RU28- 593 HUVA CUPS</i>	5.937	6.500	0.281	\$12.41	EA
<i>RU28- 643 HUVA CUPS</i>	6.437	7.000	0.281	\$12.41	EA

HUVA CUPS

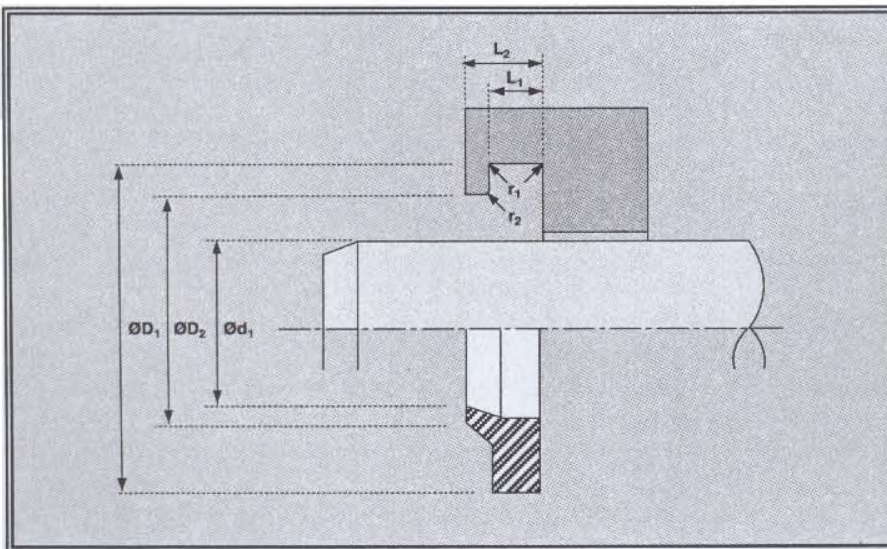
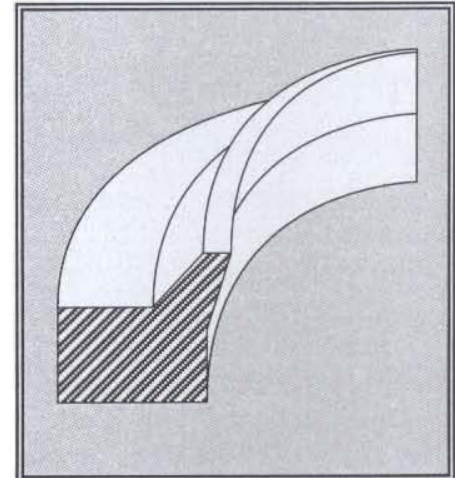
ITEM DESCRIPTION	DIMENSIONS			LIST PRICE	UOM
	I.D.	O.D.	HGT.		
<i>RU28- 743 HUVA CUPS</i>	7.437	8.000	0.281	\$25.08	EA
<i>RU31- 512 HUVA CUPS</i>	5.125	5.750	0.312	\$8.04	EA
<i>RU31- 537 HUVA CUPS</i>	5.375	6.000	0.312	\$21.55	EA
<i>RU31- 550 HUVA CUPS</i>	5.500	6.125	0.312	\$10.86	EA
<i>RU31- 600 HUVA CUPS</i>	6.000	6.625	0.312	\$10.86	EA
<i>RU31- 637 HUVA CUPS</i>	6.375	7.000	0.312	\$18.93	EA
<i>RU31- 696 HUVA CUPS</i>	6.969	7.593	0.312	\$20.17	EA
<i>RU31- 737 HUVA CUPS</i>	7.375	8.000	0.312	\$25.09	EA
<i>RU34- 831 HUVA CUPS</i>	8.312	9.000	0.343	\$25.96	EA
<i>RU34- 931 HUVA CUPS</i>	9.312	10.000	0.343	\$48.95	EA
<i>RU37- 225 HUVA CUPS</i>	2.250	3.000	0.375	\$21.61	EA
<i>RU37- 325 HUVA CUPS</i>	3.250	4.000	0.375	\$23.02	EA
<i>RU37- 425 HUVA CUPS</i>	4.250	5.000	0.375	\$23.95	EA
<i>RU37- 1125 HUVA CUPS</i>	11.250	12.000	0.375	\$40.34	EA
<i>RU37- 1318 HUVA CUPS</i>	13.187	14.000	0.375	\$59.58	EA
<i>RU40- 1218 HUVA CUPS</i>	12.187	13.000	0.406	\$59.58	EA
<i>RU43- 5125 HUVA CUPS</i>	5.125	6.000	0.437	\$59.58	EA
<i>RU50- 1100 HUVA CUPS</i>	11.000	12.000	0.500	\$48.03	EA
<i>RU50- 1300 HUVA CUPS</i>	13.000	14.000	0.500	\$70.90	EA
<i>6226- 01 - 70 BN HUVA CUPS</i>	0.125	0.500	0.187	\$1.71	EA
<i>6226- 02 - 70 BN HUVA CUPS</i>	0.187	0.562	0.187	\$1.71	EA
<i>6226- 03 - 70 BN HUVA CUPS</i>	0.250	0.625	0.187	\$1.78	EA
<i>6226- 04 - 70 BN HUVA CUPS</i>	0.312	0.687	0.187	\$1.78	EA
<i>6226- 05 - 70 BN HUVA CUPS</i>	0.375	0.750	0.187	\$1.78	EA
<i>6226- 06 - 70 BN HUVA CUPS</i>	0.437	0.812	0.187	\$1.95	EA
<i>6226- 07 - 70 BN HUVA CUPS</i>	0.500	0.875	0.187	\$2.06	EA
<i>6226- 08 - 70 BN HUVA CUPS</i>	0.250	0.750	0.250	\$2.17	EA
<i>6226- 09 - 70 BN HUVA CUPS</i>	0.312	0.812	0.250	\$2.17	EA
<i>6226- 10 - 70 BN HUVA CUPS</i>	0.375	0.875	0.250	\$2.34	EA
<i>6226- 11 - 70 BN HUVA CUPS</i>	0.437	0.937	0.250	\$2.34	EA
<i>6226- 12 - 70 BN HUVA CUPS</i>	0.500	1.000	0.250	\$2.34	EA
<i>6226- 13 - 70 BN HUVA CUPS</i>	0.562	1.062	0.250	\$2.34	EA
<i>6226- 14 - 70 BN HUVA CUPS</i>	0.625	1.125	0.250	\$2.34	EA
<i>6226- 15 - 70 BN HUVA CUPS</i>	0.687	1.187	0.250	\$2.34	EA
<i>6226- 16 - 70 BN HUVA CUPS</i>	0.750	1.250	0.250	\$2.48	EA
<i>6226- 17 - 70 BN HUVA CUPS</i>	0.812	1.312	0.250	\$2.48	EA
<i>6226- 18 - 70 BN HUVA CUPS</i>	0.875	1.375	0.250	\$2.48	EA
<i>6226- 19 - 70 BN HUVA CUPS</i>	0.937	1.437	0.250	\$2.48	EA
<i>6226- 20 - 70 BN HUVA CUPS</i>	1.000	1.500	0.250	\$2.54	EA
<i>6226- 21 - 70 BN HUVA CUPS</i>	1.062	1.562	0.250	\$2.65	EA
<i>6226- 22 - 70 BN HUVA CUPS</i>	1.125	1.625	0.250	\$2.65	EA
<i>6226- 23 - 70 BN HUVA CUPS</i>	1.187	1.687	0.250	\$2.65	EA
<i>6226- 24 - 70 BN HUVA CUPS</i>	1.250	1.750	0.250	\$2.65	EA

HUVA CUPS					
ITEM DESCRIPTION	DIMENSIONS			LIST PRICE	UOM
	I.D.	O.D.	HGT.		
6226- 25 - 70 BN HUVA CUPS	1.250	1.875	0.312	\$2.87	EA
6226- 26 - 70 BN HUVA CUPS	1.375	2.000	0.312	\$3.07	EA
6226- 27 - 70 BN HUVA CUPS	1.500	2.125	0.312	\$3.15	EA
6226- 28 - 70 BN HUVA CUPS	1.625	2.250	0.312	\$3.18	EA
6226- 29 - 70 BN HUVA CUPS	1.750	2.375	0.312	\$3.24	EA
6226- 30 - 70 BN HUVA CUPS	1.875	2.500	0.312	\$4.05	EA
6226- 31 - 70 BN HUVA CUPS	2.000	2.625	0.312	\$4.05	EA
6226- 32 - 70 BN HUVA CUPS	2.125	2.750	0.312	\$4.05	EA
6226- 33 - 70 BN HUVA CUPS	2.250	2.875	0.312	\$4.11	EA
6226- 34 - 70 BN HUVA CUPS	2.375	3.000	0.312	\$5.60	EA
6226- 35 - 70 BN HUVA CUPS	2.500	3.125	0.312	\$4.65	EA
6226- 36 - 70 BN HUVA CUPS	2.500	3.250	0.375	\$4.65	EA
6226- 37 - 70 BN HUVA CUPS	2.625	3.375	0.375	\$4.65	EA
6226- 38 - 70 BN HUVA CUPS	2.750	3.500	0.375	\$4.65	EA
6226- 39 - 70 BN HUVA CUPS	2.875	3.625	0.375	\$4.65	EA
6226- 40 - 70 BN HUVA CUPS	3.000	3.750	0.375	\$4.69	EA
6226- 41 - 70 BN HUVA CUPS	0.125	0.375	0.125	\$1.71	EA
6226- 42 - 70 BN HUVA CUPS	0.187	0.437	0.125	\$1.71	EA
6226- 43 - 70 BN HUVA CUPS	0.250	0.500	0.125	\$1.71	EA
6226- 44 - 70 BN HUVA CUPS	0.312	0.562	0.125	\$2.14	EA
6226- 45 - 70 BN HUVA CUPS	0.375	0.625	0.125	\$2.17	EA
6226- 46 - 70 BN HUVA CUPS	0.437	0.687	0.125	\$2.30	EA
6226- 47 - 70 BN HUVA CUPS	0.500	0.750	0.125	\$2.30	EA
6226- 48 - 70 BN HUVA CUPS	0.625	1.000	0.187	\$2.34	EA
6226- 49 - 70 BN HUVA CUPS	0.750	1.125	0.187	\$2.34	EA
6226- 50 - 70 BN HUVA CUPS	0.875	1.250	0.187	\$2.48	EA
6226- 51 - 70 BN HUVA CUPS	1.000	1.375	0.187	\$2.98	EA
6226- 52 - 70 BN HUVA CUPS	1.125	1.500	0.187	\$2.98	EA
6226- 53 - 70 BN HUVA CUPS	1.250	1.625	0.187	\$2.98	EA
6226- 85 - 70 BN HUVA CUPS	9.000	10.000	0.500	\$61.00	EA
6226- 87 - 70 BN HUVA CUPS	11.000	12.000	0.500	\$63.61	EA

Don't see your size, call our sales department
today! We will
be glad to help!

Type 421 "AN" Wiper

OPERATING CONDITIONS INCH			
TEMPERATURE RANGE			
-40°F +230°F			
SURFACE ROUGHNESS			
		µin CLA	µin RMS
DYNAMIC SEALING FACE	Ød ₁	4 to 16	5 to 18
STATIC SEALING FACE	ØD ₁ , ØD ₂	100 max	111 max
STATIC HOUSING FACES	L ₁	100 max	111 max
RADII in			
MAX FILLET RAD	r ₁	0.010	
MAX FILLET RAD	r ₂	0.020	

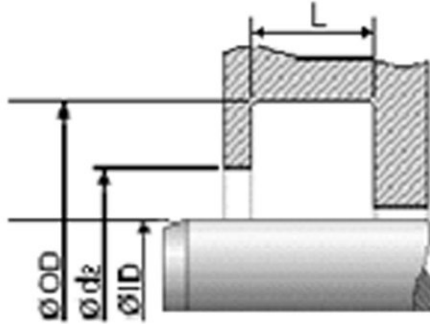
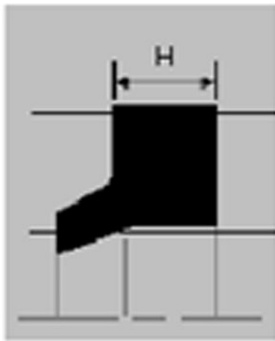


DESIGN

Designed for medium duty applications, the Hallite 421 snap-in urethane rod wipers offer excellent resistance to abrasion, toughness, high tensile strength and are impact resistant to withstand shock, yet they retain the flexibility to remain effective throughout their entire life, even where some side movement of the rod is evident.

Capable of removing mud and other contaminants from the rod, and to interchange with AN6231 & MS28776 corresponding wipers. Hallite's type 421 is extremely compact, versatile and cost effective.

"AN" STYLE ROD WIPERS



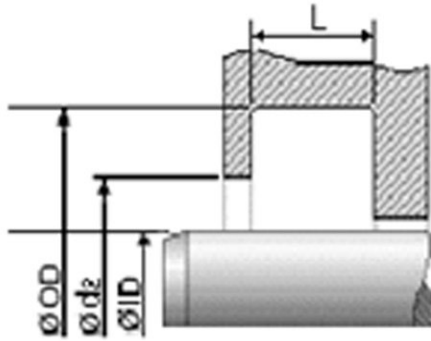
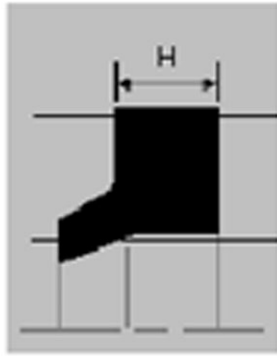
AN STYLE - POLYURETHANE ROD WIPERS

ITEM DESCRIPTION		DIMENSIONS			LIST PRICE	UOM
ITEM	SIZE	ROD DIA.	O.D. WIPER	THICKNESS		
AN 01 WIPER	1/2"	0.498	0.760	0.107	\$1.43	EA
AN 02 WIPER	9/16"	0.563	0.823	0.107	\$1.43	EA
AN 03 WIPER	5/8"	0.625	0.885	0.107	\$1.43	EA
AN 04 WIPER	11/16"	0.688	0.948	0.107	\$1.43	EA
AN 05 WIPER	3/4"	0.748	1.010	0.107	\$1.43	EA
AN 06 WIPER	13/16"	0.813	1.084	0.107	\$1.43	EA
AN 07 WIPER	7/8"	0.873	1.147	0.107	\$4.49	EA
AN 08 WIPER	15/16"	0.935	1.209	0.107	\$1.64	EA
AN 09 WIPER	1-0/0"	0.998	1.272	0.107	\$1.64	EA
AN 10 WIPER	1-1/16"	1.063	1.334	0.107	\$1.64	EA
AN 11 WIPER	1-1/8"	1.123	1.397	0.107	\$1.64	EA
AN 12 WIPER	1-3/16"	1.188	1.504	0.107	\$1.75	EA
AN 13 WIPER	1-1/4"	1.248	1.522	0.107	\$1.75	EA
AN 14 WIPER	1-5/16"	1.310	1.614	0.107	\$1.75	EA
AN 15 WIPER	1-3/8"	1.373	1.677	0.107	\$2.12	EA
AN 16 WIPER	1-7/16"	1.435	1.739	0.107	\$2.12	EA
AN 17 WIPER	1-1/2"	1.498	1.802	0.107	\$2.46	EA
AN 18 WIPER	1-5/8"	1.623	1.927	0.107	\$2.46	EA
AN 19 WIPER	1-3/4"	1.748	2.052	0.107	\$2.72	EA
AN 20 WIPER	1-7/8"	1.873	2.177	0.107	\$2.72	EA
AN 21 WIPER	2-0/0"	1.998	2.302	0.107	\$2.72	EA
AN 22 WIPER	2-1/8"	2.123	2.427	0.107	\$2.72	EA
AN 23 WIPER	2-1/4"	2.248	2.552	0.107	\$8.33	EA
AN 24 WIPER	2-3/8"	2.373	2.677	0.107	\$2.72	EA
AN 25 WIPER	2-1/2"	2.498	2.802	0.107	\$3.07	EA
AN 26 WIPER	2-5/8"	2.623	2.989	0.122	\$3.07	EA
AN 27 WIPER	2-3/4"	2.748	3.114	0.122	\$7.73	EA
AN 28 WIPER	2-7/8"	2.873	3.239	0.122	\$3.07	EA
AN 29 WIPER	3-0/0"	2.997	3.364	0.122	\$4.19	EA
AN 30 WIPER	3-1/8"	3.122	3.489	0.122	\$4.19	EA
AN 31 WIPER	3-1/4"	3.247	3.614	0.122	\$4.19	EA

AN STYLE - POLYURETHANE ROD WIPERS

ITEM DESCRIPTION		DIMENSIONS			LIST PRICE	UOM
ITEM	SIZE	ROD DIA.	O.D. WIPER	THICKNESS		
AN 32 WIPER	3-3/8"	3.372	3.729	0.122	\$4.19	EA
AN 33 WIPER	3-1/2"	3.497	3.864	0.122	\$5.30	EA
AN 34 WIPER	3-5/8"	3.622	3.989	0.122	\$5.30	EA
AN 35 WIPER	3-3/4"	3.747	4.114	0.122	\$5.80	EA
AN 36 WIPER	3-7/8"	3.872	4.239	0.122	\$5.80	EA
AN 37 WIPER	4-0/0"	3.997	4.427	0.138	\$5.80	EA
AN 38 WIPER	4-1/8"	4.122	4.552	0.138	\$5.80	EA
AN 39 WIPER	4-1/4"	4.247	4.802	0.138	\$6.53	EA
AN 40 WIPER	4-3/8"	4.372	4.802	0.138	\$6.53	EA
AN 41 WIPER	4-1/2"	4.497	4.927	0.138	\$6.53	EA
AN 42 WIPER	4-5/8"	4.622	5.052	0.138	\$6.76	EA
AN 43 WIPER	4-3/4"	4.747	5.177	0.138	\$7.87	EA
AN 44 WIPER	4-7/8"	4.872	5.302	0.138	\$6.76	EA
AN 45 WIPER	5-0/0"	4.997	5.472	0.138	\$6.76	EA
AN 46 WIPER	5-1/8"	5.122	5.552	0.138	\$6.86	EA
AN 47 WIPER	5-1/4"	5.247	5.677	0.138	\$6.86	EA
AN 48 WIPER	5-3/8"	5.372	5.802	0.138	\$6.96	EA
AN 49 WIPER	5-1/2"	5.497	5.989	0.138	\$16.35	EA
AN 50 WIPER	5-5/8"	5.622	6.114	0.154	\$6.96	EA
AN 51 WIPER	5-3/4"	5.747	6.239	0.154	\$6.96	EA
AN 52 WIPER	5-7/8"	5.872	6.364	0.154	\$11.87	EA
AN 53 WIPER	6-0/0"	5.997	6.489	0.154	\$12.03	EA
AN 54 WIPER	6-1/4"	6.247	6.739	0.154	\$12.32	EA
AN 55 WIPER	6-1/2"	6.497	6.989	0.154	\$12.55	EA
AN 56 WIPER	6-3/4"	6.747	7.239	0.154	\$12.77	EA
AN 57 WIPER	7-0/0"	6.997	7.484	0.154	\$13.51	EA
AN 58 WIPER	7-1/4"	7.247	7.739	0.154	\$13.66	EA
AN 59 WIPER	7-1/2"	7.497	7.989	0.154	\$13.81	EA
AN 60 WIPER	7-3/4"	7.741	8.235	0.154	\$14.03	EA
AN 61 WIPER	8-0/0"	7.997	8.484	0.154	\$14.18	EA
AN 62 WIPER	8-1/2"	8.497	8.989	0.154	\$14.47	EA
AN 63 WIPER	9-0/0"	8.997	9.491	0.154	\$14.84	EA
AN 64 WIPER	9-1/2"	9.497	9.991	0.154	\$16.48	EA
AN 65 WIPER	10-0/0"	9.991	10.483	0.154	\$17.00	EA
AN 66 WIPER	10-1/2"	10.497	11.000	0.154	\$19.82	EA
AN 67 WIPER	10-3/4"	10.747	11.125	0.154	\$20.03	EA
AN 67-A WIPER	11-0/0"	11.000	11.497	0.154	\$20.03	EA
AN 68 WIPER	11-1/2"	11.500	12.000	0.154	\$20.48	EA
AN 69 WIPER	12-0/0"	11.997	12.491	0.169	\$24.94	EA

"AN" STYLE ROD WIPERS



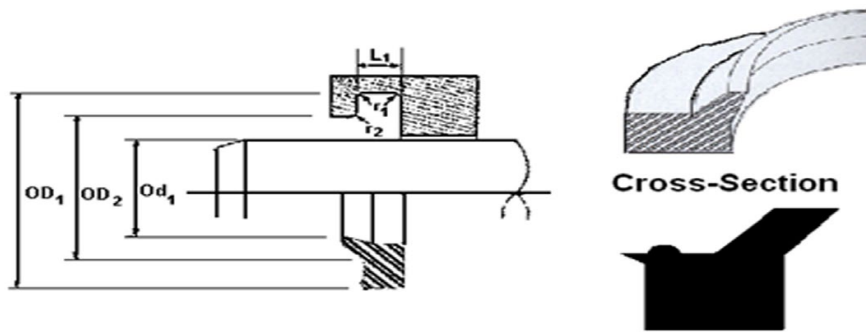
AN STYLE - FLUOROCARBON ROD WIPERS

DESCRIPTION		DIMENSIONS			LIST PRICE	UOM	
ITEM	SIZE	ROD DIA.	O.D. WIPER	HEIGHT			
AN 01	WIPER	1/2"	0.498	0.766	0.107	\$6.79	EA
AN 03	WIPER	5/8"	0.625	0.891	0.107	\$7.82	EA
AN 05	WIPER	3/4"	0.748	1.016	0.107	\$7.65	EA
AN 07	WIPER	7/8"	0.873	1.153	0.107	\$12.64	EA
AN 09	WIPER	1-0"	0.998	1.278	0.107	\$14.74	EA
AN 11	WIPER	1-1/8"	1.123	1.403	0.107	\$15.13	EA
AN 13	WIPER	1-1/4"	1.248	1.528	0.107	\$10.07	EA
AN 15	WIPER	1-3/8"	1.373	1.684	0.107	\$16.21	EA
AN 17	WIPER	1-1/2"	1.498	1.808	0.107	\$12.28	EA
AN 18	WIPER	1-5/8"	1.623	1.934	0.107	\$17.74	EA
AN 19	WIPER	1-3/4"	1.748	2.059	0.107	\$14.93	EA
AN 20	WIPER	1-7/8"	1.873	2.184	0.107	\$15.57	EA
AN 21	WIPER	2-0/0"	1.998	2.309	0.107	\$15.08	EA
AN 22	WIPER	2-1/8"	2.123	2.434	0.107	\$29.64	EA
AN 23	WIPER	2-1/4"	2.250	2.559	0.107	\$23.92	EA
AN 24	WIPER	2-3/8"	2.373	2.684	0.107	\$19.55	EA
AN 25	WIPER	2-1/2"	2.498	2.809	0.107	\$19.31	EA
AN 26	WIPER	2-5/8"	2.623	2.996	0.122	\$23.78	EA
AN 27	WIPER	2-3/4"	2.748	3.121	0.122	\$21.42	EA
AN 28	WIPER	2-7/8"	2.873	3.246	0.122	\$21.57	EA
AN 29	WIPER	3-0/0"	2.997	3.372	0.122	\$21.71	EA
AN 30	WIPER	3-1/8"	3.122	3.497	0.122	\$27.22	EA
AN 31	WIPER	3-1/4"	3.247	3.622	0.122	\$22.35	EA
AN 32	WIPER	3-3/8"	3.372	3.747	0.122	\$25.25	EA
AN 33	WIPER	3-1/2"	3.497	3.872	0.122	\$26.58	EA
AN 34	WIPER	3-5/8"	3.622	3.997	0.122	\$26.82	EA
AN 35	WIPER	3-3/4"	3.747	4.122	0.122	\$29.97	EA
AN 36	WIPER	3-7/8"	3.872	4.246	0.122	\$24.12	EA
AN 37	WIPER	4-0/0"	3.997	4.434	0.138	\$29.38	EA
AN 38	WIPER	4-1/8"	4.122	4.560	0.138	\$27.36	EA
AN 39	WIPER	4-1/4"	4.247	4.684	0.138	\$30.85	EA

AN STYLE - FLUOROCARBON ROD WIPERS							
DESCRIPTION			DIMENSIONS			LIST PRICE	UOM
ITEM	SIZE	ROD DIA.	O.D. WIPER	HEIGHT			
AN 40 WIPER	4-3/8"	4.372	4.810	0.138	\$29.48	EA	
AN 41 WIPER	4-1/2"	4.497	4.934	0.138	\$31.19	EA	
AN 42 WIPER	4-5/8"	4.622	5.060	0.138	\$32.18	EA	
AN 43 WIPER	4-3/4"	4.747	5.184	0.138	\$31.49	EA	
AN 45 WIPER	5-0/0"	4.997	5.434	0.138	\$29.33	EA	
AN 46 WIPER	5-1/8"	5.122	5.560	0.138	\$28.69	EA	
AN 47 WIPER	5-1/4"	5.247	5.684	0.138	\$33.45	EA	
AN 49 WIPER	5-1/2"	5.497	5.934	0.138	\$32.47	EA	
AN 51 WIPER	5-3/4"	5.747	6.246	0.154	\$39.99	EA	
AN 53 WIPER	6-0/0"	5.997	6.496	0.154	\$35.76	EA	
AN 54 WIPER	6-1/4"	6.247	6.746	0.154	\$31.74	EA	
AN 55 WIPER	6-1/2"	6.497	6.996	0.154	\$38.71	EA	
AN 56 WIPER	6-3/4"	6.747	7.246	0.154	\$40.73	EA	
AN 57 WIPER	7-0/0"	6.997	7.496	0.154	\$42.94	EA	
AN 59 WIPER	7-1/2"	7.497	7.997	0.154	\$38.22	EA	
AN 60 WIPER	7-3/4"	7.741	8.247	0.154	\$40.92	EA	
AN 61 WIPER	8-0/0"	7.997	8.497	0.154	\$45.74	EA	
AN 62 WIPER	8-1/2"	8.497	8.997	0.154	\$47.55	EA	
AN 63 WIPER	9-0/0"	8.997	9.497	0.154	\$44.56	EA	
AN 65 WIPER	10-0/0"	9.997	10.497	0.154	\$63.62	EA	
AN 69 WIPER	12-0/0"	11.997	12.497	0.169	\$55.56	EA	
AN 71 WIPER	13-0/0"	12.997	13.497	0.169	\$96.83	EA	

**QUALITY AND
RELIABLE
SERVICE! LOW
SHIPPING
COSTS!**

BRASS ROD WIPERS



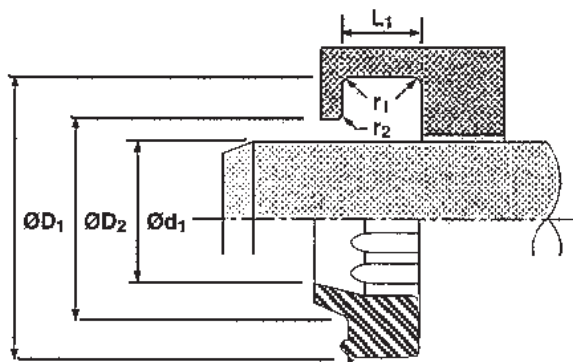
BRASS ROD WIPERS

ITEM DESCRIPTION	ROD DIAMETER	LIST PRICE	UOM
A-09 BRASS WIPER	1.000"	\$27.09	EA
A-13 BRASS WIPER	1.250"	\$28.69	EA
A-15 BRASS WIPER	1.375"	\$33.07	EA
A-17 BRASS WIPER	1.500"	\$33.87	EA
A-19 BRASS WIPER	1.750"	\$37.85	EA
A-21 BRASS WIPER	2.000"	\$38.65	EA
A-22 BRASS WIPER	2.125"	\$42.76	EA
A-23 BRASS WIPER	2.250"	\$44.23	EA
A-25 BRASS WIPER	2.500"	\$47.81	EA
A-27 BRASS WIPER	2.750"	\$53.39	EA
A-29 BRASS WIPER	3.000"	\$57.77	EA
A-31 BRASS WIPER	3.250"	\$62.55	EA
A-33 BRASS WIPER	3.500"	\$66.94	EA
A-35 BRASS WIPER	3.750"	\$66.94	EA
A-37 BRASS WIPER	4.000"	\$71.05	EA
A-39 BRASS WIPER	4.250"	\$76.37	EA
A-41 BRASS WIPER	4.500"	\$79.69	EA
A-43 BRASS WIPER	4.750"	\$83.67	EA
A-45 BRASS WIPER	5.000"	\$87.65	EA
A-49 BRASS WIPER	5.500"	\$95.62	EA
A-51 BRASS WIPER	5.750"	\$124.71	EA
A-53 BRASS WIPER	6.000"	\$129.09	EA
A-55 BRASS WIPER	6.500"	\$131.62	EA
A-57 BRASS WIPER	7.000"	\$135.73	EA
A-61 BRASS WIPER	8.000"	\$144.43	EA
A-63 BRASS WIPER	9.000"	\$166.01	EA
A-65 BRASS WIPER	10.000"	\$186.60	EA
A-66 BRASS WIPER	10.500"	\$199.88	EA
A-67 BRASS WIPER	11.000"	\$213.16	EA
A-69 BRASS WIPER	12.000"	\$246.36	EA

Thank you for your continued
patronage!

Wipers

TECHNICAL DETAILS		METRIC		INCH	
OPERATING CONDITIONS					
MAXIMUM SPEED	4.0 m/sec			12.0 ft/sec	
TEMPERATURE RANGE	-40°C + 110°C			-40°F + 230°F	
SURFACE ROUGHNESS					
DYNAMIC SEALING FACE $\varnothing d_1$	μmRa 0.1 ↔ 0.4	μmRt 4 max	μinCLA 4 ↔ 16	μinRMS 5 ↔ 18	
STATIC SEALING FACE $\varnothing D_1$ $\varnothing D_2$	1.6 max	10 max	63 max	70 max	
STATIC HOUSING FACES L_1	3.2 max	16 max	125 max	140 max	
RADII					
MAX FILLET RAD r_1 in	0.016				
MAX FILLET RAD r_2 in	0.016				
TOLERANCES					
	$\varnothing d_1$	$\varnothing D_1$	$\varnothing D_2$	L_1	
in	±0.004	±0.003	±0.005	+0.004 -0	



DESIGN

The Hallite 520 snap-in rod wiper has been designed to fit "Universal" style housings. The proportions of the wiping lip ensure that contact is maintained with the surface of the rod to remove heavily deposited mud, ice, etc. The outside diameter contacts the housing diameter and has a sealing lip to prevent moisture entering the groove. The moulded ribs on the internal diameter provides extra stability to the seal and help prevent pressure trapping.

The Hallite 520 is available in two polyurethane compounds or a polyester based compound and can be used with a split housing, however the majority can be installed in a blind housing with care.

FEATURES

- PRECISION TRIMMED SEALING LIP
- 'CRUSH LIP' AND 'FACE BEAD' PROVIDE EFFECTIVE SEAL ON HOUSING
- LOW WEAR LONG LIFE
- COST EFFECTIVE
- PRESSURE RELIEF RIBS
- HALLITE 361 POLYESTER MATERIAL FOR HEAVY DUTY APPLICATIONS

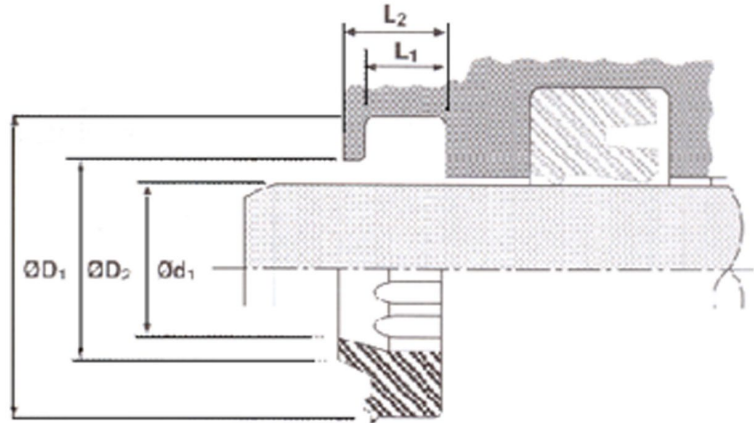
MATERIAL OPTIONS

The part numbers shown are for Hythane 181 polyurethane. If you require this product in polyester, or Hallite 361 please change the last digit for ordering.

For example:

- 8880910 = Hythane 181
- 8880911 = polyester
- 8880916 = Hallite 361

520 "D" STYLE ROD WIPERS



D STYLE - POLYURETHANE ROD WIPERS

ITEM DESCRIPTION		DIMENSIONS			LIST PRICE	UOM
ITEM	SIZE	ROD DIA.	O.D. WIPER	THICKNESS		
D-0187 WIPER	3/16"	0.187	0.430	0.125	\$6.58	EA
D-0312 WIPER	5/16"	0.312	0.562	0.125	\$3.38	EA
D-0375 WIPER	3/8"	0.375	0.625	0.125	\$2.29	EA
D-0500 WIPER	1/2"	0.500	0.750	0.125	\$2.29	EA
D-0562 WIPER	9/16"	0.562	0.812	0.125	\$2.29	EA
D-0625 WIPER	5/8"	0.625	0.875	0.125	\$2.29	EA
D-0687 WIPER	11/16"	0.687	0.937	0.125	\$2.29	EA
D-0750 WIPER	3/4"	0.750	1.125	0.187	\$3.82	EA
D-0812 WIPER	13/16"	0.812	1.187	0.187	\$2.60	EA
D-0875 WIPER	7/8"	0.875	1.250	0.187	\$2.60	EA
D-0937 WIPER	15/16"	0.937	1.312	0.187	\$2.60	EA
D-1000 WIPER	1-0/0"	1.000	1.375	0.187	\$2.60	EA
D-1125 WIPER	1-1/8"	1.125	1.500	0.187	\$2.75	EA
D-1187 WIPER	1-3/16"	1.187	1.562	0.187	\$6.37	EA
D-1250 WIPER	1-1/4"	1.250	1.625	0.187	\$2.75	EA
D-1375 WIPER	1-3/8"	1.375	1.750	0.187	\$2.75	EA
D-1437 WIPER	1-7/16"	1.437	1.750	0.187	\$2.75	EA
D-1500 WIPER	1-1/2"	1.500	1.875	0.187	\$2.88	EA
D-1500-WIPER	1-1/2"	1.500	1.875	0.187	\$5.89	EA
D-1625 WIPER	1-5/8"	1.625	2.000	0.187	\$6.00	EA
D-1750 WIPER	1-3/4"	1.750	2.125	0.187	\$3.21	EA
D-1875 WIPER	1-7/8"	1.875	2.250	0.187	\$3.36	EA
D-2000 WIPER	2-0/0"	2.000	2.500	0.250	\$3.76	EA
D-2125 WIPER	2-1/8"	2.125	2.625	0.250	\$3.98	EA
D-2250 WIPER	2-1/4"	2.250	2.750	0.250	\$4.07	EA
D-2375 WIPER	2-3/8"	2.375	2.875	0.250	\$7.48	EA
D-2500 WIPER	2-1/2"	2.500	3.000	0.250	\$4.37	EA
D-2625 WIPER	2-5/8"	2.625	3.125	0.250	\$9.85	EA
D-2750 WIPER	2-3/4"	2.750	3.250	0.250	\$4.99	EA

D STYLE - POLYURETHANE ROD WIPERS

ITEM DESCRIPTION		DIMENSIONS			LIST PRICE	UOM
ITEM	SIZE	ROD DIA.	O.D. WIPER	THICKNESS		
D-2875 WIPER	2-7/8"	2.875	3.375	0.250	\$5.29	EA
D-3000 WIPER	3-0/0"	3.000	3.500	0.250	\$5.81	EA
D-3125 WIPER	3-1/8"	3.125	3.625	0.250	\$5.81	EA
D-3250 WIPER	3-1/4"	3.250	3.750	0.250	\$6.42	EA
D-3375 WIPER	3-3/8"	3.375	3.875	0.250	\$6.42	EA
D-3500 WIPER	3-1/2"	3.500	4.000	0.250	\$6.42	EA
D-3625 WIPER	3-5/8"	3.625	4.125	0.250	\$6.42	EA
D-3750 WIPER	3-3/4"	3.750	4.250	0.250	\$6.42	EA
D-3875 WIPER	3-7/8"	3.875	4.375	0.250	\$6.52	EA
D-4000 WIPER	4-0/0"	4.000	4.500	0.250	\$6.85	EA
D-4125 WIPER	4-1/8"	4.125	4.625	0.250	\$6.85	EA
D-4250 WIPER	4-1/4"	4.250	4.750	0.250	\$7.25	EA
D-4375 WIPER	4-3/8"	4.375	4.875	0.250	\$8.49	EA
D-4500 WIPER	4-1/2"	4.500	5.250	0.375	\$11.61	EA
D-4500- WIPER	4-1/2"	4.500	5.250	0.375	\$9.46	EA
D-4625 WIPER	4-5/8"	4.625	5.375	0.375	\$11.61	EA
D-4750 WIPER	4-3/4"	4.750	5.500	0.375	\$12.83	EA
D-4875 WIPER	4-7/8"	4.875	5.625	0.375	\$12.83	EA
D-5000 WIPER	5-0/0"	5.000	5.750	0.375	\$14.09	EA
D-5125 WIPER	5-1/8"	5.125	5.875	0.375	\$14.09	EA
D-5250 WIPER	5-1/4"	5.250	6.000	0.375	\$15.51	EA
D-5375 WIPER	5-3/8"	5.375	6.125	0.375	\$15.51	EA
D-5500 WIPER	5-1/2"	5.500	6.250	0.375	\$17.01	EA
D-5625 WIPER	5-5/8"	5.625	6.375	0.375	\$17.01	EA
D-5750 WIPER	5-3/4"	5.750	6.500	0.375	\$17.01	EA
D-5875 WIPER	5-7/8"	5.875	6.500	0.375	\$17.01	EA
D-6000 WIPER	6-0/0"	6.000	6.750	0.375	\$18.63	EA
D-6250 WIPER	6-1/4"	6.250	7.000	0.375	\$18.63	EA
D-6500 WIPER	6-1/2"	6.500	7.250	0.375	\$18.63	EA
D-6750 WIPER	6-3/4"	6.750	7.500	0.375	\$18.63	EA
D-7000 WIPER	7-0/0"	7.000	7.750	0.375	\$23.00	EA
D-7000 WIPER	7-0/0"	7.000	7.750	0.375	\$25.21	EA
D-7250 WIPER	7-0/0"	7.250	7.750	0.375	\$25.15	EA
D-7500 WIPER	7-1/2"	7.500	8.250	0.375	\$23.00	EA
D-8000 WIPER	8-0/0"	8.000	8.750	0.375	\$26.84	EA
D-8000 WIPER	8-0/0"	8.000	8.750	0.375	\$45.08	EA
D-8500 WIPER	8-1/2"	8.500	9.250	0.375	\$26.84	EA
D-9000 WIPER	9-0/0"	9.000	9.750	0.375	\$26.84	EA
D-9500 WIPER	9-1/2"	9.500	10.250	0.375	\$26.84	EA
D-10000 WIPER	10-0/0"	10.000	11.000	0.500	\$36.46	EA
D-11000 WIPER	11-0/0"	11.000	12.000	0.500	\$57.20	EA
D-11250 WIPER	11-1/4"	11.250	12.250	0.500	\$43.30	EA

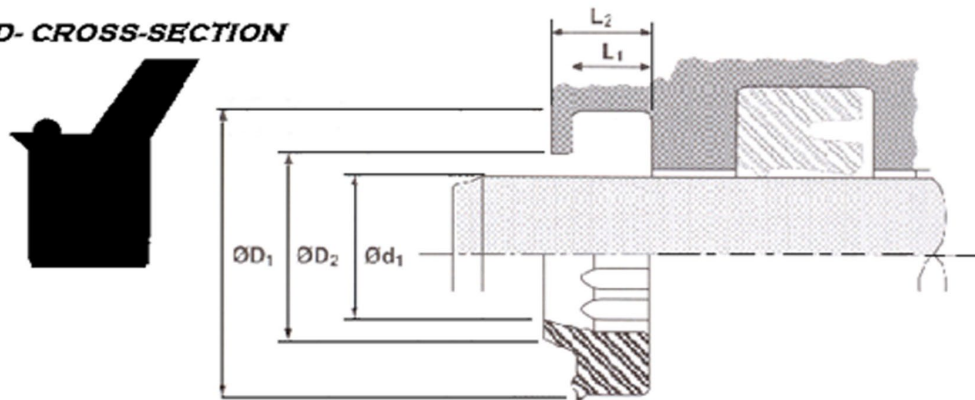
D STYLE - POLYURETHANE ROD WIPERS

ITEM DESCRIPTION		DIMENSIONS			LIST PRICE	UOM
ITEM	SIZE	ROD DIA.	O.D. WIPER	THICKNESS		
<i>D-12000</i> WIPER	12-0/0"	12.000	13.000	0.500	\$43.50	EA
<i>D-13000</i> WIPER	13-0/0"	13.000	13.000	0.500	\$168.73	EA
<i>D-14000</i> WIPER	14-0/0"	14.000	13.000	0.500	\$150.87	EA
<i>D-16000</i> WIPER	16-0/0"	16.000	17.000	0.500	\$201.75	EA

**QUALITY AND
RELIABLE
SERVICE! LOW
SHIPPING COSTS!**

FLUOROCARBON "D" WIPERS

D- CROSS-SECTION



D STYLE - FLUOROCARBON ROD WIPERS

ITEM DESCRIPTION		DIMENSIONS			LIST PRICE	UOM	
ITEM	SIZE	ROD DIA.	O.D. WIPER	HEIGHT			
D-0250	WIPER	1/4"	0.250	0.500	0.125	\$4.03	EA
D-0312	WIPER	5/16"	0.312	0.562	0.125	\$6.34	EA
D-0375	WIPER	3/8"	0.375	0.625	0.125	\$7.03	EA
D-0437	WIPER	7/16"	0.437	0.687	0.125	\$8.11	EA
D-0500	WIPER	1/2"	0.500	0.750	0.125	\$8.50	EA
D-0625	WIPER	5/8"	0.625	0.875	0.125	\$8.61	EA
D-0750	WIPER	3/4"	0.750	1.125	0.187	\$9.76	EA
D-0875	WIPER	7/8"	0.875	1.250	0.187	\$9.89	EA
D-1000	WIPER	1-0/0"	1.000	1.375	0.188	\$10.05	EA
D-1125	WIPER	1-1/8"	1.125	1.500	0.188	\$17.89	EA
D-1187	WIPER	1-3/16"	1.188	1.563	0.188	\$11.61	EA
D-1250	WIPER	1-1/4"	1.250	1.625	0.188	\$13.21	EA
D-1375	WIPER	1-3/8"	1.375	1.750	0.188	\$12.37	EA
D-1500	WIPER	1-1/2"	1.500	1.875	0.188	\$14.25	EA
D-1625	WIPER	1-5/8"	1.625	2.000	0.188	\$13.94	EA
D-1750	WIPER	1-3/4"	1.750	2.125	0.188	\$13.99	EA
D-1875	WIPER	1-7/8"	1.875	2.250	0.188	\$16.58	EA
D-2000	WIPER	2-0/0"	2.000	2.500	0.250	\$17.44	EA
D-2125	WIPER	2-1/8"	2.125	2.625	0.250	\$20.82	EA
D-2250	WIPER	2-1/4"	2.250	2.750	0.250	\$21.33	EA
D-2375	WIPER	2-3/8"	2.375	2.875	0.250	\$22.93	EA
D-2500	WIPER	2-1/2"	2.500	3.000	0.250	\$27.09	EA
D-2625	WIPER	2-5/8"	2.625	3.125	0.250	\$27.79	EA
D-2750	WIPER	2-3/4"	2.750	3.250	0.250	\$28.87	EA
D-3000	WIPER	3-0/0"	3.000	3.500	0.250	\$31.21	EA
D-3125	WIPER	3-1/8"	3.125	3.625	0.250	\$31.47	EA
D-3250	WIPER	3-1/4"	3.250	3.750	0.250	\$28.90	EA
D-3375	WIPER	3-3/8"	3.375	3.875	0.250	\$34.17	EA
D-3500	WIPER	3-1/2"	3.500	4.000	0.250	\$35.80	EA
D-3625	WIPER	3-5/8"	3.625	4.125	0.250	\$36.68	EA

D STYLE - FLUOROCARBON ROD WIPERS

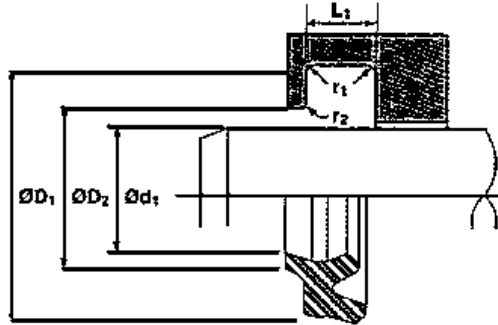
ITEM DESCRIPTION		DIMENSIONS			LIST PRICE	UOM	
ITEM	SIZE	ROD DIA.	O.D. WIPER	HEIGHT			
D-3750	WIPER	3-3/4"	3.750	4.250	0.250	\$36.84	EA
D-3875	WIPER	3-7/8"	3.875	4.375	0.250	\$40.63	EA
D-4000	WIPER	4-0/0"	4.000	4.500	0.250	\$44.56	EA
D-4250	WIPER	4-1/4"	4.250	4.750	0.250	\$62.63	EA
D-4375	WIPER	4-3/8"	4.375	4.875	0.250	\$46.08	EA
D-4500	WIPER	4-1/2"	4.500	5.250	0.375	\$55.45	EA
D-4625	WIPER	4-5/8"	4.625	5.375	0.375	\$56.45	EA
D-4750	WIPER	4-3/4"	4.750	5.500	0.375	\$57.72	EA
D-4875	WIPER	4-7/8"	4.875	5.625	0.375	\$62.78	EA
D-5000	WIPER	5-0/0"	5.000	5.750	0.375	\$62.82	EA
D-5125	WIPER	5-1/8"	5.125	5.875	0.375	\$63.00	EA
D-5250	WIPER	5-1/4"	5.250	6.000	0.375	\$63.18	EA
D-5375	WIPER	5-3/8"	5.375	6.125	0.375	\$63.41	EA
D-5500	WIPER	5-1/2"	5.500	6.250	0.375	\$69.12	EA
D-5750	WIPER	5-3/4"	5.750	6.500	0.375	\$70.24	EA
D-6000	WIPER	6-0/0"	6.000	6.750	0.375	\$71.11	EA
D-6250	WIPER	6-1/4"	6.250	7.000	0.375	\$74.94	EA
D-6500	WIPER	6-1/2"	6.500	7.250	0.375	\$78.48	EA
D-7000	WIPER	7-0/0"	7.000	7.750	0.375	\$98.10	EA
D-7500	WIPER	7-1/2"	7.500	8.250	0.375	\$79.69	EA
D-8000	WIPER	8-0/0"	8.000	8.750	0.375	\$81.61	EA
D-8500	WIPER	8-1/2"	8.500	9.250	0.375	\$82.64	EA
D-9000	WIPER	9-0/0"	9.000	9.750	0.375	\$82.83	EA
D-10000	WIPER	10-0/0"	10.000	11.000	0.500	\$160.05	EA
D-11000	WIPER	11-0/0"	11.000	12.000	0.500	\$163.44	EA
D-12000	WIPER	12-0/0"	12.000	13.000	0.500	\$177.15	EA
D-13000	WIPER	13-0/0"	13.000	14.000	0.500	\$184.66	EA

**SAME DAY SHIPPING
ON MOST ORDERS!**

“H” ROD WIPER SPECIFICATIONS



H Rod Wiper



FEATURES

The Type H wiper is highly impact resistant to meet the demands of Fluid power equipment, and the double lip provides both sealing and Wiping action in one component. The wiper is ozone and radiation Resistant. Exposure to sun, weather, UV, and other outdoor Environments have very little effect, and it's found in many of today's Industrial applications where no rod leakage is allowable.

- For heavy-duty applications
- Contamination resistant
- Self-venting

APPLICATIONS

- Bulldozers
- Construction equipment
- Forklifts
- Mobile lifts
- Agricultural equipment
- Injection molding machines
- Mobile arm trucks
- General cylinders

MATERIALS

Polyurethane---HU2093 YL
 Hardness-----93 Shore A
 Hytrel-----HT2053 OR
 Hardness-----52 Shore D
 Hytrel-----HT2047 N
 Hardness-----47 Shore D

OPERATING LIMITS

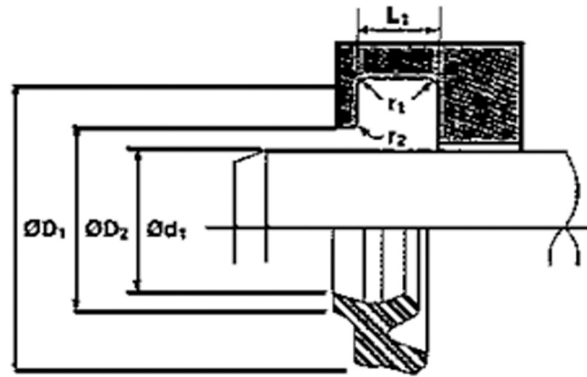
The operating limits of the seal are highly dependant on the application. Combinations of pressure, temperature, fluid mediums, and other factors all greatly effect the performance and longevity of the seal.

SPEED-----4.2 ft. / S / 1.4 m/s
Temperature- (typ.) up to 100°C / 212°F

"H" STYLE ROD WIPERS



H - CROSS - SECTION



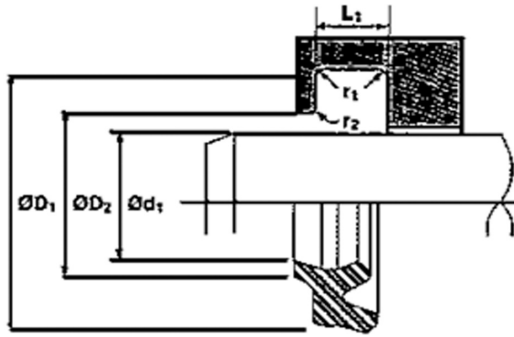
H STYLE - POLYURETHANE ROD WIPERS

ITEM DESCRIPTION		DIMENSIONS			LIST PRICE	UOM
ITEM	SIZE	ROD DIA.	O.D. WIPER	THICKNESS		
H-0500 WIPER	1/2"	0.500	0.812	0.194	\$3.50	EA
H-0625 WIPER	5/8"	0.625	0.937	0.194	\$3.56	EA
H-0750 WIPER	3/4"	0.750	1.062	0.194	\$3.56	EA
H-0875 WIPER	7/8"	0.875	1.250	0.212	\$3.63	EA
H-1000 WIPER	1-0/0"	1.000	1.375	0.212	\$3.75	EA
H-1125 WIPER	1-1/8"	1.125	1.500	0.212	\$3.94	EA
H-1250 WIPER	1-1/4"	1.250	1.625	0.212	\$4.20	EA
H-1375 WIPER	1-3/8"	1.375	1.750	0.212	\$4.52	EA
H-1500 WIPER	1-1/2"	1.500	1.875	0.212	\$4.77	EA
H-1625 WIPER	1-5/8"	1.625	2.000	0.212	\$4.90	EA
H-1750 WIPER	1-3/4"	1.750	2.125	0.212	\$5.02	EA
H-2000 WIPER	2-0/0"	2.000	2.375	0.212	\$6.00	EA
H-2125 WIPER	2-1/8"	2.125	2.500	0.212	\$5.98	EA
H-2250 WIPER	2-1/4"	2.250	2.750	0.275	\$6.17	EA
H-2500 WIPER	2-1/2"	2.500	3.000	0.275	\$6.55	EA
H-2625 WIPER	2-5/8"	2.625	3.125	0.275	\$7.06	EA
H-2750 WIPER	2-3/4"	2.750	3.250	0.275	\$7.31	EA
H-3000 WIPER	3-0/0"	3.000	3.500	0.275	\$8.14	EA
H-3250 WIPER	3-1/4"	3.250	3.750	0.275	\$8.84	EA
H-3500 WIPER	3-1/2"	3.500	4.000	0.275	\$9.73	EA
H-3625 WIPER	3-5/8"	3.625	4.125	0.275	\$10.21	EA
H-3750 WIPER	3-3/4"	3.750	4.250	0.275	\$10.73	EA
H-3875 WIPER	3-7/8"	3.875	4.375	0.275	\$11.13	EA
H-4000 WIPER	4-0/0"	4.000	4.500	0.275	\$11.37	EA
H-4500 WIPER	4-1/2"	4.500	5.000	0.275	\$16.00	EA
H-5000 WIPER	5-0/0"	5.000	5.500	0.275	\$12.21	EA
H-5500 WIPER	5-1/2"	5.500	6.000	0.275	\$12.91	EA
H-6000 WIPER	6-0/0"	6.000	6.500	0.275	\$13.10	EA
H-6500 WIPER	6-1/2"	6.500	7.000	0.275	\$13.29	EA
H-7000 WIPER	7-0/0"	7.000	7.500	0.275	\$12.21	EA

FLUOROCARBON "H" WIPERS



H- CROSS-SECTION



H STYLE - FLUOROCARBON ROD WIPERS

DESCRIPTION		DIMENSIONS			LIST PRICE	UOM	
ITEM	SIZE	ROD DIA.	O.D. WIPER	HEIGHT			
H-0312	WIPER	5/16"	0.312	0.625	0.194	\$6.53	EA
H-0375	WIPER	3/8"	0.375	0.687	0.194	\$6.73	EA
H-0437	WIPER	7/16"	0.437	0.750	0.194	\$7.17	EA
H-0500	WIPER	1/2"	0.500	0.812	0.194	\$9.30	EA
H-0625	WIPER	5/8"	0.625	0.938	0.194	\$10.27	EA
H-0750	WIPER	3/4"	0.750	1.062	0.194	\$10.13	EA
H-0875	WIPER	7/8"	0.875	1.250	0.212	\$11.30	EA
H-1000	WIPER	1-0/0"	1.000	1.375	0.212	\$11.42	EA
H-1125	WIPER	1-1/8"	1.125	1.500	0.212	\$11.94	EA
H-1250	WIPER	1-1/4"	1.250	1.625	0.212	\$11.99	EA
H-1375	WIPER	1-3/8"	1.375	1.750	0.212	\$19.65	EA
H-1500	WIPER	1-1/2"	1.500	1.875	0.212	\$19.55	EA
H-1625	WIPER	1-5/8"	1.625	2.000	0.212	\$19.36	EA
H-1750	WIPER	1-3/4"	1.750	2.125	0.212	\$20.73	EA
H-1875	WIPER	1-7/8"	1.875	2.250	0.212	\$20.88	EA
H-2000	WIPER	2-0/0"	2.000	2.375	0.212	\$15.61	EA
H-2125	WIPER	2-1/8"	2.125	2.500	0.212	\$20.93	EA
H-2250	WIPER	2-1/4"	2.250	2.750	0.275	\$27.76	EA
H-2500	WIPER	2-1/2"	2.500	3.000	0.275	\$17.29	EA
H-2750	WIPER	2-3/4"	2.750	3.250	0.275	\$29.28	EA
H-2875	WIPER	2-7/8"	2.875	3.375	0.275	\$30.75	EA
H-3000	WIPER	3-0/0"	3.000	3.500	0.275	\$21.93	EA
H-3250	WIPER	3-1/4"	3.250	3.750	0.275	\$27.66	EA
H-3500	WIPER	3-1/2"	3.500	4.000	0.275	\$27.65	EA
H-3750	WIPER	3-3/4"	3.750	4.250	0.275	\$32.28	EA
H-4000	WIPER	4-0/0"	4.000	4.500	0.275	\$30.54	EA
H-4250	WIPER	4-1/4"	4.250	4.750	0.275	\$36.35	EA
H-4375	WIPER	4-3/8"	4.375	4.875	0.275	\$38.42	EA
H-4500	WIPER	4-1/2"	4.500	5.000	0.275	\$35.26	EA
H-4625	WIPER	4-5/8"	4.625	5.125	0.275	\$38.42	EA
H-4750	WIPER	4-3/4"	4.750	5.250	0.275	\$37.43	EA
H-5000	WIPER	5-0/0"	5.000	5.500	0.275	\$33.16	EA

H STYLE - FLUOROCARBON ROD WIPERS

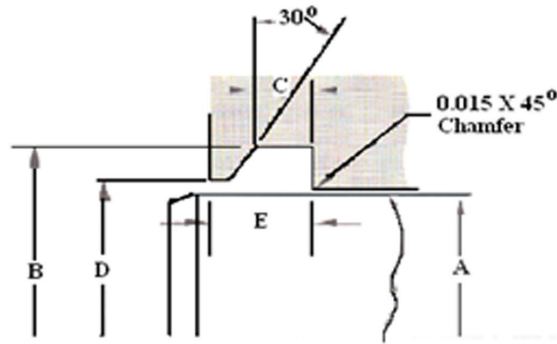
DESCRIPTION		DIMENSIONS			LIST PRICE	UOM
ITEM	SIZE	ROD DIA.	O.D. WIPER	HEIGHT		
H-5500 WIPER	5-1/2"	5.500	6.000	0.275	\$35.22	EA
H-5625 WIPER	5-5/8"	5.625	6.125	0.275	\$52.81	EA
H-5750 WIPER	5-3/4"	5.750	6.250	0.275	\$36.45	EA
H-6000 WIPER	6-0/0"	6.000	6.500	0.275	\$39.46	EA
H-6250 WIPER	6-1/4"	6.250	6.750	0.275	\$46.13	EA
H-6500 WIPER	6-1/2"	6.500	7.000	0.275	\$43.38	EA
H-7000 WIPER	7-0/0"	7.000	7.500	0.275	\$46.87	EA
H-8000 WIPER	8-0/0"	8.000	8.500	0.275	\$19.86	EA
H-8500 WIPER	8-1/2"	8.500	9.000	0.275	\$49.57	EA
H-9000 WIPER	9-0/0"	9.000	9.500	0.275	\$57.08	EA

We appreciate your business!

"K" STYLE ROD WIPERS



K Cross-Section

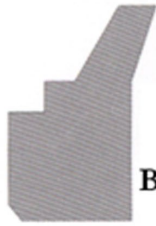


K STYLE - POLYURETHANE ROD WIPERS

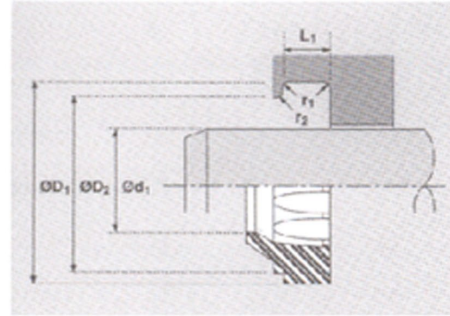
ITEM DESCRIPTION	ROD DIA.	DIMENSIONS			LIST PRICE	UOM
		O.D. WIPER	THICKNESS			
K-0500 WIPER	1/2"	0.500	0.750	0.156	\$2.94	EA
K-0625 WIPER	5/8"	0.625	0.875	0.156	\$2.94	EA
K-0750 WIPER	3/4"	0.750	1.125	0.190	\$3.02	EA
K-0875 WIPER	7/8"	0.875	1.250	0.190	\$3.10	EA
K-1000 WIPER	1-0/0"	1.000	1.375	0.190	\$3.18	EA
K-1125 WIPER	1-1/8"	1.125	1.500	0.190	\$3.50	EA
K-1250 WIPER	1-1/4"	1.250	1.625	0.190	\$3.82	EA
K-1375 WIPER	1-3/8"	1.375	1.750	0.190	\$4.21	EA
K-1500 WIPER	1-1/2"	1.500	1.875	0.190	\$4.37	EA
K-1750 WIPER	1-3/4"	1.750	2.125	0.190	\$4.64	EA
K-1875 WIPER	1-7/8"	1.875	2.250	0.190	\$4.70	EA
K-2000 WIPER	2-0/0"	2.000	2.375	0.190	\$6.98	EA
K-2250 WIPER	2-1/4"	2.250	2.750	0.250	\$5.30	EA
K-2500 WIPER	2-1/2"	2.500	3.000	0.250	\$5.63	EA
K-2625 WIPER	2-5/8"	2.625	3.125	0.250	\$5.70	EA
K-2750 WIPER	2-3/4"	2.750	3.250	0.250	\$6.73	EA
K-3000-187 WIPER	3-0/0"	3.000	3.385	0.187	\$10.91	EA
K-3000 WIPER	3-0/0"	3.000	3.500	0.250	\$6.84	EA
K-3250 WIPER	3-1/4"	3.250	3.750	0.250	\$7.00	EA
K-3500 WIPER	3-1/2"	3.500	4.000	0.250	\$7.79	EA
K-3625 WIPER	3-5/8"	3.625	4.125	0.250	\$8.16	EA
K-3750 WIPER	3-3/4"	3.750	4.250	0.250	\$8.53	EA
K-4000 WIPER	4-0/0"	4.000	4.500	0.250	\$8.69	EA
K-4500 WIPER	4-1/2"	4.500	5.000	0.250	\$9.75	EA
K-5000 WIPER	5-0/0"	5.000	5.500	0.250	\$10.02	EA
K-5750 WIPER	5-3/4"	5.750	6.250	0.250	\$11.45	EA
K-6000 WIPER	6-0/0"	6.000	6.500	0.250	\$12.14	EA
K-7000 WIPER	7-0/0"	7.000	7.500	0.250	\$12.80	EA
K-8000 WIPER	8-0/0"	8.000	8.500	0.250	\$13.39	EA

OTHER SIZES AVAILABLE,

"BT" STYLE ROD WIPERS



BT Cross-Section



BT STYLE - POLYURETHANE ROD WIPERS

ITEM DESCRIPTION	DIMENSIONS			LIST PRICE	UOM
	ROD DIA.	O.D. WIPER	THICKNESS		
BT-01050 WIPER	0.625	0.875	0.156	\$2.10	EA
BT-01260 WIPER	0.750	1.125	0.187	\$2.10	EA
BT-01460 WIPER	0.875	1.250	0.187	\$2.10	EA
BT-10060 WIPER	1.000	1.375	0.187	\$2.10	EA
BT-10260 WIPER	1.125	1.500	0.187	\$2.22	EA
BT-10460 WIPER	1.250	1.625	0.187	\$2.22	EA
BT-10660 WIPER	1.375	1.750	0.187	\$2.34	EA
BT-10860 WIPER	1.500	1.875	0.187	\$2.44	EA
BT-11260 WIPER	1.750	2.125	0.187	\$2.97	EA
BT-11460 WIPER	1.875	2.250	0.375	\$2.97	EA
BT-20060 WIPER	2.000	2.375	0.187	\$3.03	EA
BT-20460 WIPER	2.250	2.625	0.187	\$3.24	EA
BT-20781 WIPER	2.437	3.000	0.500	\$3.45	EA
BT-20860 WIPER	2.500	2.875	0.187	\$6.45	EA
BT-20880 WIPER	2.500	3.000	0.250	\$3.50	EA
BT-21080 WIPER	2.625	3.125	0.250	\$3.61	EA
BT-21260 WIPER	2.750	3.125	0.187	\$3.66	EA
BT-21280 WIPER	2.750	3.250	0.250	\$3.66	EA
BT-30060 WIPER	3.000	3.375	0.375	\$3.93	EA
BT-30061 WIPER	3.000	3.355	0.375	\$3.93	EA
BT-30080 WIPER	3.000	3.500	0.250	\$4.14	EA
BT-30081 WIPER	3.000	3.500	0.500	\$5.20	EA
BT-30381 WIPER	3.165	3.734	0.284	\$5.20	EA
BT-30480 WIPER	3.250	3.750	0.250	\$5.31	EA
BT-30862 WIPER	3.500	3.875	0.375	\$5.42	EA
BT-30880 WIPER	3.500	4.000	0.500	\$5.81	EA
BT-31080 WIPER	3.625	4.125	0.250	\$6.00	EA
BT-31280 WIPER	3.750	4.250	0.250	\$6.05	EA
BT-40080 WIPER	4.000	4.500	0.250	\$6.21	EA
BT-40480 WIPER	4.250	4.750	0.250	\$6.74	EA
BT-40880 WIPER	4.500	5.000	0.500	\$7.06	EA
BT-41581 WIPER	4.925	5.489	0.500	\$7.96	EA

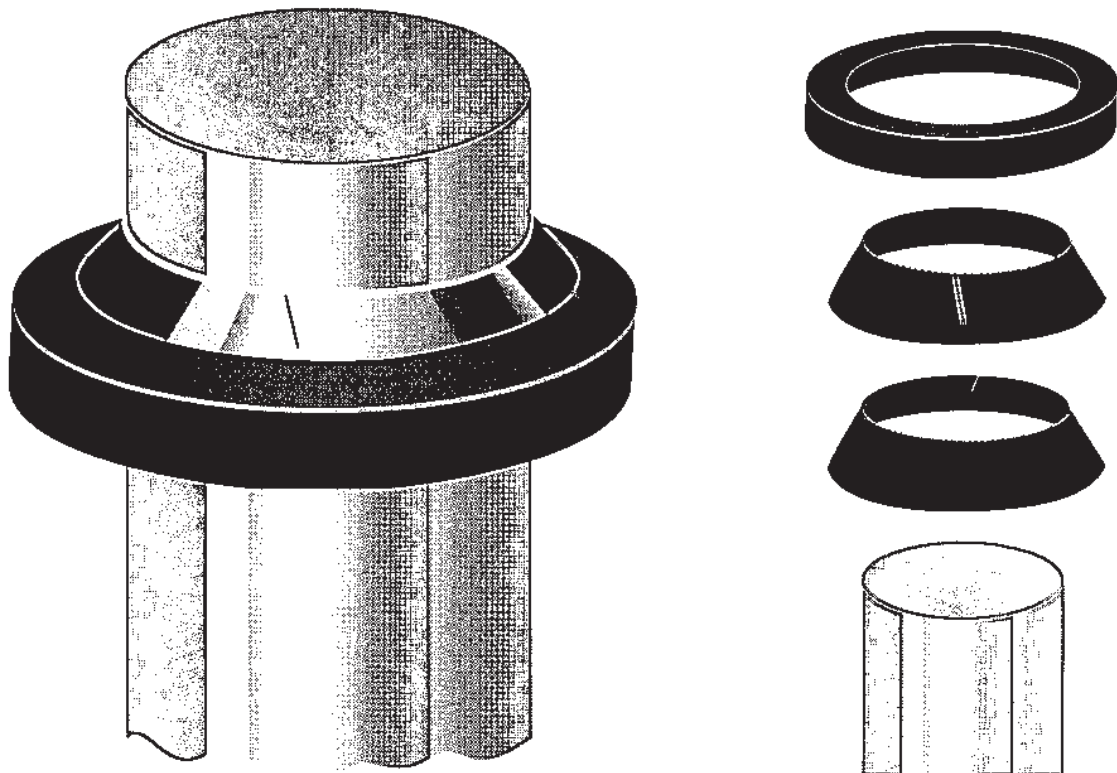
BRASS WIPERS

METALLIC ROD WIPERS

**YOUR PACKINGS WILL SEAL BETTER AND LAST LONGER
BECAUSE WEAR-COMPENSATED SEAL-GUARDS GIVE
RODS A "CLEAN SHAVE"!**

**KEEP OUT SAND, GRIT, SLAG, RUST, FLUX, PAINT, MACHINE
CHIPS AND SLIVERS.**

**PROTECT YOUR CYLINDER ROD SEALS, CYLINDER PACKINGS,
BEARINGS, COLUMNS, MACHINE SPINDLES, GUIDE PINS AND
OTHER CYLINDRICAL SURFACES WITH SEAL GUARD WIPERS.**



Exploded view shows the two flexible metal scraper rings and rubber cushion ring.

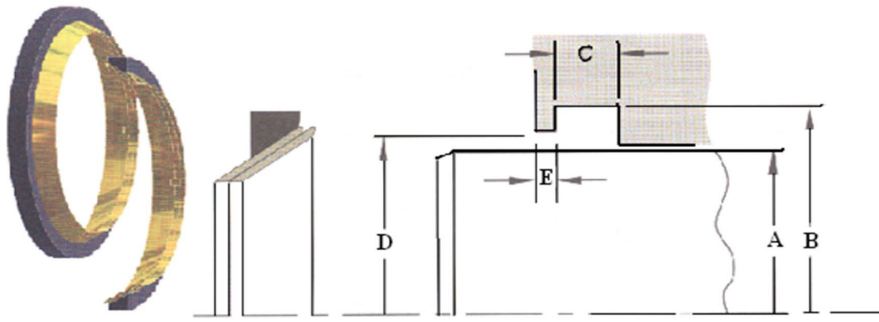
SEAL-GUARD metallic rod wipers are ideal for use wherever round shafts slide in closely fitted housings. They come in a wide variety of sizes to meet all your requirements.

Each SEAL-GUARD contains two wear compensated flexible brass or bronze rings encased in a synthetic rubber cushion. The cushion ring absorbs side loads and, under compression, exerts

a steady inward force to keep the conical surfaces of both metal rings in full circular contact with the rod. The knife edges of these specially slotted metal rings effectively lift or shave all foreign materials off the surface of the rod.

SEAL-GUARDS are self-adjusting and create very little friction. They seldom require replacement, and are simple to install.

SEAL GUARD ROD SCRAPERS



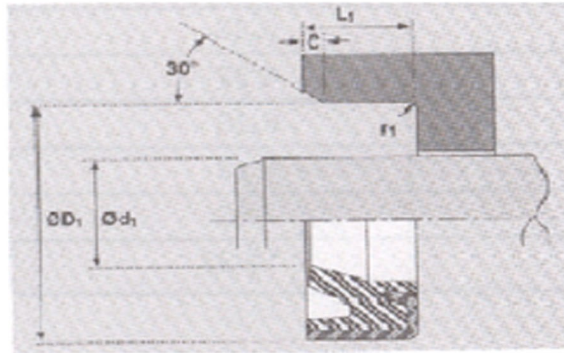
SEAL GUARD ROD SCRAPERS S - STYLE

ITEM DESCRIPTION	DIMENSIONS			HEIGHT	PRICE	UOM
	ROD	THROAT	GROOVE			
3435-0500 -Seal Guard	0.500	0.714	0.750	0.125	\$18.86	EA
3435-0625 -Seal Guard	0.625	0.839	0.875	0.125	\$18.86	EA
3435-0750 -Seal Guard	0.750	0.964	1.000	0.125	\$18.86	EA
3435-1000 -Seal Guard	1.000	1.214	1.250	0.125	\$20.29	EA
3435-1250 -Seal Guard	1.250	1.582	1.625	0.188	\$26.24	EA
3436-1375 -Seal Guard/VIT	1.375	1.707	1.750	0.188	\$36.84	EA
3436-1375 -Seal Guard	1.375	1.707	1.750	0.188	\$28.85	EA
3436-1375 -Seal Guard/TEF	1.375	1.707	1.750	0.188	\$55.20	EA
3436-1500 -Seal Guard	1.500	1.832	1.875	0.188	\$34.05	EA
3436-1625 -Seal Guard	1.625	1.957	2.000	0.188	\$36.71	EA
3436-1750 -Seal Guard	1.750	2.082	2.125	0.188	\$37.28	EA
3436-1750 -Seal Guard/VIT	1.750	2.082	2.125	0.188	\$53.13	EA
3436-1750 -Seal Guard/TEF	1.750	2.082	2.125	0.188	\$71.94	EA
3436-1875 -Seal Guard	1.875	2.207	2.250	0.188	\$39.91	EA
3436-2000 -Seal Guard	2.000	2.332	2.375	0.188	\$42.07	EA
3436-2000 -Seal Guard/TEF	2.000	2.332	2.375	0.188	\$81.84	EA
3436-2000 -Seal Guard/WITH VITON	2.000	2.332	2.375	0.188	\$81.84	EA
3436-2125 -Seal Guard	2.125	2.457	2.500	0.188	\$44.68	EA
3436-2250 -Seal Guard	2.250	2.582	2.625	0.188	\$47.44	EA
3436-2500 -Seal Guard	2.500	2.832	2.875	0.188	\$52.86	EA
3437-2000 -Seal Guard	2.000	2.44	2.500	0.188	\$32.20	EA
3436-2500 -Seal Guard/VITON	2.500	2.832	2.875	0.188	\$74.48	EA
3436-2500 -Seal Guard/TFE	2.500	2.832	2.875	0.188	\$107.21	EA
3437-2250 -Seal Guard	2.250	2.69	2.750	0.188	\$36.12	EA
3437-2500 -Seal Guard	2.500	2.94	3.000	0.188	\$43.84	EA
3436-3000 -Seal Guard	3.000	3.440	3.500	0.250	\$128.55	EA
3437-3000 -Seal Guard	3.000	3.440	3.500	0.250	\$130.73	EA
3437-3250 -Seal Guard	3.250	3.690	3.750	0.250	\$85.90	EA
3436-3500 -Seal Guard	3.500	3.940	4.000	0.250	\$107.42	EA
3437-3500 -Seal Guard	3.500	3.940	4.000	0.250	\$161.57	EA
3436-4000 -Seal Guard	4.000	4.440	4.500	0.250	\$150.71	EA
3437-4250 -Seal Guard	4.250	4.690	4.750	0.250	\$215.95	EA
3438-4500 -Seal Guard	4.500	5.160	5.250	0.375	\$285.49	EA
3438-5000 -Seal Guard	5.000	5.660	5.750	0.375	\$418.88	EA
3438-5500 -Seal Guard	5.500	6.160	6.250	0.375	\$485.55	EA
3438-6000 -Seal Guard	6.000	6.660	6.750	0.375	\$552.23	EA
3438-7000 -Seal Guard	7.000	7.640	7.750	0.375	\$596.51	EA
3438-7000 -VITON Seal Guard	7.000	7.640	7.750	0.375	\$920.00	EA
3438-8000 -VITON Seal Guard	8.000	8.660	8.750	0.375	\$518.85	EA
3438-9.500 -VITON Seal Guard	9.500				\$542.76	EA
SWC-3437-300 SCRAPER	SWC-3437-300				\$147.77	EA

METAL CASE WIPER

WITH NITRILE LIP

CWN - CROSS SECTION



METAL CASE WIPERS WITH NITRILE LIP

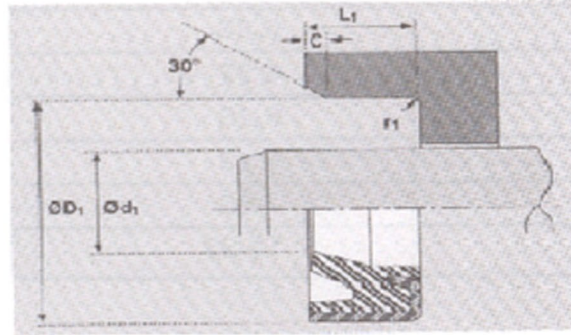
ITEM DESCRIPTION	DIMENSIONS			LIST PRICE	UOM	
	Shaft	Bore	Height			
CWN-0250	1/4 X 3/4 X 1/4	0.250	0.750	0.250	\$3.59	EA
CWN-0500	3/4 X 1-0/0 X 1/8	0.500	0.750	0.125	\$7.84	EA
CWN-0750	3/4 X 1-0/0 X 1/8	0.750	1.000	0.125	\$4.46	EA
CWN-0751	3/4 X 1-1/8 X 3/16	0.750	1.125	0.187	\$4.98	EA
CWN-0873	7/8 X 1-1/8 X 1/8	0.875	1.125	0.125	\$3.59	EA
CWN-0875	7/8 X 1-1/4 X 3/16	0.875	1.250	0.187	\$2.95	EA
CWN-1001	1-0/0 X 1-1/4 X 1/8	1.000	1.250	0.125	\$4.66	EA
CWN-1003	1-0/0 X 1-3/8 X 3/16	1.000	1.375	0.187	\$4.86	EA
CWN-1004	1-0/0 X 1-7/16 X 1/4	1.000	1.437	0.250	\$3.98	EA
CWN-1005	1-0/0 X 1-1/2 X 3/16	1.000	1.500	0.187	\$3.94	EA
CWN-1007	1-1/16 X 1-1/2 X 3/16	1.062	1.500	0.187	\$5.26	EA
CWN-1125	1-1/8 X 1-1/2 X 3/16	1.125	1.500	0.187	\$5.26	EA
CWN-1126	1-1/8 X 1-3/8 X 1/8	1.125	1.375	0.125	\$5.26	EA
CWN-1127	1-1/8 X 1-9/16 X 1/4	1.125	1.562	0.250	\$5.58	EA
CWN-1129	1-1/8 X 1-5/8 X 1/4	1.125	1.625	0.250	\$5.58	EA
CWN-1251	1-1/4 X 1-1/2 X 1/8	1.250	1.500	0.125	\$4.22	EA
CWN-1253	1-1/4 X 1-11/16 X 3/16	1.250	1.687	0.187	\$5.78	EA
CWN-1254	1-1/4 X 1-7/8 X 1/4	1.250	1.875	0.250	\$5.98	EA
CWN-1375	1-3/8 X 1-3/4 X 3/16	1.375	1.750	0.187	\$5.38	EA
CWN-1376	1-3/8 X 1-7/8 X 1/4	1.375	1.875	0.250	\$4.25	EA
CWN-1377	1-3/8 X 1-5/8 X 3.16	1.375	1.625	0.187	\$4.36	EA
CWN-1502	1-1/2 X 1-7/8 X 1/4	1.500	1.875	0.250	\$5.05	EA
CWN-1503	1-1/2 X 1-7/8 X 3/16	1.500	1.875	0.187	\$3.98	EA
CWN-1504	1-1/2 X 2-0/0 X 1/4	1.500	2.000	0.250	\$5.05	EA
CWN-1624	1-1/2 X 2-0/0 X 3/16	1.500	2.000	0.187	\$5.05	EA
CWN-1625	1-1/2 X 2-1/4 X 1/4	1.500	2.250	0.250	\$4.64	EA
CWN-1627	1-5/8 X 2-1/8 X 1/4	1.625	2.125	0.250	\$4.38	EA
CWN-1753	1-3/4 X 2-1/8 X 3/16	1.750	2.125	0.187	\$6.26	EA
CWN-1754	1-3/4 X 2-1/4 X 1/4	1.750	2.250	0.250	\$4.38	EA
CWN-1755	1-3/4 X 2-3/8 X 1/4	1.750	2.375	0.250	\$4.78	EA
CWN-1756	1-3/4 X 2-5/8 X 1/4	1.750	2.625	0.250	\$10.68	EA

METAL CASE WIPERS WITH NITRILE LIP						
ITEM DESCRIPTION		DIMENSIONS			LIST PRICE	UOM
		Shaft	Bore	Height		
<i>CWN-1877</i>	1-7/8 X 2-1/4 X 3/16	1.875	2.250	0.187	\$5.18	EA
<i>CWN-1879</i>	1-7/8 X 2-1/2 X 1/4	1.875	2.500	0.250	\$5.66	EA
<i>CWN-2001</i>	2-0/0 X 2-3/8 X 3/16	2.000	2.375	0.187	\$4.34	EA
<i>CWN-2002</i>	2-0/0 X 2-5/8 X 1/4	2.000	2.625	0.250	\$7.29	EA
<i>CWN-2003</i>	2-0/0 X 2-1/2 X 1/4	2.000	2.500	0.250	\$6.08	EA
<i>CWN-2252</i>	2-1/8 X 2-1/2 X 3/16	2.125	2.500	0.187	\$5.34	EA
<i>CWN-2251</i>	2-1/4 X 2-5/8 X 1/4	2.250	2.625	0.250	\$5.98	EA
<i>CWN-2253</i>	2-1/4 X 2-3/4 X 1/4	2.250	2.750	0.250	\$9.50	EA
<i>CWN-2255</i>	2-1/4 X 2-7/8 X 1/4	2.250	2.875	0.250	\$7.23	EA
<i>CWN-2501</i>	2-1/2 X 3-0/0 X 1/4	2.500	3.000	0.250	\$9.96	EA
<i>CWN-2503</i>	2-1/2 X 3-1/8 X 1/4	2.500	3.125	0.250	\$9.96	EA
<i>CWN-2751</i>	2-3/4 X 3-1/8 X 3/16	2.750	3.125	0.187	\$10.29	EA
<i>CWN-2756</i>	2-3/4 X 3-3/4 X 3/8	2.750	3.750	0.375	\$13.61	EA
<i>CWN-3001</i>	3-0/0 X 3-1/2 X 1/4	3.000	3.500	0.250	\$11.09	EA
<i>CWN-3002</i>	3-0/0 X 4-0/0 X 1/2	3.000	4.000	0.500	\$11.36	EA
<i>CWN-3501</i>	3-1/2 X 4-0/0 X 1/4	3.500	4.000	0.250	\$14.61	EA

**QUALITY AND
RELIABLE SERVICE!
LOW SHIPPING
COSTS!**

METAL CASE WIPER WITH URETHANE LIP

CWU - CROSS SECTION



METAL CASE WIPERS WITH URETHANE LIP

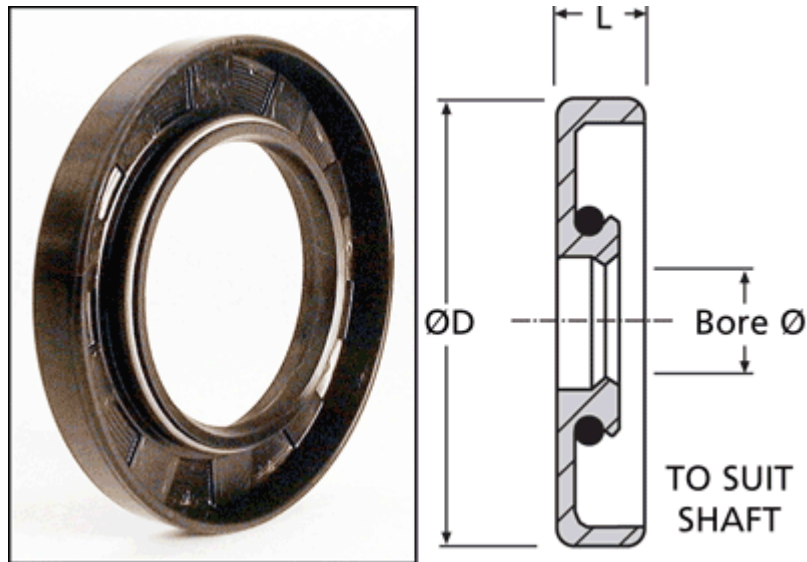
ITEM DESCRIPTION		DIMENSIONS			LIST PRICE	UOM
		Shaft	Bore	Height		
CWU-0500	1/2 X 1-0/0 X 1/4	0.500	1.000	0.250	\$5.14	EA
CWU-0625	5/8 X 1-1/8 X 5/16	0.625	1.125	0.312	\$5.55	EA
CWU-0750	3/4 X 1-1/4 X 1/4	0.750	1.250	0.250	\$5.85	EA
CWU-0751	3/4 X 1-1/4 X 5/16	0.750	1.250	0.312	\$5.85	EA
CWU-0875	7/8 X 1-3/8 X 5/16	0.875	1.375	0.312	\$5.91	EA
CWU-1000	1-0/0 X 1-1/2 X 5/16	1.000	1.500	0.312	\$6.57	EA
CWU-1125	1-1/8 X 1-5/8 X 5/16	1.125	1.625	0.312	\$8.01	EA
CWU-1251	1-1/4 X 1-3/4 X 1/4	1.250	1.750	0.250	\$8.48	EA
CWU-1250	1-1/4 X 1-3/4 X 5/16	1.250	1.750	0.312	\$8.89	EA
CWU-1375	1-3/8 X 1-7/8 X 5/16	1.375	1.875	0.312	\$8.90	EA
CWU-1502	1-1/2 X 1-7/8 X 1/4	1.500	1.875	0.250	\$8.28	EA
CWU-1501	1-1/2 X 2-0/0 X 1/4	1.500	2.000	0.250	\$9.11	EA
CWU-1500	1-1/2 X 2-0/0 X 5/16	1.500	2.000	0.312	\$9.62	EA
CWU-1506	1-1/2 X 2-1/4 X 3/8	1.500	2.250	0.375	\$10.04	EA
CWU-1625	1-5/8 X 2-1/8 X 5/16	1.625	2.125	0.312	\$10.45	EA
CWU-1751	1-3/4 X 2-1/4 X 1/4	1.750	2.250	0.250	\$10.22	EA
CWU-1750	1-3/4 X 2-1/4 X 5/16	1.750	2.250	0.312	\$10.45	EA
CWU-1755	1-3/4 X 2-7/16 X 3/8	1.750	2.437	0.375	\$10.45	EA
CWU-1875	1-7/8 X 2-3/8 X 5/16	1.875	2.375	0.312	\$10.75	EA
CWU-2001	2-0/0 X 2-1/2 X 1/4	2.000	2.500	0.250	\$10.93	EA
CWU-2000	2-0/0 X 2-1/2 X 5/16	2.000	2.500	0.312	\$11.23	EA
CWU-2002	2-0/0 X 2-5/8 X 1/4	2.000	2.625	0.250	\$11.53	EA
CWU-2006	2-0/0 X 2-11/16 X 3/8	2.000	2.687	0.375	\$11.53	EA
CWU-2125	2-1/8 X 2-7/8 X 3/8	2.000	2.687	0.375	\$13.56	EA
CWU-2251	2-1/4 X 2-3/4 X 1/4	2.250	2.750	0.250	\$11.77	EA
CWU-2250	2-1/4 X 2-3/4 X 5/16	2.250	2.750	0.312	\$11.95	EA
CWU-2253	2-1/4 X 3-0/0 X 3/8	2.250	3.000	0.375	\$12.49	EA
CWU-2375	2-3/8 X 2-7/8 X 5/16	2.375	2.875	0.312	\$13.98	EA
CWU-2376	2-3/8 X 3-1/8 X 3/8	2.375	3.125	0.375	\$14.99	EA
CWU-2500	2-1/2 X 3-0/0 X 5/16	2.500	3.000	0.312	\$15.23	EA
CWU-2502	2-1/2 X 3-1/4 X 3/8	2.500	3.250	0.375	\$15.71	EA

METAL CASE WIPERS WITH URETHANE LIP

ITEM DESCRIPTION		DIMENSIONS			LIST PRICE	UOM
		Shaft	Bore	Height		
CWU-2624	2-5/8 X 3-1/8 X 5/16	2.624	3.125	0.312	\$13.21	EA
CWU-2750	2-3/4 X 3-1/4 X 5/16	2.750	3.250	0.312	\$16.31	EA
CWU-2751	2-3/4 X 3-1/2 X 1/4	2.750	3.500	0.250	\$16.73	EA
CWU-2755	2-3/4 X 3-3/4 X 1/2	2.750	3.750	0.500	\$17.09	EA
CWU-3000	3-0/0 X 3-1/2 X 5/16	3.000	3.500	0.312	\$17.80	EA
CWU-3005	3-0/0 X 3-3/4 X 1/4	3.000	3.750	0.250	\$18.46	EA
CWU-3002	3-0/0 X 4-0/0 X 1/2	3.000	4.000	0.500	\$18.82	EA
CWU-3254	3-1/4 X 3-3/4 X 5/16	3.250	3.750	0.312	\$11.07	EA
CWU-3251	3-1/4 X 3-7/8 X 5/16	3.250	3.875	0.312	\$20.91	EA
CWU-3252	3-1/4 X 4-0/0 X 1/4	3.250	4.000	0.250	\$21.15	EA
CWU-3253	3-1/4 X 4-1/4 X 1/2	3.250	4.250	0.500	\$21.45	EA
CWU-3500	3-1/2 X 4-0/0 X 5/16	3.500	4.000	0.312	\$23.18	EA
CWU-3502	3-1/2 X 4-1/8 X 5/16	3.500	4.125	0.312	\$23.36	EA
CWU-3503	3-1/2 X 4-1/4 X 1/4	3.500	4.250	0.250	\$23.72	EA
CWU-3506	3-1/2 X 4-1/4 X 5/16	3.500	4.250	0.312	\$23.72	EA
CWU-3508	3-1/2 X 4-1/2 X 1/2	3.500	4.500	0.500	\$23.90	EA
CWU-3754	3-3/4 X 4-3/8 X 5/16	3.750	4.375	0.312	\$25.63	EA
CWU-3750	3-3/4 X 4-1/2 X 5/16	3.750	4.500	0.312	\$25.63	EA
CWU-3751	3-3/4 X 4-3/4 X 1/2	3.750	4.750	0.500	\$25.75	EA
CWU-4001	4-0/0 X 4-5/8 X 5/16	4.000	4.625	0.312	\$27.66	EA
CWU-4002	4-0/0 X 4-3/4 X 5/16	4.000	4.750	0.312	\$27.84	EA
CWU-4000	4-0/0 X 5-0/0 X 1/2	4.000	5.000	0.500	\$28.50	EA
CWU-4252	4-1/4 X 5-1/4 X 1/2	4.250	5.250	0.500	\$35.90	EA
CWU-4375	4-3/8 X 5-0/0 X 5/16	4.375	5.000	0.312	\$28.34	EA
CWU-4502	4-1/2 X 5-1/2 X 5/16	4.500	5.500	0.312	\$44.69	EA
CWU-4501	4-1/2 X 5-1/2 X 1/2	4.500	5.500	0.500	\$45.52	EA
CWU-4750	4-3/4 X 5-3/8 X 5/16	4.750	5.375	0.312	\$46.12	EA
CWU-4751	4-3/4 X 5-3/4 X 1/2	4.750	5.750	0.500	\$48.45	EA
CWU-5001	5-0/0 X 5-3/4 X 5/16	5.000	5.750	0.312	\$56.93	EA
CWU-5251	5-1/4 X 6-0/0 X 5/16	5.250	6.000	0.312	\$60.28	EA
CWU-6001	6-0/0 X 7-0/0 X 1/2	6.000	7.000	0.500	\$79.40	EA
CWU-7002	7-0/0 X 8-0/0 X 1/2	7.000	8.000	0.500	\$116.08	EA

1-800-233-8585

Standard Oil Seals



Type A Single Lip-Rubber Coated w/Spring

TECHNICAL DETAILS

DIN: 3760 Standard.

Other known types: SC, BA, WA, DG, CB, HMS4, Type 35, Model 92, BAUX2.

Common Materials: NBR, VITON, Silicone, EPDM, Polyacrylate, Neoprene.

Spring make: Carbon Steel – Stainless Available.

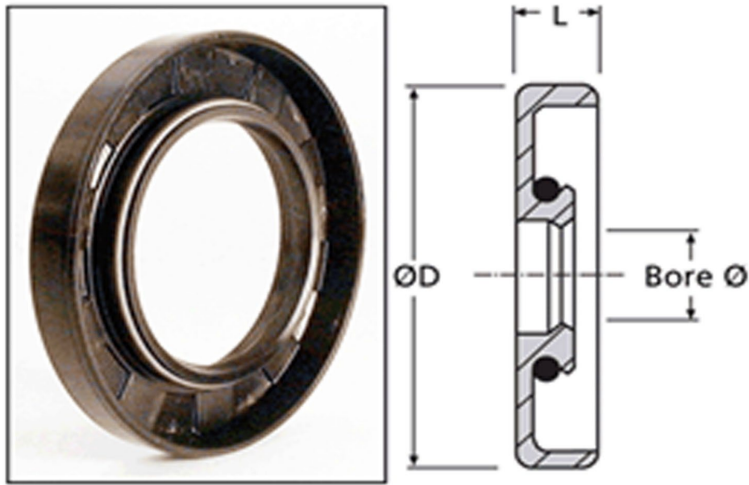
Pressure Rating: Max 7 psi.

Mounting: Press-fit.

Comments: Common grease seal type. Rotary Motion Only.

Generally used for sealing lower pressure (up to 0.5 bar/7psi) fluids or heavy greases depending on shaft speed. If a backup ring is used, it can operate at medium pressure (4 bar/57psi).

OIL SEALS



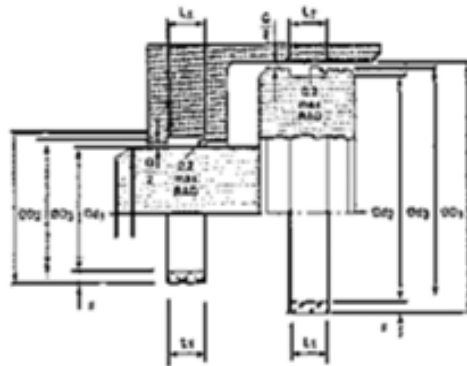
OIL SEALS

ITEM DESCRIPTION		DIMENSIONS			LIST PRICE	UOM
		Shaft	Bore	Height		
7/16 X 7/8 X 1/4	OIL SEAL	0.437	0.875	0.250	\$6.58	EA
7/16 X 1-0 X 1/4	OIL SEAL	0.437	1.000	0.250	\$6.58	EA
1/2 X 7/8 X 1/4	OIL SEAL	0.500	0.875	0.250	\$6.58	EA
1/2 X 1-0 X 1/4	OIL SEAL	0.500	1.000	0.250	\$6.58	EA
1/2 X 1-1/8 X 1/4	OIL SEAL	0.500	1.125	0.250	\$6.58	EA
5/8 X 7/8 X 1/8	OIL SEAL	0.625	0.875	0.125	\$7.64	EA
5/8 X 1-1/4 X 1/4	OIL SEAL	0.625	1.250	0.250	\$7.64	EA
11/16 X 1-1/8 X 1/4	OIL SEAL	0.687	1.125	0.250	\$7.64	EA
3/4 X 1-1/8 X 1/4	OIL SEAL	0.750	1.125	0.250	\$7.64	EA
3/4 X 1-1/4 X 1/4	OIL SEAL	0.750	1.250	0.250	\$7.64	EA
3/4 X 1-1/2 X 1/4	OIL SEAL	0.750	1.500	0.250	\$7.89	EA
3/4 X 1-5/8 X 1/4	OIL SEAL	0.750	1.625	0.250	\$9.65	EA
13/16 X 1-1/8 X 1/4	OIL SEAL	0.812	1.125	0.250	\$6.86	EA
13/16 X 1-3/8 X 1/4	OIL SEAL	0.812	1.375	0.250	\$7.35	EA
7/8 X 1-1/8 X 1/8	OIL SEAL	0.875	1.125	0.125	\$7.35	EA
7/8 X 1-1/4 X 3/16	OIL SEAL	0.875	1.250	0.187	\$7.35	EA
7/8 X 1-1/2 X 1/4	OIL SEAL	0.875	1.500	0.250	\$7.89	EA
7/8 X 1-5/8 X 1/4	OIL SEAL	0.875	1.625	0.250	\$7.49	EA
15/16 X 1-1/2 X 5/16	OIL SEAL	0.937	1.500	0.312	\$7.35	EA
1-0 X 1-1/4 X 1/8	OIL SEAL	1.000	1.250	0.125	\$7.71	EA
1-0 X 1-3/8 X 1/4	OIL SEAL	1.000	1.375	0.250	\$7.35	EA
1-0 X 1-1/2 X 1/4	OIL SEAL	1.000	1.500	0.250	\$9.16	EA
1-0 X 1-5/8 X 1/4	OIL SEAL	1.000	1.625	0.250	\$8.33	EA
1-0 X 1-11/16 X 1/4	OIL SEAL	1.000	1.687	0.250	\$9.69	EA
1-0 X 1-3/4 X 1/4	OIL SEAL	1.000	1.750	0.250	\$8.33	EA
1-1/8 X 1-1/2 X 3/16	OIL SEAL	1.125	1.500	0.187	\$7.89	EA
1-1/8 X 1-5/8 X 1/4	OIL SEAL	1.125	1.625	0.250	\$8.33	EA
1-3/16 X 1-7/8 X 1/4	OIL SEAL	1.187	1.875	0.250	\$9.69	EA

OIL SEALS

ITEM DESCRIPTION	DIMENSIONS			LIST PRICE	UOM
	Shaft	Bore	Height		
1-3/16 X 2-0 X 1/4 OIL SEAL	1.187	2.000	0.250	\$9.69	EA
1-1/4 X 1-11/16 X 1/4 OIL SEAL	1.250	1.687	0.250	\$9.70	EA
1-1/4 X 1-3/4 X 1/4 OIL SEAL	1.250	1.750	0.250	\$8.33	EA
1-1/4 X 1-7/8 X 1/4 OIL SEAL	1.250	1.875	0.250	\$8.62	EA
1-1/4 X 2-1/8 X 1/4 OIL SEAL	1.250	2.125	0.250	\$10.63	EA
1-5/16 X 2-1/8 X 5/16 OIL SEAL	1.312	2.125	0.312	\$9.69	EA
1-3/8 X 1-3/4 X 3/16 OIL SEAL	1.375	1.750	0.187	\$9.22	EA
1-3/8 X 2-0 X 5/16 OIL SEAL	1.375	2.000	0.312	\$9.21	EA
1-3/8 X 2-1/8 X 5/16 OIL SEAL	1.375	2.125	0.312	\$9.21	EA
1-3/8 X 2-1/4 X 5/16 OIL SEAL	1.375	2.250	0.312	\$11.25	EA
1-3/8 X 2-3/8 X 5/16 OIL SEAL	1.375	2.375	0.312	\$10.23	EA
1-7/16 X 2-1/8 X 1/4 OIL SEAL	1.437	2.125	0.250	\$9.21	EA
1-7/16 X 2-5/16 X 3/8 OIL SEAL	1.437	2.312	0.375	\$10.42	EA
1-7/16 X 2-3/8 X 5/16 OIL SEAL	1.437	2.375	0.312	\$11.79	EA
1-1/2 X 1-7/8 X 1/4 OIL SEAL	1.500	1.875	0.250	\$9.84	EA
1-1/2 X 2-0 X 1/4 OIL SEAL	1.500	2.000	0.250	\$9.21	EA
1-1/2 X 2-1/16 X 7/16 OIL SEAL	1.500	2.062	0.437	\$10.23	EA
1-1/2 X 2-1/8 X 5/16 OIL SEAL	1.500	2.125	0.312	\$9.16	EA
1-1/2 X 2-1/4 X 5/16 OIL SEAL	1.500	2.250	0.312	\$9.74	EA
1-9/16 X 2-3/8 X 5/16 OIL SEAL	1.562	2.375	0.312	\$11.79	EA
1-9/16 X 2-7/16 X 5/16 OIL SEAL	1.562	2.437	0.312	\$11.74	EA
1-9/16 X 2-5/8 X 5/16 OIL SEAL	1.562	2.625	0.312	\$11.01	EA
1-5/8 X 2-3/8 X 3/8 OIL SEAL	1.625	2.375	0.375	\$10.23	EA
1-5/8 X 2-1/2 X 5/16 OIL SEAL	1.625	2.500	0.312	\$10.23	EA
1-5/8 X 2-5/8 X 5/16 OIL SEAL	1.625	2.625	0.312	\$11.45	EA
1-11/16 X 2-3/8 X 5/16 OIL SEAL	1.687	2.375	0.312	\$11.45	EA
1-3/4 X 2-3/8 X 5/16 OIL SEAL	1.750	2.375	0.312	\$10.23	EA
1-3/4 X 2-1/2 X 5/16 OIL SEAL	1.750	2.500	0.312	\$10.23	EA
1-3/4 X 2-5/8 X 1/4 OIL SEAL	1.750	2.625	0.250	\$12.71	EA
1-3/4 X 2-3/4 X 5/16 OIL SEAL	1.750	2.750	0.312	\$12.71	EA
1-7/8 X 2-5/8 X 5/16 OIL SEAL	1.875	2.625	0.312	\$11.45	EA
1-7/8 X 2-3/4 X 5/16 OIL SEAL	1.875	2.750	0.312	\$12.71	EA
1-7/8 X 2-7/8 X 5/16 OIL SEAL	1.875	2.875	0.312	\$13.84	EA
2-0 X 2-5/8 X 5/16 OIL SEAL	2.000	2.625	0.312	\$11.45	EA
2-0 X 3-0 X 5/16 OIL SEAL	2.000	3.000	0.312	\$13.31	EA
2-1/8 X 2-3/4 X 3/8 OIL SEAL	2.125	2.750	0.375	\$11.45	EA
2-1/2 X 3-1/8 X 1/4 OIL SEAL	2.500	3.125	0.250	\$11.45	EA
2-1/2 X 3-1/2 X 1/2 OIL SEAL	2.500	3.500	0.500	\$11.45	EA

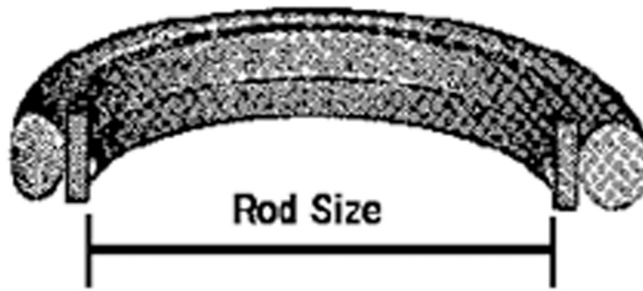
ROD BUFFER RINGS



ROD BUFFER RINGS

ITEM DESCRIPTION	ROD	LIST PRICE	UOM
4T6778 ROD BUFFER RING	1.875	\$4.43	EA
4T66127 ROD BUFFER RING	2.125	\$9.67	EA
5J3616 ROD BUFFER RING	2.250	\$15.60	EA
5J3620 ROD BUFFER RING	2.500	\$10.87	EA
6J6553 ROD BUFFER RING	2.750	\$12.21	EA
6J6736 ROD BUFFER RING	3.500	\$13.65	EA
6J6915 ROD BUFFER RING	3.000	\$12.21	EA
6J6916 ROD BUFFER RING	2.375	\$10.72	EA
6J6917 ROD BUFFER RING	2.000	\$5.59	EA
6J7167 ROD BUFFER RING	3.250	\$13.01	EA
6J8631 ROD BUFFER RING	6.500	\$20.36	EA
9J3497 ROD BUFFER RING	1.250	\$8.88	EA
1.375 ROD BUFFER RING	1.375	\$6.66	EA
6J9178 ROD BUFFER RING	1.750	\$5.21	EA
6J9733 ROD BUFFER RING	1.500	\$7.00	EA
1- 1/2 X 2 TYPE 167 PR RING	1.500	\$4.73	EA
7J8943 ROD BUFFER RING	4.250	\$15.37	EA
7J9257 ROD BUFFER RING	4.750	\$16.55	EA
8J6070 ROD BUFFER RING	3.750	\$14.52	EA
9J2495 ROD BUFFER RING	7.000	\$20.62	EA
8J4509 ROD BUFFER RING	5.000	\$19.15	EA
8J4627 ROD BUFFER RING	4.000	\$9.46	EA

CATERPILLAR SPECIFIC BUFFER SEALS



BRONZE ROD BUFFER SEALS - TWO PIECE

ITEM DESCRIPTION	ROD	LIST PRICE	UOM
8C9122 BRONZE BUFFER RING	1.500	\$11.79	EA
8C9117 BRONZE BUFFER RING	1.625	\$11.79	EA
8C9123 BRONZE BUFFER RING	1.750	\$11.79	EA
8C9124 BRONZE BUFFER RING	2.000	\$12.13	EA
8C9125 BRONZE BUFFER RING	2.250	\$13.11	EA
8C9138 BRONZE BUFFER RING	2.375	\$13.79	EA
8C3839 BRONZE BUFFER RING	2.500	\$13.79	EA
8C3841 BRONZE BUFFER RING	2.750	\$14.99	EA
8C9126 BRONZE BUFFER RING	3.000	\$15.08	EA
8C9121 BRONZE BUFFER RING	3.250	\$15.93	EA
8C9127 BRONZE BUFFER RING	3.500	\$16.08	EA
8C9128 BRONZE BUFFER RING	3.750	\$16.56	EA
8C9129 BRONZE BUFFER RING	4.000	\$19.60	EA
6E0425 BRONZE BUFFER RING	4.250	\$44.15	EA
8C9144 BRONZE BUFFER RING	4.500	\$44.60	EA
9X7261 BRONZE BUFFER RING	4.750	\$45.30	EA
9X3581 BRONZE BUFFER RING	5.000	\$46.69	EA
8C9145 BRONZE BUFFER RING	6.750	\$57.42	EA
8C9130 BRONZE BUFFER RING	7.000	\$64.17	EA

BRONZE BUFFER SEALS

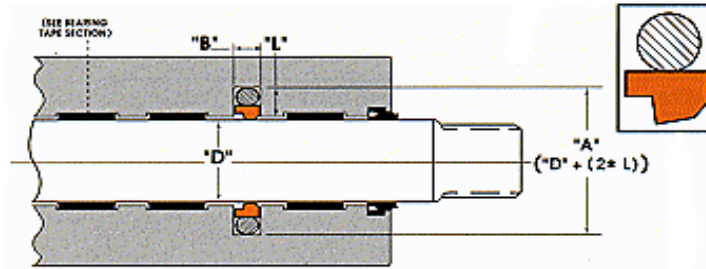
Max Recommended Diametral Clearance

<i>Loader C/S</i>	<i>@ 1000 PSI</i>	<i>@ 3000 PSI</i>	<i>@ 5000 PSI</i>
-1 (3/32)	.012"	.006"	.004"
-2 (1/8)	.016"	.008"	.006"
-3 (3/16)	.020"	.010"	.008"
-4 (1/4)	.024"	.012"	.010"
Minimize clearances for optimum performance.			

DESIGNED FOR:

- **Sealing at High & Low System Pressure**
- **Stability that is Unaffected by Pressure, Shock, or Rod Velocity**
- **Self-Relieving Performance to Prevent Pressure Entrapment**
- **Low Friction in Static (break away) & Dynamic (run) Applications**
- **Versatile Use in Rotary, Reciprocating or Helical Applications**
- **Exceptional Chemical Compatibility**
- **Continuous Temperature Durability**
- **Simple Housing Groove**

SS BRONZE BUFFER SEAL



SS BRONZE BUFFER SEAL ASSEMBLIES

ITEM DESCRIPTION	ROD DIA.	GROOVE WIDTH	GROOVE DEPTH	LIST PRICE	UOM
SS-0075-1 BRZ BUFFER SEAL W / ENERGIZER	0.750	0.131	0.144	\$5.46	EA
SS-0100-1 BRZ BUFFER SEAL W / ENERGIZER	1.000	0.131	0.144	\$5.66	EA
SS-0125-1 BRZ BUFFER SEAL W / ENERGIZER	1.250	0.131	0.144	\$5.91	EA
SS-0150-1 BRZ BUFFER SEAL W / ENERGIZER	1.500	0.131	0.144	\$6.16	EA
SS-0175-1 BRZ BUFFER SEAL W / ENERGIZER	1.750	0.131	0.144	\$6.40	EA
SS-2500-1 BRZ BUFFER SEAL W / ENERGIZER	2.500	2.896	0.198	\$11.87	EA
SS-0150-2 BRZ BUFFER SEAL W / ENERGIZER	1.500	0.171	0.211	\$8.94	EA
SS-0175-2 BRZ BUFFER SEAL W / ENERGIZER	1.750	0.171	0.211	\$9.18	EA
SS-0200-2 BRZ BUFFER SEAL W / ENERGIZER	2.000	0.171	0.211	\$9.48	EA
SS-0187-2 BRZ BUFFER SEAL W / ENERGIZER	1.187	0.171	0.211	\$5.05	EA
SS-0225-2 BRZ BUFFER SEAL W / ENERGIZER	2.250	0.171	0.211	\$9.53	EA
SS-0250-2 BRZ BUFFER SEAL W / ENERGIZER	2.500	0.171	0.211	\$9.58	EA
SS-0275-2 BRZ BUFFER SEAL W / ENERGIZER	2.750	0.171	0.211	\$10.02	EA
SS-0300-2 BRZ BUFFER SEAL W / ENERGIZER	3.000	0.171	0.211	\$10.33	EA
SS-0350-2 BRZ BUFFER SEAL W / ENERGIZER	3.500	0.171	0.211	\$15.65	EA
SS-0400-2 BRZ BUFFER SEAL W / ENERGIZER	4.000	0.171	0.211	\$31.89	EA

*Additional sizes may be available,
please call for further information.*

SS-0200-3 BRZ BUFFER SEAL W / ENERGIZER	2.000	0.252	0.297	\$11.07	EA
SS-0225-3 BRZ BUFFER SEAL W / ENERGIZER	2.250	0.252	0.297	\$9.18	EA
SS-0250-3 BRZ BUFFER SEAL W / ENERGIZER	2.500	0.252	0.297	\$11.72	EA
SS-0262-3 BRZ BUFFER SEAL W / ENERGIZER	2.262	0.252	0.297	\$14.27	EA
SS-0300-3 BRZ BUFFER SEAL W / ENERGIZER	3.000	0.252	0.297	\$14.84	EA
SS-0325-3 BRZ BUFFER SEAL W / ENERGIZER	3.250	0.252	0.297	\$15.64	EA
SS-0350-3 BRZ BUFFER SEAL W / ENERGIZER	3.500	0.252	0.297	\$15.64	EA
SS-0375-3 BRZ BUFFER SEAL W / ENERGIZER	3.750	0.252	0.297	\$15.89	EA
SS-0400-3 BRZ BUFFER SEAL W / ENERGIZER	4.000	0.252	0.297	\$16.38	EA
SS-0450-3 BRZ BUFFER SEAL W / ENERGIZER	4.500	0.252	0.297	\$23.00	EA
SS-0475-3 BRZ BUFFER SEAL W / ENERGIZER	4.750	0.252	0.297	\$47.06	EA
SS-0500-3 BRZ BUFFER SEAL W / ENERGIZER	5.000	0.252	0.297	\$28.50	EA
SS-0550-3 BRZ BUFFER SEAL W / ENERGIZER	5.500	0.252	0.297	\$32.07	EA

Precision Seals, Inc.
820 Honeysuckle Drive
Fultondale, AL 35068

SALES OFFICE HOURS
7 A.M. TO 5 P.M. CST
www.precisionseals.com

PHONE 205-631-7006
FAX 205-631-7032
TOLL FREE 800-233-8585

SS BRONZE BUFFER SEAL ASSEMBLIES

ITEM DESCRIPTION	ROD DIA.	GROOVE WIDTH	GROOVE DEPTH	LIST PRICE	UOM
SS-0600-3 BRZ BUFFER SEAL W / ENERGIZER	6.000	0.252	0.297	\$35.40	EA
SS-0700-3 BRZ BUFFER SEAL W / ENERGIZER	7.000	0.252	0.297	\$60.01	EA
SS-0800-3 BRZ BUFFER SEAL W / ENERGIZER	8.000	0.252	0.297	\$45.28	EA
SS-0900-3 BRZ BUFFER SEAL W / ENERGIZER	9.000	0.252	0.297		EA
SS-0450-4 BRZ BUFFER SEAL W / ENERGIZER	4.500	0.325	0.404	\$26.06	EA
SS-0500-4 BRZ BUFFER SEAL W / ENERGIZER	5.000	0.325	0.404	\$36.22	EA
SS-0550-4 BRZ BUFFER SEAL W / ENERGIZER	5.500	0.325	0.404	\$32.07	EA
SS-0600-4 BRZ BUFFER SEAL W / ENERGIZER	6.000	0.325	0.404	\$35.05	EA
SS-0700-4 BRZ BUFFER SEAL W / ENERGIZER	7.000	0.325	0.404	\$42.65	EA
SS-0800-4 BRZ BUFFER SEAL W / ENERGIZER	8.000	0.325	0.404	\$49.10	EA
RS4-05750-NBR	5.750	0.319	0.404	\$46.57	EA
RS40070000-741 BRONZE	7.000	0.325	0.404	TBD	EA
RS4-09*0000-NBR BRONZE	9.000	0.325	0.404	TBD	EA
SS-1000-4 BRZ BUFFER SEAL W / ENERGIZER	10.000	0.325	0.404	TBD	EA

*Thank you for allowing us
to serve your seal needs!*

VEE-STYLE **(CHEVRON) PACKING**

Vee-Packings (or vee-packs) are multiple-lip (chevron) seals comprised of a group of endless rings and are popular for sealing rods and pistons. They can be used for low or high-pressure applications and with single or double acting cylinders.

Precision Seals, Inc. presently stocks Female and Male Adapters (top and bottom) in nitrile and Vee-Rings (center rings) in fabric or buna. In general, fabric vees are for high pressure, and buna vees are for low pressure. The selection of fabric or buna compounds should be made on the basis of operating pressure, temperature, and the type of gaseous or fluid medium with which the packing must function.

CROSS SECTION	VEE HEIGHT	M & F ADAPTER HEIGHTS	STACK HEIGHTS OF VEE SETS WITH ADAPTERS					
			1 VEE	2 VEES	3 VEE	4 VEES	5 VEES	6 VEES
3/16	.094	.257	.351	.445	.539	.633	.727	.821
1/4	.125	.375	.500	.625	.750	.875	1.000	1.125
5/16	.156	.395	.551	.707	.863	1.019	1.175	1.331
3/8	.187	.411	.598	.785	.972	1.159	1.346	1.533
7/16	.218	.420	.638	.856	1.074	1.292	1.510	1.728
1/2	.250	.466	.716	.966	1.216	1.466	1.716	1.966
5/8	.312	.477	.789	1.101	1.413	1.725	2.037	2.349
3/4	.375	.556	.931	1.306	1.681	2.056	2.431	2.806

MATERIAL:

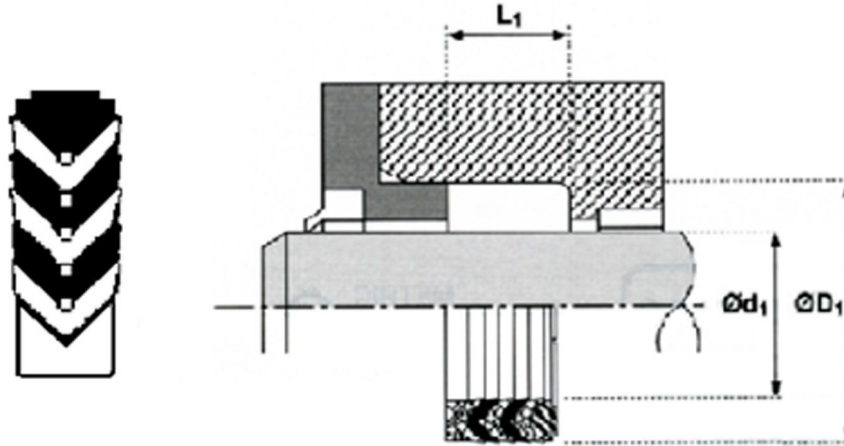
Fairprene NC-6048 is uncured neoprene coated cotton, which has a recommended operating temperature range of -40°F to 180°F when it is fully cured. This product is a high strength material for general-purpose use and can be processed into “hard” molded packings. The building tack life of these products is approximately three (3) months. Some typical properties of NC-6048 are listed below:

PHYSICAL PROPERTIES:

<u>NC-6048 Properties</u>	<u>Test Method</u>	<u>Typical Values</u>
Tensile (Strip), lbs	ASTM D-751	120 W
Burst (Mullens), psi	ASTM D-751	280
Adhesion, lbs/in 1”strip at 2”/min speed	ASTM D-751	4.0

Please note that the above values are typical values measured on fully cured material and that they should not be used as a specification. To fully determine a product’s suitability, we recommend that the material be tested in the intended application.

VEE-STYLE (CHEVRON)



VEE-STYLE (CHEVRON) PACKING

ITEM DESCRIPTION	I.D.	O.D.	C.S.	LIST PRICE	UOM
025-112 VEE SET 1-5-1	0.250	1.125	0.437	\$28.88	SET
037-750 VEE SET 1-5-1	0.375	0.750	0.187	\$12.86	SET
037-100 VEE SET 1-5-1	0.375	1.000	0.312	\$13.40	SET
050-087 VEE SET 1-5-1	0.500	0.875	0.187	\$12.16	SET
050-100 VEE SET 1-5-1	0.500	1.000	0.250	\$12.16	SET
050-112 VEE SET 1-5-1	0.500	1.125	0.312	\$12.16	SET
062-100 VEE SET 1-5-1	0.625	1.000	0.187	\$7.30	SET
062-112 VEE SET 1-5-1	0.625	1.125	0.250	\$8.54	SET
062-125 VEE SET 1-5-1	0.625	1.250	0.312	\$10.42	SET
075-112 VEE SET 1-5-1	0.750	1.112	0.187	\$10.77	SET
075-125 VEE SET 1-5-1	0.750	1.250	0.250	\$11.02	SET
075-150 VEE SET 1-5-1	0.750	1.500	0.375	\$13.49	SET
081-131 VEE SET 1-5-1	0.812	1.312	0.250	\$16.42	SET
087-125 VEE SET 1-5-1	0.875	1.250	0.187	\$8.54	SET
087-137 VEE SET 1-5-1	0.875	1.375	0.250	\$14.17	SET
087-150 VEE SET 1-5-1	0.875	1.500	0.312	\$17.87	SET
087-162 VEE SET 1-5-1	0.875	1.625	0.375	\$13.90	SET
093-143 VEE SET 1-5-1	0.937	1.437	0.250	\$14.25	SET
100-137 VEE SET 1-5-1	1.000	1.375	0.187	\$19.18	SET
100-150 VEE SET 1-5-1	1.000	1.500	0.250	\$9.93	SET
100-162 VEE SET 1-5-1	1.000	1.625	0.312	\$23.45	SET
100-175 VEE SET 1-5-1	1.000	1.750	0.375	\$15.29	SET
112-162 VEE SET 1-5-1	1.125	1.625	0.250	\$12.86	SET
112-175 VEE SET 1-5-1	1.125	1.750	0.312	\$13.20	SET
112-187 VEE SET 1-5-1	1.125	1.875	0.375	\$13.20	SET
118-168 VEE SET 1-5-1	1.187	1.685	0.250	\$11.17	SET
125-175 VEE SET 1-5-1	1.250	1.750	0.250	\$27.90	SET
125-187 VEE SET 1-5-1	1.250	1.875	0.312	\$13.20	SET
125-200 VEE SET 1-5-1	1.250	2.000	0.375	\$18.98	SET

VEE-STYLE (CHEVRON) PACKING

ITEM DESCRIPTION	I.D.	O.D.	C.S.	LIST PRICE	UOM
125-225 VEE SET 1-5-1	1.250	2.250	0.500	\$23.28	SET
137-175 VEE SET 1-5-1	1.375	1.750	0.187	\$17.37	SET
137-187 VEE SET 1-5-1	1.375	1.875	0.250	\$18.79	SET
137-200 VEE SET 1-5-1	1.375	2.000	0.312	\$22.79	SET
137-212 VEE SET 1-5-1	1.375	2.125	0.375	\$25.54	SET
150-187 VEE SET 1-5-1	1.500	1.875	0.187	\$15.46	SET
150-200 VEE SET 1-5-1	1.500	2.000	0.250	\$20.57	SET
150-212 VEE SET 1-5-1	1.500	2.125	0.312	\$25.87	SET
150-225 VEE SET 1-5-1	1.500	2.250	0.375	\$17.37	SET
150-237 VEE SET 1-5-1	1.500	2.375	0.437	\$18.36	SET
150-250 VEE SET 1-5-1	1.500	2.500	0.500	\$24.32	SET
162-212 VEE SET 1-5-1	1.625	2.125	0.250	\$12.56	SET
162-225 VEE SET 1-5-1	1.625	2.250	0.312	\$25.26	SET
162-237 VEE SET 1-5-1	1.625	2.375	0.375	\$41.89	SET
175-212 VEE SET 1-5-1	1.750	2.125	0.187	\$15.98	SET
175-225 VEE SET 1-5-1	1.750	2.250	0.250	\$20.94	SET
175-237 1-5-1 VEE SET	1.750	2.375	0.312	\$25.70	SET
175-250 VEE SET 1-5-1	1.750	2.500	0.375	\$17.72	SET
175-275 1-5-1 VEE SET	1.750	2.750	0.500	\$27.80	SET
187-237 VEE SET 1-5-1	1.875	2.375	0.250	\$20.57	SET
187-250 VEE SET 1-5-1	1.875	2.500	0.312	\$33.57	SET
187-262 VEE SET 1-5-1	1.875	2.625	0.375	\$15.39	SET
193-243 VEE SET 1-5-1	1.937	2.437	0.250	\$17.37	SET
193-268 VEE SET 1-5-1	1.937	2.687	0.375	\$18.24	SET
193-275 VEE SET 1-5-1	1.937	2.750	0.406	\$16.88	SET
200-237 VEE SET 1-5-1	2.000	2.375	0.187	\$16.85	SET
200-250 VEE SET 1-5-1	2.000	2.500	0.250	\$27.81	SET
200-275 VEE SET 1-5-1	2.000	2.750	0.375	\$18.41	SET
200-287 VEE SET 1-5-1	2.000	2.875	0.437	\$19.56	SET
200-300 VEE SET 1-5-1	2.000	3.000	0.500	\$39.42	SET
212-250 VEE SET 1-5-1	2.125	2.500	0.187	\$17.55	SET
212-262 VEE SET 1-5-1	2.125	2.625	0.250	\$11.12	SET
212-275 VEE SET 1-5-1	2.125	2.750	0.312	\$20.02	SET
212-287 VEE SET 1-5-1	2.125	2.875	0.375	\$34.80	SET
218-293 VEE SET 1-5-1	2.187	2.937	0.375	\$20.85	SET
225-275 VEE SET 1-5-1	2.250	2.750	0.250	\$18.63	SET
225-287 VEE SET 1-5-1	2.250	2.875	0.312	\$15.98	SET
225-300 VEE SET 1-5-1	2.250	3.000	0.375	\$31.90	SET
225-325 VEE SET 1-5-1	2.250	3.250	0.500	\$31.27	SET
237-287 VEE SET 1-5-1	2.375	2.875	0.250	\$11.17	SET
237-300 VEE SET 1-5-1	2.375	3.000	0.312	\$16.33	SET
237-312 VEE SET 1-5-1	2.375	3.125	0.375	\$18.27	SET
237-325 VEE SET 1-5-1	2.375	3.250	0.437	\$41.87	SET

VEE-STYLE (CHEVRON) PACKING

ITEM DESCRIPTION	I.D.	O.D.	C.S.	LIST PRICE	UOM
250-287 VEE SET 1-5-1	2.500	2.875	0.187	\$11.47	SET
250-300 VEE SET 1-5-1	2.500	3.000	0.250	\$23.72	SET
250-312 VEE SET 1-5-1	2.500	3.125	0.312	\$17.37	SET
250-325 VEE SET 1-5-1	2.500	3.250	0.375	\$23.63	SET
250-350 VEE SET 1-5-1	2.500	3.500	0.500	\$35.09	SET
262-325 VEE SET 1-5-1	2.625	3.250	0.312	\$13.55	SET
262-337 VEE SET 1-5-1	2.625	3.375	0.375	\$29.53	SET
275-325 VEE SET 1-5-1	2.750	3.250	0.250	\$26.36	SET
275-337 VEE SET 1-5-1	2.750	3.375	0.312	\$18.41	SET
275-350 VEE SET 1-5-1	2.750	3.500	0.375	\$43.98	SET
275-375 VEE SET 1-5-1	2.750	3.750	0.500	\$44.30	SET
287-337 VEE SET 1-5-1	2.875	3.375	0.250	\$20.33	SET
287-350 VEE SET 1-5-1	2.875	3.500	0.312	\$25.19	SET
300-350 VEE SET 1-5-1	3.000	3.500	0.250	\$30.32	SET
300-362 VEE SET 1-5-1	3.000	3.625	0.312	\$20.85	SET
300-375 VEE SET 1-5-1	3.000	3.750	0.375	\$28.84	SET
300-400 VEE SET 1-5-1	3.000	4.000	0.500	\$40.30	EA
300-425 VEE SET 1-5-1	3.000	4.250	0.625	\$67.40	SET
312-350 VEE SET 1-5-1	3.125	3.500	0.187	\$19.46	SET
312-362 VEE SET 1-5-1	3.125	3.625	0.250	\$21.54	SET
312-387 VEE SET 1-5-1	3.125	3.875	0.375	\$37.35	SET
312-400 VEE SET 1-5-1	3.125	4.000	0.437	\$44.57	SET
325-362 VEE SET 1-5-1	3.250	3.625	0.187	\$20.50	SET
325-375 VEE SET 1-5-1	3.250	3.750	0.250	\$25.26	SET
325-387 VEE SET 1-5-1	3.250	3.875	0.312	\$3.61	SET
325-400 VEE SET 1-5-1	3.250	4.000	0.375	\$38.50	SET
325-425 VEE SET 1-5-1	3.250	4.250	0.500	\$42.39	SET
325-450 VEE SET 1-5-1	3.250	4.500	0.812	\$56.63	SET
337-387 VEE SET 1-5-1	3.375	3.875	0.250	\$22.24	SET
337-400 VEE SET 1-5-1	3.375	4.000	0.312	\$22.78	SET
350-400 VEE SET 1-5-1	3.500	4.000	0.250	\$25.87	SET
350-412 VEE SET 1-5-1	3.500	4.125	0.312	\$30.40	SET
350-425 VEE SET 1-5-1	3.500	4.250	0.375	\$33.70	SET
350-450 VEE SET 1-5-1	3.500	4.500	0.500	\$44.82	EA
350-500 VEE SET 1-5-1	3.500	5.000	0.750	\$94.16	SET
362-412 VEE SET 1-5-1	3.625	4.125	0.250	\$23.18	SET
368-425 VEE SET 1-5-1	3.685	4.250	0.594	\$38.91	SET
375-425 VEE SET 1-5-1	3.750	4.250	0.250	\$31.35	SET
375-437 VEE SET 1-5-1	3.750	4.375	0.312	\$23.82	SET
375-450 VEE SET 1-5-1	3.750	4.500	0.375	\$65.45	SET
375-475 VEE SET 1-5-1	3.750	4.750	0.500	\$57.85	SET
387-437 VEE SET 1-5-1	3.875	4.375	0.250	\$25.71	SET

VEE-STYLE (CHEVRON) PACKING

ITEM DESCRIPTION	I.D.	O.D.	C.S.	LIST PRICE	UOM
387-487 VEE SET 1-5-1	3.875	4.875	0.500	\$59.24	SET
400-450 VEE SET 1-5-1	4.000	4.500	0.250	\$40.70	SET
400-462 1-5-1 VEE SET	4.000	4.625	0.312	\$53.90	SET
400-475 VEE SET 1-5-1	4.000	4.750	0.375	\$67.10	SET
400-487 VEE SET 1-5-1	4.000	4.875	0.437	\$58.30	SET
400-500 VEE SET 1-5-1	4.000	5.000	0.500	\$60.98	SET
412-500 VEE SET 1-5-1	4.125	5.000	0.437	\$59.93	SET
425-475 VEE SET 1-5-1	4.250	4.750	0.250	\$29.26	SET
425-487 VEE SET 1-5-1	4.250	4.875	0.312	\$35.79	SET
425-500 VEE SET 1-5-1	4.250	5.000	0.375	\$42.31	SET
425-512 VEE SET 1-5-1	4.250	5.125	0.437	\$120.34	SET
425-525 VEE SET 1-5-1	4.250	5.250	0.500	\$63.06	SET
437-487 VEE SET 1-5-1	4.375	4.875	0.250	\$30.40	SET
437-500 VEE SET 1-5-1	4.375	5.000	0.312	\$37.52	SET
437-537 VEE SET 1-5-1	4.375	5.375	0.500	\$64.28	SET
443-500 VEE SET 1-5-1	4.437	5.000	0.281	\$33.70	SET
450-500 VEE SET 1-5-1	4.500	5.000	0.250	\$30.82	SET
450-512 VEE SET 1-5-1	4.500	5.125	0.312	\$39.61	SET
450-525 VEE SET 1-5-1	4.500	5.250	0.375	\$43.08	SET
450-537 VEE SET 1-5-1	4.500	5.375	0.437	\$52.46	SET
450-550 VEE SET 1-5-1	4.500	5.500	0.500	\$55.24	SET
475-525 VEE SET 1-5-1	4.750	5.250	0.250	\$16.57	SET
475-537 VEE SET 1-5-1	4.750	5.375	0.312	\$34.00	SET
475-550 VEE SET 1-5-1	4.750	5.500	0.375	\$47.95	SET
475-562 VEE SET 1-5-1	4.750	5.625	0.437	\$66.01	SET
475-575 VEE SET 1-5-1	4.750	5.750	0.500	\$67.75	SET
487-562 VEE SET 1-5-1	4.875	5.625	0.375	\$54.37	SET
500-550 VEE SET 1-5-1	5.000	5.500	0.250	\$50.69	SET
500-562 VEE SET 1-5-1	5.000	5.625	0.312	\$33.06	SET
500-575 VEE SET 1-5-1	5.000	5.750	0.375	\$65.30	SET
500-600 VEE SET 1-5-1	5.000	6.000	0.500	\$61.50	SET
512-568 VEE SET 1-5-1	5.125	5.685	0.281	\$31.27	SET
512-600 VEE SET 1-5-1	5.125	6.000	0.437	\$68.62	SET
525-575 VEE SET 1-5-1	5.250	5.750	0.250	\$35.09	SET
525-600 VEE SET 1-5-1	5.250	6.000	0.375	\$51.42	SET
525-612 VEE SET 1-5-1	5.250	6.125	0.437	\$70.70	SET
525-625 VEE SET 1-5-1	5.250	6.250	0.500	\$64.62	SET
525-650 VEE SET 1-5-1	5.250	6.500	0.625	\$102.15	SET
550-600 VEE SET 1-5-1	5.500	6.000	0.250	\$35.34	SET
550-625 VEE SET 1-5-1	5.500	6.250	0.375	\$54.55	SET
550-650 VEE SET 1-5-1	5.500	6.500	0.500	\$67.40	SET
575-625 VEE SET 1-5-1	5.750	6.250	0.250	\$36.73	SET

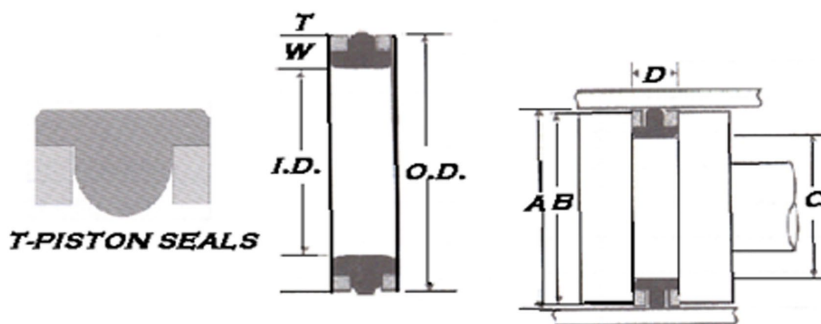
VEE-STYLE (CHEVRON) PACKING

ITEM DESCRIPTION	I.D.	O.D.	C.S.	LIST PRICE	UOM
575-637 VEE SET 1-5-1	5.750	6.375	0.312	\$59.76	SET
575-650 VEE SET 1-5-1	5.750	6.500	0.375	\$56.29	SET
575-675 VEE SET 1-5-1	5.750	6.750	0.500	\$96.10	SET
575-700 VEE SET 1-5-1	5.750	7.000	0.625	\$233.33	SET
600-650 VEE SET 1-5-1	6.000	6.500	0.250	\$40.66	SET
600-662 VEE SET 1-5-1	6.000	6.625	0.312	\$62.37	SET
600-675 VEE SET 1-5-1	6.000	6.750	0.375	\$98.60	SET
600-700 VEE SET 1-5-1	6.000	7.000	0.500	\$80.26	SET
600-725 VEE SET 1-5-1	6.000	7.250	0.625	\$160.12	SET
600-750 VEE SET 1-5-1	6.000	7.500	0.750	\$159.82	SET
625-675 VEE SET 1-5-1	6.250	6.750	0.250	\$53.58	SET
625-700 VEE SET 1-5-1	6.250	7.000	0.375	\$66.01	SET
650-700 VEE SET 1-5-1	6.500	7.000	0.250	\$55.09	SET
650-725 VEE SET 1-5-1	6.500	7.250	0.375	\$75.05	SET
650-750 VEE SET 1-5-1	6.500	7.500	0.500	\$91.38	SET
675-737 VEE SET 1-5-1	6.750	7.375	0.312	\$72.09	SET
675-750 VEE SET 1-5-1	6.750	7.500	0.375	\$87.56	SET
675-800 VEE SET 1-5-1	6.750	8.000	0.625	\$146.27	SET
700-750 VEE SET 1-5-1	7.000	7.500	0.250	\$56.83	SET
700-775 VEE SET 1-5-1	7.000	7.750	0.375	\$119.62	SET
700-800 VEE SET 1-5-1	7.000	8.000	0.500	\$105.62	SET
700-825 VEE SET 1-5-1	7.000	8.250	0.625	\$151.66	SET
725-800 VEE SET 1-5-1	7.250	8.000	0.375	\$83.91	SET
750-800 VEE SET 1-5-1	7.500	8.000	0.250	\$57.82	SET
750-825 VEE SET 1-5-1	7.500	8.250	0.375	\$100.41	SET
750-850 VEE SET 1-5-1	7.500	8.500	0.500	\$122.47	SET
768-843 VEE SET 1-5-1	7.685	8.435	0.375	\$122.47	SET
800-850 VEE SET 1-5-1	8.000	8.500	0.250	\$61.99	SET
800-900 VEE SET 1-5-1	8.000	9.000	0.500	\$203.46	SET
800-950 VEE SET 1-5-1	8.000	9.500	0.500	\$237.13	SET
812-862 VEE SET 1-5-1	8.125	8.625	0.250	\$62.44	SET
825-900 VEE SET 1-5-1	8.250	9.000	0.375	\$136.69	SET
825-937 VEE SET 1-5-1	8.250	9.375	0.562	\$104.93	SET
843-918 VEE SET 1-5-1	8.437	9.187	0.375	\$119.17	SET
850-925 VEE SET 1-5-1	8.500	9.250	0.375	\$121.08	SET
850-950 VEE SET 1-5-1	8.500	9.500	0.500	\$188.50	SET
875-937 VEE SET 1-5-1	8.750	9.375	0.312	\$71.57	SET
875-1000 VEE SET 1-5-1	8.750	10.000	0.625	\$189.70	SET
900-975 VEE SET 1-5-1	9.000	9.750	0.375	\$168.14	SET
900-1000 VEE SET 1-5-1	9.000	10.000	0.500	\$151.31	SET
912-962 VEE SET 1-5-1	9.125	9.625	0.250	\$68.62	SET

VEE-STYLE (CHEVRON) PACKING

ITEM DESCRIPTION	I.D.	O.D.	C.S.	LIST PRICE	UOM
917-987 VEE SET 1-5-1	9.171	9.875	0.344	\$95.55	SET
925-975 VEE SET 1-5-1	9.250	9.750	0.250	\$75.78	SET
937-987 VEE SET 1-5-1	9.375	9.875	0.250	\$80.14	SET
937-1000 VEE SET 1-5-1	9.375	10.000	0.312	\$101.28	SET
950-1050 VEE SET 1-5-1	9.500	10.500	0.500	\$177.01	SET
975-1050 VEE SET 1-5-1	9.750	10.500	0.375	\$224.07	SET
1000-1100 VEE SET 1-5-1	10.000	11.000	0.500	\$170.42	SET

TPO PISTON SEALS



TPO PISTON SEALS

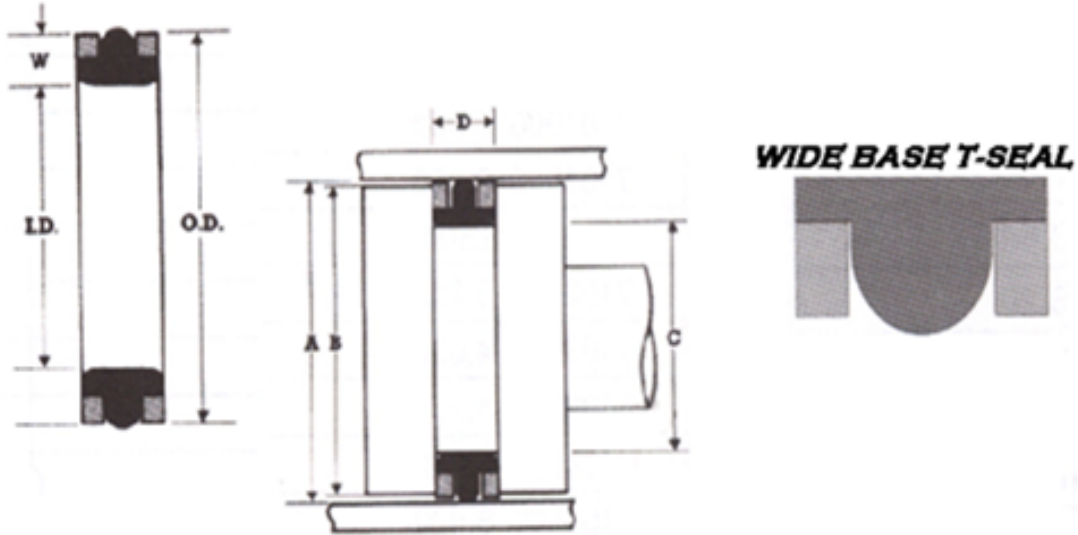
ITEM DESCRIPTION	O.D.	I.D.	HEIGHT	LIST PRICE	UOM
TPO-3 PISTON SEAL	0.500	0.313	0.146	\$4.23	EA
TPO-6 PISTON SEAL	0.688	0.438	0.180	\$4.23	EA
TPO-7 PISTON SEAL	0.750	0.500	0.180	\$4.23	EA
TPO-8 PISTON SEAL	0.813	0.563	0.180	\$4.23	EA
TPO-9 PISTON SEAL	0.875	0.625	0.180	\$4.67	EA
TPO-10 PISTON SEAL	0.938	0.688	0.125	\$7.60	EA
TPO-11 PISTON SEAL	1.000	0.750	0.125	\$5.27	EA
TPO-12 PISTON SEAL	1.062	0.813	0.125	\$8.19	EA
TPO-13 PISTON SEAL	1.125	0.875	0.125	\$4.29	EA
TPO-14 PISTON SEAL	1.187	0.938	0.125	\$3.80	EA
TPO-15 PISTON SEAL	1.250	1.000	0.125	\$4.27	EA
TPO-16 PISTON SEAL	1.312	1.062	0.125	\$4.33	EA
TPO-17 PISTON SEAL	1.375	1.125	0.125	\$5.60	EA
TPO-18 PISTON SEAL	1.437	1.187	0.125	\$7.35	EA
TPO-19 PISTON SEAL	1.500	1.250	0.125	\$5.95	EA
TPO-20 PISTON SEAL	1.563	1.312	0.125	\$11.79	EA
TPO-21 PISTON SEAL	1.625	1.375	0.125	\$14.57	EA
TPO-22 PISTON SEAL	1.750	1.500	0.125	\$5.85	EA
TPO-23 PISTON SEAL	1.875	1.500	0.187	\$7.89	EA
TPO-24 PISTON SEAL	2.000	1.625	0.187	\$7.99	EA
TPO-25 PISTON SEAL	2.125	1.750	0.187	\$6.53	EA
TPO-26 PISTON SEAL	2.250	1.875	0.187	\$5.36	EA
TPO-27 PISTON SEAL	2.375	2.000	0.187	\$8.82	EA
TPO-28 PISTON SEAL	2.500	2.125	0.187	\$6.33	EA
TPO-29 PISTON SEAL	2.625	2.250	0.187	\$7.40	EA
TPO-30 PISTON SEAL	2.750	2.375	0.187	\$12.96	EA
TPO-31 PISTON SEAL	2.875	2.500	0.187	\$8.28	EA
TPO-32 PISTON SEAL	3.000	2.625	0.187	\$9.01	EA
TPO-33 PISTON SEAL	3.125	2.750	0.187	\$10.47	EA
TPO-34 PISTON SEAL	3.250	2.875	0.187	\$10.47	EA
TPO-35 PISTON SEAL	3.500	3.125	0.187	\$10.57	EA
TPO-36 PISTON SEAL	3.625	3.250	0.187	\$21.29	EA
TPO-37 PISTON SEAL	3.750	3.375	0.187	\$13.55	EA

TPO PISTON SEALS

ITEM DESCRIPTION	O.D.	I.D.	HEIGHT	LIST PRICE	UOM
TPO-38 PISTON SEAL	3.875	3.500	0.187	\$15.50	EA
TPO-39 PISTON SEAL	4.000	3.625	0.187	\$18.32	EA
TPO-40 PISTON SEAL	4.125	3.750	0.187	\$21.04	EA
TPO-41 PISTON SEAL	4.250	3.875	0.187	\$12.76	EA
TPO-42 PISTON SEAL	4.375	4.000	0.187	\$17.96	EA
TPO-43 PISTON SEAL	4.500	4.125	0.187	\$13.73	EA
TPO-44 PISTON SEAL	4.625	4.250	0.187	\$18.07	EA
TPO-45 PISTON SEAL	4.750	4.375	0.187	\$33.42	EA
TPO-46 PISTON SEAL	4.875	4.500	0.187	\$21.34	EA
TPO-47 PISTON SEAL	5.000	4.625	0.187	\$25.87	EA
TPO-48 PISTON SEAL	5.125	4.625	0.250	\$33.71	EA
TPO-49 PISTON SEAL	5.250	4.750	0.250	\$27.77	EA
TPO-51 PISTON SEAL	5.500	5.000	0.250	\$27.86	EA
TPO-52 PISTON SEAL	5.625	5.125	0.250	\$28.50	EA
TPO-53 PISTON SEAL	5.750	5.250	0.250	\$31.76	EA
TPO-54 PISTON SEAL	5.875	5.375	0.250	\$28.79	EA
TPO-55 PISTON SEAL	6.000	5.500	0.250	\$26.31	EA
TPO-56 PISTON SEAL	6.125	5.625	0.250	\$45.84	EA
TPO-57 PISTON SEAL	6.250	5.750	0.250	\$28.11	EA
TPO-58 PISTON SEAL	6.500	6.000	0.250	\$36.54	EA
TPO-59 PISTON SEAL	6.750	6.250	0.250	\$40.00	EA
TPO-60 PISTON SEAL	7.000	6.500	0.250	\$62.36	EA
TPO-64 PISTON SEAL	8.000	7.500	0.250	\$69.96	EA
TPO-66 PISTON SEAL	8.500	8.000	0.250	\$40.68	EA
TPO-67 PISTON SEAL	9.000	8.500	0.250	\$46.92	EA
TPO-68 PISTON SEAL	9.500	9.000	0.360	\$81.61	EA
TPO-69 PISTON SEAL	10.000	9.500	0.250	\$76.83	EA
TPO-70 PISTON SEAL	10.500	10.000	0.250	\$63.73	EA
TPO-71 PISTON SEAL	11.000	10.500	0.250	\$75.91	EA
TPO-72 PISTON SEAL	11.500	11.000	0.250	\$86.08	EA
TPO-73 PISTON SEAL	12.000	11.500	0.250	\$100.27	EA

***We appreciate your continued patronage!
Please call if you need further assistance and our sales
staff will be happy to help!***

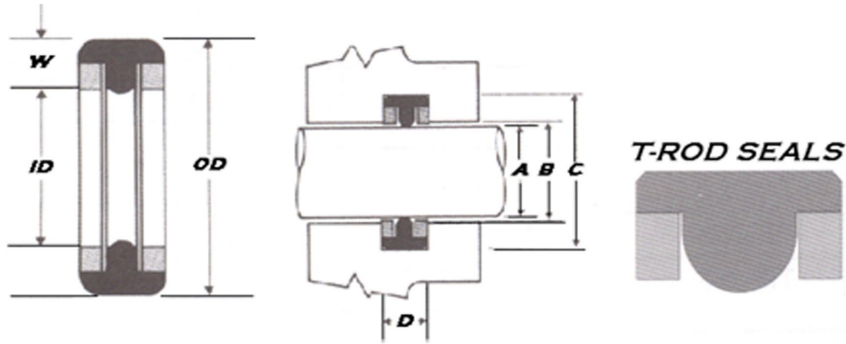
WIDE BASE TPO PISTON SEALS



WIDE BASE TP PISTON SEALS

ITEM DESCRIPTION	O.D.	I.D.	HEIGHT	LIST PRICE	UOM
WIDE BASE TPO-28-SP PISTON SEAL	2.500	2.215	0.424	\$16.47	EA
WIDE BASE TPO-31-SP PISTON SEAL	2.875	2.500	0.424	\$26.55	EA
WIDE BASE TPO-32-SP PISTON SEAL	3.000	2.625	0.424	\$30.84	EA
WIDE BASE TPO-34-SP PISTON SEAL	3.250	2.875	0.424	\$43.12	EA
WIDE BASE TPO-35-SP PISTON SEAL	3.500	3.125	0.424	\$27.43	EA
WIDE BASE TPO-39-SP PISTON SEAL	4.000	3.625	0.424	\$32.79	EA
WIDE BASE TPO-43-SP PISTON SEAL	4.500	4.125	0.424	\$41.41	EA
WIDE BASE TPO-47-IB PISTON SEAL	5.000	4.500	0.469	\$53.55	EA
WIDE BASE TPO-47-SP PISTON SEAL	5.000	4.500	0.579	\$53.55	EA
WIDE BASE TPO-51-SP PISTON SEAL	5.500	5.000	0.579	\$53.79	EA
WIDE BASE TPO-55-SP PISTON SEAL	6.000	5.500	0.579	\$64.70	EA
WIDE BASE TPO-58-SP PISTON SEAL	6.500	6.000	0.579	\$68.70	EA
WIDE BASE TPO-60-SP PISTON SEAL	7.000	6.500	0.578	\$83.51	EA
WIDE BASE TPO-62-SP PISTON SEAL	7.500	7.000	0.579	\$80.68	EA
WIDE BASE TPO-64-SP PISTON SEAL	8.000	7.500	0.468	\$81.17	EA

TRO ROD SEALS



TRO ROD SEALS

ITEM DESCRIPTION	I.D.	O.D.	HEIGHT	LIST PRICE	UOM
TRO-3 ROD SEAL	0.313	0.500	0.146	\$6.33	EA
TRO-6 ROD SEAL	0.500	0.750	0.180	\$9.01	EA
TRO-8 ROD SEAL	0.625	0.875	0.180	\$6.53	EA
TRO-9 ROD SEAL	0.688	0.938	0.180	\$4.09	EA
TRO-10 ROD SEAL	0.750	0.988	0.125	\$6.73	EA
TRO-12 ROD SEAL	0.875	1.125	0.125	\$4.14	EA
TRO-14 ROD SEAL	1.000	1.250	0.125	\$5.94	EA
TRO-16 ROD SEAL	1.125	1.375	0.125	\$5.58	EA
TRO-18 ROD SEAL	1.250	1.500	0.125	\$6.97	EA
TRO-20 ROD SEAL	1.375	1.625	0.125	\$7.89	EA
TRO-22 ROD SEAL	1.500	1.750	0.125	\$8.33	EA
TRO-23 ROD SEAL	1.500	1.875	0.187	\$7.02	EA
TRO-24 ROD SEAL	1.625	2.000	0.187	\$7.31	EA
TRO-25 ROD SEAL	1.750	2.125	0.187	\$7.75	EA
TRO-26 ROD SEAL	1.875	2.250	0.187	\$9.16	EA
TRO-27 ROD SEAL	2.000	2.375	0.187	\$7.84	EA
TRO-28 ROD SEAL	2.125	2.500	0.187	\$13.11	EA
TRO-29 ROD SEAL	2.250	2.625	0.187	\$12.57	EA
TRO-30 ROD SEAL	2.375	2.750	0.187	\$14.62	EA
TRO-31 ROD SEAL	2.500	2.875	0.187	\$15.35	EA
TRO-32 ROD SEAL	2.625	3.000	0.187	\$12.20	EA
TRO-33 ROD SEAL	2.750	3.125	0.187	\$13.00	EA
TRO-34 ROD SEAL	2.875	3.250	0.187	\$10.92	EA
TRO-35 ROD SEAL	3.000	3.375	0.187	\$11.62	EA
TRO-36 ROD SEAL	3.125	3.500	0.187	\$19.44	EA
TRO-37 ROD SEAL	3.250	3.625	0.187	\$12.32	EA
TRO-38 ROD SEAL	3.375	3.750	0.187	\$13.55	EA
TRO-39 ROD SEAL	3.500	3.875	0.187	\$17.88	EA
TRO-40 ROD SEAL	3.625	4.000	0.375	\$14.47	EA
TRO-41 ROD SEAL	3.750	4.125	0.187	\$17.54	EA
TRO-42 ROD SEAL	3.875	4.250	0.187	\$20.75	EA
TRO-43 ROD SEAL	4.000	4.375	0.187	\$27.57	EA
TRO-44 ROD SEAL	4.125	4.500	0.187	\$13.93	EA

TRO-45 ROD SEAL	4.250	4.625	0.187	\$14.08	EA
TRO-46 ROD SEAL	4.375	4.750	0.187	\$13.98	EA
TRO-47 ROD SEAL	4.500	4.875	0.187	\$37.68	EA
TRO-48 ROD SEAL	5.000	5.500	0.250	\$48.32	EA
TRO-49 ROD SEAL	5.250	5.750	0.250	\$14.33	EA
TRO-50 ROD SEAL	5.500	6.000	0.250	\$25.53	EA
TRO-51 ROD SEAL	5.625	6.125	0.250	\$25.91	EA
TRO-52 ROD SEAL	6.000	6.500	0.250	\$24.41	EA
TRO-53 ROD SEAL	6.250	6.750	0.250	\$29.67	EA
TRO-54 ROD SEAL	6.500	7.000	0.250	\$26.16	EA
TRO-56 ROD SEAL	7.000	7.500	0.250	\$26.11	EA
TRO-58 ROD SEAL	7.479	8.000	0.250	\$22.02	EA
TRO-59 ROD SEAL	8.500	9.000	0.250	\$31.71	EA
TRO-60 ROD SEAL	9.000	9.500	0.250	\$51.25	EA
TRO-62 ROD SEAL	10.000	10.500	0.250	\$53.93	EA

**QUALITY AND
RELIABLE
SERVICE!
LOW
SHIPPING
COSTS!**

MATERIAL SPECIFICATION SHEET

MCF-171

Nitrile/Nylon Anti Wicking

BASE FABRIC

ASTM TEST METHODS

<i>Fabric:</i>	<i>Nylon</i>
<i>Burst Strength:</i>	<i>390 psi</i>
<i>Count:</i>	-----
<i>Gauge:</i>	<i>.017+/- .003</i>
<i>Warp:</i>	-----
<i>Weave:</i>	-----
<i>Weight:</i>	<i>14.6 oz/yd</i>

COATING

<i>Rubber:</i>	<i>Nitrile</i>
<i>Durometer:</i>	<i>60 Shore +/- 5</i>
<i>Cure:</i>	-----
<i>Compression Set:</i>	-----
<i>Elongation:</i>	<i>450%</i>
<i>Tear Strength:</i>	-----
<i>Tensile Strength:</i>	<i>2000 psi</i>

COATED FABRIC

<i>Thickness</i>	-----
<i>Weight:</i>	<i>16 oz/yd</i>
<i>Color</i>	<i>Black</i>
<i>Temperature Range:</i>	<i>-65 ° F TO +210 ° F</i>

ASTM D2000 CODES

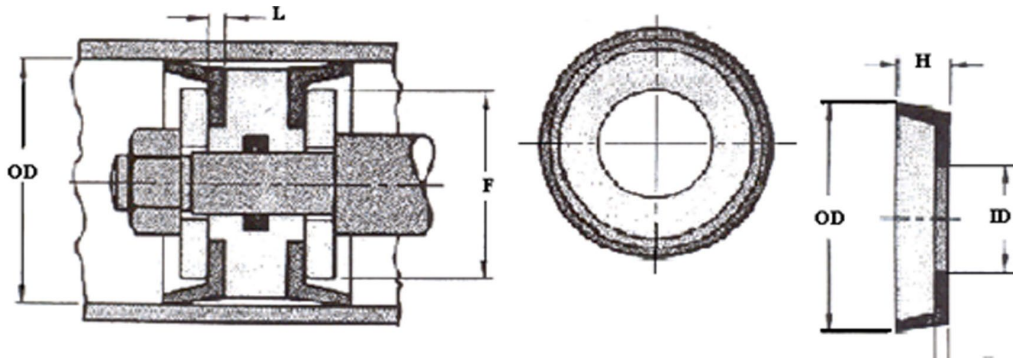
OTHER SPECIFICATIONS

AMS-3274

Because we cannot anticipate or control the many different conditions under which this information and our products may be used, we do not guarantee the applicability or the accuracy of this information or the suitability of our products in any specific application. Users of our products should make their own tests to determine the suitability of each such product for their particular purposes. The products discussed are sold without warranty, either expressed or implied, and buyer assumes all responsibility for loss or damage arising from the handling and use of our products, whether done in accordance with directions or not. Also, statements concerning the possible use of our products are not intended as recommendations to use our products in the infringement of any patent.

Precision Seals, Inc.
820 Honeysuckle Dr.
Fultondale, AL 35068
Phone: 205-631-7006 Fax: 205-631-7032

FABRIC PISTON CUPS

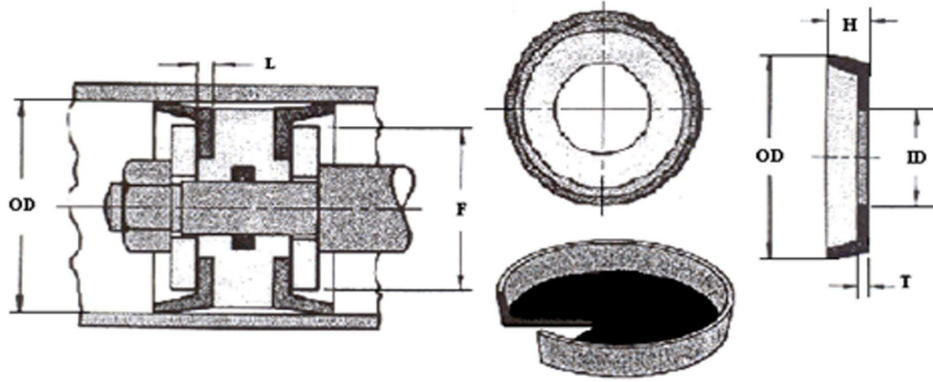


FABRIC PISTON CUPS

ITEM DESCRIPTION	BORE	LIP HEIGHT	THICKNESS	LIST PRICE	UOM
3/8" FABRIC PISTON CUP	0.375	0.250	0.093	\$4.02	EA
1/2" FABRIC PISTON CUP	0.500	0.375	0.093	\$4.02	EA
5/8" FABRIC PISTON CUP	0.625	0.375	0.093	\$4.02	EA
3/4" FABRIC PISTON CUP	0.750	0.375	0.093	\$4.02	EA
7/8" FABRIC PISTON CUP	0.875	0.375	0.093	\$4.02	EA
1-0" FABRIC PISTON CUP	1.000	0.375	0.125	\$4.19	EA
1-1/8" FABRIC PISTON CUP	1.125	0.437	0.093	\$4.62	EA
1-1/4" FABRIC PISTON CUP	1.250	0.500	0.125	\$5.14	EA
1-3/8" FABRIC PISTON CUP	1.375	0.437	0.125	\$5.54	EA
1-1/2" FABRIC PISTON CUP	1.500	0.500	0.125	\$5.99	EA
1-5/8" FABRIC PISTON CUP	1.625	0.500	0.125	\$6.89	EA
1-3/4" FABRIC PISTON CUP	1.750	0.500	0.125	\$6.94	EA
1-7/8" FABRIC PISTON CUP	1.875	0.500	0.125	\$7.33	EA
2-0" FABRIC PISTON CUP	2.000	0.500	0.125	\$7.96	EA
2-1/8" FABRIC PISTON CUP	2.125	0.500	0.125	\$8.26	EA
2-1/4" FABRIC PISTON CUP	2.250	0.500	0.125	\$8.81	EA
2-3/8" FABRIC PISTON CUP	2.375	0.500	0.125	\$9.18	EA
2-1/2" FABRIC PISTON CUP	2.500	0.625	0.187	\$9.80	EA
2-5/8" FABRIC PISTON CUP	2.625	0.500	0.125	\$10.43	EA
2-3/4" FABRIC PISTON CUP	2.750	0.500	0.125	\$10.95	EA
2-7/8" FABRIC PISTON CUP	2.875	0.500	0.125	\$11.13	EA
3-0" FABRIC PISTON CUP	3.000	0.625	0.125	\$11.90	EA
3-1/8" FABRIC PISTON CUP	3.125	0.625	0.156	\$12.15	EA
3-1/4" FABRIC PISTON CUP	3.250	0.625	0.156	\$12.67	EA
3-3/8" FABRIC PISTON CUP	3.375	0.625	0.156	\$13.05	EA
3-1/2" FABRIC PISTON CUP	3.500	0.625	0.125	\$13.77	EA
3-5/8" FABRIC PISTON CUP	3.625	0.625	0.156	\$14.12	EA
3-3/4" FABRIC PISTON CUP	3.750	0.625	0.156	\$14.57	EA
3-7/8" FABRIC PISTON CUP	3.875	0.625	0.156	\$15.04	EA
4-0" FABRIC PISTON CUP	4.000	0.625	0.125	\$18.06	EA
4-1/4" FABRIC PISTON CUP	4.250	0.625	0.156	\$18.46	EA
4-1/2" FABRIC PISTON CUP	4.500	0.625	0.156	\$19.81	EA

4-3/4"	FABRIC PISTON CUP	4.750	0.625	0.156	\$20.91	EA
5-0"	FABRIC PISTON CUP	5.000	0.750	0.187	\$23.50	EA
5-1/4"	FABRIC PISTON CUP	5.250	0.750	0.187	\$23.78	EA
5-1/2"	FABRIC PISTON CUP	5.500	0.750	0.187	\$24.65	EA
5-3/4"	FABRIC PISTON CUP	5.750	0.750	0.187	\$26.39	EA
6-0"	FABRIC PISTON CUP	6.000	0.750	0.187	\$28.59	EA
6-1/4"	FABRIC PISTON CUP	6.250	0.750	0.187	\$30.81	EA
6-1/2"	FABRIC PISTON CUP	6.500	0.750	0.187	\$33.01	EA
6-3/4"	FABRIC PISTON CUP	6.750	0.750	0.187	\$34.10	EA
7-0"	FABRIC PISTON CUP	7.000	0.750	0.187	\$46.20	EA
7-1/4"	FABRIC PISTON CUP	7.250	0.750	0.187	\$46.20	EA
7-1/2"	FABRIC PISTON CUP	7.500	0.750	0.187	\$48.40	EA
7-3/4"	FABRIC PISTON CUP	7.750	0.750	0.187	\$51.69	EA
8-0"	FABRIC PISTON CUP	8.000	1.000	0.250	\$54.99	EA
8-1/2"	FABRIC PISTON CUP	8.500	1.000	0.187	\$54.99	EA
9-0"	FABRIC PISTON CUP	9.000	1.000	0.187	\$61.62	EA
9-1/2"	FABRIC PISTON CUP	9.500	1.000	0.187	\$68.63	EA
9-3/4"	FABRIC PISTON CUP	9.750	1.000	0.187	\$72.60	EA
10-0"	FABRIC PISTON CUP	10.000	1.000	0.187	\$82.80	EA
10-1/2"	FABRIC PISTON CUP	10.500	1.000	0.187	\$96.80	EA
11-0"	FABRIC PISTON CUP	11.000	1.000	0.187	\$105.60	EA
11-1/2"	FABRIC PISTON CUP	11.500	1.000	0.187	\$111.94	EA
12-0"	FABRIC PISTON CUP	12.000	1.000	0.187	\$142.25	EA

RUBBER PISTON CUPS



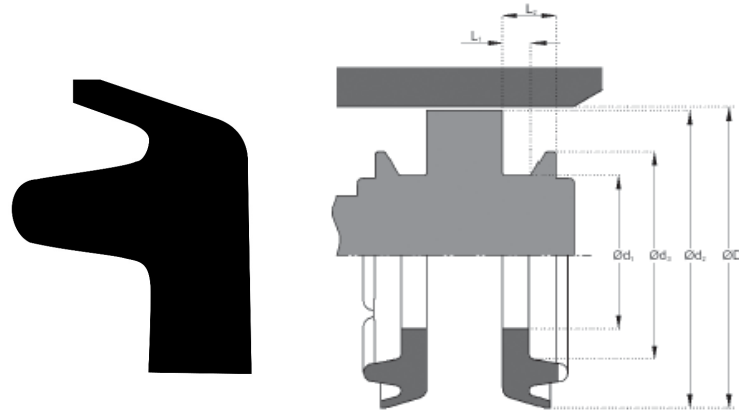
RUBBER PISTON CUPS

ITEM DESCRIPTION	BORE	LIP HEIGHT	THICKNESS	LIST PRICE	UOM
3/4" RUBBER HM PISTON CUP	0.750	0.438	0.093	\$3.57	EA
7/8" RUBBER HM PISTON CUP	0.875	0.375	0.093	\$3.57	EA
1-0" RUBBER HM PISTON CUP	1.000	0.500	0.063	\$3.72	EA
1-3/16" RUBBER HM PISTON CUP	1.187	0.375	0.125	\$4.24	EA
1-1/4" RUBBER HM PISTON CUP	1.250	0.375	0.125	\$4.08	EA
1-1/2" RUBBER HM PISTON CUP	1.500	0.500	0.125	\$4.36	EA
1-5/8" RUBBER HM PISTON CUP	1.625	0.500	0.125	\$4.51	EA
1-3/4" RUBBER HM PISTON CUP	1.750	0.500	0.125	\$4.69	EA
2-0" RUBBER HM PISTON CUP	2.000	0.500	0.125	\$4.96	EA
2-1/4" RUBBER HM PISTON CUP	2.250	0.500	0.125	\$5.23	EA
2-3/8" RUBBER HM PISTON CUP	2.375	0.500	0.125	\$5.39	EA
2-1/2" RUBBER HM PISTON CUP	2.500	0.500	0.125	\$5.72	EA
2-5/8" RUBBER HM PISTON CUP	2.625	0.500	0.125	\$5.66	EA
2-3/4" RUBBER HM PISTON CUP	2.750	0.625	0.125	\$6.08	EA
2-7/8" RUBBER HM PISTON CUP	2.875	0.500	0.125	\$9.35	EA
3-0" RUBBER HM PISTON CUP	3.000	0.500	0.125	\$9.83	EA
3-1/8" RUBBER HM PISTON CUP	3.125	0.625	0.156	\$11.41	EA
3-1/4" RUBBER HM PISTON CUP	3.250	0.625	0.156	\$11.41	EA
3-1/2" RUBBER HM PISTON CUP	3.500	0.500	0.125	\$11.98	EA
3-1/2" RUBBER HM PISTON CUP	3.500	0.625	0.156	\$11.98	EA
3-5/8" RUBBER HM PISTON CUP	3.625	0.625	0.156	\$11.98	EA
3-3/4" RUBBER HM PISTON CUP	3.750	0.625	0.156	\$12.98	EA
4-0" RUBBER HM PISTON CUP	4.000	0.500	0.125	\$13.68	EA
4-1/4" RUBBER HM PISTON CUP	4.250	0.625	0.156	\$16.43	EA
4-1/2" RUBBER HM PISTON CUP	4.500	0.625	0.156	\$17.67	EA
4-5/8" RUBBER HM PISTON CUP	4.625	0.750	0.125	\$18.18	EA
4-3/4" RUBBER HM PISTON CUP	4.750	0.750	0.125	\$18.37	EA
5-0" RUBBER HM PISTON CUP	5.000	0.750	0.125	\$18.70	EA
5-1/4" RUBBER HM PISTON CUP	5.250	0.750	0.188	\$19.64	EA
5-1/2" RUBBER HM PISTON CUP	5.500	0.750	0.188	\$20.79	EA
5-5/8" RUBBER HM PISTON CUP	5.625	0.625	0.188	\$21.29	EA
5-3/4" RUBBER HM PISTON CUP	5.750	0.750	0.188	\$21.81	EA

6-0"	RUBBER HM PISTON CUP	6.000	0.750	0.188	\$25.15	EA
6-1/4"	RUBBER HM PISTON CUP	6.250	0.750	0.188	\$22.60	EA
6-1/2"	RUBBER HM PISTON CUP	6.500	0.750	0.188	\$22.87	EA
7-0"	RUBBER HM PISTON CUP	7.000	0.750	0.188	\$28.05	EA
7-1/4"	RUBBER HM PISTON CUP	7.250	0.750	0.188	\$28.26	EA
7-1/2"	RUBBER HM PISTON CUP	7.500	0.750	0.188	\$28.59	EA
8-0"	RUBBER HM PISTON CUP	8.000	1.000	0.188	\$31.19	EA
8-1/2"	RUBBER HM PISTON CUP	8.500	0.750	0.188	\$37.79	EA
9-0"	RUBBER HM PISTON CUP	9.000	1.000	0.188	\$41.57	EA
9-1/2"	RUBBER HM PISTON CUP	9.500	1.000	0.188	\$44.69	EA
10-0"	RUBBER HM PISTON CUP	10.000	1.000	0.188	\$50.68	EA
10-1/2"	RUBBER HM PISTON CUP	10.500	1.000	0.188	\$52.49	EA
11-0"	RUBBER HM PISTON CUP	11.000	1.000	0.188	\$53.31	EA
12-0"	RUBBER HM PISTON CUP	12.000	1.000	0.188	\$57.88	EA
14-0"	RUBBER HM PISTON CUP	14.000	1.000	0.188	\$62.33	EA

**QUALITY AND
RELIABLE
SERVICE!
LOW
SHIPPING
COSTS!**

PNEUMATIC CUSHION SEALS



PNEUMATIC CUSHION SEALS

ITEM DESCRIPTION	DIMENSIONS			LIST PRICE	UOM
	OD	ID	THICKNESS		
<i>HALLITE 667 PNEUMATIC CUSHION SEALS</i>	1.500	1.050	0.256	\$11.20	EA
<i>HALLITE 667 PNEUMATIC CUSHION SEALS</i>	2.000	1.440	0.256	\$12.40	EA
<i>HALLITE 667 PNEUMATIC CUSHION SEALS</i>	2.500	1.925	0.315	\$12.40	EA
<i>HALLITE 667 PNEUMATIC CUSHION SEALS</i>	3.250	2.550	0.315	\$13.60	EA
<i>HALLITE 667 PNEUMATIC CUSHION SEALS</i>	4.000	3.268	0.315	\$15.56	EA
<i>HALLITE 667 PNEUMATIC CUSHION SEALS</i>	5.000	4.095	0.375	\$28.92	EA
<i>HALLITE 667 PNEUMATIC CUSHION SEALS</i>	6.000	5.095	0.375	\$34.92	EA
<i>HALLITE 667 PNEUMATIC CUSHION SEALS</i>	8.000	7.095	0.375	\$49.76	EA

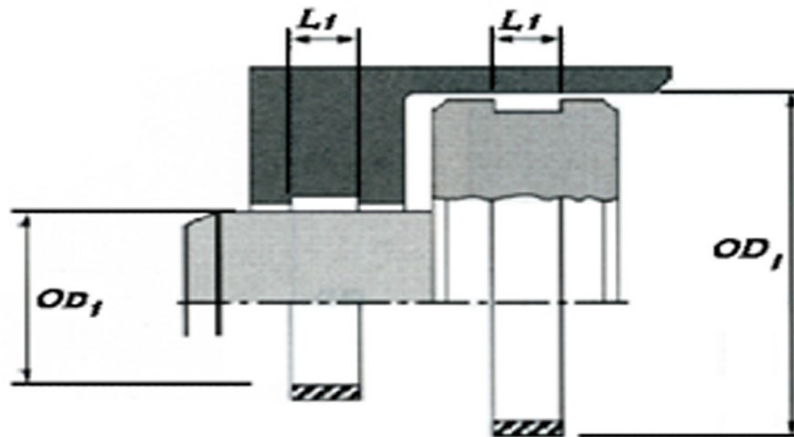
Design

The Hallite 667 uses the well established sealing lip of the Hallite 607 pneumatic piston seal in a construction, that provides additional cushioning for a pneumatic cylinder. Made from Hallite® 181 material. the design incorporates buffers. which reduce the likelihood of metal contact at the end stroke of a cylinder. particularly if the retardation of the piston by the pneumatic cushion is insufficient. In turn. this additional buffering will reduce end stroke noise.

Features

- Effective sealing
- Low friction
- Easy installation
- Excellent temperature range
- Reduced cylinder noise

533 NYLON BEARINGS



STYLE 533 NYLON WEAR RINGS

ITEM DESCRIPTION	DIMENSIONS			LIST PRICE	UOM
	O.D.	WIDTH	C/S		
075-087-062 T533 WEAR RING	0.750	0.875	0.063	\$2.19	EA
100-037 T533 WEAR RING	1.000	0.375	0.125	\$3.35	EA
100-050 T533 WEAR RING	1.000	0.500	0.125	\$3.45	EA
112-050-062 T533 WEAR RING	1.125	0.500	0.063	\$3.45	EA
125-025 T533 WEAR RING	1.250	0.250	0.125	\$3.56	EA
125-025-062 T533 WEAR RING	1.250	0.250	0.063	\$3.56	EA
125-037 T533 WEAR RING	1.250	0.375	0.063	\$3.79	EA
125-050-062 T533 WEAR RING	1.250	0.500	0.063	\$1.81	EA
125-050 T533 WEAR RING	1.250	0.500	0.125	\$3.79	EA
125-075 T533 WEAR RING	1.250	0.750	0.125	\$4.43	EA
125-100 T533 WEAR RING	1.250	1.000	0.125	\$5.80	EA
137-050-062 T533 WEAR RING	1.375	0.500	0.063	\$6.29	EA
150-025-063 T533 WEAR RING	1.500	0.250	0.125	\$3.58	EA
150-031-062 T533 WEAR RING	1.500	0.312	0.063	\$20.13	EA
150-037-062 T533 WEAR RING	1.500	0.375	0.063	\$4.58	EA
150-037 T533 WEAR RING	1.500	0.375	0.125	\$4.58	EA
150-050-062 T533 WEAR RING	1.500	0.500	0.063	\$4.58	EA
150-037-094 T533 WEAR RING	1.500	0.375	0.093	\$4.64	EA
150-050 T533 WEAR RING	1.500	0.500	0.125	\$4.58	EA
150-062 T533 WEAR RING	1.500	0.625	0.125	\$4.58	EA
150-075 T533 WEAR RING	1.500	0.750	0.125	\$4.93	EA
150-100 T533 WEAR RING	1.500	1.000	0.125	\$5.81	EA
162-037 T533 WEAR RING	1.625	0.375	0.125	\$4.58	EA
162-050 T533 WEAR RING	1.625	0.500	0.125	\$4.58	EA
175-037 T533 WEAR RING	1.750	0.375	0.125	\$4.58	EA
175-050 T533 WEAR RING	1.750	0.500	0.125	\$4.58	EA

STYLE 533 NYLON WEAR RINGS

ITEM DESCRIPTION	DIMENSIONS			LIST PRICE	UOM
	O.D.	WIDTH	C/S		
175-062 T533 WEAR RING	1.750	0.625	0.125	\$4.58	EA
175-075 T533 WEAR RING	1.750	0.750	0.125	\$5.49	EA
175-100 T533 WEAR RING	1.750	1.000	0.125	\$7.18	EA
200-187 T533 WEAR RING	2.000	0.187	0.125	\$6.17	EA
200-025 T533 WEAR RING	2.000	0.250	0.125	\$3.74	EA
200-037-062 T533 WEAR RING	2.000	0.375	0.063	\$6.35	EA
200-037 T533 WEAR RING	2.000	0.375	0.125	\$4.58	EA
200-050 T533 WEAR RING	2.000	0.500	0.125	\$4.61	EA
200-062 T533 WEAR RING	2.000	0.625	0.125	\$4.72	EA
200-075 T533 WEAR RING	2.000	0.750	0.125	\$4.93	EA
200-100 T533 WEAR RING	2.000	1.000	0.125	\$6.06	EA
225-037 T533 WEAR RING	2.250	0.375	0.125	\$4.61	EA
225-050 T533 WEAR RING	2.250	0.500	0.125	\$4.61	EA
225-062 T533 WEAR RING	2.250	0.625	0.125	\$4.86	EA
225-075 T533 WEAR RING	2.250	0.750	0.125	\$4.93	EA
225-100 T533 WEAR RING	2.250	1.000	0.125	\$6.06	EA
237-050 T533 WEAR RING	2.375	0.500	0.125	\$4.61	EA
237-100-063 T533 WEAR RING	2.375	1.000	0.063	\$5.98	EA
250-187 T533 WEAR RING	2.500	0.187	0.125	\$6.52	EA
250-025 T533 WEAR RING	2.500	0.250	0.125	\$4.31	EA
250-037-063 T533 WEAR RING	2.500	0.375	0.063	\$7.33	EA
250-037 T533 WEAR RING	2.500	0.375	0.125	\$4.78	EA
250-050 T533 WEAR RING	2.500	0.500	0.125	\$4.82	EA
250-062 T533 WEAR RING	2.500	0.625	0.125	\$5.14	EA
250-075 T533 WEAR RING	2.500	0.750	0.125	\$5.71	EA
250-100 T533 WEAR RING	2.500	1.000	0.125	\$6.33	EA
275-037 T533 WEAR RING	2.750	0.375	0.125	\$4.86	EA
275-050 T533 WEAR RING	2.750	0.500	0.125	\$4.86	EA
275-062 T533 WEAR RING	2.750	0.625	0.125	\$5.23	EA
275-075 T533 WEAR RING	2.750	0.750	0.125	\$5.95	EA
275-100 T533 WEAR RING	2.750	1.000	0.125	\$6.24	EA
300-187 T533 WEAR RING	3.000	0.187	0.125	\$6.92	EA
300-250 T533 WEAR RING	3.000	0.250	0.125	\$4.45	EA
300-037 T533 WEAR RING	3.000	0.375	0.125	\$4.93	EA
300-050 T533 WEAR RING	3.000	0.500	0.125	\$4.93	EA
300-062 T533 WEAR RING	3.000	0.625	0.125	\$5.23	EA
300-075 T533 WEAR RING	3.000	0.750	0.125	\$5.65	EA
300-100 T533 WEAR RING	3.000	1.000	0.125	\$6.51	EA
325-025 T533 WEAR RING	3.250	0.250	0.125	\$4.93	EA
325-031 T533 WEAR RING	3.250	0.312	0.125	\$4.93	EA
325-037 T533 WEAR RING	3.250	0.375	0.125	\$5.05	EA
325-050 T533 WEAR RING	3.250	0.500	0.125	\$5.05	EA

STYLE 533 NYLON WEAR RINGS

ITEM DESCRIPTION	DIMENSIONS			LIST PRICE	UOM
	O.D.	WIDTH	C/S		
325-062 T533 WEAR RING	3.250	0.625	0.125	\$5.53	EA
325-075 T533 WEAR RING	3.250	0.750	0.125	\$5.65	EA
325-100 T533 WEAR RING	3.250	1.000	0.125	\$5.61	EA
350-018 T533 WEAR RING	3.500	0.187	0.125	\$11.23	EA
350-025 T533 WEAR RING	3.500	0.250	0.125	\$4.45	EA
350-037 T533 WEAR RING	3.500	0.375	0.125	\$5.09	EA
350-050 T533 WEAR RING	3.500	0.500	0.125	\$5.09	EA
350-062 T533 WEAR RING	3.500	0.625	0.125	\$5.65	EA
350-075 T533 WEAR RING	3.500	0.750	0.125	\$5.68	EA
350-100 T533 WEAR RING	3.500	1.000	0.125	\$6.79	EA
375-050 T533 WEAR RING	3.750	0.500	0.125	\$5.17	EA
375-062 T533 WEAR RING	3.750	0.625	0.125	\$5.83	EA
375-075 T533 WEAR RING	3.750	0.750	0.125	\$5.95	EA
375-100 T533 WEAR RING	3.750	1.000	0.125	\$6.79	EA
400-025 T533 WEAR RING	4.000	0.250	0.125	\$4.58	EA
400-037 T533 WEAR RING	4.000	0.375	0.125	\$5.17	EA
400-050 T533 WEAR RING	4.000	0.500	0.125	\$5.17	EA
400-062 T533 WEAR RING	4.000	0.625	0.125	\$6.06	EA
400-075 T533 WEAR RING	4.000	0.750	0.125	\$5.95	EA
400-100 T533 WEAR RING	4.000	1.000	0.125	\$7.22	EA
425-037 T533 WEAR RING	4.250	0.375	0.125	\$5.45	EA
425-050 T533 WEAR RING	4.250	0.500	0.125	\$5.81	EA
425-062 T533 WEAR RING	4.250	0.625	0.125	\$6.06	EA
425-075 T533 WEAR RING	4.250	0.750	0.125	\$6.28	EA
425-100 T533 WEAR RING	4.250	1.000	0.125	\$8.13	EA
450-037 T533 WEAR RING	4.500	0.375	0.125	\$6.21	EA
450-050 T533 WEAR RING	4.500	0.500	0.125	\$6.81	EA
450-062 T533 WEAR RING	4.500	0.625	0.125	\$6.81	EA
450-075 T533 WEAR RING	4.500	0.750	0.125	\$6.90	EA
450-100 T533 WEAR RING	4.500	1.000	0.125	\$8.13	EA
475-050 T533 WEAR RING	4.750	0.500	0.125	\$6.81	EA
475-062 T533 WEAR RING	4.750	0.625	0.125	\$6.81	EA
475-075 T533 WEAR RING	4.750	0.750	0.125	\$6.90	EA
475-100 T533 WEAR RING	4.750	1.000	0.125	\$8.17	EA
500-037 T533 WEAR RING	5.000	0.375	0.125	\$6.68	EA
500-050 T533 WEAR RING	5.000	0.500	0.125	\$6.94	EA
500-062 T533 WEAR RING	5.000	0.625	0.125	\$7.07	EA
500-750 T533 WEAR RING	5.000	0.750	0.125	\$7.07	EA
500-100 T533 WEAR RING	5.000	1.000	0.125	\$8.17	EA
525-050 T533 WEAR RING	5.250	0.500	0.125	\$6.94	EA
525-062 T533 WEAR RING	5.250	0.625	0.125	\$7.07	EA
525-075 T533 WEAR RING	5.250	0.750	0.125	\$7.07	EA

STYLE 533 NYLON WEAR RINGS

ITEM DESCRIPTION	DIMENSIONS			LIST PRICE	UOM
	O.D.	WIDTH	C/S		
525-100 T533 WEAR RING	5.250	1.000	0.125	\$8.81	EA
550-037 T533 WEAR RING	5.500	0.375	0.125	\$6.68	EA
550-050 T533 WEAR RING	5.500	0.500	0.125	\$6.94	EA
550-062 T533 WEAR RING	5.500	0.625	0.125	\$7.07	EA
550-075 T533 WEAR RING	5.500	0.750	0.125	\$7.07	EA
550-100 T533 WEAR RING	5.500	1.000	0.125	\$8.81	EA
575-050 T533 WEAR RING	5.750	0.500	0.125	\$6.94	EA
575-075 T533 WEAR RING	5.750	0.750	0.125	\$7.25	EA
575-100 T533 WEAR RING	5.750	1.000	0.125	\$8.95	EA
600-037 T533 WEAR RING	6.000	0.375	0.125	\$6.81	EA
600-050 T533 WEAR RING	6.000	0.500	0.125	\$6.94	EA
600-062 T533 WEAR RING	6.000	0.625	0.125	\$7.07	EA
600-075 T533 WEAR RING	6.000	0.750	0.125	\$7.25	EA
600-100 T533 WEAR RING	6.000	1.000	0.125	\$8.95	EA
625-037 T533 WEAR RING	6.250	0.375	0.125	\$7.33	EA
625-050 T533 WEAR RING	6.250	0.500	0.125	\$7.57	EA
625-062 T533 WEAR RING	6.250	0.625	0.125	\$7.88	EA
625-075 T533 WEAR RING	6.250	0.750	0.125	\$12.99	EA
625-100 T533 WEAR RING	6.250	1.000	0.125	\$9.22	EA
650-037 T533 WEAR RING	6.500	0.375	0.125	\$7.33	EA
650-050 T533 WEAR RING	6.500	0.500	0.125	\$7.57	EA
650-062 T533 WEAR RING	6.500	0.625	0.125	\$7.88	EA
650-075 T533 WEAR RING	6.500	0.750	0.125	\$8.00	EA
650-100 T533 WEAR RING	6.500	1.000	0.125	\$9.22	EA
675-100 T533 WEAR RING	6.750	1.000	0.125	\$12.92	EA
700-050 T533 WEAR RING	7.000	0.500	0.125	\$7.57	EA
700-062 T533 WEAR RING	7.000	0.625	0.125	\$7.88	EA
700-075 T533 WEAR RING	7.000	0.750	0.125	\$8.85	EA
700-100 T533 WEAR RING	7.000	1.000	0.125	\$12.92	EA
725-050 T533 WEAR RING	7.250	0.500	0.125	\$8.70	EA
725-075 T533 WEAR RING	7.250	0.750	0.125	\$12.20	EA
725-100 T533 WEAR RING	7.250	1.000	0.125	\$14.30	EA
750-050 T533 WEAR RING	7.500	0.500	0.125	\$8.70	EA
750-062 T533 WEAR RING	7.500	0.625	0.125	\$10.62	EA
750-075 T533 WEAR RING	7.500	0.750	0.125	\$10.62	EA
750-100 T533 WEAR RING	7.500	1.000	0.125	\$18.65	EA
775-100 T533 WEAR RING	7.775	1.000	0.125	\$20.22	EA
800-037 T533 WEAR RING	8.000	0.375	0.125	\$11.88	EA
800-050 T533 WEAR RING	8.000	0.500	0.125	\$9.58	EA
800-062 T533 WEAR RING	8.000	0.625	0.125	\$15.95	EA
800-075 T533 WEAR RING	8.000	0.750	0.125	\$15.95	EA
800-100 T533 WEAR RING	8.000	1.000	0.125	\$19.42	EA

STYLE 533 NYLON WEAR RINGS

ITEM DESCRIPTION	DIMENSIONS			LIST PRICE	UOM
	O.D.	WIDTH	C/S		
825-100 T533 WEAR RING	8.250	1.000	0.125	\$21.45	EA
850-050 T533 WEAR RING	8.500	0.500	0.125	\$13.35	EA
850-062 T533 WEAR RING	8.500	0.625	0.125	\$15.95	EA
850-075 T533 WEAR RING	8.500	0.750	0.125	\$15.95	EA
850-100 T533 WEAR RING	8.500	1.000	0.125	\$21.45	EA
875-075 T533 WEAR RING	8.750	0.750	0.125	\$16.75	EA
900-050 T533 WEAR RING	9.000	0.500	0.125	\$14.72	EA
900-062 T533 WEAR RING	9.000	0.625	0.125	\$17.76	EA
900-075 T533 WEAR RING	9.000	0.750	0.125	\$18.17	EA
900-100 T533 WEAR RING	9.000	1.000	0.125	\$25.70	EA
925-100 T533 WEAR RING	9.250	1.000	0.125	\$25.70	EA
950-050 T533 WEAR RING	9.500	0.500	0.125	\$14.72	EA
950-062 T533 WEAR RING	9.500	0.625	0.125	\$18.06	EA
950-075 T533 WEAR RING	9.500	0.750	0.125	\$21.04	EA
950-100 T533 WEAR RING	9.500	1.000	0.125	\$25.70	EA
975-050 T533 WEAR RING	9.750	0.500	0.125	\$20.52	EA
975-075 T533 WEAR RING	9.750	0.750	0.125	\$22.68	EA
975-100 T533 WEAR RING	9.750	1.000	0.125	\$25.70	EA
1000-050 T533 WEAR RING	10.000	0.500	0.125	\$25.96	EA
1000-062 T533 WEAR RING	10.000	0.625	0.125	\$26.00	EA
1000-075 T533 WEAR RING	10.000	0.750	0.125	\$32.36	EA
1000-100 T533 WEAR RING	10.000	1.000	0.125	\$31.17	EA
1025-100 T533 WEAR RING	10.250	1.000	0.125	\$31.32	EA
1100-100 T533 WEAR RING	11.000	1.000	0.125	\$25.70	EA
1200-050 T533 WEAR RING	12.000	0.500	0.125	\$27.91	EA
1200-075 T533 WEAR RING	12.000	0.750	0.125	\$34.48	EA
1200-100 T533 WEAR RING	12.000	1.000	0.125	\$36.09	EA
1300-100 T533 WEAR RING	13.000	1.000	0.125	\$37.60	EA
1350-100 T533 WEAR RING	13.500	1.000	0.125	\$75.60	EA
1400-100 T533 WEAR RING	14.000	1.000	0.125	\$80.37	EA

***ALL ORDERS MADE ON SAME DAY
CONSIDERED ONE ORDER!***

BEARINGS

87

Technical Details

Inch

Operating Conditions

Maximum Speed	15.0 ft/sec
Temperature Range	-58 F +390 F

Typical Physical Properties

Specific Gravity	3.1		
Compression Stress at Yield	73 F	2900 p.s.i.	
Compression Stress at Yield	176 F	1300 p.s.i.	
Coefficient of Thermal Conductivity	1.4Btu/hft F		
Coefficient of Thermal Expansion	Length & Thickness 6.5 x 10 ⁻⁵ per C		

Coefficient of Dynamic Friction	Dry	Lubricated
	0.25	0.05

Bearing Strip Tolerances

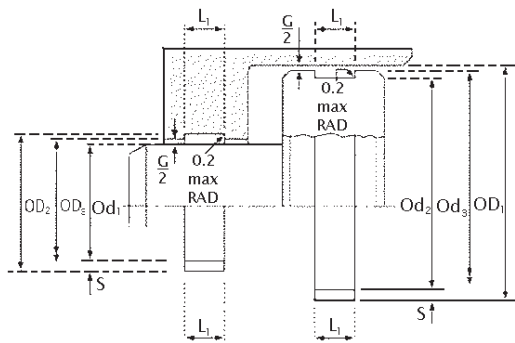
L ₁	S
-0.1 -0.5	+0.03 -0.05

Surface Roughness

	µmR _a	µmR _t	µinCLA	µinRMS
Dynamic Sealing Face OD ₁ OD ₂	0.4	4 max	16	18
Static Housing Faces OD ₂ L ₁ OD ₂	3.2 max	16 max	125 max	140 max

Housing Details & Tolerances

Rod	OD ₁	f9	G min controls the minimum metal to metal clearance between the gland and rod or bore and piston. G max controls the maximum extrusion gap seen by a seal associated with the bearing. Typically, G min should be 0.028" but can be reduced when required by the extrusion gap for the seal and the build up of tolerances. The absolute minimum metal to metal clearance recommended is 0.004" For applications not using a seal G max - see overleaf.
	OD ₂ =OD ₁ +2S	up to: O80 H10 above: o80 H9	
	OD ₃ =OD ₁ +G	G min / max	
Piston	L ₁	-0 +0.2	
	OD ₁	H11	
	OD ₂ =OD ₁ -2S	f9	
	OD ₃ =OD ₁ -G	G min / max	
	L ₁	-0 +0.2	



Design

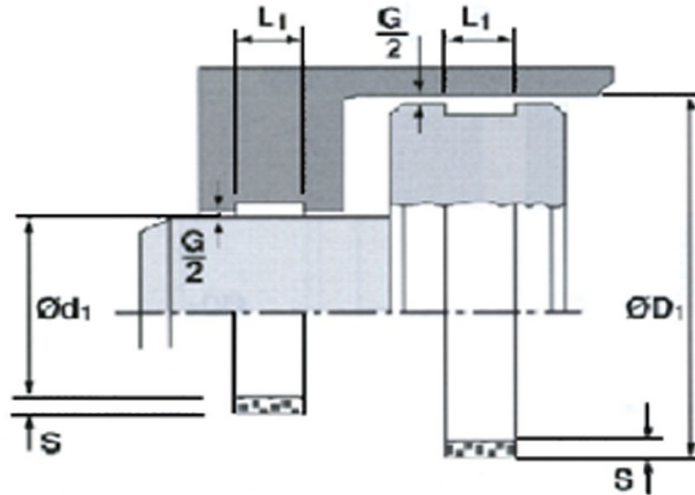
Hallite 87 bearing strip has the ability to support side loads and eliminate "stick slip" between moving parts. The accurately dimensioned rectangular cross section is produced from a special combination of PTFE and Bronze materials. It has excellent heat resistance and strength to resist creep, making it suitable for bearings with reciprocating, oscillating or rotary movement, whether lubricated or not. Our standard range of cross section sizes are proportioned to be wrapped around a wide range of rod or piston diameters. Installation of the bearing is an easy task. Calculate and measure length L2 (see overleaf), cut the strip with a sharp blade and fit to the groove. If required we will be pleased to supply bearings to your sizes. Independent testing has established the typical properties which make the Hallite 87 worthwhile considering for many applications other than hydraulic or pneumatic cylinders. When using the compressive stress at yield in your calculation it is suggested a 4:1 factor of safety is applied.

The material is compatible with hydraulic mineral oil, lubricating oil, water based and synthetic fire resistant fluids and lubricating grease. Although the material is rated at 200°C, the recommended maximum temperature for bearing applications is 60°C.

Features

- * Low friction
- * Infinite length range
- * Easy installation
- * Extremely flexible

BRONZE FILLED WEAR TAPE



BRONZE FILLED WEAR STRIP TAPE

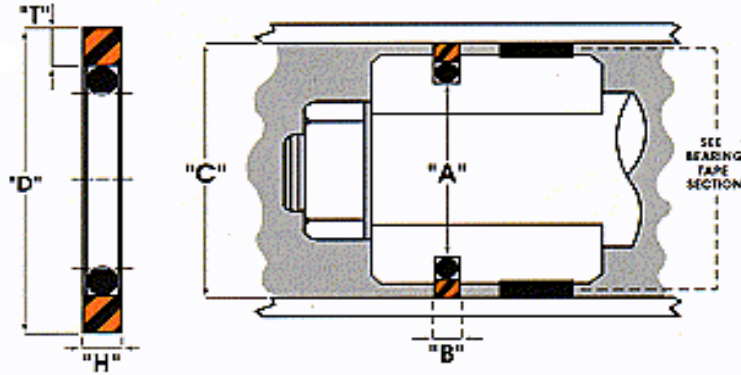
ITEM DESCRIPTION	WIDTH	THICKNESS	LIST PRICE	UOM
1/4 X 1/16 BRONZE WEAR STRIP	0.250	0.063	\$6.58	PER FT.
3/8 X 1/16 BRONZE WEAR STRIP	0.375	0.063	\$7.19	PER FT.
1/2 X 1/16 BRONZE WEAR STRIP	0.500	0.063	\$8.42	PER FT.
5/8 X 1/16 BRONZE WEAR STRIP	0.625	0.063	\$9.70	PER FT.
3/4 X 1/16 BRONZE WEAR STRIP	0.750	0.063	\$10.72	PER FT.
1-0/0 X 1/16 BRONZE WEAR STRIP	1.000	0.063	\$13.12	PER FT.
1-1/4 X 1/16 BRONZE WEAR STRIP	1.250	0.063	\$16.08	PER FT.
1-1/2 X 1/16 BRONZE WEAR STRIP	1.500	0.063	\$18.01	PER FT.
1-3/4 X 1/16 BRONZE WEAR STRIP	1.750	0.063	\$20.31	PER FT.
2-0/0 X 1/16 BRONZE WEAR STRIP	2.000	0.063	\$22.25	PER FT.
1/4 X 3/32 BRONZE WEAR STRIP	0.250	0.094	\$8.98	PER FT.
3/8 X 3/32 BRONZE WEAR STRIP	0.375	0.094	\$9.74	PER FT.
1/2 X 3/32 BRONZE WEAR STRIP	0.500	0.094	\$11.43	PER FT.
5/8 X 3/32 BRONZE WEAR STRIP	0.625	0.094	\$13.32	PER FT.
3/4 X 3/32 BRONZE WEAR STRIP	0.750	0.094	\$14.59	PER FT.
1-0/0 X 3/32 BRONZE WEAR STRIP	1.000	0.094	\$17.91	PER FT.
1-1/4 X 3/32 BRONZE WEAR STRIP	1.250	0.094	\$23.52	PER FT.
1-1/2 X 3/32 BRONZE WEAR STRIP	1.500	0.094	\$26.44	PER FT.
1-3/4 X 3/32 BRONZE WEAR STRIP	1.750	0.094	\$29.70	PER FT.
2-0/0 X 3/32 BRONZE WEAR STRIP	2.000	0.094	\$32.65	PER FT.
1/4 X 1/8 BRONZE WEAR STRIP	0.250	0.125	\$11.94	PER FT.
3/8 X 1/8 BRONZE WEAR STRIP	0.375	0.125	\$13.02	PER FT.
1/2 X 1/8 BRONZE WEAR STRIP	0.500	0.125	\$15.25	PER FT.
5/8 X 1/8 BRONZE WEAR STRIP	0.625	0.125	\$17.76	PER FT.
3/4 X 1/8 BRONZE WEAR STRIP	0.750	0.125	\$19.44	PER FT.
1-0/0 X 1/8 BRONZE WEAR STRIP	1.000	0.125	\$23.83	PER FT.
1-1/4 X 1/8 BRONZE WEAR STRIP	1.250	0.125	\$31.38	PER FT.
1-1/2 X 1/8 BRONZE WEAR STRIP	1.500	0.125	\$35.16	PER FT.

BRONZE FILLED WEAR STRIP TAPE

ITEM DESCRIPTION		WIDTH	THICKNESS	LIST PRICE	UOM
1-3/4 X 1/8	BRONZE WEAR STRIP	1.750	0.125	\$39.60	PER FT.
2-0/0 X 1/8	BRONZE WEAR STRIP	2.000	0.125	\$43.52	PER FT.

***Don't See It?
Other Sizes and Styles are
Available Upon Request.***

TYPE 1400 PISTON SEAL



TYPE 1400 SERIES PISTON SEALS

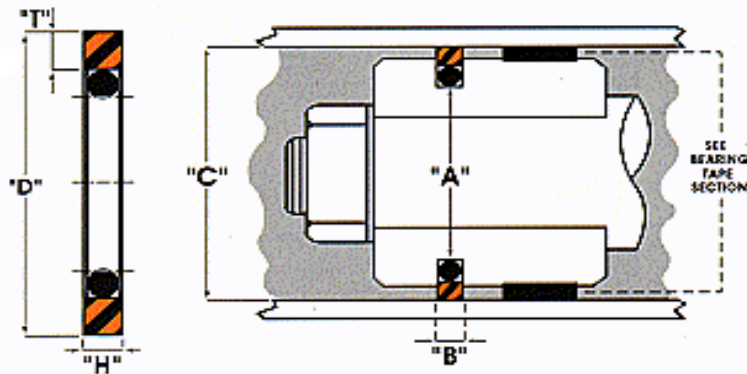
ITEM DESCRIPTION	BORE DIA.	SEAL C.S. & WIDTH	GROOVE DIA.	GROOVE WIDTH	LIST PRICE	UOM
PS 1400-08 PISTON SEAL	0.500	.070 +/- / -.005	0.240	.083 +/- / -.002	\$1.91	EA
PS 1400-10 PISTON SEAL	0.625	.070 +/- / -.005	0.340	.083 +/- / -.002	\$1.98	EA
PS 1400-12 PISTON SEAL	0.750	.070 +/- / -.005	0.490	.083 +/- / -.002	\$2.06	EA
PS 1400-14 PISTON SEAL	0.875	.070 +/- / -.005	0.615	.083 +/- / -.002	\$2.10	EA
PS 1400-16 PISTON SEAL	1.000	.070 +/- / -.005	0.741	.083 +/- / -.002	\$2.10	EA
PS 1400-18 PISTON SEAL	1.125	.070 +/- / -.005	0.866	.083 +/- / -.002	\$2.30	EA
PS 1400-20 PISTON SEAL	1.250	.070 +/- / -.005	0.991	.083 +/- / -.002	\$2.33	EA
PS 1400-22 PISTON SEAL	1.375	.070 +/- / -.005	1.116	.083 +/- / -.002	\$2.71	EA
PS 1400-24 PISTON SEAL	1.500	.070 +/- / -.005	1.241	.083 +/- / -.002	\$3.10	EA
PS 1400-25 PISTON SEAL	1.563	.070 +/- / -.005	1.241	.083 +/- / -.002	\$4.21	EA
PS 1400-26 PISTON SEAL	1.625	.109 +/- / -.010	1.255	.122 +/- / -.002	\$2.98	EA
PS 1400-28 PISTON SEAL	1.750	.109 +/- / -.010	1.360	.122 +/- / -.002	\$3.14	EA
PS 1400-30 PISTON SEAL	1.875	.109 +/- / -.010	1.485	.122 +/- / -.002	\$4.05	EA
PS 1400-32 PISTON SEAL	2.000	.115 +/- / -.010	1.606	.130 +/- / -.002	\$4.24	EA
PS 1400-34 PISTON SEAL	2.125	.115 +/- / -.010	1.731	.130 +/- / -.002	\$4.33	EA
PS 1400-36 PISTON SEAL	2.250	.115 +/- / -.010	1.865	.130 +/- / -.002	\$4.36	EA
PS 1400-38 PISTON SEAL	2.375	.115 +/- / -.010	1.983	.130 +/- / -.002	\$4.79	EA
PS 1400-40 PISTON SEAL	2.500	.115 +/- / -.010	2.106	.130 +/- / -.002	\$4.83	EA
PS 1400-42 PISTON SEAL	2.625	.115 +/- / -.010	2.233	.130 +/- / -.002	\$4.89	EA
PS 1400-44 PISTON SEAL	2.750	.115 +/- / -.010	2.356	.130 +/- / -.002	\$5.01	EA
PS 1400-46 PISTON SEAL	2.875	.115 +/- / -.010	2.483	.130 +/- / -.002	\$5.04	EA
PS 1400-48 PISTON SEAL	3.000	.115 +/- / -.010	2.606	.130 +/- / -.002	\$5.13	EA
PS 1400-50 PISTON SEAL	3.125	.115 +/- / -.010	2.656	.130 +/- / -.002	\$5.42	EA
PS 1400-52 PISTON SEAL	3.250	.115 +/- / -.010	2.856	.130 +/- / -.002	\$5.88	EA
PS 1400-54 PISTON SEAL	3.375	.115 +/- / -.010	2.983	.130 +/- / -.002	\$6.15	EA
PS 1400-56 PISTON SEAL	3.500	.115 +/- / -.010	3.106	.130 +/- / -.002	\$6.23	EA
PS 1400-58 PISTON SEAL	3.625	.115 +/- / -.010	3.231	.130 +/- / -.002	\$6.35	EA
PS 1400-60 PISTON SEAL	3.750	.115 +/- / -.010	3.356	.130 +/- / -.002	\$6.42	EA
PS 1400-64 PISTON SEAL	4.000	.115 +/- / -.010	3.606	.130 +/- / -.002	\$6.54	EA
PS 1400-68 PISTON SEAL	4.250	.115 +/- / -.010	3.856	.130 +/- / -.002	\$7.22	EA
PS 1400-72 PISTON SEAL	4.500	.115 +/- / -.010	4.106	.130 +/- / -.002	\$7.59	EA
PS 1400-76 PISTON SEAL	4.750	.115 +/- / -.010	4.356	.130 +/- / -.002	\$9.47	EA
PS 1400-78 PISTON SEAL	4.875	.115 +/- / -.010	4.483	.130 +/- / -.002	\$9.52	EA
PS 1400-80 PISTON SEAL	5.000	.115 +/- / -.010	4.606	.130 +/- / -.002	\$9.52	EA
PS 1400-80 BRZ PISTON SEAL	5.000	.115 +/- / -.010	4.606	.130 +/- / -.002	\$14.49	EA

TYPE 1400 SERIES PISTON SEALS

ITEM DESCRIPTION	BORE DIA.	SEAL C.S. & WIDTH	GROOVE DIA.	GROOVE WIDTH	LIST PRICE	UOM
PS 1400-84 PISTON SEAL	5.250	.115 +/- / -.010	4.856	.130 +/- / -.002	\$11.50	EA
PS 1400-84 BRZ PISTON SEAL	5.250	.115 +/- / -.010	4.856	.130 +/- / -.002	\$17.54	EA
PS 1400-88 PISTON SEAL	5.500	.115 +/- / -.010	5.106	.130 +/- / -.002	\$12.09	EA
PS 1400-92 PISTON SEAL	5.750	.143 +/- / -.010	5.232	.159 +/- / -.003	\$10.86	EA
PS 1400-94 PISTON SEAL	5.875	.143 +/- / -.010	5.357	.159 +/- / -.003	\$23.69	EA
PS 1400-96 PISTON SEAL	6.000	.143 +/- / -.010	5.482	.159 +/- / -.003	\$11.02	EA
PS 1400-98 PISTON SEAL	6.125	.143 +/- / -.010	5.607	.159 +/- / -.003	\$13.69	EA
PS 1400-100 PISTON SEAL	6.250	.143 +/- / -.010	5.732	.159 +/- / -.003	\$11.50	EA
PS 1400-104 PISTON SEAL	6.500	.143 +/- / -.010	5.982	.159 +/- / -.003	\$12.14	EA
PS 1400-104 BRZ PISTON SEAL	6.500	.143 +/- / -.010	5.982	.159 +/- / -.003	\$18.56	EA
PS 1400-108 PISTON SEAL	6.750	.143 +/- / -.010	6.232	.159 +/- / -.003	\$12.68	EA
PS 1400-112 PISTON SEAL	7.000	.143 +/- / -.010	6.482	.159 +/- / -.003	\$13.10	EA
PS 1400-112 BRONZE PISTON SEAL	7.000	.143 +/- / -.010	6.482	.159 +/- / -.003	\$20.06	EA
PS 1400-114 PISTON SEAL	7.125	.143 +/- / -.010	6.607	.159 +/- / -.003	\$26.05	EA
PS 1400-116 PISTON SEAL	7.250	.143 +/- / -.010	6.732	.159 +/- / -.003	\$13.48	EA
PS 1400-120 PISTON SEAL	7.500	.143 +/- / -.010	6.982	.159 +/- / -.003	\$15.62	EA
PS 1400-124 PISTON SEAL	7.750	.143 +/- / -.010	7.232	.159 +/- / -.003	\$15.83	EA
PS 1400-128 PISTON SEAL	8.000	.143 +/- / -.010	7.482	.159 +/- / -.003	\$16.15	EA
PS 1400-130 PISTON SEAL	8.125	.143 +/- / -.010	7.607	.159 +/- / -.003	\$25.27	EA
PS 1400-132 PISTON SEAL	8.250	.143 +/- / -.010	7.732	.159 +/- / -.003	\$23.96	EA
PS 1400-136 PISTON SEAL	8.500	.143 +/- / -.010	7.982	.159 +/- / -.003	\$24.23	EA
PS 1400-140 PISTON SEAL	8.750	.143 +/- / -.010	8.232	.159 +/- / -.003	\$31.56	EA
PS 1400-144 PISTON SEAL	9.000	.143 +/- / -.010	8.482	.159 +/- / -.003	\$33.48	EA
PS 1400-148 PISTON SEAL	9.250	.143 +/- / -.010	8.732	.159 +/- / -.003	\$45.57	EA
PS 1400-152 PISTON SEAL	9.500	.143 +/- / -.010	8.982	.159 +/- / -.003	\$47.33	EA
PS 1400-154 PISTON SEAL	9.750	.143 +/- / -.010	9.232	.159 +/- / -.003	\$48.30	EA
PS 1400-160 PISTON SEAL	10.000	.143 +/- / -.010	9.482	.159 +/- / -.003	\$50.44	EA
PS 1400-164 PISTON SEAL	10.250	.143 +/- / -.010	9.732	.159 +/- / -.003	\$52.63	EA
PS 1400-168 PISTON SEAL	10.500	.143 +/- / -.010	9.982	.159 +/- / -.003	\$53.91	EA
PS 1400-172 PISTON SEAL	10.750	.143 +/- / -.010	10.232	.159 +/- / -.003	\$56.59	EA
PS 1400-176 PISTON SEAL	11.000	.143 +/- / -.010	10.482	.159 +/- / -.003	\$57.76	EA
PS 1400-184 PISTON SEAL	11.500	.143 +/- / -.010	10.982	.159 +/- / -.003	\$59.15	EA
PS 1400-192 PISTON SEAL	12.000	.143 +/- / -.010	11.482	.159 +/- / -.003	\$61.08	EA
PS 1400-200 PISTON SEAL	12.500	.143 +/- / -.010	11.982	.159 +/- / -.003	\$62.63	EA
PS 1400-208 PISTON SEAL	13.000	.143 +/- / -.010	12.482	.159 +/- / -.003	\$63.86	EA
PS 1400-212 PISTON SEAL	14.000	.143 +/- / -.010	13.482	.159 +/- / -.003	\$64.72	EA
PS 1400-216 PISTON SEAL	15.000	.143 +/- / -.010	14.482	.159 +/- / -.003	\$71.40	EA
PS 1400-220 PISTON SEAL	16.000	.143 +/- / -.010	15.482	.159 +/- / -.003	\$78.14	EA

BACK-ORDERS WILL NOT BE SENT WITHOUT NOTICE!

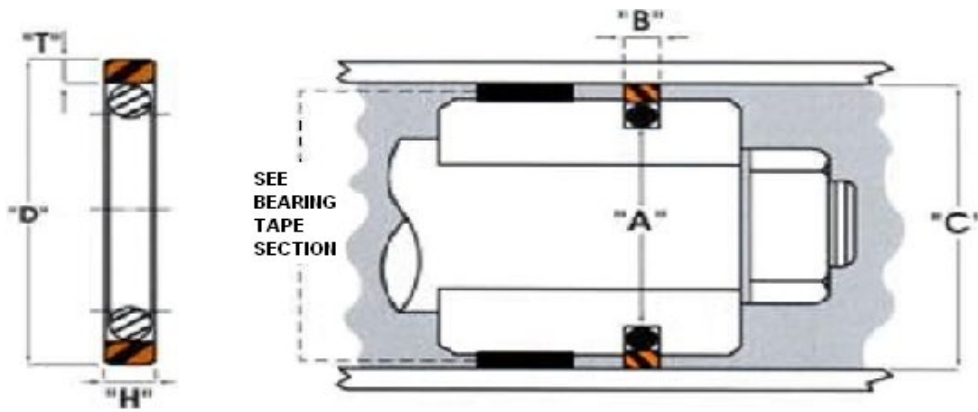
TYPE 1600 PISTON SEAL



TYPE 1600 SERIES PISTON SEALS

ITEM DESCRIPTION	BORE DIA.	SEAL C.S. & WIDTH	GROOVE DIA.	GROOVE WIDTH	LIST PRICE	UOM
PS 1600-16 PISTON SEAL	1.000	.055 & .088 +/- / -.005	0.787	.094 +/- / -.002	\$9.11	EA
PS 1600-18 PISTON SEAL	1.125	.055 & .088 +/- / -.005	0.912	.094 +/- / -.002	\$9.16	EA
PS 1600-20 PISTON SEAL	1.250	.055 & .088 +/- / -.005	1.037	.094 +/- / -.002	\$9.22	EA
PS 1600-22 PISTON SEAL	1.375	.055 & .088 +/- / -.005	1.162	.094 +/- / -.002	\$9.22	EA
PS 1600-24 PISTON SEAL	1.500	.055 & .088 +/- / -.005	1.287	.094 +/- / -.002	\$9.27	EA
PS 1600-26 PISTON SEAL	1.625	.055 & .088 +/- / -.005	1.412	.094 +/- / -.002	\$9.32	EA
PS 1600-28 PISTON SEAL	1.750	.055 & .088 +/- / -.005	1.473	.094 +/- / -.002	\$9.43	EA
PS 1600-30 PISTON SEAL	1.875	.060 & .120 +/- / -.010	1.598	.126 +/- / -.002	\$10.77	EA
PS 1600-32 PISTON SEAL	2.000	.060 & .120 +/- / -.010	1.723	.126 +/- / -.002	\$10.93	EA
PS 1600-34 PISTON SEAL	2.125	.060 & .120 +/- / -.010	1.903	.126 +/- / -.002	\$17.79	EA
PS 1600-36 PISTON SEAL	2.250	.060 & .120 +/- / -.010	1.937	.126 +/- / -.002	\$11.09	EA
PS 1600-40 PISTON SEAL	2.500	.060 & .120 +/- / -.010	2.223	.126 +/- / -.002	\$11.25	EA
PS 1600-44 PISTON SEAL	2.750	.090 & .150 +/- / -.010	2.348	.157 +/- / -.003	\$11.36	EA
PS 1600-48 PISTON SEAL	3.000	.090 & .150 +/- / -.010	2.603	.157 +/- / -.003	\$11.47	EA
PS 1600-52 PISTON SEAL	3.250	.090 & .150 +/- / -.010	2.853	.157 +/- / -.003	\$13.18	EA
PS 1600-56 PISTON SEAL	3.500	.090 & .150 +/- / -.010	3.103	.157 +/- / -.003	\$13.24	EA
PS 1600-60 PISTON SEAL	3.750	.090 & .150 +/- / -.010	3.353	.157 +/- / -.003	\$13.34	EA
PS 1600-64 PISTON SEAL	4.000	.090 & .150 +/- / -.010	3.603	.157 +/- / -.003	\$13.34	EA
PS 1600-68 PISTON SEAL	4.250	.090 & .150 +/- / -.010	3.853	.157 +/- / -.003	\$13.40	EA
PS 1600-72 PISTON SEAL	4.500	.090 & .150 +/- / -.010	4.103	.157 +/- / -.003	\$14.04	EA
PS 1600-76 PISTON SEAL	4.750	.090 & .150 +/- / -.010	4.353	.157 +/- / -.003	\$14.04	EA
PS 1600-80 PISTON SEAL	5.000	.090 & .150 +/- / -.010	4.603	.157 +/- / -.003	\$14.09	EA
PS 1600-84 PISTON SEAL	5.250	.090 & .150 +/- / -.010	4.853	.157 +/- / -.003	\$14.09	EA
PS 1600-88 PISTON SEAL	5.500	.090 & .150 +/- / -.010	5.103	.157 +/- / -.003	\$14.15	EA
PS 1600-92 PISTON SEAL	5.750	.090 & .150 +/- / -.010	5.353	.157 +/- / -.003	\$15.97	EA
PS 1600-96 PISTON SEAL	6.000	.120 & .287 +/- / -.010	5.305	.293 +/- / -.003	\$32.04	EA
PS 1600-104 PISTON SEAL	6.500	.120 & .287 +/- / -.010	6.103	.293 +/- / -.003	\$41.85	EA
PS 1600-112 PISTON SEAL	7.000	.120 & .287 +/- / -.010	6.305	.293 +/- / -.003	\$44.91	EA
PS 1600-120 PISTON SEAL	7.500	.120 & .287 +/- / -.010	7.103	.293 +/- / -.003	\$47.24	EA

TYPE 1800 PISTON SEAL



TYPE 1800 SERIES PISTON SEALS

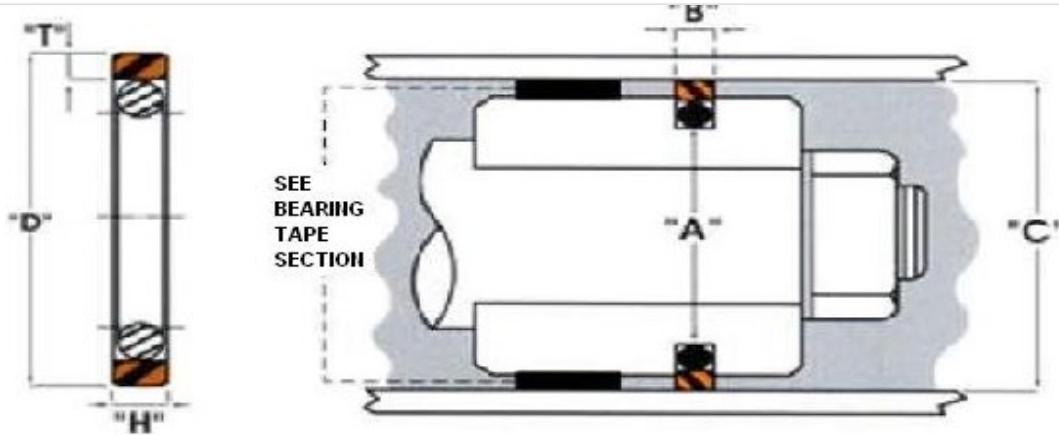
ITEM DESCRIPTION	BORE DIA.	SEAL C.S. & WIDTH	GROOVE DIA.	GROOVE WIDTH	LIST PRICE	UOM
PS 1800-16 PISTON SEAL	1.000	.067 - .073	0.692	.125 - .128	\$5.52	EA
PS 1800-18 PISTON SEAL	1.125	.067 - .073	0.692	.125 - .128	\$5.52	EA
PS 1800-20 PISTON SEAL	1.250	.067 - .073	0.942	.125 - .128	\$5.63	EA
PS 1800-22 PISTON SEAL	1.375	.067 - .073	0.942	.125 - .128	\$5.80	EA
PS 1800-24 PISTON SEAL	1.500	.067 - .073	1.192	.125 - .128	\$6.00	EA
PS 1800-28 PISTON SEAL	1.750	.067 - .073	1.443	.125 - .128	\$6.59	EA
PS 1800-32 PISTON SEAL	2.000	.067 - .073	1.693	.125 - .128	\$7.34	EA
PS 1800-36 PISTON SEAL	2.250	.067 - .073	1.943	.125 - .128	\$7.56	EA
PS 1800-40 PISTON SEAL	2.500	.067 - .073	2.193	.125 - .128	\$8.10	EA
PS 1800-44 PISTON SEAL	2.750	.067 - .073	2.443	.125 - .128	\$9.60	EA
PS 1800-48 PISTON SEAL	3.000	.087 - .093	2.443	.278 - .280	\$11.86	EA
PS 1800-52 PISTON SEAL	3.250	.087 - .093	2.695	.278 - .280	\$12.46	EA
PS 1800-56 PISTON SEAL	3.500	.087 - .093	2.945	.278 - .280	\$13.13	EA
PS 1800-60 PISTON SEAL	3.750	.087 - .093	3.195	.278 - .280	\$15.35	EA
PS 1800-64 PISTON SEAL	4.000	.087 - .093	3.445	.278 - .280	\$16.42	EA
PS 1800-66 PISTON SEAL	4.125	.087 - .093	3.570	.278 - .280	\$16.95	EA
PS 1800-68 PISTON SEAL	4.250	.087 - .093	3.695	.278 - .280	\$18.76	EA
PS 1800-72 PISTON SEAL	4.500	.087 - .093	3.945	.278 - .280	\$21.38	EA
PS 1800-76 PISTON SEAL	4.750	.087 - .093	4.195	.278 - .280	\$21.51	EA
PS 1800-80 PISTON SEAL	5.000	.087 - .093	4.445	.278 - .280	\$22.78	EA
PS 1800-82 PISTON SEAL	5.125	.087 - .093	4.445	.278 - .280	\$25.40	EA
PS 1800-84 PISTON SEAL	5.250	.137 - .147	4.488	.375 - .380	\$28.82	EA
PS 1800-88 PISTON SEAL	5.500	.137 - .147	4.738	.375 - .380	\$29.62	EA
PS 1800-92 PISTON SEAL	5.750	.137 - .147	4.988	.375 - .380	\$31.03	EA
PS 1800-96 PISTON SEAL	6.000	.137 - .147	5.238	.375 - .380	\$32.64	EA
PS 1800-98 PISTON SEAL	6.125	.137 - .147	5.488	.375 - .380	\$35.62	EA
PS 1800-100 PISTON SEAL	6.250	.137 - .147	5.493	.375 - .380	\$33.78	EA
PS 1800-104 PISTON SEAL	6.500	.137 - .147	5.738	.375 - .380	\$34.91	EA
PS 1800-108 PISTON SEAL	6.750	.137 - .147	5.988	.375 - .380	\$50.72	EA
PS 1800-112 PISTON SEAL	7.000	.137 - .147	6.238	.375 - .380	\$41.28	EA
PS 1800-116 PISTON SEAL	7.250	.137 - .147	6.488	.375 - .380	\$34.79	EA
PS 1800-120 PISTON SEAL	7.500	.137 - .147	6.738	.375 - .380	\$36.56	EA

TYPE 1800 SERIES PISTON SEALS

ITEM DESCRIPTION	BORE DIA.	SEAL C.S. & WIDTH	GROOVE DIA.	GROOVE WIDTH	LIST PRICE	UOM
PS 1800-124 PISTON SEAL	7.750	.137 - .147	6.988	.375 - .380	\$39.08	EA
PS 1800-128 PISTON SEAL	8.000	.137 - .147	7.238	.375 - .380	\$41.55	EA
PS 1800-132 PISTON SEAL	8.250	.137 - .147	7.488	.375 - .380	\$44.44	EA
PS 1800-136 PISTON SEAL	8.500	.137 - .147	7.738	.375 - .380	\$48.89	EA
PS 1800-144 PISTON SEAL	9.000	.195 - .210	8.122	.375 - .380	\$54.68	EA
PS 1800-152 PISTON SEAL	9.500	.195 - .210	8.622	.375 - .380	\$67.01	EA
PS 1800-160 PISTON SEAL	10.000	.195 - .210	9.122	.375 - .380	\$72.38	EA
PS 1800-168 PISTON SEAL	10.500	.195 - .210	9.629	.375 - .380	\$112.58	EA
PS 1800-176 PISTON SEAL	11.000	.195 - .210	10.122	.375 - .380	\$133.96	EA
PS 1800-192 PISTON SEAL	12.000	.195 - .210	11.122	.375 - .380	\$148.50	EA
PS 1800-208 PISTON SEAL	13.000	.195 - .210	12.122	.375 - .380	\$134.51	EA
PS 1800-224 PISTON SEAL	14.000	.195 - .210	13.122	.375 - .380	\$153.22	EA
PS 1800-228 PISTON SEAL	15.000	.195 - .210	14.122	.375 - .380	\$166.20	EA

**QUALITY AND
RELIABLE SERVICE!
LOW SHIPPING
COSTS!**

TYPE 1800 BRONZE-FILLED PISTON SEALS



TYPE 1800 SERIES BRONZE FILLED PISTON SEALS

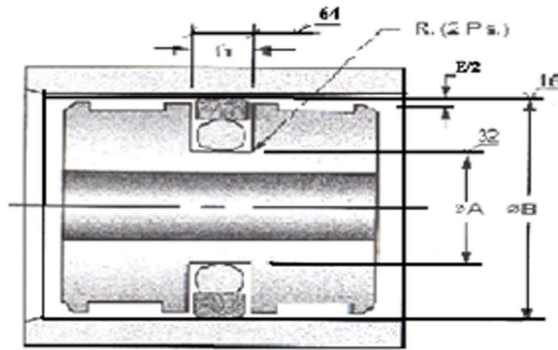
ITEM DESCRIPTION	BORE DIA.	SEAL C.S. & WIDTH	GROOVE DIA.	GROOVE WIDTH	LIST PRICE	UOM
PS 1800-16 PISTON SEAL	1.000	0.067- 0.073	0.690	0.129 +/- .002	\$7.56	EA
PS 1800-20 PISTON SEAL	1.250	0.067- 0.073	0.940	0.129 +/- .002	\$7.67	EA
PS 1800-22 PISTON SEAL	1.375	0.067- 0.073	0.940	0.129 +/- .002	\$7.88	EA
PS 1800-24 PISTON SEAL	1.500	0.067- 0.073	1.190	0.129 +/- .002	\$8.15	EA
PS 1800-28 PISTON SEAL	1.750	0.067- 0.073	1.440	0.129 +/- .002	\$8.90	EA
PS 1800-32 PISTON SEAL	2.000	0.067- 0.073	1.690	0.129 +/- .002	\$9.97	EA
PS 1800-36 PISTON SEAL	2.250	0.067- 0.073	1.940	0.129 +/- .002	\$10.24	EA
PS 1800-40 PISTON SEAL	2.500	0.067- 0.073	2.190	0.129 +/- .002	\$10.62	EA
PS 1800-44 PISTON SEAL	2.750	0.067- 0.073	2.440	0.129 +/- .002	\$12.17	EA
PS 1800-48 PISTON SEAL	3.000	0.087- 0.093	2.440	0.284 +/- .002	\$12.26	EA
PS 1800-52 PISTON SEAL	3.250	0.087- 0.093	2.690	0.284 +/- .002	\$15.44	EA
PS 1800-56 PISTON SEAL	3.500	0.087- 0.093	2.940	0.284 +/- .002	\$17.29	EA
PS 1800-60 PISTON SEAL	3.750	0.087- 0.093	3.190	0.284 +/- .002	\$18.01	EA
PS 1800-64 PISTON SEAL	4.000	0.087- 0.093	3.440	0.284 +/- .002	\$20.21	EA
PS 1800-66 PISTON SEAL	4.125	0.087- 0.093	3.570	0.284 +/- .002	\$20.59	EA
PS 1800-68 PISTON SEAL	4.250	0.087- 0.093	3.690	0.284 +/- .002	\$23.66	EA
PS 1800-72 PISTON SEAL	4.500	0.087- 0.093	3.940	0.284 +/- .002	\$25.96	EA
PS 1800-76 PISTON SEAL	4.750	0.087- 0.093	4.190	0.284 +/- .002	\$27.09	EA
PS 1800-80 PISTON SEAL	5.000	0.087- 0.093	4.440	0.284 +/- .002	\$28.05	EA
PS 1800-82 PISTON SEAL	5.125	0.087- 0.093	4.445	0.284 +/- .002	\$33.19	EA
PS 1800-84 PISTON SEAL	5.250	0.137- 0.147	4.488	0.379 +/- .002	\$33.19	EA
PS 1800-88 PISTON SEAL	5.500	0.137- 0.147	4.738	0.379 +/- .002	\$35.60	EA
PS 1800-92 PISTON SEAL	5.750	0.137- 0.147	4.988	0.379 +/- .002	\$40.53	EA
PS 1800-96 PISTON SEAL	6.000	0.137- 0.147	5.238	0.379 +/- .002	\$41.68	EA
PS 1800-100 PISTON SEAL	6.250	0.137- 0.147	5.493	0.379 +/- .002	\$42.65	EA
PS 1800-104 PISTON SEAL	6.500	0.137- 0.147	5.738	0.379 +/- .002	\$43.65	EA
PS 1800-108 PISTON SEAL	6.750	0.137- 0.147	5.988	0.379 +/- .002	\$73.13	EA
PS 1800-112 PISTON SEAL	7.000	0.137- 0.147	6.238	0.379 +/- .002	\$44.48	EA
PS 1800-116 PISTON SEAL	7.250	0.137- 0.147	6.488	0.379 +/- .002	\$44.56	EA
PS 1800-120 PISTON SEAL	7.500	0.137- 0.147	6.738	0.379 +/- .002	\$44.66	EA
PS 1800-124 PISTON SEAL	7.750	0.137- 0.147	6.988	0.379 +/- .002	\$47.07	EA

TYPE 1800 SERIES BRONZE FILLED PISTON SEALS

ITEM DESCRIPTION	BORE DIA.	SEAL C.S. & WIDTH	GROOVE DIA.	GROOVE WIDTH	LIST PRICE	UOM
<i>PS 1800-128 PISTON SEAL</i>	8.000	0.137- 0.147	7.238	0.379 +/- / .002	\$51.09	EA
<i>PS 1800-132 PISTON SEAL</i>	8.250	0.137- 0.147	7.488	0.379 +/- / .002	\$61.28	EA
<i>PS 1800-136 PISTON SEAL</i>	8.500	0.137- 0.147	7.738	0.379 +/- / .002	\$61.26	EA
<i>PS 1800-144 PISTON SEAL</i>	9.000	0.195- 0.210	8.122	0.379 +/- / .002	\$68.89	EA
<i>PS 1800-152 PISTON SEAL</i>	9.500	0.195- 0.210	8.622	0.379 +/- / .002	\$87.23	EA
<i>PS 1800-155 PISTON SEAL</i>	9.750	0.195- 0.210	8.622	0.379 +/- / .002	\$85.11	EA
<i>PS 1800-160 PISTON SEAL</i>	10.000	0.195- 0.210	9.122	0.379 +/- / .002	\$90.07	EA
<i>PS 1800-166 PISTON SEAL</i>	10.250	0.195- 0.210	9.262	0.379 +/- / .002	\$97.26	EA
<i>PS 1800-168 PISTON SEAL</i>	10.500	0.195- 0.210	9.629	0.379 +/- / .002	\$112.58	EA
<i>PS 1800-176 PISTON SEAL</i>	11.000	0.195- 0.210	10.122	0.379 +/- / .002	\$172.17	EA
<i>PS 1800-192 PISTON SEAL</i>	12.000	0.195- 0.210	11.122	0.379 +/- / .002	\$172.17	EA
<i>PS 1800-200 PISTON SEAL</i>	12.500	0.195- 0.210	12.622	0.379 +/- / .002	\$131.51	EA
<i>PS 1800-208 PISTON SEAL</i>	13.000	0.195- 0.210	12.122	0.379 +/- / .002	\$185.75	EA
<i>PS 1800-224 PISTON SEAL</i>	14.000	0.195- 0.210	13.122	0.379 +/- / .002	\$299.20	EA
<i>PS 1800-228 PISTON SEAL</i>	15.000	0.195- 0.210	14.122	0.379 +/- / .002	\$197.50	EA
<i>PS 1800-230 PISTON SEAL</i>	16.000	0.195- 0.210	15.122	0.379 +/- / .002	\$290.04	EA

**QUALITY AND
RELIABLE
SERVICE! LOW
SHIPPING COSTS!**

PSA 24 SERIES PISTON



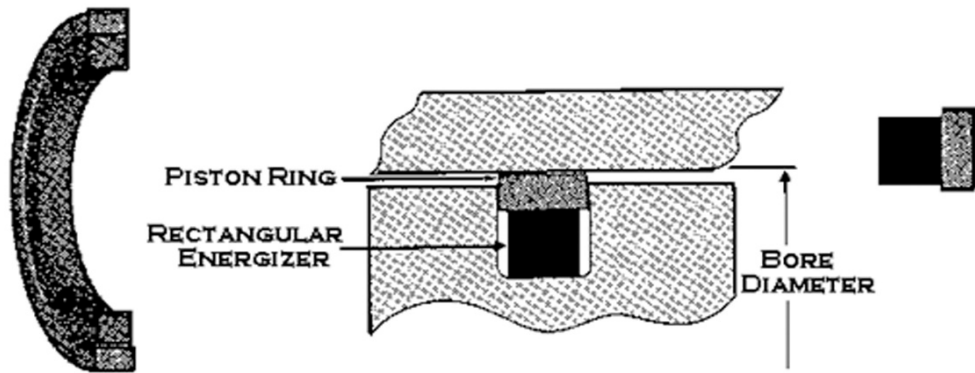
PSA CROSS-SECTION

PSA SERIES PISTON SEALS - BRONZE FILLED 2/PC

ITEM DESCRIPTION	BORE	GROOVE DIA.	GROOVE WIDTH	O-RING	LIST PRICE	UOM
PSA2-24 PISTON SEAL	1.500	1.205	0.126	217	\$7.08	EA
PSA2-32 PISTON SEAL	2.000	1.576	0.166	223	\$7.45	EA
PSA2-40 PISTON SEAL	2.500	2.076	0.166	227	\$8.94	EA
PSA2-48 PISTON SEAL	3.000	2.576	0.166	231	\$11.07	EA
PSA2-52 PISTON SEAL	4.000	3.576	0.166	238	\$17.10	EA
PSA3-50 PISTON SEAL	3.000	2.384	0.247	332	\$13.55	EA
PSA3-56 PISTON SEAL	3.500	2.884	0.247	336	\$17.87	EA
PSA3-64 PISTON SEAL	4.000	3.384	0.247	340	\$20.85	EA
PSA3-68 PISTON SEAL	4.250	3.634	0.282	342	\$22.71	EA
PSA4-104 PISTON SEAL	6.500	5.670	0.379	434	\$101.28	EA
PSA4-144 PISTON SEAL	9.000	8.170	0.320	445	\$82.83	EA
PSA4-160 PISTON SEAL	16.000	15.144	0.375	447	TBD	EA

**QUALITY AND
RELIABLE
SERVICE!
LOW
SHIPPING
COSTS!**

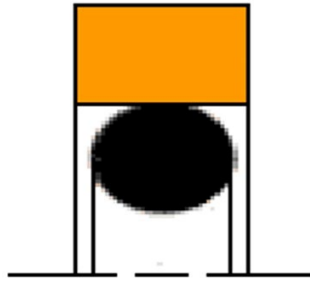
CATERPILLAR 2 PC. PISTON SEALS



TWO PIECE PISTON SEALS

ITEM DESCRIPTION	BORE DIA.	LIST PRICE	UOM
5J4986A PISTON SEAL	4.500	\$25.47	EA
5J4987A PISTON SEAL	4.750	\$26.87	EA
5J4988A PISTON SEAL	5.500	\$30.25	EA
5J4989A PISTON SEAL	6.000	\$33.32	EA
5J4990A PISTON SEAL	6.250	\$35.45	EA
5J4991A PISTON SEAL	6.500	\$36.98	EA
5J4997A PISTON SEAL	7.000	\$38.98	EA
5J4993A PISTON SEAL	7.250	\$47.65	EA
9J7117A PISTON SEAL	7.500	\$49.32	EA
5J5020A PISTON SEAL	5.000	\$27.65	EA
5J5402A PISTON SEAL	4.000	\$21.83	EA
5J5559A PISTON SEAL	8.250	\$62.27	EA
5J7016A PISTON SEAL	7.750	\$58.05	EA
5J7004A PISTON SEAL	2.000	\$18.88	EA
5J7010A PISTON SEAL	2.750	\$19.72	EA
5J7013A PISTON SEAL	3.500	\$20.69	EA
5J8011A PISTON SEAL	3.750	\$21.53	EA
5J7019A PISTON SEAL	9.250	\$75.63	EA
5J7234A PISTON SEAL	5.250	\$29.74	EA
5J7854A PISTON SEAL	4.250	\$23.15	EA
6J0793A PISTON SEAL	3.250	\$20.30	EA
6J1972A PISTON SEAL	3.000	\$19.95	EA
6J9385A PISTON SEAL	8.500	\$65.98	EA
8J6213A PISTON SEAL	2.500	\$19.53	EA

1704 POLY-HONE PISTON SEALS



TYPE 1704 POLY-HONE SQUARE SEALS

ITEM DESCRIPTION	O.D.	I.D.	WIDTH	LIST PRICE	UOM
1704-032 PISTON SEAL	2.000	1.606	0.130	\$5.93	EA
1704-040 PISTON SEAL	2.500	2.106	0.130	\$6.28	EA
1704-044 PISTON SEAL	2.750	2.356	0.130	\$6.39	EA
1704-048 PISTON SEAL	3.000	2.606	0.130	\$6.48	EA
1704-052 PISTON SEAL	3.250	2.856	0.130	\$6.82	EA
1704-056 PISTON SEAL	3.500	3.106	0.130	\$6.82	EA
1704-064 PISTON SEAL	4.000	3.606	0.130	\$6.87	EA
1704-068 PISTON SEAL	4.250	3.856	0.130	\$8.27	EA
1704-072 PISTON SEAL	4.500	4.106	0.130	\$8.32	EA
1704-076 PISTON SEAL	4.750	4.356	0.130	\$8.44	EA
1704-080 PISTON SEAL	5.000	4.606	0.130	\$8.49	EA
1704-084 PISTON SEAL	5.250	4.856	0.130	\$9.08	EA
1704-088 PISTON SEAL	5.500	5.106	0.130	\$9.12	EA
1704-096 PISTON SEAL	6.000	5.482	0.159	\$10.52	EA
1704-104 PISTON SEAL	6.500	5.982	0.159	\$10.72	EA
1704-112 PISTON SEAL	7.000	6.482	0.159	\$12.18	EA
1704-120 PISTON SEAL	7.500	6.982	0.159	\$13.40	EA
1704-128 PISTON SEAL	8.000	7.482	0.159	\$15.30	EA

Piston seals

TECHNICAL DETAILS

METRIC

INCH

OPERATING CONDITIONS

MAXIMUM SPEED	1.0 m/sec	3.0 ft/sec
TEMPERATURE RANGE	-40°C + 110°C	-40°F + 230°F
MAXIMUM PRESSURE	350 bar	5000 p.s.i.

MAXIMUM EXTRUSION GAP

PRESSURE bar	100	160	250	350
PRESSURE p.s.i.	1500	2400	3750	5000
MAXIMUM GAP (S>0.280) in	0.030	0.025	0.020	0.010
MAXIMUM GAP (S<0.280) in	0.025	0.020	0.015	0.005

Figures show the maximum permissible gap all on one side using the minimum clearance \emptyset and maximum bore \emptyset

SURFACE ROUGHNESS

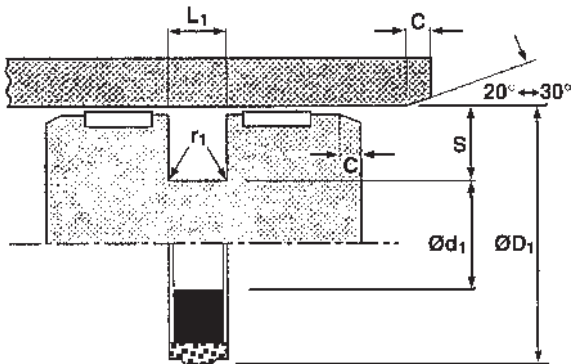
DYNAMIC SEALING FACE $\emptyset D_1$	μmRa	μmRt	μinCLA	μinRMS
STATIC SEALING FACE $\emptyset d_1$	0.1 \leftrightarrow 0.4	4 max	4 \leftrightarrow 16	5 \leftrightarrow 18
STATIC HOUSING FACES L_1	1.6 max	10 max	63 max	70 max
	3.2 max	16 max	125 max	140 max

CHAMFERS & RADII

GROOVE SECTION $\leq S$ in	0.154	0.269	0.373	0.431
MIN CHAMFER C in	0.100	0.150	0.200	0.200
MAX FILLET RAD r_1 in	0.016	0.016	0.016	0.016

TOLERANCES

$\emptyset D_1$	H9	$\emptyset d_1$	js10
L_1 in	± 0.129	L_1 in	± 0.283
L_1	± 0.002	L_1	± 0.003
			± 0.004



MATERIALS

Standard face material:
Polyester elastomer - (red 55D)
Last digit of part no. ----- 0

Face material options:
Hydrolysis stabilised polyester elastomer (Grey 55D)
Last digit of part no. ----- 1

Lubricated polyester elastomer
Last digit of part no. ----- 2

Hydrolysis stabilised polyester elastomer (Red 72D)
Last digit of part no. ----- 3

Hythane 181 - A limited number of sizes are available in this material option
Last digit of part no. ----- 4

Technical details shown are for standard Red 55D polyester elastomer.

DESIGN

The Hallite 755 seal is a compact, low friction seal for light to medium duty hydraulic cylinders. Designed originally to the North American housing standards, the 755 is an inch version of Hallite's 754. It comprises a very tough elastomeric face (see material options) which is pre-loaded by a square section ring (as North American convention). Please note part numbers marked * are supplied with an O ring energiser.

It is recommended that an adequate bearing is mounted on both sides of the seal. See Hallite 506 bearing strip.

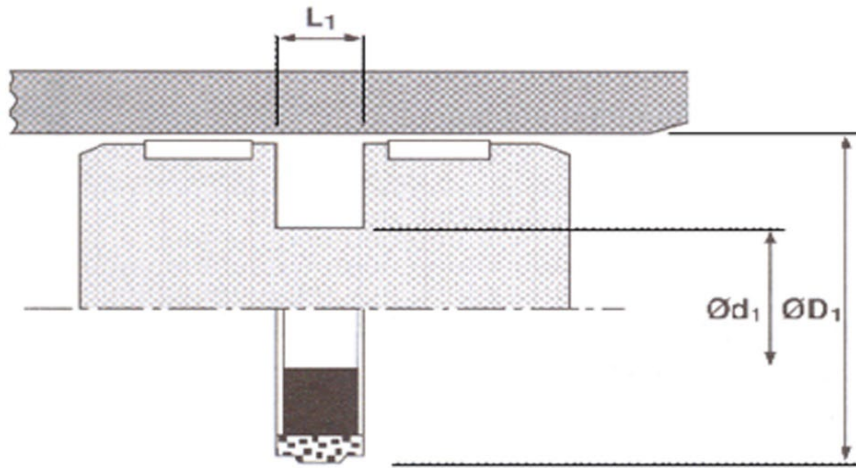
For full details and availability please contact your local Hallite sales office.

FEATURES

- LOW BREAK-OUT AND OPERATING FRICTION LEVELS.
- RAPID RECOVERY OF FACE AFTER ASSEMBLY, UNLIKE COMMON PTFE FACES, NO RE-SIZING IS REQUIRED.
- MORE TOLERANT TO DIRT AND CONTAMINATION THAN COMMON PTFE EQUIVALENTS.
- EXCELLENT POSITION HOLDING CHARACTERISTICS UNDER LOAD
- COMPATIBLE WITH MOST HYDRAULIC FLUIDS.
- EXCELLENT WEAR RESISTANCE.
- OPERATES ON A WIDE RANGE OF SURFACE FINISHES.
- IDEAL FOR USE WITH HALLITE'S 506 BEARING STRIP



755 PISTON SEALS



TYPE 755 PISTON SEALS PRE-LOADED W/ O-RING

ITEM DESCRIPTION	O.D.	I.D.	HEIGHT	LIST PRICE	UOM
8910000 HALLITE 755 PISTON SEAL	1.000	0.691	0.129	\$5.31	EA
8910100 HALLITE 755 PISTON SEAL	1.250	0.941	0.129	\$5.47	EA
8910200 HALLITE 755 PISTON SEAL	1.500	1.191	0.129	\$5.61	EA
8910300 HALLITE 755 PISTON SEAL	1.750	1.441	0.129	\$5.61	EA
8910400 HALLITE 755 PISTON SEAL	2.000	1.691	0.129	\$6.06	EA
4553520 HALLITE 755 PISTON SEAL	2.000	1.462	0.283	\$16.28	EA
8910500 HALLITE 755 PISTON SEAL	2.250	1.941	0.129	\$7.58	EA
8910600 HALLITE 755 PISTON SEAL	2.500	2.191	0.129	\$6.49	EA
4490020 HALLITE 755 PISTON SEAL	2.500	2.191	0.283	\$10.45	EA
8910700 HALLITE 755 PISTON SEAL	2.750	2.441	0.129	\$6.79	EA
8910800 HALLITE 755 PISTON SEAL	3.000	2.462	0.283	\$10.38	EA
8910900 HALLITE 755 PISTON SEAL	3.250	2.712	0.283	\$9.01	EA
8911000 HALLITE 755 PISTON SEAL	3.500	2.962	0.283	\$9.15	EA
8911100 HALLITE 755 PISTON SEAL	3.750	3.212	0.283	\$9.90	EA
8911200 HALLITE 755 PISTON SEAL	4.000	3.462	0.283	\$10.00	EA
8911300 HALLITE 755 PISTON SEAL	4.250	3.712	0.283	\$11.08	EA
8911400 HALLITE 755 PISTON SEAL	4.500	3.962	0.283	\$11.53	EA
8911500 HALLITE 755 PISTON SEAL	4.750	4.212	0.283	\$12.26	EA
8911600 HALLITE 755 PISTON SEAL	5.000	4.462	0.283	\$13.87	EA
8911700 HALLITE 755 PISTON SEAL	5.250	4.504	0.378	\$19.04	EA
8911800 HALLITE 755 PISTON SEAL	5.500	4.754	0.378	\$19.58	EA
8911900 HALLITE 755 PISTON SEAL	6.000	5.254	0.378	\$19.98	EA
8912000 HALLITE 755 PISTON SEAL	6.250	5.504	0.378	\$20.42	EA
8912100 HALLITE 755 PISTON SEAL	6.500	5.754	0.378	\$20.81	EA
8912200 HALLITE 755 PISTON SEAL	7.000	6.254	0.378	\$21.29	EA
4394810 HALLITE 755 PISTON SEAL	7.000	6.254	0.312	\$17.49	EA
8912300 HALLITE 755 PISTON SEAL	7.250	6.504	0.378	\$21.94	EA
8912400 HALLITE 755 PISTON SEAL	7.500	6.754	0.378	\$22.34	EA
8912500 HALLITE 755 PISTON SEAL	8.000	7.254	0.378	\$23.86	EA

TYPE 755 PISTON SEALS PRE-LOADED W/ O-RING

ITEM DESCRIPTION	O.D.	I.D.	HEIGHT	LIST PRICE	UOM
8913000 HALLITE 755 PISTON SEAL	8.437	7.691	0.378	\$24.27	EA
8912600 HALLITE 755 PISTON SEAL	8.500	7.754	0.378	\$24.61	EA
8912700 HALLITE 755 PISTON SEAL	9.000	8.137	0.378	\$33.86	EA
8912800 HALLITE 755 PISTON SEAL	9.500	8.637	0.378	\$28.72	EA
8912900 HALLITE 755 PISTON SEAL	10.000	9.137	0.378	\$58.72	EA

***We accept VISA, MASTERCARD
OR DIRECT DEBIT.***

Piston Seals

770

TECHNICAL DETAILS

METRIC

INCH

OPERATING CONDITIONS

MAXIMUM SPEED	1.0 m/sec	3.0 ft/sec
TEMPERATURE RANGE	-40°C + 110°C	-40°F + 230°F
MAXIMUM PRESSURE	350 bar	5000 p.s.i.

MAXIMUM EXTRUSION GAP

PRESSURE bar	100	160	250	350
PRESSURE p.s.i.	1500	2400	3750	5000
MAXIMUM GAP in	0.030	0.025	0.020	0.010

Figures show the maximum permissible gap all on one side using the minimum clearance \emptyset and maximum bore \emptyset

SURFACE ROUGHNESS

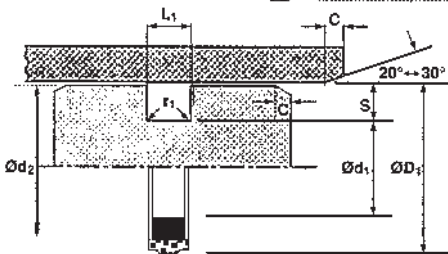
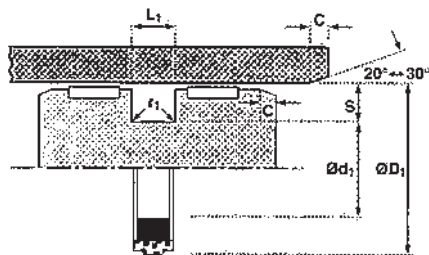
DYNAMIC SEALING FACE $\emptyset d_1$	0.1 \leftrightarrow 0.4	4 max	4 \leftrightarrow 16	5 \leftrightarrow 18
STATIC SEALING FACE $\emptyset d_1$	1.6 max	10 max	63 max	70 max
STATIC HOUSING FACES L_1	3.2 max	16 max	125 max	140 max

CHAMFERS & RADII

GROOVE SECTION $\leq S$ in	0.125	0.187	0.250
MIN CHAMFER C in	0.100	0.150	0.200
MAX FILLET RAD r_1 in	0.016	0.016	0.016

TOLERANCE

$\emptyset d_1$	$\emptyset d_1$	$\emptyset d_2$	L_1
+0.002 -0	+0 -0.002	+0 -0.001	+0.005 -0



DESIGN

The Hallite 770 seal is a double acting compact, low friction seal for light to medium duty hydraulic cylinders. It has been designed to fit standard inch O ring housings. It comprises a tough self lubricated elastomeric face which is pre-loaded by a rectangular cross-section expander. It can be used on SG iron pistons or on a piston where there is an adequate remote bearing (see Hallite 506 and 533 bearings).

The standard material is only suitable for hydraulic mineral oil applications. Other material options are available for water based (HFA and HFB) fluids and synthetic esters (HEES). In certain sizes a Hythane face material option is available, particularly for intermittent single acting applications.

For full details and availability please contact your local Hallite Sales office.

FEATURES

- LOW BREAK-OUT AND OPERATING FRICTION LEVELS.
- RAPID RECOVERY OF FACE AFTER ASSEMBLY. UNLIKE COMMON PTFE FACES, NO RE-SIZING IS REQUIRED.
- MORE TOLERANT TO DIRT AND CONTAMINATION THAN COMMON PTFE EQUIVALENTS.
- EXCELLENT WEAR RESISTANCE.
- OPERATES ON A WIDE RANGE OF SURFACE FINISHES.
- IDEAL FOR USE WITH HALLITE HALLITE 506 OR 533 GFN WEAR RINGS

MATERIAL OPTIONS

Standard face material: (Brown 55D)
Lubricated polyester elastomer
Last digit of part no. ----- 2

Face material options:
Polyester elastomer (Red 55D)
Last digit of part no. ----- 0

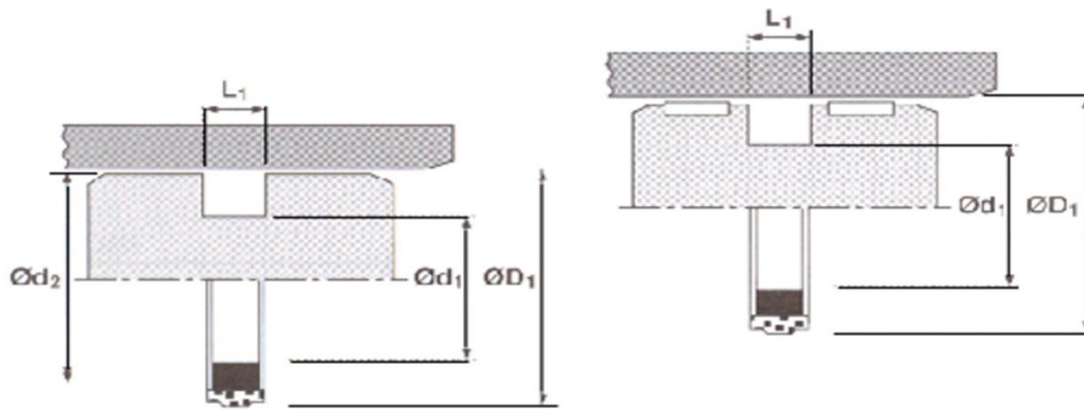
Hydrolysis stabilised
polyester elastomer (Grey 55D)
Last digit of part no. ----- 1

Hythane 181 - A limited number of
sizes are available in this material option
Last digit of part no. ----- 4

Hallite 361 - A limited number of
sizes are available with material options
Last digit of part no. ----- 6

Technical details shown are for standard
Brown 55D lubricated polyester elastomer.

770 PISTON SEALS



TYPE 770 COMPACT PISTON SEALS

ITEM DESCRIPTION	O.D.	I.D.	HEIGHT	LIST PRICE	UOM
2.000 COMPACT SEAL	2.000	1.630	0.281	\$12.05	EA
2.000 COMPACT SEAL WIDE	2.000	1.630	0.410	\$9.86	EA
2.250 COMPACT SEAL	2.250	1.880	0.281	\$16.09	EA
2.500 COMPACT SEAL	2.500	2.125	0.281	\$11.50	EA
2.500 COMPACT SEAL WIDE	2.500	2.125	0.410	\$13.73	EA
2.750 COMPACT SEAL	2.750	2.380	0.281	\$15.57	EA
3.000 COMPACT SEAL	3.000	2.625	0.281	\$15.93	EA
3.000 COMPACT SEAL WIDE	3.000	2.625	0.410	\$16.90	EA
3.250 COMPACT SEAL	3.250	2.875	0.281	\$16.19	EA
3.500 COMPACT SEAL	3.500	3.130	0.281	\$15.79	EA
3.500 COMPACT SEAL WIDE	3.500	3.130	0.410	\$12.06	EA
3.750 COMPACT SEAL	3.750	3.375	0.281	\$17.71	EA
4.000 COMPACT SEAL	4.000	3.625	0.281	\$18.98	EA
4.000 COMPACT SEAL WIDE	4.000	3.625	0.410	\$25.25	EA
4.250 COMPACT SEAL	4.250	3.875	0.281	\$22.05	EA
4.500 COMPACT SEAL	4.500	4.125	0.281	\$23.66	EA
4.500 COMPACT SEAL WIDE	4.500	4.125	0.410	\$38.19	EA
4.750 COMPACT SEAL	4.750	4.375	0.281	\$26.35	EA
5.000 COMPACT SEAL	5.000	4.625	0.281	\$28.42	EA
5.000 COMPACT SEAL WIDE	5.000	4.625	0.538	\$17.59	EA
6.000 COMPACT SEAL WIDE	6.000	5.528	0.538	\$30.76	EA

High quality seals, great customer service and low prices!

Piston seals

714

TECHNICAL DETAILS

METRIC

INCH

OPERATING CONDITIONS

MAXIMUM SPEED	2.0 m/sec	6.0 ft/sec
TEMPERATURE RANGE	-40°C +110°C	-40°F + 230°F
MAXIMUM PRESSURE	500 bar	7,300 p.s.i.

MAXIMUM EXTRUSION GAP

PRESSURE bar	500
MAXIMUM GAP $\varnothing D_1 \leq 5.000$ in	0.032
MAXIMUM GAP $\varnothing D_1 > 5.000$ in	0.040
PRESSURE psi	7,500

Figures show the maximum permissible gap all on one side using the minimum clearance \varnothing and maximum bore \varnothing

SURFACE ROUGHNESS

	μmRa	μmRt	μinCLA	μinRMS
DYNAMIC SEALING FACE $\varnothing D_1$	0.1 ↔ 0.4	4 max	4 ↔ 16	5 ↔ 18
STATIC SEALING FACE $\varnothing d_1$	1.6 max	10 max	63 max	70 max
STATIC HOUSING FACES L_1	3.2 max	16 max	125 max	140 max

CHAMFERS & RADII

MIN CHAMFER C in	0.250
MAX FILLET RAD r_1 in	0.016
MAX FILLET RAD r_2 in	0.005

PORT DIAMETER

IF THE SEAL IS TO PASS OVER THE PORT

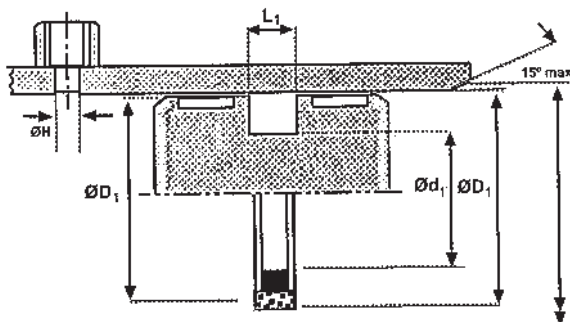
MAX $\varnothing H$ in

$L_1 \times 1.167$

TOLERANCES

$\varnothing D_1$	$\varnothing d_1$	L_1
+0.005 -0	+0 -0.005	+0.005 -0

in



DESIGN

The Hallite 714 is a double acting seal capable of passing over ports. The reinforced, heat stabilised, thermoplastic sealing face, expands and contracts to fill the gap between the piston and the cylinder wall and has a step-cut joint for ease of installation.

It will tolerate a considerable extrusion gap, thus reducing the possibility of piston-to-bore contact, and it offers excellent static load holding capability.

The square section nitrile rubber energiser responds quickly to pressure changes, providing excellent sealing characteristics under all pressure conditions.

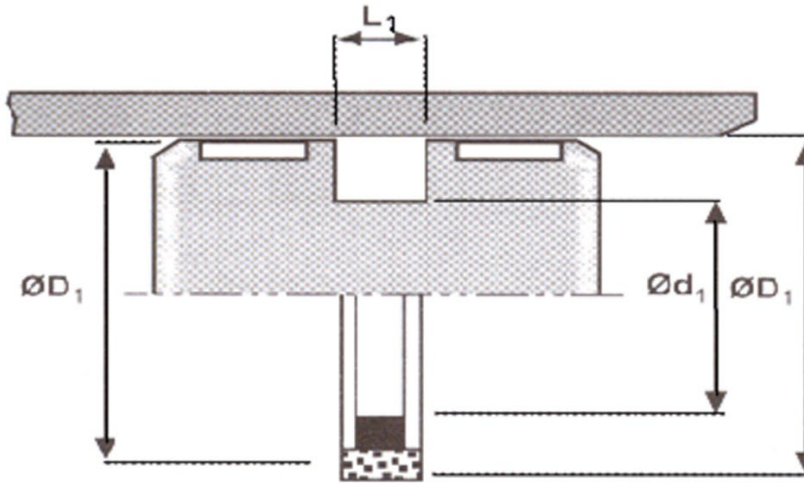
FEATURES

- FACE EXPANDS FOR EASY INSTALLATION
- PASSES OVER PORTS
- EXCELLENT WEAR & ABRASION RESISTANCE
- STATIC LOAD HOLDING CAPABILITY
- REPLACES MULTIPLE PISTON RINGS
- INCREASES CYLINDER EFFECTIVENESS
- IDEAL FOR RE-PHASING CYLINDERS
- INGESTS CONTAMINATION
- COMPACT HOUSING

MATERIAL OPTIONS

Please contact your local Hallite sales office for additional information.

714 PISTON SEALS



TYPE 714 DOUBLE ACTING PISTON SEALS

ITEM DESCRIPTION	O.D.	I.D.	HEIGHT	LIST PRICE	UOM
2.00" 714 STEP CUT W/ LATHE EXPANDER 7260510	2.000	1.462	0.282	\$12.98	EA
2.50" 714 STEP CUT W/ LATHE EXPANDER 7261010	2.500	1.962	0.282	\$13.66	EA
2.75" 714 STEP CUT W/ LATHE EXPANDER 7261510	2.750	2.212	0.282	\$15.84	EA
3.00" 714 STEP CUT W/ LATHE EXPANDER 7262010	3.000	2.442	0.282	\$15.84	EA
3.25" 714 STEP CUT W/ LATHE EXPANDER 7262510	3.250	2.692	0.282	\$16.68	EA
3.50" 714 STEP CUT W/ LATHE EXPANDER 7263010	3.500	2.942	0.282	\$17.42	EA
3.75" 714 STEP CUT W/ LATHE EXPANDER 7263510	3.750	3.192	0.282	\$18.30	EA
4.00" 714 STEP CUT W/ LATHE EXPANDER 7264010	4.000	3.442	0.282	\$21.56	EA
4.25" 714 STEP CUT W/ LATHE EXPANDER 7264510	4.250	3.692	0.282	\$20.59	EA
4.50" 714 STEP CUT W/ LATHE EXPANDER 7265010	4.500	3.942	0.282	\$22.67	EA
4.75" 714 STEP CUT W/ LATHE EXPANDER 7265510	4.750	4.192	0.282	\$25.39	EA
5.00" 714 STEP CUT W/ LATHE EXPANDER 7266010	5.000	4.442	0.282	\$26.18	EA
5.25" 714 STEP CUT W/ LATHE EXPANDER 7266510	5.250	4.490	0.377	\$27.63	EA
5.50" 714 STEP CUT W/ LATHE EXPANDER 7267010	5.500	4.740	0.377	\$33.18	EA
6.00" 714 STEP CUT W/ LATHE EXPANDER 7267510	6.000	5.240	0.377	\$30.10	EA

For more information regarding seals or products not listed please call our sales department today!

Piston Seals

735



TECHNICAL DETAILS

OPERATING CONDITIONS

MAXIMUM SPEED 1.5 m/sec
 TEMPERATURE RANGE -40°C +120°C
 MAXIMUM PRESSURE 500 bar

4.5 ft/sec
 -40°F + 250°F
 7500 p.s.i.

MAXIMUM EXTRUSION GAP

PRESSURE bar	160	250	400	500
MAXIMUM GAP mm	1.0	0.8	0.6	0.5
PRESSURE p.s.i.	2400	3750	6000	7500
MAXIMUM GAP in	0.040	0.030	0.024	0.020

Figures show the maximum permissible gap all on one side using the minimum clearance \emptyset and maximum bore \emptyset

SURFACE ROUGHNESS

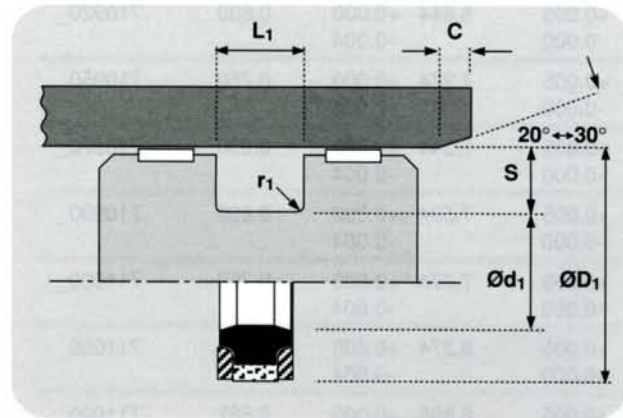
DYNAMIC SEALING FACE $\emptyset d_1$	0.1 ↔ 0.4	4 max	4 ↔ 16	5 ↔ 18
STATIC SEALING FACE $\emptyset d_1$	1.6 max	10 max	63 max	70 max
STATIC HOUSING FACES L_1	3.2 max	16 max	125 max	140 max

CHAMFERS & RADII

GROOVE SECTION $\leq S$ mm	7.0	7.5	11.5	14.0
MIN CHAMFER C mm	4.0	5.0	7.0	8.0
MAX FILLET RAD r_1 mm	0.8	0.8	0.8	0.8
GROOVE SECTION $\leq S$ in	0.187	0.240	0.365	0.470
MIN CHAMFER C in	0.160	0.200	0.250	0.280
MAX FILLET RAD r_1 in	0.016	0.016	0.035	0.035

TOLERANCES

mm	H9	+0 -0.2	+0.2 -0
in	H9	*see below	+0.01 -0
$\emptyset d_1$ in	≤ 3.000	≤ 4.500	≥ 4.500
* $\emptyset d_1$ Tol =	+0 - 0.002	+0 - 0.003	+0 - 0.004
*NB	Part numbers 710600_ and 710800_ Tol = ± 0.003		



MATERIALS

Please ensure the correct part number is used for the required cap ring.

PTFE, 40% bronze
 Last digit of part no. _____ 0

or
 PTFE, 15% glass 5% MoS₂
 Last digit of part no. _____ 1

Products suffixed † are designed to suit popular Asian housings

For information about other material options available, please contact your local Hallite Seals office.

METRIC INCH

DESIGN

Hallite's 735 is a compact double acting piston seal assembly designed for one piece pistons and is suitable for low to high pressure, medium to heavy duty applications. The assembly comprises as standard a self lubricating wear resistant bronze filled or glass / MoS₂ filled PTFE cap ring, which is loaded by a NBR energiser. Thermoplastic split anti-extrusion rings support the seal on both sides and prevent contamination of the the energiser and cap ring.

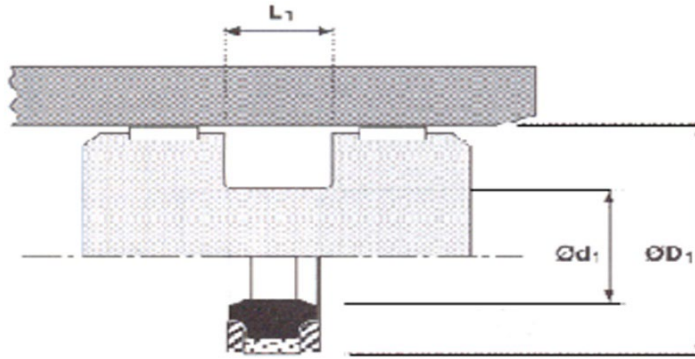
Hallite's 735 piston seal is designed to be used in a variety of equipment and is particularly suited to use in earthmoving and other off-highway equipment.

The range consists of seals to suit popular North American and Asian housings.

FEATURES

- HIGH PRESSURE
- HEAVY DUTY
- PTFE CAP RING
- COMPACT DESIGN
- LOW FRICTION
- LONG LIFE
- RANGE OF MATERIAL OPTIONS TO EXTEND SERVICE TEMPERATURE RANGE

735 CAPPED T-SEALS



TYPE 735 CAPPED T-SEALS

ITEM DESCRIPTION	O.D.	I.D.	HEIGHT	LIST PRICE	UOM
7100500 CAPPED T-SEAL	2.000	1.626	0.424	\$47.65	EA
7100700 CAPPED T-SEAL	2.500	2.127	0.424	\$52.47	EA
7101000 CAPPED T-SEAL	3.000	2.522	0.579	\$66.42	EA
7101500 CAPPED T-SEAL	3.250	2.772	0.579	\$67.15	EA
7102000 CAPPED T-SEAL	3.500	3.022	0.579	\$69.12	EA
7102500 CAPPED T-SEAL	3.750	3.272	0.579	\$69.91	EA
7103000 CAPPED T-SEAL	4.000	3.522	0.579	\$72.52	EA
7103500 CAPPED T-SEAL	4.250	3.772	0.579	\$73.23	EA
7104000 CAPPED T-SEAL	4.500	4.022	0.579	\$74.25	EA
7104200 CAPPED T-SEAL	4.750	4.159	0.492	\$82.72	EA
7104500 CAPPED T-SEAL	5.000	4.274	0.750	\$89.89	EA
7104400 CAPPED T-SEAL	5.000	4.094	0.630	\$67.36	EA
7105000 CAPPED T-SEAL	5.250	4.524	0.750	\$101.51	EA
7106000 CAPPED T-SEAL	5.500	4.524	0.579	\$86.15	EA
7105400 CAPPED T-SEAL	5.500	4.774	0.630	\$86.15	EA
7105500 CAPPED T-SEAL	5.500	4.774	0.750	\$105.57	EA
7106400 CAPPED T-SEAL	6.000	5.094	0.630	\$88.73	EA
7106500 CAPPED T-SEAL	6.000	5.274	0.750	\$106.69	EA
7107000 CAPPED T-SEAL	6.250	5.524	0.750	\$107.85	EA
7107400 CAPPED T-SEAL	6.500	5.594	0.630	\$88.73	EA
7107500 CAPPED T-SEAL	6.500	5.774	0.750	\$119.18	EA
7108400 CAPPED T-SEAL	7.000	6.094	0.630	\$98.91	EA
7108500 CAPPED T-SEAL	7.000	6.274	0.750	\$134.75	EA
7108600 CAPPED T-SEAL	7.250	6.344	0.630	\$144.48	EA
7109000 CAPPED T-SEAL	7.500	6.774	0.750	\$165.03	EA
7109500 CAPPED T-SEAL	8.000	7.274	0.750	\$174.97	EA
7110000 CAPPED T-SEAL	8.500	7.774	0.750	\$177.19	EA
7110500 CAPPED T-SEAL	9.000	8.274	0.750	\$180.09	EA
7111000 CAPPED T-SEAL	10.000	9.275	0.750	\$214.22	EA
7110900 CAPPED T-SEAL	10.000	8.898	0.687	\$178.49	EA
7111200 CAPPED T-SEAL	10.500	9.398	0.687	\$219.83	EA
7111500 CAPPED T-SEAL	11.000	10.275	0.750	\$251.38	EA

TYPE 735 CAPPED T-SEALS

ITEM DESCRIPTION	O.D.	I.D.	HEIGHT	LIST PRICE	UOM
7111700 CAPPED T-SEAL	11.500	10.398	0.687	\$200.60	EA
7112000 CAPPED T-SEAL	12.000	11.275	0.750	\$280.29	EA
7112200 CAPPED T-SEAL	12.500	11.774	0.750	\$291.11	EA
7112400 CAPPED T-SEAL	13.000	12.275	0.750	\$295.29	EA
7112700 CAPPED T-SEAL	14.000	12.898	0.687	\$338.15	EA
711400 CAPPED T-SEAL	14.000	13.275	0.750	\$325.85	EA
7113000 CAPPED T-SEAL	15.000	14.275	0.750	\$454.36	EA
7115000 CAPPED T-SEAL	16.000	15.275	0.750	\$462.40	EA
7200000 CAPPED T-SEAL	20.000	18.000	1.000	\$1,916.32	EA

***ALL ORDERS MADE ON THE SAME DAY ARE
CONSIDERED ONE ORDER!***

1-800-233-8585

TECHNICAL DETAILS

OPERATING CONDITIONS

MAXIMUM SPEED	2.0 m/sec	6.0 ft/sec
TEMPERATURE RANGE	-30°C +100°C	-22 °F +212 °F
MAXIMUM PRESSURE	350 bar	5000 p.s.i.

MAXIMUM EXTRUSION GAP

PRESSURE p.s.i	1500	2400	3750	5250
MAXIMUM GAP in	0.024	0.020	0.018	0.014

SURFACE ROUGHNESS

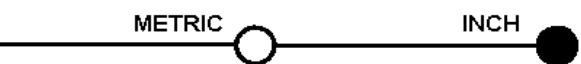
DYNAMIC SEALING FACE $\varnothing D_1$	0.1 ↔ 0.4	4 max	4 ↔ 16	5 ↔ 18
STATIC SEALING FACE $\varnothing d_1$	1.6 max	10 max	63 max	70 max
STATIC HOUSING FACES L_1	3.2 max	16 max	125 max	140 max

CHAMFERS & RADII

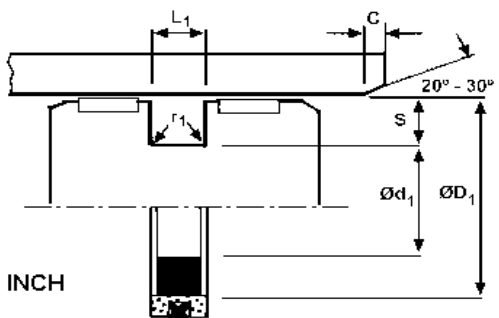
GROOVE SECTION $\leq S$ in	0.147	0.216	0.305	0.413	0.483
MIN CHAMFER C in	0.093	0.125	0.156	0.167	0.305
MAX FILLET RAD r_1 in	0.016	0.016	0.032	0.032	0.032

TOLERANCES

OD	Od	L
H10	f8	+0.008 - 0



INCH PSQ



DESIGN

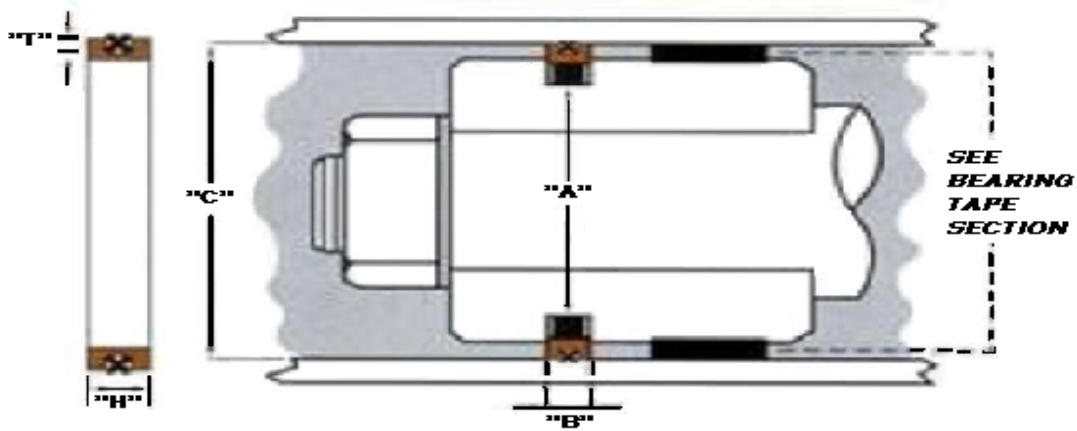
The Grooved Piston Seal (GPS) is a three-piece assembly consisting of an elastomeric energizer, a filled PTFE grooved cap ring, and an elastomeric quad-ring. The seal combines low friction and positive sealing.

Grooved Piston Seals are available in inch and metric sizes.

FEATURES

- LOW FRICTION - NO STICK SLIP
- HIGH STRENGTH PRECISION MACHINED PTFE CAP RING
- WIDE RANGE OF MATERIALS AVAILABLE FOR SPECIAL APPLICATIONS
- STABLE DESIGN PREVENTS ROLLING

PSQ BRZ. FILLED PISTON SEALS



PSQ STYLE PISTON SEALS - BRONZE FILLED

ITEM DESCRIPTION	DIMENSIONS			HEIGHT	SQUARE RING	LIST PRICE	UOM
	BORE	GROOVE DIA.	GROOVE WIDTH				
PSQ-024 PISTON SEAL	1.500	0.884	.288 / .293	0.275	316	\$26.71	EA
PSQ-032 PISTON SEAL	2.000	1.384	.288 / .293	0.275	324	\$27.13	EA
PSQ-036 PISTON SEAL	2.250	1.634	.288 / .293	0.275	326	\$27.81	EA
PSQ-040 PISTON SEAL	2.500	1.884	.288 / .293	0.275	328	\$29.04	EA
PSQ-044 PISTON SEAL	2.750	2.134	.288 / .293	0.275	330	\$31.48	EA
PSQ-048 PISTON SEAL	3.000	2.384	.288 / .293	0.275	332	\$32.43	EA
PSQ-052 PISTON SEAL	3.250	2.634	.288 / .293	0.275	334	\$33.35	EA
PSQ-056 PISTON SEAL	3.500	2.884	.288 / .293	0.275	336	\$34.17	EA
PSQ-060 PISTON SEAL	3.750	3.134	.288 / .293	0.275	338	\$35.24	EA
PSQ-064 PISTON SEAL	4.000	3.384	.288 / .293	0.275	340	\$36.26	EA
PSQ-068 PISTON SEAL	4.250	3.634	.288 / .293	0.275	342	\$37.42	EA
PSQ-072 PISTON SEAL	4.500	3.884	.288 / .293	0.275	344	\$40.17	EA
PSQ-076 PISTON SEAL	4.750	4.134	.288 / .293	0.275	346	\$43.05	EA
PSQ-080 PISTON SEAL	5.000	4.384	.288 / .293	0.275	348	\$46.24	EA
PSQ-084 PISTON SEAL	5.250	4.634	.288 / .293	0.275	350	\$55.00	EA
PSQ-088 PISTON SEAL	5.500	4.660	.375 / .380	0.365	426	\$60.94	EA
PSQ-092 PISTON SEAL	5.750	4.910	.375 / .380	0.365	428	\$64.55	EA
PSQ-096 PISTON SEAL	6.000	5.160	.375 / .380	0.365	430	\$67.96	EA
PSQ-100 PISTON SEAL	6.125	5.285	.375 / .380	0.365	431	\$72.51	EA
PSQ-104 PISTON SEAL	6.500	5.660	.375 / .380	0.365	433	\$88.37	EA
PSQ-112 PISTON SEAL	7.000	6.160	.375 / .380	0.365	437	\$93.94	EA
PSQ-120 PISTON SEAL	7.500	6.660	.375 / .380	0.365	439	\$96.84	EA
PSQ-128 PISTON SEAL	8.000	7.160	.375 / .380	0.365	441	\$141.94	EA
PSQ-136 PISTON SEAL	9.000	8.160	.375 / .380	0.365	445	\$99.81	EA
PSQ-144 PISTON SEAL	10.000	9.160	.375 / .380	0.365	447	\$115.52	EA

We Appreciate Your Business!

UNI-RINGS

DOUBLE ACTING PISTON SEALS

MATERIALS

Thermoset Polyurethane: Liquid resin and curing agent: Centrifugally cast Thermoset seals use only 100% virgin raw materials. Thermoset cast seals are free of all internal voids (i.e. air bubbles), which can cause sudden failures and costly downtime.

- Sealing Lamina: Unithane 460 D, Liquid Cast Polyurethane, Duro 65 D
- Activation Lamina: Unithane 157 A, Liquid Cast Polyurethane, Duro 59 A

SPUN MOLDING

The Centrifugal mold spins the liquid Thermoset Urethane at 3,600 RPM first on a vertical axis then on a horizontal axis to create a strong finished seal providing durability, functionality and affordability.

CHARACTERISTICS

The Piston Uni-ring is a Dual Durometer, one-piece double acting piston seal. It consists of a (Duro 65 D) dynamic sealing and wear lamina bonded to a (Duro 59 A) static sealing and activation lamina. The material used for the static lamina has high resilience and extremely low compression set. It functions as a seal energizing spring element and assures positive sealing performance throughout a board pressure range. The dynamic sealing element is made of a harder material, selected for its high abrasion resistant qualities. Piston Uni-Rings can readily be substituted in existing cavities to replace other types of double acting seals, such as TFE Piston rings and the T Cross Section seals.

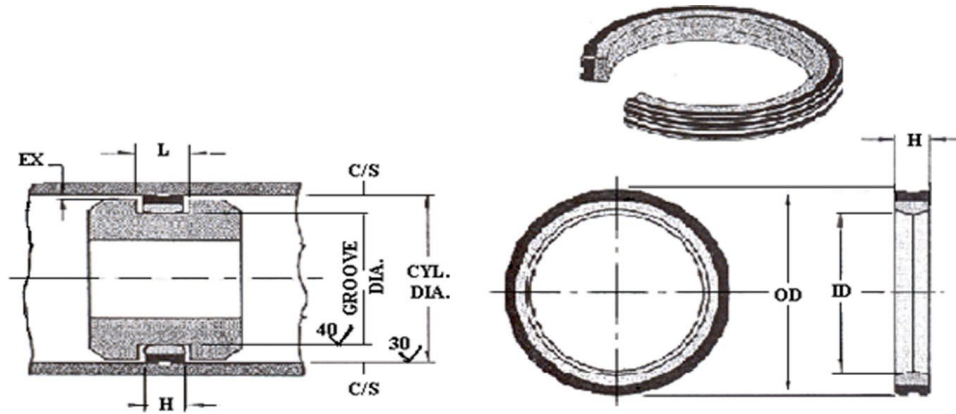
Uni-Rings can easily be installed on one-piece pistons without costly and time-consuming assembly fixtures. They simplify the task of eventual field replacement.

Piston Uni-Rings permit substantial cost saving in cylinder design by allowing larger tolerances and poorer surface finishes.

The Uni-ring features an oil retention groove and a moly impregnated dynamic surface. In this single piece design of 100% Thermoset Polyurethane you'll find a dual durometer construction of 65 D outer lamina and 59 A inner energizing lamina.

Some benefits of this exclusive seal design include a reduction in friction, high extrusion resistance, better lubrication on the dynamic surface and a very low (8%) compression set on the energizer.

PISTON UNI-RINGS



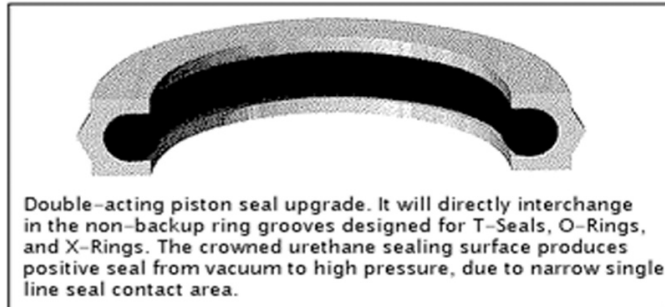
UNI-RING PISTON SEALS

ITEM DESCRIPTION	O.D.	I.D.	HEIGHT	C/S	LIST PRICE	UOM
1.500 PISTON UNI RING	1.500	1.250	0.187	0.125	\$4.31	EA
1.750 PISTON UNI RING	1.750	1.375	0.250	0.187	\$5.46	EA
2.000 PISTON UNI RING	2.000	1.625	0.312	0.187	\$6.62	EA
2.250 PISTON UNI RING	2.250	1.875	0.312	0.187	\$7.94	EA
2.500 PISTON UNI RING	2.500	2.000	0.375	0.187	\$7.96	EA
2.500 PISTON UNI RING	2.500	2.125	0.312	0.187	\$7.96	EA
2.625 PISTON UNI RING	2.625	2.125	0.375	0.250	\$8.04	EA
2.750 PISTON UNI RING	2.750	2.375	0.312	0.250	\$14.11	EA
3.000 PISTON UNI RING	3.000	2.625	0.312	0.187	\$13.93	EA
3.000 PISTON UNI RING	3.000	2.500	0.375	0.250	\$16.13	EA
3.000 PISTON UNI RING	3.000	2.625	0.375	0.250	\$13.93	EA
3.250 PISTON UNI RING	3.250	2.875	0.312	0.187	\$14.11	EA
3.500 PISTON UNI RING	3.500	3.000	0.375	0.250	\$15.19	EA
3.750 PISTON UNI RING	3.750	3.375	0.312	0.187	\$9.30	EA
4.000 PISTON UNI RING	4.000	3.500	0.375	0.250	\$12.94	EA
4.000 PISTON UNI RING	4.000	3.625	0.375	0.187	\$13.09	EA
4.500 PISTON UNI RING	4.500	4.000	0.375	0.250	\$13.49	EA
5.000 PISTON UNI RING	5.000	4.375	0.500	0.312	\$24.19	EA
5.500 PISTON UNI RING	5.500	4.875	0.500	0.312	\$18.60	EA
6.000 PISTON UNI RING	6.000	5.500	0.375	0.250	\$36.60	EA
6.000 PISTON UNI RING	6.000	5.500	0.500	0.250	\$65.41	EA
6.500 PISTON UNI RING	6.500	6.000	0.562	0.250	\$24.21	EA

CROWN SEALS

Piston Crown Seals

SEAL INFORMATION	
Material	95A Polyurethane Seal 70A Nitrile Energizer
Temperature Range	-65° to +220° F
Pressure Range	0 to 5,000 PSI



DOUBLE ACTING CROWN SEALS

ITEM DESCRIPTION	BORE	FITS O-RING	PRICE	UOM
DBL ACTING PISTON SEAL W/CROWNED SURFACE	1.500	CP-218	\$9.90	EA
DBL ACTING PISTON SEAL W/CROWNED SURFACE	1.750	CP-222	\$6.67	EA
DBL ACTING PISTON SEAL W/CROWNED SURFACE	2.000	CP-326	\$9.11	EA
DBL ACTING PISTON SEAL W/CROWNED SURFACE	2.000	CP-326-WB	\$23.98	EA
DBL ACTING PISTON SEAL W/CROWNED SURFACE	2.250	CP-328	\$9.33	EA
DBL ACTING PISTON SEAL W/CROWNED SURFACE	2.500	CP-330	\$9.60	EA
DBL ACTING PISTON SEAL W/CROWNED SURFACE	2.500	CP-330-WB	\$16.73	EA
DBL ACTING PISTON SEAL W/CROWNED SURFACE	2.750	CP-332	\$13.48	EA
DBL ACTING PISTON SEAL W/CROWNED SURFACE	2.750	CP-332-WB	\$19.76	EA
DBL ACTING PISTON SEAL W/CROWNED SURFACE	3.000	CP-334	\$11.61	EA
DBL ACTING PISTON SEAL W/CROWNED SURFACE	3.000	CP-334-WB	\$20.10	EA
DBL ACTING PISTON SEAL W/CROWNED SURFACE	3.250	CP-336	\$14.53	EA
DBL ACTING PISTON SEAL W/CROWNED SURFACE	3.500	CP-338	\$15.98	EA
DBL ACTING PISTON SEAL W/CROWNED SURFACE	3.500	CP-338-WB	\$38.72	EA
DBL ACTING PISTON SEAL W/CROWNED SURFACE	3.750	CP-340	\$17.23	EA
DBL ACTING PISTON SEAL W/CROWNED SURFACE	4.000	CP-342	\$17.24	EA
DBL ACTING PISTON SEAL W/CROWNED SURFACE	4.000	CP-342-WB	\$21.60	EA
DBL ACTING PISTON SEAL W/CROWNED SURFACE	4.500	CP-346	\$33.60	EA
DBL ACTING PISTON SEAL W/CROWNED SURFACE	4.500	CP-346-WB	\$40.00	EA
DBL ACTING PISTON SEAL W/CROWNED SURFACE	5.000	CP-350	\$25.81	EA
DBL ACTING PISTON SEAL W/CROWNED SURFACE	6.000	CP-358	\$30.10	EA
DBL ACTING PISTON SEAL W/CROWNED SURFACE	5.000	CP-425	\$41.49	EA
DBL ACTING PISTON SEAL W/CROWNED SURFACE	5.500	CP-429	\$39.07	EA
DBL ACTING PISTON SEAL W/CROWNED SURFACE	6.000	CP-433	\$40.00	EA
DBL ACTING PISTON SEAL W/CROWNED SURFACE	6.500	CP-437	\$41.07	EA
DBL ACTING PISTON SEAL W/CROWNED SURFACE	7.000	CP-439	\$49.24	EA

Piston seals

TECHNICAL DETAILS

METRIC

INCH

OPERATING CONDITIONS

MAXIMUM SPEED
TEMPERATURE RANGE
MAXIMUM PRESSURE

0.5 m/sec
-30°C + 100°C
500 bar

1.5 ft/sec
-22°F + 212°F
7500 p.s.i.

SURFACE ROUGHNESS

DYNAMIC SEALING FACE $\varnothing d_1$
STATIC SEALING FACE $\varnothing d_1$ $\varnothing d_2$
STATIC HOUSING FACES $\varnothing d_3$ L_1 L_2

μmRa μmRt
0.1 ↔ 0.4 4 max
1.6 max 10 max
3.2 max 16 max

μinCLA μinRMS
4 ↔ 16 5 ↔ 18
63 max 70 max
125 max 140 max

CHAMFERS & RADII

GROOVE SECTION $\leq S$ mm
MIN CHAMFER C mm
MAX FILLET RAD r_1 mm
MAX FILLET RAD r_2 mm
GROOVE SECTION $\leq S$ in
MIN CHAMFER C in
MAX FILLET RAD r_1 in
MAX FILLET RAD r_2 in

5.0	7.5	8.0	10.0	12.5	15.0
2.4	4.0	5.0	5.0	6.5	7.5
0.4	0.4	0.4	0.4	0.8	0.8
0.4	0.4	0.4	0.4	0.8	0.8
0.312	0.375	0.500			
0.156	0.187	0.217			
0.16	0.16	0.32			
0.16	0.16	0.32			

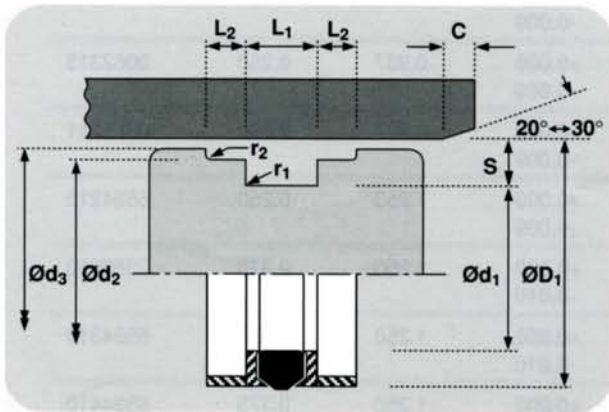
TOLERANCES

mm
in

$\varnothing d_1$	$\varnothing d_1$	$\varnothing d_2$	$\varnothing d_3$	L_1	L_2
H11	h10	f9	h11	+0.4 +0.15	+0.1 -0
H11	h10	f9	h11	+0.016 +0.005	+0.004 -0



53



DESIGN

A robust assembly designed specifically for one piece pistons, the Hallite 53 double acting seal uses a rubber sealing element which has proved itself in service to be extremely wear resistant and capable of working most effectively in a wide variety of medium duty applications. The seal is also suitable for two piece pistons.

The assembly comprises a rubber seal, two split support rings and two split bearings, one of each located either side of the seal.

The nitrile rubber seal is designed to have its section compressed by the housing, to ensure a low pressure seal and, when pressurised be protected from extrusion damage by the extending lips of the support ring. The support ring is manufactured from a tough flexible polymer and scarf cut for assembly.

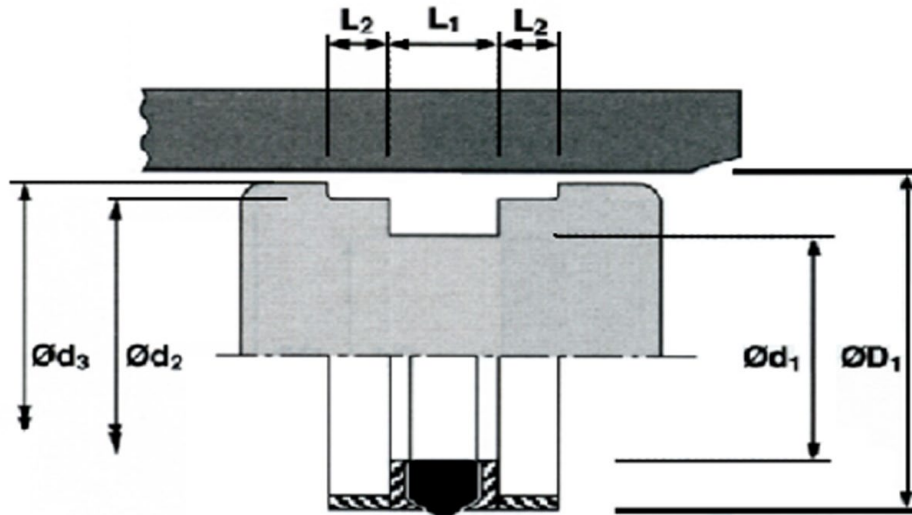
The proportions of the range have been determined to give a satisfactory performance when used with the recommended operating conditions.

Note : Other sizes of this design are shown under Hallite 50, 64 and 68. Also see Hallite 753 for interchangeable sizes.

FEATURES

- WELL PROVEN DESIGN
- LONG LIFE

5/PC TYPE 53 PISTON SEALS



TYPE 53 PISTON SEAL ASSEMBLIES 5/PC

ITEM DESCRIPTION	O.D.	I.D.	L1	L2	LIST PRICE	UOM
2-0" T53 PISTON SEAL 5/PC	2.000	1.375	0.750	0.250	\$22.68	EA
2-1/4" T53 PISTON SEAL 5/PC	2.250	1.625	0.750	0.250	\$27.17	EA
2-1/2" T53 PISTON SEAL 5/PC	2.500	1.875	0.750	0.250	\$29.06	EA
2-3/4" T53 PISTON SEAL 5/PC	2.750	2.000	0.937	0.250	\$29.81	EA
3-0" T53 PISTON SEAL 5/PC	3.000	2.250	0.937	0.250	\$30.98	EA
3-1/4" T53 PISTON SEAL 5/PC	3.250	2.500	0.937	0.250	\$34.64	EA
3-1/2" T53 PISTON SEAL 5/PC	3.500	2.750	0.937	0.250	\$37.05	EA
3-3/4" T53 PISTON SEAL 5/PC	3.750	3.000	0.937	0.250	\$39.56	EA
4-0" T53 PISTON SEAL 5/PC	4.000	3.250	0.937	0.250	\$41.54	EA
4-1/4" T53 PISTON SEAL 5/PC	4.250	3.500	0.937	0.250	\$45.95	EA
4-1/2" T53 PISTON SEAL 5/PC	4.500	3.500	1.250	0.250	\$48.06	EA
4-3/4" T53 PISTON SEAL 5/PC	4.750	3.750	1.250	0.375	\$77.48	EA
5-0" T53 PISTON SEAL 5/PC	5.000	4.000	1.250	0.375	\$55.25	EA
5-1/2" T53 PISTON SEAL 5/PC	5.500	4.500	1.250	0.375	\$56.07	EA
6-0" T53 PISTON SEAL 5/PC	6.000	5.000	1.250	0.375	\$86.81	EA
7-0" T53 PISTON SEAL 5/PC	7.000	6.016	0.988	0.391	\$107.72	EA
7-1/2" T53 PISTON SEAL 5/PC	7.500	6.516	0.983	0.391	\$116.59	EA

Piston seals

TECHNICAL DETAILS

METRIC

INCH



OPERATING CONDITIONS

MAXIMUM SPEED 0.5 m/sec
 TEMPERATURE RANGE -30°C + 100°C
 MAXIMUM PRESSURE 700 bar

1.5 ft/sec
 -22°F + 212°F
 10,000 p.s.i.

SURFACE ROUGHNESS

DYNAMIC SEALING FACE $\varnothing D_1$ 0.1 ↔ 0.4 4 max
 STATIC SEALING FACE $\varnothing d_1$ $\varnothing d_2$ 1.6 max 10 max
 STATIC HOUSING FACES $\varnothing d_3$ L_1 L_2 3.2 max 16 max

μinCLA μinRMS
 4 ↔ 16 5 ↔ 18
 63 max 70 max
 125 max 140 max

CHAMFERS & RADII

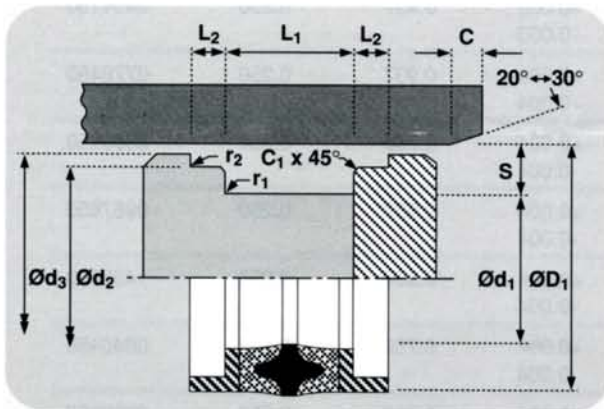
GROOVE SECTION $\leq S$ mm	5.0	7.5	10.0	12.5	15.0
MIN CHAMFER C mm	2.5	4.0	5.0	6.5	7.5
MIN CHAMFER C_1 mm	1.0	1.0	1.0	1.5	1.5
MAX FILLET RAD r_1 mm	0.2	0.2	0.2	0.4	0.4
MAX FILLET RAD r_2 mm	0.2	0.2	0.2	0.4	0.4
GROOVE SECTION $\leq S$ in	0.187	0.250	0.312	0.375	0.500
MIN CHAMFER C in	0.093	0.125	0.156	0.187	0.217
MIN CHAMFER C_1 in	0.032	0.032	0.032	0.062	0.062
MAX FILLET RAD r_1 in	0.008	0.008	0.008	0.008	0.016
MAX FILLET RAD r_2 in	0.008	0.008	0.008	0.008	0.016

TOLERANCES

mm
in

$\varnothing D_1$	$\varnothing d_1$	$\varnothing d_2$	$\varnothing d_3$	L_1	L_2
H11	js11	h9	js11	+0.25 -0	0 -0.15
H11	js11	h9	js11	+0.035 +0.025	0 -0.005

85



FEATURES

- WELL PROVEN DESIGN
- TOLERANT TO CONTAMINATION
- HIGH PRESSURE CAPABILITY

DESIGN

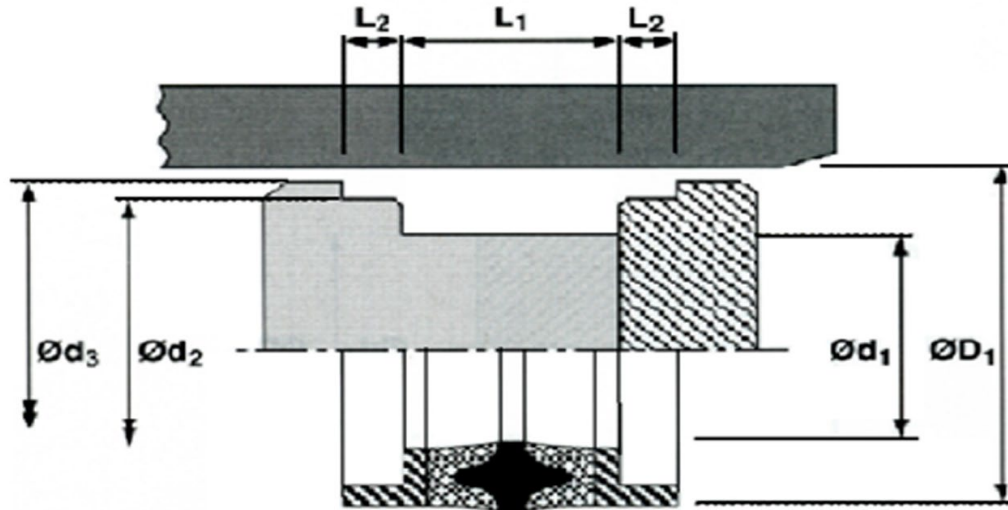
The Hallite 58 double acting piston seal combines the Hallite 56 seal with bearing rings to give a very robust heavy duty seal assembly for split pistons. It enables the designer to use larger clearances and, with the integral bearing rings, to restrict the piston length.

The assembly comprises a seal and two L shaped bearings. The centre of the seal is rubber which is bonded to two 'U' section bases of rubberised fabric, and is compressed by the housing to obtain an effective low pressure seal. When the pressure increases the rubber energises the 'U' section and deforms it to the housing, increasing the sealing area and improving the seal.

Rubberised fabric is used to protect the rubber, because it has strength and durability which combines with its ability to retain lubricant to help keep friction low and reduce wear.

Supporting the seal at either end is a polyacetal bearing proportioned to react to the pressure on the seal to prevent extrusion damage, and support the piston and its side load.

3/PC TYPE 58 PISTON SEALS



TYPE 58 PISTON SEAL ASSEMBLIES 3/PC

ITEM DESCRIPTION	O.D.	I.D.	L1	L2	LIST PRICE	UOM
1-1/4" T58 PISTON SEAL 3/PC	1.250	0.750	0.750	0.250	\$39.71	EA
1-1/2" T58 PISTON SEAL 3/PC	1.500	1.000	0.750	0.254	\$41.39	EA
1-3/4" T58 PISTON SEAL 3/PC	1.750	1.125	0.750	0.250	\$42.69	EA
2-0" T58 PISTON SEAL 3/PC	2.000	1.375	0.750	0.250	\$45.52	EA
2-1/8" T58 PISTON SEAL 3/PC	2.125	1.500	0.937	0.250	\$48.23	EA
2-1/4" T58 PISTON SEAL 3/PC	2.250	1.625	0.750	0.250	\$47.84	EA
2-3/8" T58 PISTON SEAL 3/PC	2.375	1.750	0.750	0.250	\$49.51	EA
2-1/2" T58 PISTON SEAL 3/PC	2.500	1.875	0.750	0.250	\$49.64	EA
2-3/4" T58 PISTON SEAL 3/PC	2.750	2.000	0.937	0.250	\$52.71	EA
3-0" T58 PISTON SEAL 3/PC	3.000	2.250	1.187	0.250	\$56.10	EA
3-1/4" T58 PISTON SEAL 3/PC	3.250	2.500	0.937	0.254	\$58.24	EA
3-1/4" T58 PISTON SEAL 3/PC	3.250	2.500	1.187	0.250	\$58.42	EA
3-1/2" T58 PISTON SEAL 3/PC	3.500	2.750	0.937	0.254	\$59.74	EA
3-3/4" T58 PISTON SEAL 3/PC	3.750	3.000	1.187	0.250	\$63.05	EA
4-1/2" T58 PISTON SEAL 3/PC	4.500	3.500	1.250	0.254	\$73.15	EA
4-1/2" T58 PISTON SEAL 3/PC	4.500	3.500	1.500	0.375	\$77.30	EA
4-5/8" T58 PISTON SEAL 3/PC	4.625	3.625	1.500	0.250	\$80.53	EA
4-3/4" T58 PISTON SEAL 3/PC	4.750	3.750	1.250	0.254	\$83.55	EA
5-0" T58 PISTON SEAL 3/PC	5.000	4.000	1.250	0.254	\$92.29	EA
5-0" T58 PISTON SEAL 3/PC	5.000	4.000	1.500	0.375	\$97.44	EA
5-1/4" T58 PISTON SEAL 3/PC	5.250	4.250	1.500	0.375	\$102.44	EA
6-0" T58 PISTON SEAL 3/PC	6.000	5.000	1.250	0.254	\$132.89	EA
6-0" T58 PISTON SEAL 3/PC	6.000	5.000	1.500	0.375	\$137.94	EA
6-1/4" T58 PISTON SEAL 3/PC	6.250	5.250	1.500	0.375	\$145.95	EA
6-1/2" T58 PISTON SEAL 3/PC	6.500	5.500	1.500	0.375	\$158.20	EA

TYPE 58 PISTON SEAL ASSEMBLIES 3/PC							
ITEM DESCRIPTION		O.D.	I.D.	L1	L2	LIST PRICE	UOM
7-0"	T58 PISTON SEAL 3/PC	7.000	6.000	1.500	0.375	\$178.37	EA
7-1/4"	T58 PISTON SEAL 3/PC	7.250	6.000	1.875	0.375	\$192.03	EA
8-0"	T58 PISTON SEAL 3/PC	8.000	7.000	1.250	0.375	\$213.76	EA
9-0"	T58 PISTON SEAL 3/PC	9.000	8.000	1.250	0.375	\$248.53	EA
10-0"	T58 PISTON SEAL 3/PC	10.000	9.000	1.250	0.375	\$294.65	EA

Low minimum of \$10.00 on all orders and same day shipping on most orders!

Piston seals



65

TECHNICAL DETAILS

METRIC

INCH

OPERATING CONDITIONS

MAXIMUM SPEED
TEMPERATURE RANGE
MAXIMUM PRESSURE

0.5 m/sec
-30°C + 100°C
200 bar

1.5 ft/sec
-22°F + 212°F
3000 p.s.i.

SURFACE ROUGHNESS

DYNAMIC SEALING FACE $\varnothing d_1$
STATIC SEALING FACE $\varnothing d_1$ $\varnothing d_2$
STATIC HOUSING FACES $\varnothing d_3$ L_1 L_2

μmRa μmRt
0.1 ↔ 0.4 4 max
1.6 max 10 max
3.2 max 16 max

μinCLA μinRMS
4 ↔ 16 5 ↔ 18
63 max 70 max
125 max 140 max

CHAMFERS & RADII

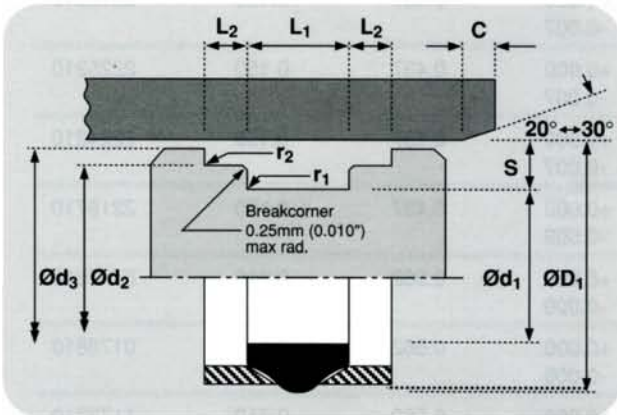
GROOVE SECTION $\leq S$ mm
MIN CHAMFER C mm
MAX FILLET RAD r_1 mm
MAX FILLET RAD r_2 mm
GROOVE SECTION $\leq S$ in
MIN CHAMFER C in
MAX FILLET RAD r_1 in
MAX FILLET RAD r_2 in

3.75	5.00	6.50	8.00	10.00
2.00	2.50	4.00	5.00	5.00
0.40	0.40	0.40	0.80	0.80
0.20	0.20	0.20	0.40	0.40
0.156	0.187	0.250	0.312	0.375
0.078	0.093	0.125	0.156	0.187
0.016	0.016	0.016	0.032	0.032
0.008	0.008	0.008	0.016	0.016

TOLERANCES

mm
in

$\varnothing d_1$	$\varnothing d_1$	$\varnothing d_2$	$\varnothing d_3$	L_1	L_2
H10	h9	h9	h11	+0.4 +0.13	0 -0.13
H10	h9	h9	h11	+0.015 +0.005	0 -0.005



DESIGN

Ideal for light to medium duty one piece piston applications, the Hallife 65 double acting seal is a simple, effective and economical design for pressures up to 200 bar/3000 p.s.i. Its compact dimensions enable the designer to keep the length of the piston to a minimum.

It is an assembly of a continuous rubber seal and two scarf cut bearings.

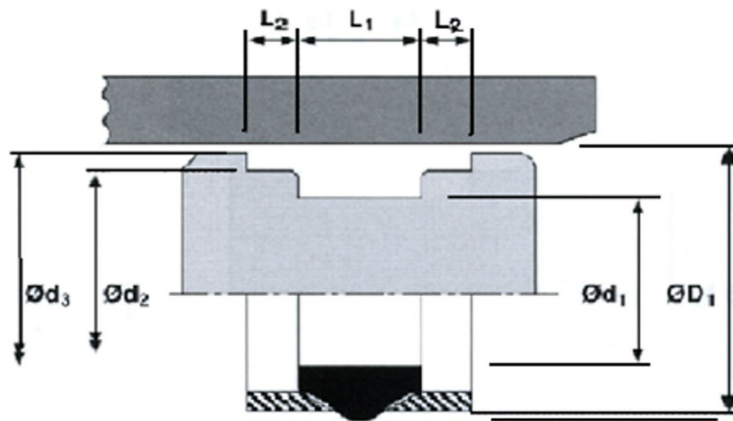
The nitrile rubber seal is designed to be pre-loaded by the housing to ensure an effective seal at low pressure. The outward thrust of the rubber seal on the bearings as it reacts to increasing pressure prevents any extrusion damage in the sealing area.

The polyacetal bearings are proportioned to support the piston and its side load.

FEATURES

- COMPACT DESIGN
- EASY ASSEMBLY
- LOW WEAR
- LONG LIFE

3/PC TYPE 65 PISTON SEALS



TYPE 65 PISTON SEAL ASSEMBLIES 3/PC

ITEM DESCRIPTION	O.D.	I.D.	L1	L2	LIST PRICE	UOM
1-0" T65 PISTON SEAL 3/PC	1.000	0.687	0.343	0.125	\$12.28	EA
1-1/4" T65 PISTON SEAL 3/PC	1.250	0.937	0.343	0.125	\$12.28	EA
1-1/2" T65 PISTON SEAL 3/PC	1.500	1.125	0.437	0.150	\$15.00	EA
1-3/4" T65 PISTON SEAL 3/PC	1.750	1.375	0.437	0.150	\$17.91	EA
2-0" T65 PISTON SEAL 3/PC	2.000	1.625	0.437	0.150	\$19.71	EA
2-1/4" T65 PISTON SEAL 3/PC	2.250	1.875	0.437	0.150	\$24.06	EA
2-1/2" T65 PISTON SEAL 3/PC	2.500	2.125	0.437	0.150	\$24.68	EA
2-3/4" T65 PISTON SEAL 3/PC	2.750	2.375	0.437	0.150	\$28.01	EA
3-0" T65 PISTON SEAL 3/PC	3.000	2.625	0.437	0.150	\$30.26	EA
4-0" T65 PISTON SEAL 3/PC	4.000	3.500	0.562	0.210	\$40.15	EA
4-1/4" T65 PISTON SEAL 3/PC	4.250	3.750	0.562	0.210	\$42.97	EA
4-1/2" T65 PISTON SEAL 3/PC	4.500	4.000	0.562	0.210	\$45.26	EA
4-3/4" T65 PISTON SEAL 3/PC	4.750	4.250	0.562	0.210	\$48.55	EA
5-0" T65 PISTON SEAL 3/PC	5.000	4.375	0.687	0.344	\$60.05	EA
5-1/2" T65 PISTON SEAL 3/PC	5.500	4.875	0.687	0.344	\$64.37	EA
6-0" T65 PISTON SEAL 3/PC	6.000	5.250	1.000	0.500	\$71.18	EA
6-1/2" T65 PISTON SEAL 3/PC	6.500	5.750	1.000	0.500	\$89.54	EA
7-0" T65 PISTON SEAL 3/PC	7.000	6.250	1.000	0.500	\$90.13	EA
7-1/2" T65 PISTON SEAL 3/PC	7.500	6.750	1.000	0.500	\$91.09	EA
8-0" T65 PISTON SEAL 3/PC	8.000	7.250	1.000	0.500	\$91.13	EA
9-0" T65 PISTON SEAL 3/PC	9.000	8.250	1.000	0.500	\$91.19	EA

CAST IRON PISTON RINGS



CAST IRON PISTON RINGS

ITEM DESCRIPTION	O.D.	WIDTH	LIST PRICE	UOM
CAST IRON PISTON RING	1.500	0.125	\$9.42	EA
CAST IRON PISTON RING	1.500	0.187	\$9.57	EA
CAST IRON PISTON RING	1.625	0.125	\$11.38	EA
CAST IRON PISTON RING	1.625	0.187	\$11.38	EA
CAST IRON PISTON RING	1.750	0.125	\$11.38	EA
CAST IRON PISTON RING	2.000	0.125	\$12.02	EA
CAST IRON PISTON RING	2.000	0.156	\$12.02	EA
CAST IRON PISTON RING	2.000	0.187	\$12.02	EA
CAST IRON PISTON RING	2.250	0.125	\$12.29	EA
CAST IRON PISTON RING	2.250	0.187	\$12.29	EA
CAST IRON PISTON RING	2.500	0.125	\$12.72	EA
CAST IRON PISTON RING	2.500	0.187	\$12.72	EA
CAST IRON PISTON RING	2.500	0.250	\$12.72	EA
CAST IRON PISTON RING	2.625	0.125	\$13.45	EA
CAST IRON PISTON RING	2.750	0.125	\$14.31	EA
CAST IRON PISTON RING	2.750	0.187	\$14.31	EA
CAST IRON PISTON RING	3.000	0.125	\$14.85	EA
CAST IRON PISTON RING	3.000	0.187	\$14.85	EA
CAST IRON PISTON RING	3.000	0.250	\$14.85	EA
CAST IRON PISTON RING	3.000	0.312	\$14.85	EA
CAST IRON PISTON RING	3.250	0.156	\$15.12	EA
CAST IRON PISTON RING	3.250	0.125	\$15.12	EA
CAST IRON PISTON RING	3.250	0.187	\$16.89	EA
CAST IRON PISTON RING	3.250	0.250	\$15.12	EA
CAST IRON PISTON RING	3.500	0.125	\$15.39	EA
CAST IRON PISTON RING	3.500	0.187	\$15.39	EA
CAST IRON PISTON RING	3.500	0.250	\$15.39	EA
CAST IRON PISTON RING	3.500	0.312	\$15.39	EA
CAST IRON PISTON RING	3.500	0.375	\$73.44	EA
CAST IRON PISTON RING	3.625	0.187	\$15.82	EA
CAST IRON PISTON RING	3.750	0.125	\$15.82	EA
CAST IRON PISTON RING	3.750	0.187	\$15.82	EA
CAST IRON PISTON RING	3.750	0.250	\$15.82	EA

CAST IRON PISTON RINGS

ITEM DESCRIPTION	O.D.	WIDTH	LIST PRICE	UOM
CAST IRON PISTON RING	4.000	0.125	\$17.93	EA
CAST IRON PISTON RING	4.000	0.187	\$17.93	EA
CAST IRON PISTON RING	4.000	0.250	\$17.93	EA
CAST IRON PISTON RING	4.000	0.312	\$17.93	EA
CAST IRON PISTON RING	4.250	0.187	\$18.24	EA
CAST IRON PISTON RING	4.250	0.250	\$18.24	EA
CAST IRON PISTON RING	4.375	0.250	\$18.24	EA
CAST IRON PISTON RING	4.500	0.187	\$18.64	EA
CAST IRON PISTON RING	4.500	0.250	\$18.64	EA
CAST IRON PISTON RING	4.500	0.312	\$18.64	EA
CAST IRON PISTON RING	4.500	0.375	\$79.49	EA
CAST IRON PISTON RING	4.750	0.125	\$19.09	EA
CAST IRON PISTON RING	5.000	0.200	\$10.57	EA
CAST IRON PISTON RING	5.000	0.187	\$19.36	EA
CAST IRON PISTON RING	5.000	0.250	\$19.36	EA
CAST IRON PISTON RING	5.000	0.312	\$19.36	EA
CAST IRON PISTON RING	5.000	0.375	\$19.36	EA
CAST IRON PISTON RING	5.250	0.187	\$20.09	EA
CAST IRON PISTON RING	5.250	0.250	\$20.09	EA
CAST IRON PISTON RING	5.500	0.187	\$20.51	EA
CAST IRON PISTON RING	5.500	0.250	\$20.51	EA
CAST IRON PISTON RING	5.500	0.312	\$20.51	EA
CAST IRON PISTON RING	5.500	0.375	\$20.51	EA
CAST IRON PISTON RING	5.750	0.250	\$20.71	EA
CAST IRON PISTON RING	6.000	0.125	\$21.33	EA
CAST IRON PISTON RING	6.000	0.187	\$21.47	EA
CAST IRON PISTON RING	6.000	0.250	\$21.94	EA
CAST IRON PISTON RING	6.000	0.312	\$23.45	EA
CAST IRON PISTON RING	6.000	0.375	\$23.45	EA
CAST IRON PISTON RING	6.000	0.500	\$23.45	EA
CAST IRON PISTON RING	6.125	0.250	\$26.50	EA
CAST IRON PISTON RING	6.250	0.250	\$30.39	EA
CAST IRON PISTON RING	6.250	0.312	\$33.70	EA
CAST IRON PISTON RING	6.500	0.250	\$35.86	EA
CAST IRON PISTON RING	6.500	0.312	\$35.86	EA
CAST IRON PISTON RING	6.750	0.187	\$36.23	EA
CAST IRON PISTON RING	6.750	0.250	\$36.23	EA

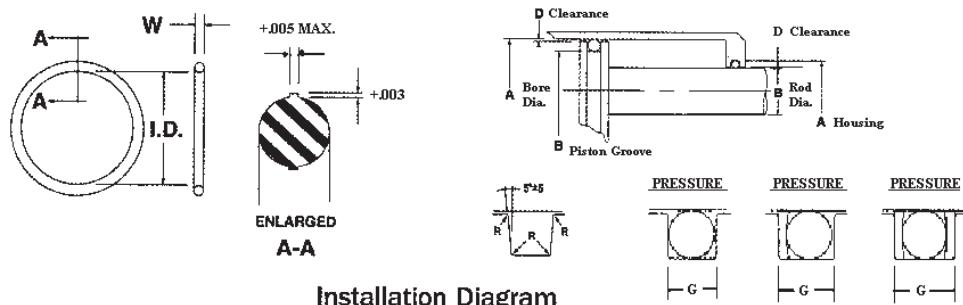
CAST IRON PISTON RINGS

ITEM DESCRIPTION	O.D.	WIDTH	LIST PRICE	UOM
CAST IRON PISTON RING	7.000	0.250	\$36.99	EA
CAST IRON PISTON RING	7.000	0.312	\$37.29	EA
CAST IRON PISTON RING	7.000	0.375	\$37.29	EA
CAST IRON PISTON RING	7.250	0.250	\$38.04	EA
CAST IRON PISTON RING	7.250	0.312	\$38.04	EA
CAST IRON PISTON RING	7.500	0.250	\$39.01	EA
CAST IRON PISTON RING	7.500	0.312	\$39.01	EA
CAST IRON PISTON RING	8.000	0.250	\$44.09	EA
CAST IRON PISTON RING	8.000	0.312	\$44.09	EA
CAST IRON PISTON RING	8.000	0.375	\$44.09	EA
CAST IRON PISTON RING	8.000	0.434	\$44.09	EA
CAST IRON PISTON RING	8.125	0.250	\$46.46	EA
CAST IRON PISTON RING	8.250	0.250	\$46.46	EA
CAST IRON PISTON RING	8.500	0.250	\$48.10	EA
CAST IRON PISTON RING	8.500	0.312	\$48.10	EA
CAST IRON PISTON RING	8.500	0.375	\$52.33	EA
CAST IRON PISTON RING	8.750	0.312	\$52.33	EA
CAST IRON PISTON RING	9.000	0.250	\$49.74	EA
CAST IRON PISTON RING	9.000	0.312	\$56.22	EA
CAST IRON PISTON RING	9.000	0.375	\$56.22	EA
CAST IRON PISTON RING	9.000	0.434	\$56.22	EA
CAST IRON PISTON RING	9.250	0.250	\$59.73	EA
CAST IRON PISTON RING	9.500	0.250	\$64.96	EA
CAST IRON PISTON RING	9.500	0.312	\$65.58	EA
CAST IRON PISTON RING	9.750	0.250	\$65.58	EA
CAST IRON PISTON RING	10.000	0.312	\$102.92	EA
CAST IRON PISTON RING	10.000	0.375	\$102.92	EA
CAST IRON PISTON RING	10.000	0.500	\$102.92	EA
CAST IRON PISTON RING	10.500	0.375	\$148.42	EA
CAST IRON PISTON RING	11.000	0.375	\$120.83	EA
CAST IRON PISTON RING	12.000	0.375	\$245.45	EA
CAST IRON PISTON RING	12.000	0.625	\$252.60	EA
CAST IRON PISTON RING	13.000	0.500	\$304.83	EA
CAST IRON PISTON RING	14.000	0.500	\$401.38	EA
CAST IRON PISTON RING	16.000	0.500	\$491.15	EA
CAST IRON PISTON RING	20.000	0.750	\$762.18	EA

Call Fax or E-mail your order today!

O-Ring Section

O-Ring Size Chart & Installation Data



Installation Diagram

Size Chart						Installation Data - Groove Dimensions									
UNIVERSAL SERIES AS568A DASH NOS.	NOMINAL SIZE			ACTUAL SIZE		Reciprocating Seals				Static Seals				Rotary Seals	
	I.D.	O.D.	W.	I.D.	Width	I.D. Sealing		O.D. Sealing		I.D. Sealing		O.D. Sealing		I.D. Sealing	
						A	B	A	B	A	B	A	B	A	B
2-001	1/32	3/32	1/32	0.029 ± .004	0.040 ± .003					.101	.040	.105	.044		
2-001.5	1/16	1/8	1/32	0.070 ± .004	0.040 ± .003					.142	.081	.146	.085		
2-002	3/64	9/64	3/64	0.042 ± .004	0.050 ± .003					.132	.053	.138	.059		
2-003	1/16	3/16	1/16	0.056 ± .004	0.060 ± .003					.162	.067	.172	.077		
2-004	5/64	13/64	1/16	0.070 ± .005	0.070 ± .003					.181	.081	.206	.106	.202	.072
2-005	3/32	7/32	1/16	0.101 ± .005	0.070 ± .003					.212	.112	.237	.137	.233	.103
2-006	1/8	1/4	1/16	0.114 ± .005	0.070 ± .003	.234	.124	.249	.139	.225	.125	.250	.150	.246	.116
2-007	5/32	9/32	1/16	0.145 ± .005	0.070 ± .003	.265	.155	.280	.170	.256	.156	.281	.181	.277	.147
2-008	3/16	5/16	1/16	0.176 ± .005	0.070 ± .003	.296	.186	.311	.201	.287	.187	.312	.212	.308	.178
2-009	7/32	11/32	1/16	0.208 ± .005	0.070 ± .003	.328	.218	.343	.233	.318	.218	.343	.243	.340	.210
2-010	1/4	3/8	1/16	0.239 ± .005	0.070 ± .003	.359	.249	.374	.264	.350	.250	.375	.275	.371	.241
2-011	5/16	7/16	1/16	0.301 ± .005	0.070 ± .003	.421	.311	.436	.326	.412	.312	.437	.337	.433	.303
2-012	3/8	1/2	1/16	0.364 ± .005	0.070 ± .003	.484	.374	.499	.389	.475	.375	.500	.400	.496	.366
2-013	7/16	9/16	1/16	0.426 ± .005	0.070 ± .003					.537	.437	.562	.462	.558	.428
2-014	1/2	5/8	1/16	0.489 ± .005	0.070 ± .003					.600	.500	.625	.525	.621	.491
2-015	9/16	11/16	1/16	0.551 ± .007	0.070 ± .003					.662	.562	.687	.587	.683	.553
2-016	5/8	3/4	1/16	0.614 ± .009	0.070 ± .003					.725	.625	.750	.650	.746	.616
2-017	11/16	13/16	1/16	0.676 ± .009	0.070 ± .003					.787	.687	.812	.712	.808	.678
2-018	3/4	7/8	1/16	0.739 ± .009	0.070 ± .003					.850	.750	.875	.775	.871	.741
2-019	13/16	15/16	1/16	0.801 ± .009	0.070 ± .003					.912	.812	.937	.837	.933	.803
2-020	7/8	1	1/16	0.864 ± .009	0.070 ± .003					.975	.875	1.000	.900	.996	.866
2-021	15/16	1-1/16	1/16	0.926 ± .009	0.070 ± .003					1.037	.937	1.062	.962	1.058	.928
2-022	1	1-1/8	1/16	0.989 ± .010	0.070 ± .003					1.100	1.000	1.125	1.025	1.121	.991
2-023	1-1/16	1-3/16	1/16	1.051 ± .010	0.070 ± .003					1.162	1.062	1.187	1.087	1.183	1.053
2-024	1-1/8	1-1/4	1/16	1.114 ± .010	0.070 ± .003					1.225	1.125	1.250	1.150	1.246	1.116
2-025	1-3/16	1-5/16	1/16	1.176 ± .011	0.070 ± .003					1.287	1.187	1.312	1.212	1.308	1.178
2-026	1-1/4	1-3/8	1/16	1.239 ± .011	0.070 ± .003					1.350	1.250	1.375	1.275	1.371	1.241
2-027	1-5/16	1-7/16	1/16	1.301 ± .011	0.070 ± .003					1.412	1.312	1.437	1.337	1.433	1.303
2-028	1-3/8	1-1/2	1/16	1.364 ± .013	0.070 ± .003					1.475	1.375	1.500	1.400	1.496	1.366
2-029	1-1/2	1-5/8	1/16	1.489 ± .013	0.070 ± .003					1.600	1.500	1.625	1.525	1.621	1.491
2-030	1-5/8	1-3/4	1/16	1.614 ± .013	0.070 ± .003					1.725	1.625	1.750	1.650	1.746	1.616
2-031	1-3/4	1-7/8	1/16	1.739 ± .015	0.070 ± .003					1.850	1.750	1.875	1.775	1.871	1.741
2-032	1-7/8	2	1/16	1.864 ± .015	0.070 ± .003					1.975	1.875	2.000	1.900	1.996	1.866
2-033	2	2-1/8	1/16	1.989 ± .018	0.070 ± .003					2.100	2.000	2.125	2.025	2.121	1.991
2-034	2-1/8	2-1/4	1/16	2.114 ± .018	0.070 ± .003					2.225	2.125	2.250	2.150	2.246	2.116
2-035	2-1/4	2-3/8	1/16	2.239 ± .018	0.070 ± .003					2.350	2.250	2.375	2.275	2.371	2.241
2-036	2-3/8	2-1/2	1/16	2.364 ± .018	0.070 ± .003					2.475	2.375	2.500	2.400	2.496	2.366

Size Chart						Installation Data -- Groove Dimensions									
UNIVERSAL SERIES AS568A DASH NOS.	NOMINAL SIZE			ACTUAL SIZE		Reciprocating Seals				Static Seals				Rotary Seals	
						I.D. Sealing		O.D. Sealing		I.D. Sealing		O.D. Sealing		I.D. Sealing	
	I.D.	O.D.	W.	I.D.	W.	A	B	A	B	A	B	A	B	A	B
2-037	2-1/2	2-5/8	1/16	2.489 ± .010	0.070 ± .003					2.600	2.500	2.625	2.525	2.621	2.491
2-038	2-5/8	2-3/4	1/16	2.614 ± .020	0.070 ± .003					2.725	2.625	2.750	2.650	2.746	2.616
2-039	2-3/4	2-7/8	1/16	2.739 ± .020	0.070 ± .003					2.850	2.750	2.875	2.775	2.871	2.741
2-040	2-7/8	3	1/16	2.864 ± .020	0.070 ± .003					2.975	2.875	3.000	2.900	2.996	2.866
2-041	3	3-1/8	1/16	2.989 ± .024	0.070 ± .003					3.100	3.000	3.125	3.025	3.121	2.991
2-042	3-1/4	3-3/8	1/16	3.239 ± .024	0.070 ± .003					3.350	3.250	3.375	3.275	3.371	3.241
2-043	3-1/2	3-5/8	1/16	3.489 ± .024	0.070 ± .003					3.600	3.500	3.625	3.525	3.621	3.491
2-044	3-3/4	3-7/8	1/16	3.739 ± .027	0.070 ± .003					3.850	3.750	3.875	3.775	3.871	3.741
2-045	4	4-1/8	1/16	3.989 ± .027	0.070 ± .003					4.100	4.000	4.125	4.025	4.121	3.991
2-046	4-1/4	4-3/8	1/16	4.239 ± .030	0.070 ± .003					4.350	4.250	4.375	4.275		
2-047	4-1/2	4-5/8	1/16	4.489 ± .030	0.070 ± .003					4.600	4.500	4.625	4.525		
2-048	4-3/4	4-7/8	1/16	4.739 ± .030	0.070 ± .003					4.850	4.750	4.875	4.775		
2-049	5	5-1/8	1/16	4.989 ± .037	0.070 ± .003					5.100	5.000	5.125	5.025		
2-050	5-1/4	5-3/8	1/16	5.239 ± .037	0.070 ± .003					5.350	5.250	5.375	5.275		
2-102	1/16	1/4	3/32	0.049 ± .005	0.103 ± .003					.220	.057	.221	.057	.243	.051
2-103	3/32	9/32	3/32	0.081 ± .005	0.103 ± .003					.256	.099	.257	.099	.275	.083
2-104	1/8	5/16	3/32	0.112 ± .005	0.103 ± .003	.293	.123	.322	.138	.287	.121	.288	.121	.305	.114
2-105	5/32	11/32	3/32	0.143 ± .005	0.103 ± .003	.323	.153	.340	.170	.319	.153	.320	.153	.336	.145
2-106	3/16	3/8	3/32	0.174 ± .005	0.103 ± .003	.356	.186	.371	.201	.351	.185	.352	.185	.367	.176
2-107	7/32	13/32	3/32	0.206 ± .005	0.103 ± .003	.376	.216	.401	.231	.383	.217	.384	.217	.399	.208
2-108	1/4	7/16	3/32	0.237 ± .005	0.103 ± .003	.417	.247	.432	.262	.416	.250	.417	.250	.440	.239
2-109	5/16	1/2	3/32	0.299 ± .005	0.103 ± .003	.479	.309	.494	.324	.479	.313	.480	.313	.492	.301
2-110	3/8	9/16	3/32	0.362 ± .005	0.103 ± .003	.550	.374	.562	.386	.537	.375	.562	.400	.558	.364
2-111	7/16	5/8	3/32	0.424 ± .005	0.103 ± .003	.612	.436	.624	.448	.599	.437	.625	.463	.620	.426
2-112	1/2	11/16	3/32	0.487 ± .005	0.103 ± .003	.675	.499	.687	.511	.662	.500	.687	.525	.683	.489
2-113	9/16	3/4	3/32	0.549 ± .007	0.103 ± .003	.737	.561	.749	.573	.724	.562	.750	.588	.745	.551
2-114	5/8	13/16	3/32	0.612 ± .009	0.103 ± .003	.800	.624	.812	.636	.787	.625	.812	.650	.808	.614
2-115	11/16	7/8	3/32	0.674 ± .009	0.103 ± .003	.862	.686	.874	.698	.849	.687	.875	.713	.870	.676
2-116	3/4	15/16	3/32	0.737 ± .009	0.103 ± .003	.925	.749	.937	.761	.912	.750	.937	.775	.933	.739
2-117	13/16	1	3/32	0.799 ± .010	0.103 ± .003					.974	.812	1.000	.838	.995	.801
2-118	7/8	1-1/16	3/32	0.862 ± .010	0.103 ± .003					1.037	.875	1.062	.900	1.058	.864
2-119	15/16	1-1/8	3/32	0.924 ± .010	0.103 ± .003					1.099	.937	1.125	.963	1.120	.926
2-120	1	1-3/16	3/32	0.987 ± .010	0.103 ± .003					1.162	1.000	1.187	1.025	1.183	.989
2-121	1-1/16	1-1/4	3/32	1.049 ± .010	0.103 ± .003					1.224	1.062	1.250	1.088	1.245	1.051
2-122	1-1/8	1-5/16	3/32	1.112 ± .010	0.103 ± .003					1.287	1.125	1.312	1.150	1.308	1.114
2-123	1-3/16	1-3/8	3/32	1.174 ± .012	0.103 ± .003					1.349	1.187	1.375	1.213	1.370	1.176
2-124	1-1/4	1-7/16	3/32	1.237 ± .012	0.103 ± .003					1.412	1.250	1.437	1.275	1.433	1.239
2-125	1-5/16	1-1/2	3/32	1.299 ± .012	0.103 ± .003					1.474	1.312	1.500	1.338	1.495	1.301
2-126	1-3/8	1-9/16	3/32	1.362 ± .012	0.103 ± .003					1.537	1.375	1.562	1.400	1.558	1.364
2-127	1-7/16	1-5/8	3/32	1.424 ± .012	0.103 ± .003					1.599	1.437	1.625	1.463	1.620	1.426
2-128	1-1/2	1-11/16	3/32	1.487 ± .012	0.103 ± .003			1.662	1.500	1.687	1.525	1.683	1.489		
2-129	1-9/16	1-3/4	3/32	1.549 ± .015	0.103 ± .003					1.724	1.562	1.750	1.588	1.745	1.551
2-130	1-5/8	1-13/16	3/32	1.612 ± .015	0.103 ± .003			1.787	1.625	1.812	1.650	1.808	1.614		
2-131	1-11/16	1-7/8	3/32	1.674 ± .015	0.103 ± .003			1.849	1.687	1.875	1.713	1.870	1.676		
2-132	1-3/4	1-15/16	3/32	1.737 ± .015	0.103 ± .003			1.912	1.750	1.937	1.775	1.933	1.739		
2-133	1-13/16	2	3/32	1.799 ± .015	0.103 ± .003			1.974	1.812	2.000	1.838	1.995	1.801		
2-134	1-7/8	2-1/16	3/32	1.862 ± .015	0.103 ± .003					2.037	1.875	2.062	1.900	2.058	1.864
2-135	1-15/16	2-1/8	3/32	1.925 ± .017	0.103 ± .003			2.099	1.937	2.125	1.963	2.121	1.927		
2-136	2	2-3/16	3/32	1.987 ± .017	0.103 ± .003					2.162	2.000	2.187	2.025	2.183	1.989
2-137	2-1/16	2-1/4	3/32	2.050 ± .017	0.103 ± .003					2.224	2.062	2.250	2.088	2.246	2.052
2-138	2-1/8	2-5/16	3/32	2.112 ± .017	0.103 ± .003					2.287	2.125	2.312	2.150	2.308	2.114
2-139	2-3/16	2-3/8	3/32	2.175 ± .017	0.103 ± .003					2.349	2.187	2.375	2.213	2.371	2.177
2-140	2-1/4	2-7/16	3/32	2.237 ± .017	0.103 ± .003					2.412	2.250	2.437	2.275	2.433	2.239

Size Chart						Installation Data -- Groove Dimensions									
UNIVERSAL SERIES AS568A DASH NOS.	NOMINAL SIZE			ACTUAL SIZE		Reciprocating Seals				Static Seals				Rotary Seals	
						I.D. Sealing		O.D. Sealing		I.D. Sealing		O.D. Sealing		I.D. Sealing	
	I.D.	O.D.	W.	I.D.	Width	A	B	A	B	A	B	A	B	A	B
	2-141	2-5/16	2-1/2	3/32	2.300 ± .020	0.103 ± .003					2.474	2.312	2.50	2.338	2.496
2-142	2-3/8	2-9/16	3/32	2.362 ± .020	0.103 ± .003					2.537	2.375	2.562	2.400	2.558	2.364
2-143	2-7/16	2-5/8	3/32	2.425 ± .020	0.103 ± .003					2.599	2.437	2.625	2.463	2.621	2.427
2-144	2-1/2	2-11/16	3/32	2.487 ± .020	0.103 ± .003					2.662	2.500	2.687	2.525	2.683	2.489
2-145	2-9/16	2-3/4	3/32	2.550 ± .020	0.103 ± .003					2.724	2.562	2.750	2.588	2.746	2.552
2-146	2-5/8	2-13/16	3/32	2.612 ± .020	0.103 ± .003					2.787	2.625	2.812	2.650	2.808	2.614
2-147	2-11/16	2-7/8	3/32	2.675 ± .022	0.103 ± .003					2.849	2.687	2.875	2.713	2.871	2.677
2-148	2-3/4	2-15/16	3/32	2.737 ± .022	0.103 ± .003					2.912	2.750	2.937	2.775	2.933	2.739
2-149	2-13/16	3	3/32	2.800 ± .022	0.103 ± .003					2.974	2.812	3.000	2.838	2.996	2.802
2-150	2-7/8	3-1/16	3/32	2.862 ± .022	0.103 ± .003					2.037	2.875	3.062	2.900	3.058	2.864
2-151	3	3-3/16	3/32	2.987 ± .024	0.103 ± .003					3.162	3.000	3.187	3.025	3.183	2.989
2-152	3-1/4	3-7/16	3/32	3.237 ± .024	0.103 ± .003					3.412	3.250	3.437	3.275	3.433	3.239
2-153	3-1/2	3-11/16	3/32	3.487 ± .024	0.103 ± .003					3.662	3.500	3.687	3.525	3.683	3.489
2-154	3-3/4	3-15/16	3/32	3.737 ± .028	0.103 ± .003					3.912	3.750	3.937	3.775	3.933	3.739
2-155	4	4-3/16	3/32	3.987 ± .028	0.103 ± .003					4.162	4.000	4.187	4.025	4.183	3.989
2-156	4-1/4	4-7/16	3/32	4.237 ± .030	0.103 ± .003					4.412	4.250	4.437	4.275	4.433	4.239
2-157	4-1/2	4-11/16	3/32	4.487 ± .030	0.103 ± .003					4.662	4.500	4.687	4.525	4.683	4.489
2-158	4-3/4	4-15/16	3/32	4.737 ± .035	0.103 ± .003					4.912	4.750	4.937	4.775	4.933	4.739
2-159	5	5-3/16	3/32	4.987 ± .035	0.103 ± .003					5.162	5.000	5.187	5.025	5.183	4.989
2-160	5-1/4	5-7/16	3/32	5.237 ± .035	0.103 ± .003					5.412	5.250	5.437	5.275	5.433	5.239
2-161	5-1/2	5-11/16	3/32	5.487 ± .035	0.103 ± .003					5.662	5.500	5.687	5.525	5.683	5.489
2-162	5-3/4	5-15/16	3/32	5.737 ± .035	0.103 ± .003					5.912	5.750	5.937	5.775	5.933	5.739
2-163	6	6-3/16	3/32	5.987 ± .040	0.103 ± .003					6.162	6.000	6.187	6.025	6.183	5.989
2-164	6-1/4	6-7/16	3/32	6.237 ± .040	0.103 ± .003					6.412	6.250	6.437	6.275		
2-165	6-1/2	6-11/16	3/32	6.487 ± .040	0.103 ± .003					6.662	6.500	6.687	6.525		
2-166	6-3/4	6-15/16	3/32	6.737 ± .040	0.103 ± .003					6.912	6.750	6.937	6.775		
2-167	7	7-3/16	3/32	6.987 ± .040	0.103 ± .003					7.162	7.000	7.187	7.025		
2-168	7-1/4	7-7/16	3/32	7.237 ± .045	0.103 ± .003					7.412	7.250	7.437	7.275		
2-169	7-1/2	7-11/16	3/32	7.487 ± .045	0.103 ± .003					7.662	7.500	7.687	7.525		
2-170	7-3/4	7-15/16	3/32	7.737 ± .045	0.103 ± .003					7.912	7.750	7.937	7.775		
2-171	8	8-3/16	3/32	7.987 ± .045	0.103 ± .003					8.162	8.000	8.187	8.025		
2-172	8-1/4	8-7/16	3/32	8.237 ± .050	0.103 ± .003					8.412	8.250	8.437	8.275		
2-173	8-1/2	8-11/16	3/32	8.487 ± .050	0.103 ± .003					8.662	8.500	8.687	8.525		
2-174	8-3/4	8-15/16	3/32	8.737 ± .050	0.103 ± .003					8.912	8.750	8.937	8.775		
2-175	9	9-3/16	3/32	8.987 ± .050	0.103 ± .003					9.162	9.000	9.187	9.025		
2-176	9-1/4	9-7/16	3/32	9.237 ± .055	0.103 ± .003					9.412	9.250	9.437	9.275		
2-177	9-1/2	9-11/16	3/32	9.487 ± .055	0.103 ± .003					9.662	9.500	9.687	9.525		
2-178	9-3/4	9-15/16	3/32	9.737 ± .055	0.103 ± .003					9.912	9.750	9.937	9.775		
2-201	3/16	7/16	1/8	0.171 ± .005	0.139 ± .004	.427	.181	.442	.196	.408	.182	.408	.182	.440	.172
2-202	1/4	1/2	1/8	0.234 ± .005	0.139 ± .004	.490	.244	.505	.259	.474	.247	.474	.247	.503	.235
2-203	5/16	9/16	1/8	0.296 ± .005	0.139 ± .004	.552	.306	.568	.322	.539	.310	.539	.310	.565	.297
2-204	3/8	5/8	1/8	0.359 ± .005	0.139 ± .004	.615	.369	.630	.384	.601	.374	.601	.374	.628	.360
2-205	7/16	11/16	1/8	0.421 ± .005	0.139 ± .004	.679	.433	.691	.445	.664	.438	.664	.438	.690	.422
2-206	1/2	3/4	1/8	0.484 ± .005	0.139 ± .004	.742	.496	.754	.508	.729	.502	.729	.502	.753	.485
2-207	9/16	13/16	1/8	0.546 ± .007	0.139 ± .004	.803	.557	.815	.569	.792	.565	.792	.565	.815	.547
2-208	5/8	7/8	1/8	0.609 ± .009	0.139 ± .004	.867	.621	.879	.633	.858	.631	.858	.631	.878	.610
2-209	11/16	15/16	1/8	0.671 ± .009	0.139 ± .004	.927	.681	.940	.694	.921	.695	.921	.695	.940	.672
2-210	3/4	1	1/8	0.734 ± .010	0.139 ± .004	.990	.748	1.000	.758	.972	.750	1.000	.778	1.002	.736
2-211	13/16	1-1/16	1/8	0.796 ± .010	0.139 ± .004	1.052	.810	1.062	.820	1.034	.812	1.062	.840	1.064	.798
2-212	7/8	1-1/8	1/8	0.859 ± .010	0.139 ± .004	1.115	.873	1.125	.883	1.097	.875	1.125	.903	1.127	.861
2-213	15/16	1-3/16	1/8	0.921 ± .010	0.139 ± .004	1.177	.935	1.187	.945	1.159	.937	1.187	.965	1.189	.923
2-214	1	1-1/4	1/8	0.984 ± .010	0.139 ± .004	1.240	.998	1.250	1.008	1.222	1.000	1.250	1.028	1.252	.986
2-215	1-1/16	1-5/16	1/8	1.046 ± .010	0.139 ± .004	1.302	1.060	1.312	1.070	1.284	1.062	1.312	1.090	1.314	1.048

Size Chart					Installation Data -- Groove Dimensions										
UNIVERSAL SERIES AS568A Dash Nos.	NOMINAL SIZE			ACTUAL SIZE		Reciprocating Seals				Static Seals				Rotary Seals	
	I.D.	O.D.	W.	I.D.	WIDTH	I.D. Sealing		O.D. Sealing		I.D. Sealing		O.D. Sealing		I.D. Sealing	
						A	B	A	B	A	B	A	B	A	B
2-216	1-1/8	1-3/8	1/8	1.109 ± .012	0.139 ± .004	1.365	1.123	1.375	1.133	1.347	1.125	1.375	1.153	1.377	1.111
2-217	1-3/16	1-7/16	1/8	1.171 ± .012	0.139 ± .004	1.427	1.185	1.437	1.195	1.409	1.187	1.437	1.215	1.439	1.173
2-218	1-1/4	1-1/2	1/8	1.234 ± .012	0.139 ± .004	1.490	1.248	1.500	1.258	1.472	1.250	1.500	1.278	1.502	1.236
2-219	1-5/16	1-9/16	1/8	1.296 ± .012	0.139 ± .004	1.552	1.310	1.562	1.320	1.534	1.312	1.562	1.340	1.564	1.298
2-220	1-3/8	1-5/8	1/8	1.359 ± .012	0.139 ± .004	1.615	1.373	1.625	1.383	1.597	1.375	1.625	1.403	1.627	1.361
2-221	1-7/16	1-11/16	1/8	1.421 ± .012	0.139 ± .004	1.677	1.435	1.687	1.445	1.659	1.437	1.687	1.465	1.689	1.423
2-222	1-1/2	1-3/4	1/8	1.484 ± .015	0.139 ± .004	1.740	1.498	1.750	1.508	1.722	1.500	1.750	1.528	1.752	1.486
2-223	1-5/8	1-7/8	1/8	1.609 ± .015	0.139 ± .004					1.847	1.625	1.875	1.653	1.877	1.611
2-224	1-3/4	2	1/8	1.734 ± .015	0.139 ± .004					1.972	1.750	2.000	1.778	2.002	1.736
2-225	1-7/8	2-1/8	1/8	1.859 ± .018	0.139 ± .004					2.097	1.875	2.125	1.903	2.127	1.861
2-226	2	2-1/4	1/8	1.984 ± .018	0.139 ± .004					2.222	2.000	2.250	2.028	2.252	1.986
2-227	2-1/8	2-3/8	1/8	2.019 ± .018	0.139 ± .004					2.347	2.125	2.375	2.153	2.377	2.111
2-228	2-1/4	2-1/2	1/8	2.234 ± .020	0.139 ± .004					2.472	2.250	2.500	2.278	2.502	2.236
2-229	2-3/8	2-5/8	1/8	2.359 ± .020	0.139 ± .004					2.597	2.375	2.625	2.403	2.627	2.361
2-230	2-1/2	2-3/4	1/8	2.484 ± .020	0.139 ± .004					2.722	2.500	2.750	2.528	2.752	2.486
2-231	2-5/8	2-7/8	1/8	2.609 ± .020	0.139 ± .004					2.847	2.625	2.875	2.653	2.877	2.611
2-232	2-3/4	3	1/8	2.734 ± .024	0.139 ± .004					2.972	2.750	3.000	2.778	3.002	2.736
2-233	2-7/8	3-1/8	1/8	2.859 ± .024	0.139 ± .004					3.097	2.875	3.125	2.903	3.127	2.861
2-234	3	3-1/4	1/8	2.984 ± .024	0.139 ± .004					3.222	3.000	3.250	3.028	3.252	2.986
2-235	3-1/8	3-3/8	1/8	3.109 ± .024	0.139 ± .004					3.347	3.125	3.375	3.153	3.377	3.111
2-236	3-1/4	3-1/2	1/8	3.234 ± .024	0.139 ± .004					3.472	3.250	3.500	3.278	3.502	3.236
2-237	3-3/8	3-5/8	1/8	3.359 ± .024	0.139 ± .004					3.597	3.375	3.625	3.403	3.627	3.361
2-238	3-1/2	3-3/4	1/8	3.484 ± .024	0.139 ± .004					3.722	3.500	3.750	3.528	3.752	3.486
2-239	3-5/8	3-7/8	1/8	3.609 ± .028	0.139 ± .004					3.847	3.625	3.875	3.653	3.877	3.611
2-240	3-3/4	4	1/8	3.734 ± .028	0.139 ± .004					3.972	3.750	4.000	3.778	4.002	3.736
2-241	3-7/8	4-1/8	1/8	3.859 ± .028	0.139 ± .004					4.097	3.875	4.125	3.903	4.127	3.861
2-242	4	4-1/4	1/8	3.984 ± .028	0.139 ± .004					4.222	4.000	4.250	4.028	4.252	3.986
2-243	4-1/8	4-3/8	1/8	4.109 ± .028	0.139 ± .004					4.347	4.125	4.375	4.153	4.377	4.111
2-244	4-1/4	4-1/2	1/8	4.234 ± .030	0.139 ± .004					4.472	4.250	4.500	4.278	4.502	4.236
2-245	4-3/8	4-5/8	1/8	4.359 ± .030	0.139 ± .004					4.597	4.375	4.625	4.403	4.627	4.361
2-246	4-1/2	4-3/4	1/8	4.484 ± .030	0.139 ± .004					4.722	4.500	4.750	4.528	4.752	4.486
2-247	4-5/8	4-7/8	1/8	4.609 ± .030	0.139 ± .004					4.847	4.625	4.875	4.653	4.877	4.611
2-248	4-3/4	5	1/8	4.734 ± .030	0.139 ± .004					4.972	4.750	5.000	4.778	5.002	4.736
2-249	4-7/8	5-1/8	1/8	4.859 ± .035	0.139 ± .004					5.097	4.875	5.125	4.903	5.127	4.861
2-250	5	5-1/4	1/8	4.984 ± .035	0.139 ± .004					5.222	5.000	5.250	5.028	5.252	4.986
2-251	5-1/8	5-3/8	1/8	5.109 ± .035	0.139 ± .004					5.347	5.125	5.375	5.153	5.377	5.111
2-252	5-1/4	5-1/2	1/8	5.234 ± .035	0.139 ± .004					5.472	5.250	5.500	5.278	5.502	5.236
2-253	5-3/8	5-5/8	1/8	5.359 ± .035	0.139 ± .004					5.597	5.375	5.625	5.403	5.627	5.361
2-254	5-1/2	5-3/4	1/8	5.484 ± .035	0.139 ± .004					5.722	5.500	5.750	5.528	5.752	5.486
2-255	5-5/8	5-7/8	1/8	5.609 ± .035	0.139 ± .004					5.847	5.625	5.875	5.653	5.877	5.611
2-256	5-3/4	6	1/8	5.734 ± .035	0.139 ± .004					5.972	5.750	6.000	5.778	6.002	5.736
2-257	5-7/8	6-1/8	1/8	5.859 ± .035	0.139 ± .004					6.097	5.875	6.125	5.903	6.127	5.861
2-258	6	6-1/4	1/8	5.984 ± .035	0.139 ± .004					6.222	6.000	6.250	6.028	6.252	5.986
2-259	6-1/4	6-1/2	1/8	6.234 ± .040	0.139 ± .004					6.472	6.250	6.500	6.278		
2-260	6-1/2	6-3/4	1/8	6.484 ± .040	0.139 ± .004					6.722	6.500	6.750	6.528		
2-261	6-3/4	7	1/8	6.734 ± .040	0.139 ± .004					6.972	6.750	7.000	6.778		
2-262	7	7-1/4	1/8	6.984 ± .040	0.139 ± .004					7.222	7.000	7.250	7.028		
2-263	7-1/4	7-1/2	1/8	7.234 ± .045	0.139 ± .004					7.472	7.250	7.500	7.278		
2-264	7-1/2	7-3/4	1/8	7.484 ± .045	0.139 ± .004					7.722	7.500	7.750	7.528		
2-265	7-3/4	8	1/8	7.734 ± .045	0.139 ± .004					7.972	7.750	8.000	7.778		
2-266	8	8-1/4	1/8	7.984 ± .045	0.139 ± .004					8.222	8.000	8.250	8.028		
2-267	8-1/4	8-1/2	1/8	8.234 ± .050	0.139 ± .004					8.472	8.250	8.500	8.278		
2-268	8-1/2	8-3/4	1/8	8.484 ± .050	0.139 ± .004					8.722	8.500	8.750	8.528		

Size Chart					Installation Data -- Groove Dimensions										
UNIVERSAL SERIES AS568A Dash Nos.	NOMINAL SIZE			ACTUAL SIZE		Reciprocating Seals				Static Seals				Rotary Seals	
	I.D.	O.D.	W.	I.D.	WIDTH	I.D. Sealing		O.D. Sealing		I.D. Sealing		O.D. Sealing		I.D. Sealing	
						A	B	A	B	A	B	A	B	A	B
2-269	8-3/4	9	1/8	8.734 ± .050	0.139 ± .004					8.972	8.750	9.000	8.778		
2-270	9	9-1/4	1/8	8.984 ± .050	0.139 ± .004					9.222	9.000	9.250	9.028		
2-271	9-1/4	9-1/2	1/8	9.234 ± .055	0.139 ± .004					9.472	9.250	9.500	9.278		
2-272	9-1/2	9-3/4	1/8	9.484 ± .055	0.139 ± .004					9.722	9.500	9.750	9.528		
2-273	9-3/4	10	1/8	9.734 ± .055	0.139 ± .004					9.972	9.750	10.000	9.778		
2-274	10	10-1/4	1/8	9.984 ± .055	0.139 ± .004					10.222	10.000	10.250	10.028		
2-275	10-1/2	10-3/4	1/8	10.484 ± .055	0.139 ± .004					10.722	10.500	10.750	10.528		
2-276	11	11-1/4	1/8	10.984 ± .065	0.139 ± .004					11.222	11.000	11.250	11.028		
2-277	11-1/2	11-3/4	1/8	11.484 ± .065	0.139 ± .004					11.722	11.500	11.750	11.528		
2-278	12	12-1/4	1/8	11.984 ± .065	0.139 ± .004					12.222	12.000	12.250	12.028		
2-279	13	13-1/4	1/8	12.984 ± .065	0.139 ± .004					13.222	13.000	13.250	13.028		
2-280	14	14-1/4	1/8	13.984 ± .065	0.139 ± .004					14.222	14.000	14.250	14.028		
2-281	15	15-1/4	1/8	14.984 ± .065	0.139 ± .004					15.222	15.000	15.250	15.028		
2-282	16	16-1/4	1/8	15.955 ± .075	0.139 ± .004					16.222	16.000	16.250	16.028		
2-283	17	17-1/4	3/16	16.955 ± .080	0.139 ± .004					17.222	17.000	17.250	17.028		
2-284	18	18-1/4	3/16	17.955 ± .085	0.139 ± .004					18.222	18.000	18.250	18.028		
2-309	7/16	13/16	3/16	0.412 ± .005	0.210 ± .005	.800	.424	.812	.436	.773	.428	.774	.430		
2-310	1/2	7/8	3/16	0.475 ± .005	0.210 ± .005	.863	.487	.875	.499	.837	.493	.833	.495		
2-311	9/16	15/16	3/16	0.537 ± .007	0.210 ± .005	.925	.549	.937	.561	.900	.556	.901	.558		
2-312	5/8	1	3/16	0.600 ± .009	0.210 ± .005	.988	.612	1.000	.624	.966	.622	.969	.624		
2-313	11/16	1-1/16	3/16	0.662 ± .009	0.210 ± .005	1.050	.674	1.062	.686	1.029	.685	1.030	.687		
2-314	3/4	1-1/8	3/16	0.725 ± .010	0.210 ± .005	1.113	.737	1.125	.749	1.096	.751	1.097	.753		
2-315	13/16	1-3/16	3/16	0.787 ± .010	0.210 ± .005	1.177	.801	1.187	.811	1.158	.814	1.159	.816		
2-316	7/8	1-1/4	3/16	0.850 ± .010	0.210 ± .005	1.240	.864	1.250	.874	1.223	.878	1.224	.880		
2-317	15/16	1-5/16	3/16	0.912 ± .010	0.210 ± .005	1.302	.926	1.312	.936	1.285	.941	1.286	.943		
2-318	1	1-3/8	3/16	0.975 ± .010	0.210 ± .005	1.365	.989	1.375	.999	1.351	1.006	1.352	1.008		
2-319	1-1/16	1-7/16	3/16	1.307 ± .010	0.210 ± .005	1.427	1.054	1.437	1.061	1.414	1.069	1.415	1.071		
2-320	1-1/8	1-1/2	3/16	1.100 ± .012	0.210 ± .005	1.490	1.114	1.500	1.124	1.479	1.135	1.480	1.137		
2-321	1-3/16	1-9/16	3/16	1.162 ± .012	0.210 ± .005	1.552	1.176	1.562	1.186	1.543	1.198	1.544	1.200		
2-322	1-1/4	1-5/8	3/16	1.225 ± .012	0.210 ± .005	1.615	1.239	1.625	1.249	1.608	1.263	1.609	1.265		
2-323	1-5/16	1-11/16	3/16	1.287 ± .012	0.210 ± .005	1.677	1.301	1.687	1.311	1.670	1.326	1.671	1.328		
2-324	1-3/8	1-3/4	3/16	1.350 ± .012	0.210 ± .005	1.740	1.364	1.750	1.374	1.734	1.390	1.735	1.392		
2-325	1-1/2	1-7/8	3/16	1.475 ± .015	0.210 ± .005	1.868	1.498	1.875	1.505	1.840	1.500	1.875	1.535		
2-326	1-5/8	2	3/16	1.600 ± .015	0.210 ± .005	1.993	1.623	2.000	1.630	1.965	1.625	2.000	1.660		
2-327	1-3/4	2-1/8	3/16	1.725 ± .015	0.210 ± .005	2.118	1.748	2.125	1.755	2.090	1.750	2.125	1.785		
2-328	1-7/8	2-1/4	3/16	1.850 ± .015	0.210 ± .005	2.243	1.873	2.250	1.880	2.215	1.875	2.250	1.910		
2-329	2	2-3/8	3/16	1.975 ± .018	0.210 ± .005	2.368	1.998	2.375	2.005	2.340	2.000	2.375	2.035		
2-330	2-1/8	2-1/2	3/16	2.100 ± .018	0.210 ± .005	2.493	2.123	2.500	2.130	2.465	2.125	2.500	2.160		
2-331	2-1/4	2-5/8	3/16	2.225 ± .018	0.210 ± .005	2.618	2.248	2.625	2.255	2.590	2.250	2.625	2.285		
2-332	2-3/8	2-3/4	3/16	2.350 ± .020	0.210 ± .005	2.743	2.373	2.750	2.380	2.715	2.375	2.750	2.410		
2-333	2-1/2	2-7/8	3/16	2.475 ± .020	0.210 ± .005	2.868	2.498	2.875	2.505	2.840	2.500	2.875	2.535		
2-334	2-5/8	3	3/16	2.600 ± .020	0.210 ± .005	2.993	2.623	3.000	2.630	2.965	2.625	3.000	2.660		
2-335	2-3/4	3-1/8	3/16	2.725 ± .020	0.210 ± .005	3.118	2.748	3.125	2.755	3.090	2.750	3.125	2.785		
2-336	2-7/8	3-1/4	3/16	2.850 ± .020	0.210 ± .005	3.243	2.873	3.250	2.880	3.215	2.875	3.250	2.910		
2-337	3	3-3/8	3/16	2.975 ± .024	0.210 ± .005	3.368	2.998	3.375	3.005	3.340	3.000	3.375	3.035		
2-338	3-1/8	3-1/2	3/16	3.100 ± .024	0.210 ± .005	3.493	3.123	3.500	3.130	3.465	3.125	3.500	3.160		
2-339	3-1/4	3-5/8	3/16	3.225 ± .024	0.210 ± .005	3.618	3.248	3.625	3.255	3.590	3.250	3.625	3.285		
2-340	3-3/8	3-3/4	3/16	3.350 ± .024	0.210 ± .005	3.743	3.373	3.750	3.380	3.715	3.375	3.750	3.410		
2-341	3-1/2	3-7/8	3/16	3.475 ± .024	0.210 ± .005	3.868	3.498	3.875	3.505	3.840	3.500	3.875	3.535		
2-342	3-5/8	4	3/16	3.600 ± .028	0.210 ± .005	3.993	3.623	4.000	3.630	3.965	3.625	4.000	3.660		
2-343	3-3/4	4-1/8	3/16	3.725 ± .028	0.210 ± .005	4.118	3.748	4.125	3.755	4.090	3.750	4.125	3.785		
2-344	3-7/8	4-1/4	3/16	3.850 ± .028	0.210 ± .005	4.243	3.873	4.250	3.880	4.215	3.875	4.250	3.910		
2-345	4	4-3/8	3/16	3.975 ± .028	0.210 ± .005	4.368	3.998	4.375	4.005	4.340	4.000	4.375	4.035		

Size Chart						Installation Data -- Groove Dimensions									
UNIVERSAL SERIES AS568A	NOMINAL SIZE			ACTUAL SIZE		Reciprocating Seals				Static Seals				Rotary Seals	
						I.D. Sealing		O.D. Sealing		I.D. Sealing		O.D. Sealing		I.D. Sealing	
	Dash Nos.	I.D.	O.D.	W.	I.D.	WIDTH	A	B	A	B	A	B	A	B	A
2-346	4-1/8	4-1/2	3/16	4.100 ± .028	0.210 ± .005	4.493	4.123	4.500	4.130	4.465	4.125	4.500	4.160		
2-347	4-1/4	4-5/8	3/16	4.225 ± .030	0.210 ± .005	4.618	4.248	4.625	4.255	4.590	4.250	4.625	4.285		
2-348	4-3/8	4-3/4	3/16	4.350 ± .030	0.210 ± .005	4.743	4.373	4.750	4.380	4.715	4.375	4.750	4.410		
2-349	4-1/2	4-7/8	3/16	4.475 ± .030	0.210 ± .005	4.868	4.498	4.875	4.505	4.840	4.500	4.875	4.535		
2-350	4-5/8	5	3/16	4.600 ± .030	0.210 ± .005					4.965	4.625	5.000	4.660		
2-351	4-3/4	5-1/8	3/16	4.725 ± .030	0.210 ± .005					5.090	4.750	5.125	4.785		
2-352	4-7/8	5-1/4	3/16	4.850 ± .030	0.210 ± .005					5.215	4.875	5.250	4.910		
2-353	5	5-3/8	3/16	4.975 ± .037	0.210 ± .005					5.340	5.000	5.375	5.035		
2-354	5-1/8	5-1/2	3/16	5.100 ± .037	0.210 ± .005					5.465	5.125	5.500	5.160		
2-355	5-1/4	5-5/8	3/16	5.225 ± .037	0.210 ± .005					5.590	5.250	5.625	5.285		
2-356	5-3/8	5-3/4	3/16	5.350 ± .037	0.210 ± .005					5.715	5.375	5.750	5.410		
2-357	5-1/2	5-7/8	3/16	5.475 ± .037	0.210 ± .005					5.840	5.500	5.875	5.535		
2-358	5-5/8	6	3/16	5.600 ± .037	0.210 ± .005					5.965	5.625	6.000	5.660		
2-359	5-3/4	6-1/8	3/16	5.725 ± .037	0.210 ± .005					6.090	5.750	6.125	5.785		
2-360	5-7/8	6-1/4	3/16	5.850 ± .037	0.210 ± .005					6.215	5.875	6.250	5.910		
2-361	6	6-3/8	3/16	5.975 ± .037	0.210 ± .005					6.340	6.000	6.375	6.035		
2-362	6-1/4	6-5/8	3/16	6.225 ± .040	0.210 ± .005					6.590	6.250	6.625	6.285		
2-363	6-1/2	6-7/8	3/16	6.475 ± .040	0.210 ± .005					6.840	6.500	6.875	6.535		
2-364	6-3/4	7-1/8	3/16	6.725 ± .040	0.210 ± .005					7.090	6.750	7.125	6.785		
2-365	7	7-3/8	3/16	6.975 ± .040	0.210 ± .005					7.340	7.000	7.375	7.035		
2-366	7-1/4	7-5/8	3/16	7.225 ± .045	0.210 ± .005					7.590	7.250	7.625	7.285		
2-367	7-1/2	7-7/8	3/16	7.475 ± .045	0.210 ± .005					7.840	7.500	7.875	7.535		
2-368	7-3/4	8-1/8	3/16	7.725 ± .045	0.210 ± .005					8.090	7.750	8.125	7.785		
2-369	8	8-3/8	3/16	7.975 ± .045	0.210 ± .005					8.340	8.000	8.375	8.035		
2-370	8-1/4	8-5/8	3/16	8.225 ± .050	0.210 ± .005					8.590	8.250	8.625	8.285		
2-371	8-1/2	8-7/8	3/16	8.475 ± .050	0.210 ± .005					8.840	8.500	8.875	8.535		
2-372	8-3/4	9-1/8	3/16	8.725 ± .050	0.210 ± .005					9.090	8.750	9.125	8.785		
2-373	9	9-3/8	3/16	8.975 ± .050	0.210 ± .005					9.340	9.000	9.375	9.035		
2-374	9-1/4	9-5/8	3/16	9.225 ± .050	0.210 ± .005					9.590	9.250	9.625	9.285		
2-375	9-1/2	9-7/8	3/16	9.475 ± .050	0.210 ± .005					9.840	9.500	9.875	9.535		
2-376	9-3/4	10-1/8	3/16	9.725 ± .050	0.210 ± .005					10.090	9.750	10.125	9.785		
2-377	10	10-3/8	3/16	9.975 ± .050	0.210 ± .005					10.340	10.000	10.375	10.035		
2-378	10-1/2	10-7/8	3/16	10.475 ± .060	0.210 ± .005					10.840	10.500	10.875	10.535		
2-379	11	11-3/8	3/16	10.975 ± .060	0.210 ± .005					11.340	11.000	11.375	11.035		
2-380	11-1/2	11-7/8	3/16	11.475 ± .065	0.210 ± .005					11.840	11.500	11.875	11.535		
2-381	12	12-3/8	3/16	11.975 ± .065	0.210 ± .005					12.340	12.000	12.375	12.035		
2-382	13	13-3/8	3/16	12.975 ± .065	0.210 ± .005					13.340	13.000	13.375	13.035		
2-383	14	14-3/8	3/16	13.975 ± .070	0.210 ± .005					14.340	14.000	14.375	14.035		
2-384	15	15-3/8	3/16	14.975 ± .070	0.210 ± .005					15.340	15.000	15.375	15.035		
2-385	16	16-3/8	3/16	15.955 ± .075	0.210 ± .005					16.340	16.000	16.375	16.035		
2-386	17	17-3/8	3/16	16.955 ± .080	0.210 ± .005					17.340	17.000	17.375	17.035		
2-387	18	18-3/8	3/16	17.955 ± .085	0.210 ± .005					18.340	18.000	18.375	18.035		
2-388	19	19-3/8	3/16	18.955 ± .090	0.210 ± .005					19.340	19.000	19.375	19.035		
2-389	20	20-3/8	3/16	19.955 ± .095	0.210 ± .005					20.340	20.000	20.375	20.035		
2-390	21	21-3/8	3/16	20.955 ± .095	0.210 ± .005					21.340	21.000	21.375	21.035		
2-391	22	22-3/8	3/16	21.955 ± .100	0.210 ± .005					22.340	22.000	22.375	22.035		
2-392	23	23-3/8	3/16	22.940 ± .105	0.210 ± .005					23.340	23.000	23.375	23.035		
2-393	24	24-3/8	3/16	23.940 ± .110	0.210 ± .005					24.340	24.000	24.375	24.035		
2-394	25	25-3/8	3/16	24.940 ± .115	0.210 ± .005					25.340	25.000	25.375	25.035		
2-395	26	26-3/8	3/16	25.940 ± .120	0.210 ± .005					26.340	26.000	26.375	26.035		
2-425	4-1/2	5	1/4	4.475 ± .033	0.275 ± .006	4.971	4.497	5.002	4.528	4.952	4.500	5.000	4.548		
2-426	4-5/8	5-1/8	1/4	4.600 ± .033	0.275 ± .006	5.096	4.622	5.127	4.653	5.077	4.625	5.125	4.673		
2-427	4-3/4	5-1/4	1/4	4.725 ± .033	0.275 ± .006	5.221	4.747	5.252	4.778	5.202	4.750	5.250	4.798		

Size Chart						Installation Data -- Groove Dimensions									
UNIVERSAL SERIES AS568A	NOMINAL SIZE			ACTUAL SIZE		Reciprocating Seals				Static Seals				Rotary Seals	
						I.D. Sealing		O.D. Sealing		I.D. Sealing		O.D. Sealing		I.D. Sealing	
	Dash Nos.	I.D.	O.D.	W.	I.D.	WIDTH	A	B	A	B	A	B	A	B	A
2-428	4-7/8	5-3/8	1/4	4.850 ± .033	0.275 ± .006	5.346	4.872	5.377	4.903	5.327	4.875	5.373	4.923		
2-429	5	5-1/2	1/4	4.975 ± .037	0.275 ± .006	5.471	4.997	5.502	5.028	5.452	5.000	5.500	5.048		
2-430	5-1/8	5-5/8	1/4	5.100 ± .037	0.275 ± .006	5.596	5.122	5.627	5.153	5.577	5.125	5.625	5.173		
2-431	5-1/4	5-3/4	1/4	5.225 ± .037	0.275 ± .006	5.721	5.247	5.752	5.278	5.702	5.250	5.750	5.298		
2-432	5-3/8	5-7/8	1/4	5.350 ± .037	0.275 ± .006	5.846	5.372	5.877	5.403	5.827	5.375	5.875	5.423		
2-433	5-1/2	6	1/4	5.475 ± .037	0.275 ± .006	5.971	5.497	6.002	5.528	5.952	5.500	6.000	5.548		
2-434	5-5/8	6-1/8	1/4	5.600 ± .037	0.275 ± .006	6.096	5.622	6.127	5.653	6.077	5.625	6.125	5.673		
2-435	5-3/4	6-1/4	1/4	5.725 ± .037	0.275 ± .006	6.221	5.747	6.252	5.778	6.202	5.750	6.250	5.798		
2-436	5-7/8	6-3/8	1/4	5.850 ± .037	0.275 ± .006	6.346	5.872	6.377	5.903	6.327	5.875	6.375	5.923		
2-437	6	6-1/2	1/4	5.975 ± .037	0.275 ± .006	6.471	5.997	6.502	6.028	6.452	6.000	6.500	6.048		
2-438	6-1/4	6-3/4	1/4	6.225 ± .040	0.275 ± .006	6.721	6.247	6.752	6.278	6.702	6.250	6.750	6.298		
2-439	6-1/2	7	1/4	6.475 ± .040	0.275 ± .006	6.971	6.497	7.002	6.528	6.952	6.500	7.000	6.548		
2-440	6-3/4	7-1/4	1/4	6.725 ± .040	0.275 ± .006	7.221	6.747	7.252	6.778	7.202	6.750	7.250	6.798		
2-441	7	7-1/2	1/4	6.975 ± .040	0.275 ± .006	7.471	6.997	7.502	7.028	7.452	7.000	7.500	7.048		
2-442	7-1/4	7-3/4	1/4	7.225 ± .045	0.275 ± .006	7.721	7.247	7.752	7.278	7.702	7.250	7.750	7.298		
2-443	7-1/2	8	1/4	7.475 ± .045	0.275 ± .006	7.971	7.497	8.002	7.528	7.952	7.500	8.000	7.548		
2-444	7-3/4	8-1/4	1/4	7.725 ± .045	0.275 ± .006	8.221	7.747	8.252	7.778	8.202	7.750	8.250	7.798		
2-445	8	8-1/2	1/4	7.975 ± .045	0.275 ± .006	8.471	7.997	8.502	8.028	8.452	8.000	8.500	8.048		
2-446	8-1/2	9	1/4	8.475 ± .055	0.275 ± .006	8.971	8.497	9.002	8.528	8.952	8.500	9.000	8.548		
2-447	9	9-1/2	1/4	8.975 ± .055	0.275 ± .006	9.471	8.997	9.502	9.028	9.452	9.000	9.500	9.048		
2-448	9-1/2	10	1/4	9.475 ± .055	0.275 ± .006	9.971	9.497	10.002	9.528	9.952	9.500	10.000	9.548		
2-449	10	10-1/2	1/4	9.975 ± .055	0.275 ± .006	10.471	9.997	10.502	10.028	10.452	10.000	10.500	10.048		
2-450	10-1/2	11	1/4	10.475 ± .060	0.275 ± .006	10.971	10.497	11.002	10.528	10.952	10.500	11.000	10.548		
2-451	11	11-1/2	1/4	10.975 ± .060	0.275 ± .006	11.471	10.997	11.502	11.028	11.452	11.000	11.500	11.048		
2-452	11-1/2	12	1/4	11.475 ± .060	0.275 ± .006	11.971	11.497	12.002	11.528	11.952	11.500	12.000	11.548		
2-453	12	12-1/2	1/4	11.975 ± .060	0.275 ± .006	12.471	11.997	12.502	12.028	12.452	12.000	12.500	12.048		
2-454	12-1/2	13	1/4	12.475 ± .060	0.275 ± .006	12.971	12.497	13.002	12.528	12.952	12.500	13.000	12.548		
2-455	13	13-1/2	1/4	12.975 ± .060	0.275 ± .006	13.471	12.997	13.502	13.028	13.452	13.000	13.500	13.048		
2-456	13-1/2	14	1/4	13.475 ± .070	0.275 ± .006	13.971	13.497	14.002	13.528	13.952	13.500	14.000	13.548		
2-457	14	14-1/2	1/4	13.975 ± .070	0.275 ± .006	14.471	13.997	14.502	14.028	14.452	14.000	14.500	14.048		
2-458	14-1/2	15	1/4	14.475 ± .070	0.275 ± .006	14.971	14.497	15.002	14.528	14.952	14.500	15.000	14.548		
2-459	15	15-1/2	1/4	14.975 ± .070	0.275 ± .006	15.471	14.997	15.502	15.028	15.452	15.000	15.500	15.048		
2-460	15-1/2	16	1/4	15.475 ± .070	0.275 ± .006	15.971	15.497	16.000	15.528	15.952	15.500	16.000	15.548		
2-461	16	16-1/2	1/4	15.955 ± .075	0.275 ± .006					16.452	16.000	16.500	16.048		
2-462	16-1/2	17	1/4	16.455 ± .075	0.275 ± .006					16.952	16.500	17.000	16.548		
2-463	17	17-1/2	1/4	16.955 ± .085	0.275 ± .006					17.452	17.000	17.500	17.048		
2-464	17-1/2	18	1/4	17.455 ± .085	0.275 ± .006					17.952	17.500	18.000	17.548		
2-465	18	18-1/2	1/4	17.955 ± .085	0.275 ± .006					18.452	18.000	18.500	18.048		
2-466	18-1/2	19	1/4	18.455 ± .090	0.275 ± .006					18.952	18.500	19.000	18.548		
2-467	19	19-1/2	1/4	18.955 ± .090	0.275 ± .006					19.452	19.000	19.500	19.048		
2-468	19-1/2	20	1/4	19.455 ± .090	0.275 ± .006					19.952	19.500	20.000	19.548		
2-469	20	20-1/2	1/4	19.955 ± .095	0.275 ± .006					20.452	20.000	20.500	20.048		
2-470	21	21-1/2	1/4	20.955 ± .095	0.275 ± .006					21.452	21.000	21.500	21.048		
2-471	22	22-1/2	1/4	21.955 ± .100	0.275 ± .006					22.452	22.000	22.500	22.048		
2-472	23	23-1/2	1/4	22.940 ± .105	0.275 ± .006					23.452	23.000	23.500	23.048		
2-473	24	24-1/2	1/4	23.940 ± .110	0.275 ± .006					24.452	24.000	24.500	24.048		
2-474	25	25-1/2	1/4	24.940 ± .115	0.275 ± .006					25.452	25.000	25.500	25.048		
2-475	26	26-1/2	1/4	25.940 ± .120	0.275 ± .006					26.452	26.000	26.500	26.048		

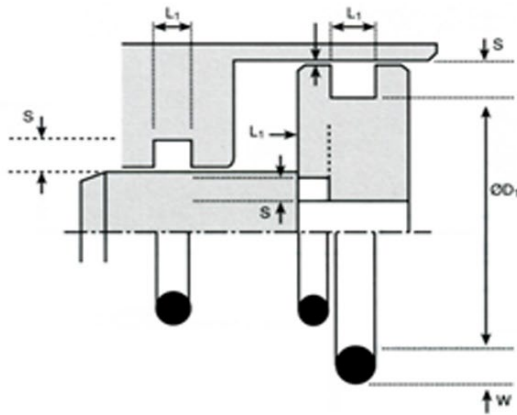
SIZE CHART			
UNIVERSAL SERIES	NOMINAL SIZE	ACTUAL SIZE	ACTUAL SIZE
DASH NOS.	I.D.	I.D.	WIDTH
3-901	3/32	0.185 ± .005	0.056 ± .003
3-902	1/8	0.239 ± .005	0.064 ± .003
3-903	3/16	0.301 ± .005	0.064 ± .003
3-904	1/4	0.351 ± .005	0.072 ± .003
3-905	5/16	0.414 ± .005	0.072 ± .003
3-906	3/8	0.468 ± .005	0.078 ± .003
3-907	7/16	0.530 ± .007	0.082 ± .003
3-908	1/2	0.644 ± .009	0.087 ± .003
3-909	9/16	0.706 ± .009	0.097 ± .003
3-910	5/8	0.755 ± .009	0.097 ± .004
3-911	11/16	0.863 ± .009	0.116 ± .004
3-912	3/4	0.924 ± .009	0.116 ± .004
3-913	13/16	0.986 ± .010	0.116 ± .004
3-914	7/8	1.047 ± .010	0.116 ± .004
3-916	1	1.171 ± .006	0.116 ± .003
3-918	1-1/8	1.355 ± .012	0.116 ± .004
3-920	1-1/4	1.475 ± .014	0.118 ± .004
3-924	1-1/2	1.720 ± .014	0.118 ± .004
3-928	1-3/4	2.090 ± .018	0.118 ± .004
3-932	2	2.337 ± .018	0.118 ± .004

GROOVE WIDTH DIMENSIONS								
AS568A DASH NOS.	A TOLERANCE	B TOLERANCE	D Dia. Clearance Reciprocating / Static	D Dia. Clearance Rotary	G +0.010/-0.000 No. Back-Up	G +0.010/-0.000 1 Back-Up	G +0.010/-0.000 2 Back-Up	R Radius
004-012	+0.001/-0.000	+0.000/-0.001	+0.002/-0.004	+0.012/-0.016	.094	.149	.207	+0.005/-0.015
013-050	+0.002/-0.000	+0.000/-0.001	+0.002/-0.005	+0.012/-0.016	.094	.149	.207	+0.005/-0.015
102-129	+0.002/-0.000	+0.000/-0.002	+0.002/-0.005	+0.012/-0.016	.141	.183	.245	+0.005/-0.015
130-178	+0.002/-0.000	+0.000/-0.002	+0.002/-0.006	+0.012/-0.016	.141	.183	.245	+0.005/-0.015
201-284	+0.002/-0.000	+0.000/-0.002	+0.002/-0.006	+0.016/-0.020	.188	.225	.304	+0.010/-0.025
309-395	+0.002/-0.000	+0.000/-0.002	+0.003/-0.007	+0.016/-0.020	.281	.334	.424	+0.020/-0.030
425-475	+0.003/-0.000	+0.000/-0.003	+0.004/-0.010	+0.016/-0.020	.375	.440	.579	+0.020/-0.030

O-RINGS

BUNA 70

DUROMETER



BUNA 70 DUROMETER O-RINGS

ITEM DESCRIPTION	I.D. X C.S.	UNIT OF MEASURE	LIST PRICE
001 - BUNA-N 70-DUROMETER O-RING	.031 X .031	50 PER PACKAGE	\$7.50
002 - BUNA-N 70-DUROMETER O-RING	.046 X .046	50 PER PACKAGE	\$7.50
003 - BUNA-N 70-DUROMETER O-RING	.062 X .062	50 PER PACKAGE	\$7.50
004 - BUNA-N 70-DUROMETER O-RING	.078 X .062	50 PER PACKAGE	\$7.50
005 - BUNA-N 70-DUROMETER O-RING	.093 X .062	50 PER PACKAGE	\$7.50
006 - BUNA-N 70-DUROMETER O-RING	.125 X .062	70 PER PACKAGE	\$7.50
007 - BUNA-N 70-DUROMETER O-RING	.156 X .062	70 PER PACKAGE	\$7.50
008 - BUNA-N 70-DUROMETER O-RING	.187 X .062	70 PER PACKAGE	\$7.50
009 - BUNA-N 70-DUROMETER O-RING	.218 X .062	70 PER PACKAGE	\$7.50
010 - BUNA-N 70-DUROMETER O-RING	.250 X .062	70 PER PACKAGE	\$7.50
011 - BUNA-N 70-DUROMETER O-RING	.312 X .062	70 PER PACKAGE	\$7.50
012 - BUNA-N 70-DUROMETER O-RING	.375 X .062	70 PER PACKAGE	\$7.50
013 - BUNA-N 70-DUROMETER O-RING	.437 X .062	70 PER PACKAGE	\$7.50
014 - BUNA-N 70-DUROMETER O-RING	.500 X .062	70 PER PACKAGE	\$7.50
015 - BUNA-N 70-DUROMETER O-RING	.562 X .062	70 PER PACKAGE	\$7.50
016 - BUNA-N 70-DUROMETER O-RING	.625 X .062	70 PER PACKAGE	\$7.50
017 - BUNA-N 70-DUROMETER O-RING	.687 X .062	70 PER PACKAGE	\$7.50
018 - BUNA-N 70-DUROMETER O-RING	.750 X .062	70 PER PACKAGE	\$7.50
019 - BUNA-N 70-DUROMETER O-RING	.812 X .062	70 PER PACKAGE	\$7.50
020 - BUNA-N 70-DUROMETER O-RING	.875 X .062	50 PER PACKAGE	\$5.00
021 - BUNA-N 70-DUROMETER O-RING	.937 X .062	50 PER PACKAGE	\$7.50
022 - BUNA-N 70-DUROMETER O-RING	1.000 X .062	40 PER PACKAGE	\$7.50
023 - BUNA-N 70-DUROMETER O-RING	1.062 X .062	40 PER PACKAGE	\$7.50
024 - BUNA-N 70-DUROMETER O-RING	1.125 X .062	40 PER PACKAGE	\$7.50
025 - BUNA-N 70-DUROMETER O-RING	1.187 X .062	40 PER PACKAGE	\$7.50
026 - BUNA-N 70-DUROMETER O-RING	1.250 X .062	40 PER PACKAGE	\$7.50
027 - BUNA-N 70-DUROMETER O-RING	1.312 X .062	40 PER PACKAGE	\$7.50
028 - BUNA-N 70-DUROMETER O-RING	1.375 X .062	30 PER PACKAGE	\$7.50
029 - BUNA-N 70-DUROMETER O-RING	1.500 X .062	30 PER PACKAGE	\$7.50
030 - BUNA-N 70-DUROMETER O-RING	1.625 X .062	30 PER PACKAGE	\$7.50
031 - BUNA-N 70-DUROMETER O-RING	1.750 X .062	20 PER PACKAGE	\$7.50

BUNA 70 DUROMETER O-RINGS

ITEM DESCRIPTION	I.D. X C.S.	UNIT OF MEASURE	LIST PRICE
032 - BUNA-N 70-DUROMETER O-RING	1.875 X .062	20 PER PACKAGE	\$7.50
033 - BUNA-N 70-DUROMETER O-RING	2.000 X .062	20 PER PACKAGE	\$7.50
034 - BUNA-N 70-DUROMETER O-RING	2.125 X .062	20 PER PACKAGE	\$7.50
035 - BUNA-N 70-DUROMETER O-RING	2.250 X .062	20 PER PACKAGE	\$7.50
036 - BUNA-N 70-DUROMETER O-RING	2.375 X .062	20 PER PACKAGE	\$7.50
037 - BUNA-N 70-DUROMETER O-RING	2.500 X .062	20 PER PACKAGE	\$7.50
038 - BUNA-N 70-DUROMETER O-RING	2.625 X .062	15 PER PACKAGE	\$7.50
039 - BUNA-N 70-DUROMETER O-RING	2.750 X .062	15 PER PACKAGE	\$7.50
040 - BUNA-N 70-DUROMETER O-RING	2.875 X .062	12 PER PACKAGE	\$7.50
041 - BUNA-N 70-DUROMETER O-RING	3.000 X .062	12 PER PACKAGE	\$7.50
042 - BUNA-N 70-DUROMETER O-RING	3.250 X .062	12 PER PACKAGE	\$7.50
043 - BUNA-N 70-DUROMETER O-RING	3.500 X .062	12 PER PACKAGE	\$7.50
044 - BUNA-N 70-DUROMETER O-RING	3.750 X .062	10 PER PACKAGE	\$7.50
045 - BUNA-N 70-DUROMETER O-RING	4.000 X .062	10 PER PACKAGE	\$7.50
046 - BUNA-N 70-DUROMETER O-RING	4.250 X .062	7 PER PACKAGE	\$7.50
047 - BUNA-N 70-DUROMETER O-RING	4.500 X .062	7 PER PACKAGE	\$7.50
048 - BUNA-N 70-DUROMETER O-RING	4.750 X .062	6 PER PACKAGE	\$7.50
049 - BUNA-N 70-DUROMETER O-RING	5.000 X .062	6 PER PACKAGE	\$7.50
050 - BUNA-N 70-DUROMETER O-RING	5.250 X .062	6 PER PACKAGE	\$7.50
102 - BUNA-N 70-DUROMETER O-RING	.064 X .093	50 PER PACKAGE	\$7.50
103 - BUNA-N 70-DUROMETER O-RING	.093 X .093	50 PER PACKAGE	\$7.50
104 - BUNA-N 70-DUROMETER O-RING	.125 X .093	50 PER PACKAGE	\$7.50
105 - BUNA-N 70-DUROMETER O-RING	.156 X .093	50 PER PACKAGE	\$7.50
106 - BUNA-N 70-DUROMETER O-RING	.187 X .093	50 PER PACKAGE	\$7.50
107 - BUNA-N 70-DUROMETER O-RING	.218 X .093	50 PER PACKAGE	\$7.50
108 - BUNA-N 70-DUROMETER O-RING	.250 X .093	50 PER PACKAGE	\$7.50
109 - BUNA-N 70-DUROMETER O-RING	.312 X .093	50 PER PACKAGE	\$7.50
110 - BUNA-N 70-DUROMETER O-RING	.375 X .093	50 PER PACKAGE	\$7.50
111 - BUNA-N 70-DUROMETER O-RING	.437 X .093	50 PER PACKAGE	\$7.50
112 - BUNA-N 70-DUROMETER O-RING	.500 X .093	50 PER PACKAGE	\$7.50
113 - BUNA-N 70-DUROMETER O-RING	.562 X .093	50 PER PACKAGE	\$7.50
114 - BUNA-N 70-DUROMETER O-RING	.625 X .093	50 PER PACKAGE	\$7.50
115 - BUNA-N 70-DUROMETER O-RING	.687 X .093	50 PER PACKAGE	\$7.50
116 - BUNA-N 70-DUROMETER O-RING	.750 X .093	50 PER PACKAGE	\$7.50
117 - BUNA-N 70-DUROMETER O-RING	.812 X .093	45 PER PACKAGE	\$7.50
118 - BUNA-N 70-DUROMETER O-RING	.875 X .093	45 PER PACKAGE	\$7.50
119 - BUNA-N 70-DUROMETER O-RING	.937 X .093	45 PER PACKAGE	\$7.50
120 - BUNA-N 70-DUROMETER O-RING	1.000 X .093	35 PER PACKAGE	\$7.50
121 - BUNA-N 70-DUROMETER O-RING	1.062 X .093	35 PER PACKAGE	\$7.50
122 - BUNA-N 70-DUROMETER O-RING	1.125 X .093	30 PER PACKAGE	\$7.50
123 - BUNA-N 70-DUROMETER O-RING	1.187 X .093	30 PER PACKAGE	\$7.50
124 - BUNA-N 70-DUROMETER O-RING	1.250 X .093	30 PER PACKAGE	\$7.50
125 - BUNA-N 70-DUROMETER O-RING	1.312 X .093	25 PER PACKAGE	\$7.50

BUNA 70 DUROMETER O-RINGS

ITEM DESCRIPTION	I.D. X C.S.	UNIT OF MEASURE	LIST PRICE
126 - BUNA-N 70-DUROMETER O-RING	1.375 X .093	25 PER PACKAGE	\$7.50
127 - BUNA-N 70-DUROMETER O-RING	1.437 X .093	25 PER PACKAGE	\$7.50
128 - BUNA-N 70-DUROMETER O-RING	1.500 X .093	25 PER PACKAGE	\$7.50
129 - BUNA-N 70-DUROMETER O-RING	1.562 X .093	25 PER PACKAGE	\$7.50
130 - BUNA-N 70-DUROMETER O-RING	1.625 X .093	25 PER PACKAGE	\$7.50
131 - BUNA-N 70-DUROMETER O-RING	1.687 X .093	22 PER PACKAGE	\$7.50
132 - BUNA-N 70-DUROMETER O-RING	1.750 X .093	22 PER PACKAGE	\$7.50
133 - BUNA-N 70-DUROMETER O-RING	1.812 X .093	22 PER PACKAGE	\$7.50
134 - BUNA-N 70-DUROMETER O-RING	1.875 X .093	22 PER PACKAGE	\$7.50
135 - BUNA-N 70-DUROMETER O-RING	1.937 X .093	22 PER PACKAGE	\$7.50
136 - BUNA-N 70-DUROMETER O-RING	2.000 X .093	22 PER PACKAGE	\$7.50
137 - BUNA-N 70-DUROMETER O-RING	2.062 X .093	20 PER PACKAGE	\$7.50
138 - BUNA-N 70-DUROMETER O-RING	2.125 X .093	20 PER PACKAGE	\$7.50
139 - BUNA-N 70-DUROMETER O-RING	2.187 X .093	15 PER PACKAGE	\$7.50
140 - BUNA-N 70-DUROMETER O-RING	2.250 X .093	15 PER PACKAGE	\$7.50
141 - BUNA-N 70-DUROMETER O-RING	2.312 X .093	15 PER PACKAGE	\$7.50
142 - BUNA-N 70-DUROMETER O-RING	2.375 X .093	15 PER PACKAGE	\$7.50
143 - BUNA-N 70-DUROMETER O-RING	2.437 X .093	15 PER PACKAGE	\$7.50
144 - BUNA-N 70-DUROMETER O-RING	2.500 X .093	15 PER PACKAGE	\$7.50
145 - BUNA-N 70-DUROMETER O-RING	2.562 X .093	15 PER PACKAGE	\$7.50
146 - BUNA-N 70-DUROMETER O-RING	2.625 X .093	15 PER PACKAGE	\$7.50
147 - BUNA-N 70-DUROMETER O-RING	2.687 X .093	15 PER PACKAGE	\$7.50
148 - BUNA-N 70-DUROMETER O-RING	2.750 X .093	11 PER PACKAGE	\$7.50
149 - BUNA-N 70 DUROMETER O-RING	2.812 X .093	11 PER PACKAGE	\$7.50
150 - BUNA-N 70 DUROMETER O-RING	2.875 X .093	11 PER PACKAGE	\$7.50
151 - BUNA-N 70 DUROMETER O-RING	3.000 X .093	11 PER PACKAGE	\$7.50
152 - BUNA-N 70 DUROMETER O-RING	3.250 X .093	11 PER PACKAGE	\$7.50
153 - BUNA-N 70 DUROMETER O-RING	3.500 X .093	11 PER PACKAGE	\$7.50
154 - BUNA-N 70 DUROMETER O-RING	3.750 X .093	11 PER PACKAGE	\$7.50
155 - BUNA-N 70 DUROMETER O-RING	4.000 X .093	8 PER PACKAGE	\$7.50
156 - BUNA-N 70 DUROMETER O-RING	4.250 X .093	8 PER PACKAGE	\$7.50
157 - BUNA-N 70 DUROMETER O-RING	4.500 X .093	6 PER PACKAGE	\$7.50
158 - BUNA-N 70 DUROMETER O-RING	4.750 X .093	6 PER PACKAGE	\$7.50
159 - BUNA-N 70 DUROMETER O-RING	5.000 X .093	5 PER PACKAGE	\$7.50
160 - BUNA-N 70 DUROMETER O-RING	5.250 X .093	5 PER PACKAGE	\$7.50
161 - BUNA-N 70 DUROMETER O-RING	5.500 X .093	3 PER PACKAGE	\$7.50
162 - BUNA-N 70 DUROMETER O-RING	5.750 X .093	3 PER PACKAGE	\$7.50
163 - BUNA-N 70 DUROMETER O-RING	6.000 X .093	3 PER PACKAGE	\$7.50
164 - BUNA-N 70 DUROMETER O-RING	6.250 X .093	3 PER PACKAGE	\$7.50
165 - BUNA-N 70 DUROMETER O-RING	6.500 X .093	3 PER PACKAGE	\$7.50
166 - BUNA-N 70 DUROMETER O-RING	6.750 X .093	3 PER PACKAGE	\$7.50
167 - BUNA-N 70 DUROMETER O-RING	7.000 X .093	2 PER PACKAGE	\$7.50
168 - BUNA-N 70 DUROMETER O-RING	7.250 X .093	2 PER PACKAGE	\$7.50

BUNA 70 DUROMETER O-RINGS

ITEM DESCRIPTION	I.D. X C.S.	UNIT OF MEASURE	LIST PRICE
169 - BUNA-N 70 DUROMETER O-RING	7.500 X .093	2 PER PACKAGE	\$7.50
170 - BUNA-N 70 DUROMETER O-RING	7.750 X .093	2 PER PACKAGE	\$7.50
171 - BUNA-N 70 DUROMETER O-RING	8.000 X .093	2 PER PACKAGE	\$7.50
172 - BUNA-N 70 DUROMETER O-RING	8.250 X .093	2 PER PACKAGE	\$7.50
173 - BUNA-N 70 DUROMETER O-RING	8.500 X .093	2 PER PACKAGE	\$7.50
174 - BUNA-N 70 DUROMETER O-RING	8.750 X .093	2 PER PACKAGE	\$7.50
175 - BUNA-N 70 DUROMETER O-RING	9.000 X .093	2 PER PACKAGE	\$7.50
176 - BUNA-N 70 DUROMETER O-RING	9.250 X .093	2 PER PACKAGE	\$7.50
177 - BUNA-N 70 DUROMETER O-RING	9.500 X .093	2 PER PACKAGE	\$7.50
178 - BUNA-N 70 DUROMETER O-RING	9.750 X .093	2 PER PACKAGE	\$7.50
201 - BUNA-N 70 DUROMETER O-RING	.187 X .125	50 PER PACKAGE	\$7.50
202 - BUNA-N 70 DUROMETER O-RING	.250 X .125	50 PER PACKAGE	\$7.50
203 - BUNA-N 70 DUROMETER O-RING	.312 X .125	50 PER PACKAGE	\$7.50
204 - BUNA-N 70 DUROMETER O-RING	.375 X .125	50 PER PACKAGE	\$7.50
205 - BUNA-N 70 DUROMETER O-RING	.437 X .125	50 PER PACKAGE	\$7.50
206 - BUNA-N 70 DUROMETER O-RING	.500 X .125	50 PER PACKAGE	\$7.50
207 - BUNA-N 70 DUROMETER O-RING	.562 X .125	50 PER PACKAGE	\$7.50
208 - BUNA-N 70 DUROMETER O-RING	.625 X .125	40 PER PACKAGE	\$7.50
209 - BUNA-N 70 DUROMETER O-RING	.687 X .125	40 PER PACKAGE	\$7.50
210 - BUNA-N 70 DUROMETER O-RING	.750 X .125	35 PER PACKAGE	\$7.50
211 - BUNA-N 70 DUROMETER O-RING	.812 X .125	35 PER PACKAGE	\$7.50
212 - BUNA-N 70 DUROMETER O-RING	.875 X .125	35 PER PACKAGE	\$7.50
213 - BUNA-N 70 DUROMETER O-RING	.937 X .125	35 PER PACKAGE	\$7.50
214 - BUNA-N 70 DUROMETER O-RING	1.000 X .125	35 PER PACKAGE	\$7.50
215 - BUNA-N 70 DUROMETER O-RING	1.062 X .125	35 PER PACKAGE	\$7.50
216 - BUNA-N 70 DUROMETER O-RING	1.125 X .125	35 PER PACKAGE	\$7.50
217 - BUNA-N 70 DUROMETER O-RING	1.187 X .125	35 PER PACKAGE	\$7.50
218 - BUNA-N 70 DUROMETER O-RING	1.250 X .125	25 PER PACKAGE	\$7.50
219 - BUNA-N 70 DUROMETER O-RING	1.312 X .125	25 PER PACKAGE	\$7.50
220 - BUNA-N 70 DUROMETER O-RING	1.375 X .125	25 PER PACKAGE	\$7.50
221 - BUNA-N 70 DUROMETER O-RING	1.437 X .125	20 PER PACKAGE	\$7.50
222 - BUNA-N 70 DUROMETER O-RING	1.500 X .125	20 PER PACKAGE	\$7.50
223 - BUNA-N 70 DUROMETER O-RING	1.625 X .125	20 PER PACKAGE	\$7.50
224 - BUNA-N 70 DUROMETER O-RING	1.750 X .125	20 PER PACKAGE	\$7.50
225 - BUNA-N 70 DUROMETER O-RING	1.875 X .125	20 PER PACKAGE	\$7.50
226 - BUNA-N 70 DUROMETER O-RING	2.000 X .125	20 PER PACKAGE	\$7.50
227 - BUNA-N 70 DUROMETER O-RING	2.125 X .125	20 PER PACKAGE	\$7.50
228 - BUNA-N 70 DUROMETER O-RING	2.250 X .125	18 PER PACKAGE	\$7.50
229 - BUNA-N 70 DUROMETER O-RING	2.375 X .125	18 PER PACKAGE	\$7.50
230 - BUNA-N 70 DUROMETER O-RING	2.500 X .125	14 PER PACKAGE	\$7.50
231 - BUNA-N 70 DUROMETER O-RING	2.625 X .125	14 PER PACKAGE	\$7.50
232 - BUNA-N 70 DUROMETER O-RING	2.750 X .125	14 PER PACKAGE	\$7.50
233 - BUNA-N 70 DUROMETER O-RING	2.875 X .125	12 PER PACKAGE	\$7.50

BUNA 70 DUROMETER O-RINGS

ITEM DESCRIPTION	I.D. X C.S.	UNIT OF MEASURE	LIST PRICE
234 - BUNA-N 70 DUROMETER O-RING	3.000 X .125	12 PER PACKAGE	\$7.50
235 - BUNA-N 70 DUROMETER O-RING	3.125 X .125	12 PER PACKAGE	\$7.50
236 - BUNA-N 70 DUROMETER O-RING	3.250 X .125	12 PER PACKAGE	\$7.50
237 - BUNA-N 70 DUROMETER O-RING	3.375 X .125	10 PER PACKAGE	\$7.50
238 - BUNA-N 70 DUROMETER O-RING	3.500 X .125	10 PER PACKAGE	\$7.50
239 - BUNA-N 70 DUROMETER O-RING	3.625 X .125	9 PER PACKAGE	\$7.50
240 - BUNA-N 70 DUROMETER O-RING	3.750 X .125	9 PER PACKAGE	\$7.50
241 - BUNA-N 70 DUROMETER O-RING	3.875 X .125	9 PER PACKAGE	\$7.50
242 - BUNA-N 70 DUROMETER O-RING	4.000 X .125	7 PER PACKAGE	\$7.50
243 - BUNA-N 70 DUROMETER O-RING	4.125 X .125	7 PER PACKAGE	\$7.50
244 - BUNA-N 70 DUROMETER O-RING	4.250 X .125	7 PER PACKAGE	\$7.50
245 - BUNA-N 70 DUROMETER O-RING	4.375 X .125	6 PER PACKAGE	\$7.50
246 - BUNA-N 70 DUROMETER O-RING	4.500 X .125	6 PER PACKAGE	\$7.50
247 - BUNA-N 70 DUROMETER O-RING	4.625 X .125	6 PER PACKAGE	\$7.50
248 - BUNA-N 70 DUROMETER O-RING	4.750 X .125	6 PER PACKAGE	\$7.50
249 - BUNA-N 70 DUROMETER O-RING	4.875 X .125	5 PER PACKAGE	\$7.50
250 - BUNA-N 70 DUROMETER O-RING	5.000 X .125	5 PER PACKAGE	\$7.50
251 - BUNA-N 70 DUROMETER O-RING	5.125 X .125	5 PER PACKAGE	\$7.50
252 - BUNA-N 70 DUROMETER O-RING	5.250 X .125	5 PER PACKAGE	\$7.50
253 - BUNA-N 70 DUROMETER O-RING	5.375 X .125	5 PER PACKAGE	\$7.50
254 - BUNA-N 70 DUROMETER O-RING	5.500 X .125	4 PER PACKAGE	\$7.50
255 - BUNA-N 70 DUROMETER O-RING	5.625 X .125	4 PER PACKAGE	\$7.50
256 - BUNA-N 70 DUROMETER O-RING	5.750 X .125	4 PER PACKAGE	\$7.50
257 - BUNA-N 70 DUROMETER O-RING	5.875 X .125	3 PER PACKAGE	\$7.50
258 - BUNA-N 70 DUROMETER O-RING	6.000 X .125	3 PER PACKAGE	\$7.50
259 - BUNA-N 70 DUROMETER O-RING	6.250 X .125	3 PER PACKAGE	\$7.50
260 - BUNA-N 70 DUROMETER O-RING	6.500 X .125	3 PER PACKAGE	\$7.50
261 - BUNA-N 70 DUROMETER O-RING	6.750 X .125	3 PER PACKAGE	\$7.50
262 - BUNA-N 70 DUROMETER O-RING	7.000 X .125	3 PER PACKAGE	\$7.50
263 - BUNA-N 70 DUROMETER O-RING	7.250 X .125	3 PER PACKAGE	\$7.50
264 - BUNA-N 70 DUROMETER O-RING	7.500 X .125	3 PER PACKAGE	\$7.50
265 - BUNA-N 70 DUROMETER O-RING	7.750 X .125	2 PER PACKAGE	\$7.50
266 - BUNA-N 70 DUROMETER O-RING	8.000 X .125	2 PER PACKAGE	\$7.50
267 - BUNA-N 70 DUROMETER O-RING	8.250 X .125	2 PER PACKAGE	\$7.50
268 - BUNA-N 70 DUROMETER O-RING	8.500 X .125	2 PER PACKAGE	\$7.50
269 - BUNA-N 70 DUROMETER O-RING	8.750 X .125	2 PER PACKAGE	\$7.50
270 - BUNA-N 70 DUROMETER O-RING	9.000 X .125	2 PER PACKAGE	\$7.50
271 - BUNA-N 70 DUROMETER O-RING	9.250 X .125	2 PER PACKAGE	\$7.50
272 - BUNA-N 70 DUROMETER O-RING	9.500 X .125	2 PER PACKAGE	\$7.50
273 - BUNA-N 70 DUROMETER O-RING	9.750 X .125	2 PER PACKAGE	\$7.50
274 - BUNA-N 70 DUROMETER O-RING	10.000 X .125	2 PER PACKAGE	\$7.50
275 - BUNA-N 70 DUROMETER O-RING	10.500 X .125	2 PER PACKAGE	\$7.50
276 - BUNA-N 70 DUROMETER O-RING	11.000 X .125	2 PER PACKAGE	\$7.50

BUNA 70 DUROMETER O-RINGS

ITEM DESCRIPTION	I.D. X C.S.	UNIT OF MEASURE	LIST PRICE
277 - BUNA-N 70 DUROMETER O-RING	11.500 X .125	1 PER PACKAGE	\$7.50
278 - BUNA-N 70 DUROMETER O-RING	12.000 X .125	1 PER PACKAGE	\$7.50
279 - BUNA-N 70 DUROMETER O-RING	13.000 X .125	1 PER PACKAGE	\$7.50
280 - BUNA-N 70 DUROMETER O-RING	14.000 X .125	1 PER PACKAGE	\$7.50
281 - BUNA-N 70 DUROMETER O-RING	15.000 X .125	1 PER PACKAGE	\$7.50
282 - BUNA-N 70 DUROMETER O-RING	16.000 X .125	1 PER PACKAGE	\$7.50
283 - BUNA-N 70 DUROMETER O-RING	17.000 X .125	1 PER PACKAGE	\$7.50
284 - BUNA-N 70 DUROMETER O-RING	18.000 X .125	1 PER PACKAGE	\$7.50
309 - BUNA-N 70 DUROMETER O-RING	.437 X .187	25 PER PACKAGE	\$7.50
310 - BUNA-N 70 DUROMETER O-RING	.500 X .187	25 PER PACKAGE	\$7.50
311 - BUNA-N 70 DUROMETER O-RING	.562 X .187	25 PER PACKAGE	\$7.50
312 - BUNA-N 70 DUROMETER O-RING	.625 X .187	25 PER PACKAGE	\$7.50
313 - BUNA-N 70 DUROMETER O-RING	.687 X .187	25 PER PACKAGE	\$7.50
314 - BUNA-N 70 DUROMETER O-RING	.750 X .187	25 PER PACKAGE	\$7.50
315 - BUNA-N 70 DUROMETER O-RING	.812 X .187	25 PER PACKAGE	\$7.50
316 - BUNA-N 70 DUROMETER O-RING	.875 X .187	20 PER PACKAGE	\$7.50
317 - BUNA-N 70 DUROMETER O-RING	.937 X .187	20 PER PACKAGE	\$7.50
318 - BUNA-N 70 DUROMETER O-RING	1.000 X .187	20 PER PACKAGE	\$7.50
319 - BUNA-N 70 DUROMETER O-RING	1.062 X .187	20 PER PACKAGE	\$7.50
320 - BUNA-N 70 DUROMETER O-RING	1.125 X .187	20 PER PACKAGE	\$7.50
321 - BUNA-N 70 DUROMETER O-RING	1.187 X .187	20 PER PACKAGE	\$7.50
322 - BUNA-N 70 DUROMETER O-RING	1.250 X .187	20 PER PACKAGE	\$7.50
323 - BUNA-N 70 DUROMETER O-RING	1.312 X .187	20 PER PACKAGE	\$7.50
324 - BUNA-N 70 DUROMETER O-RING	1.375 X .187	18 PER PACKAGE	\$7.50
325 - BUNA-N 70 DUROMETER O-RING	1.500 X .187	18 PER PACKAGE	\$7.50
326 - BUNA-N 70 DUROMETER O-RING	1.625 X .187	18 PER PACKAGE	\$7.50
327 - BUNA-N 70 DUROMETER O-RING	1.750 X .187	18 PER PACKAGE	\$7.50
328 - BUNA-N 70 DUROMETER O-RING	1.875 X .187	18 PER PACKAGE	\$7.50
329 - BUNA-N 70 DUROMETER O-RING	2.000 X .187	15 PER PACKAGE	\$7.50
330 - BUNA-N 70 DUROMETER O-RING	2.125 X .187	13 PER PACKAGE	\$7.50
331 - BUNA-N 70 DUROMETER O-RING	2.250 X .187	13 PER PACKAGE	\$7.50
332 - BUNA-N 70 DUROMETER O-RING	2.375 X .187	13 PER PACKAGE	\$7.50
333 - BUNA-N 70 DUROMETER O-RING	2.500 X .187	12 PER PACKAGE	\$7.50
334 - BUNA-N 70 DUROMETER O-RING	2.625 X .187	12 PER PACKAGE	\$7.50
335 - BUNA-N 70 DUROMETER O-RING	2.750 X .187	11 PER PACKAGE	\$7.50
336 - BUNA-N 70 DUROMETER O-RING	2.875 X .187	10 PER PACKAGE	\$7.50
337 - BUNA-N 70 DUROMETER O-RING	3.000 X .187	10 PER PACKAGE	\$7.50
338 - BUNA-N 70 DUROMETER O-RING	3.125 X .187	10 PER PACKAGE	\$7.50
339 - BUNA-N 70 DUROMETER O-RING	3.250 X .187	9 PER PACKAGE	\$7.50
340 - BUNA-N 70 DUROMETER O-RING	3.375 X .187	9 PER PACKAGE	\$7.50
341 - BUNA-N 70 DUROMETER O-RING	3.500 X .187	7 PER PACKAGE	\$7.50
342 - BUNA-N 70 DUROMETER O-RING	3.625 X .187	7 PER PACKAGE	\$7.50
343 - BUNA-N 70 DUROMETER O-RING	3.750 X .187	7 PER PACKAGE	\$7.50

BUNA 70 DUROMETER O-RINGS

ITEM DESCRIPTION	I.D. X C.S.	UNIT OF MEASURE	LIST PRICE
344 - BUNA-N 70 DUROMETER O-RING	3.875 X .187	6 PER PACKAGE	\$7.50
345 - BUNA-N 70 DUROMETER O-RING	4.000 X .187	6 PER PACKAGE	\$7.50
346 - BUNA-N 70 DUROMETER O-RING	4.125 X .187	6 PER PACKAGE	\$7.50
347 - BUNA-N 70 DUROMETER O-RING	4.250 X .187	6 PER PACKAGE	\$7.50
348 - BUNA-N 70 DUROMETER O-RING	4.375 X .187	4 PER PACKAGE	\$7.50
349 - BUNA-N 70 DUROMETER O-RING	4.500 X .187	4 PER PACKAGE	\$7.50
350 - BUNA-N 70 DUROMETER O-RING	4.625 X .187	4 PER PACKAGE	\$7.50
351 - BUNA-N 70 DUROMETER O-RING	4.750 X .187	4 PER PACKAGE	\$7.50
352 - BUNA-N 70 DUROMETER O-RING	4.875 X .187	4 PER PACKAGE	\$7.50
353 - BUNA-N 70 DUROMETER O-RING	5.000 X .187	4 PER PACKAGE	\$7.50
354 - BUNA-N 70 DUROMETER O-RING	5.125 X .187	4 PER PACKAGE	\$7.50
355 - BUNA-N 70 DUROMETER O-RING	5.250 X .187	4 PER PACKAGE	\$7.50
356 - BUNA-N 70 DUROMETER O-RING	5.375 X .187	4 PER PACKAGE	\$7.50
357 - BUNA-N 70 DUROMETER O-RING	5.500 X .187	4 PER PACKAGE	\$7.50
358 - BUNA-N 70 DUROMETER O-RING	5.625 X .187	3 PER PACKAGE	\$7.50
359 - BUNA-N 70 DUROMETER O-RING	5.750 X .187	3 PER PACKAGE	\$7.50
360 - BUNA-N 70 DUROMETER O-RING	5.875 X .187	3 PER PACKAGE	\$7.50
361 - BUNA-N 70 DUROMETER O-RING	6.000 X .187	3 PER PACKAGE	\$7.50
362 - BUNA-N 70 DUROMETER O-RING	6.250 X .187	3 PER PACKAGE	\$7.50
363 - BUNA-N 70 DUROMETER O-RING	6.500 X .187	3 PER PACKAGE	\$7.50
364 - BUNA-N 70 DUROMETER O-RING	6.750 X .187	3 PER PACKAGE	\$7.50
365 - BUNA-N 70 DUROMETER O-RING	7.000 X .187	3 PER PACKAGE	\$7.50
366 - BUNA-N 70 DUROMETER O-RING	7.250 X .187	3 PER PACKAGE	\$7.50
367 - BUNA-N 70 DUROMETER O-RING	7.500 X .187	3 PER PACKAGE	\$7.50
368 - BUNA-N 70 DUROMETER O-RING	7.750 X .187	2 PER PACKAGE	\$7.50
369 - BUNA-N 70 DUROMETER O-RING	8.000 X .187	2 PER PACKAGE	\$7.50
370 - BUNA-N 70 DUROMETER O-RING	8.250 X .187	2 PER PACKAGE	\$7.50
371 - BUNA-N 70 DUROMETER O-RING	8.500 X .187	2 PER PACKAGE	\$7.50
372 - BUNA-N 70 DUROMETER O-RING	8.750 X .187	2 PER PACKAGE	\$7.50
373 - BUNA-N 70 DUROMETER O-RING	9.000 X .187	2 PER PACKAGE	\$7.50
374 - BUNA-N 70 DUROMETER O-RING	9.250 X .187	2 PER PACKAGE	\$7.50
375 - BUNA-N 70 DUROMETER O-RING	9.500 X .187	2 PER PACKAGE	\$7.50
376 - BUNA-N 70 DUROMETER O-RING	9.750 X .187	2 PER PACKAGE	\$7.50
377 - BUNA-N 70 DUROMETER O-RING	10.000 X .187	2 PER PACKAGE	\$7.50
378 - BUNA-N 70 DUROMETER O-RING	10.500 X .187	2 PER PACKAGE	\$7.50
379 - BUNA-N 70 DUROMETER O-RING	11.000 X .187	2 PER PACKAGE	\$7.50
380 - BUNA-N 70 DUROMETER O-RING	11.500 X .187	1 PER PACKAGE	\$7.50
381 - BUNA-N 70 DUROMETER O-RING	12.000 X .187	1 PER PACKAGE	\$7.50
382 - BUNA-N 70 DUROMETER O-RING	13.000 X .187	1 PER PACKAGE	\$7.50
383 - BUNA-N 70 DUROMETER O-RING	14.000 X .187	1 PER PACKAGE	\$7.50
384 - BUNA-N 70 DUROMETER O-RING	15.000 X .187	1 PER PACKAGE	\$7.50
385 - BUNA-N 70 DUROMETER O-RING	16.000 X .187	1 PER PACKAGE	\$7.50
386 - BUNA-N 70 DUROMETER O-RING	17.000 X .187	1 PER PACKAGE	\$7.50

BUNA 70 DUROMETER O-RINGS

ITEM DESCRIPTION	I.D. X C.S.	UNIT OF MEASURE	LIST PRICE
387 - BUNA-N 70 DUROMETER O-RING	18.000 X .187	1 PER PACKAGE	\$7.50
388 - BUNA-N 70 DUROMETER O-RING	19.000 X .187	1 PER PACKAGE	\$7.50
389 - BUNA-N 70 DUROMETER O-RING	20.000 X .187	1 PER PACKAGE	\$7.50

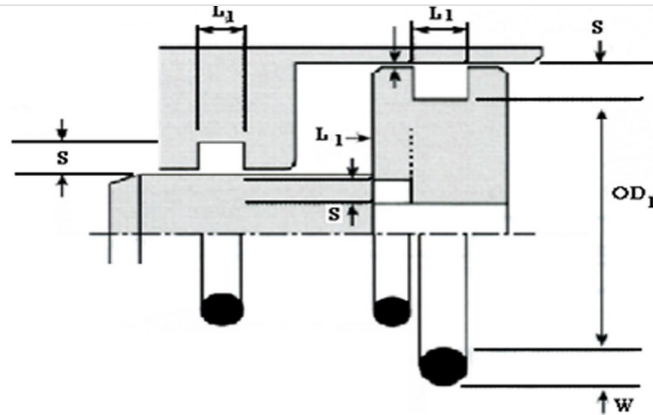
Extensive inventories at your disposal

401 - BUNA-N 70 DUROMETER O-RING	1.500 X .250	2 PER PACKAGE	\$7.50
402 - BUNA-N 70 DUROMETER O-RING	1.625 X .250	2 PER PACKAGE	\$7.50
403 - BUNA-N 70 DUROMETER O-RING	1.750 X .250	2 PER PACKAGE	\$7.50
404 - BUNA-N 70 DUROMETER O-RING	1.875 X .250	2 PER PACKAGE	\$7.50
405 - BUNA-N 70 DUROMETER O-RING	2.000 X .250	2 PER PACKAGE	\$7.50
406 - BUNA-N 70 DUROMETER O-RING	2.125 X .250	2 PER PACKAGE	\$7.50
407 - BUNA-N 70 DUROMETER O-RING	2.250 X .250	2 PER PACKAGE	\$7.50
408 - BUNA-N 70 DUROMETER O-RING	2.375 X .250	2 PER PACKAGE	\$7.50
409 - BUNA-N 70 DUROMETER O-RING	2.500 X .250	2 PER PACKAGE	\$7.50
410 - BUNA-N 70 DUROMETER O-RING	2.625 X .250	2 PER PACKAGE	\$7.50
411 - BUNA-N 70 DUROMETER O-RING	2.750 X .250	2 PER PACKAGE	\$7.50
412 - BUNA-N 70 DUROMETER O-RING	2.875 X .250	2 PER PACKAGE	\$7.50
413 - BUNA-N 70 DUROMETER O-RING	3.000 X .250	2 PER PACKAGE	\$7.50
414 - BUNA-N 70 DUROMETER O-RING	3.125 X .250	2 PER PACKAGE	\$7.50
415 - BUNA-N 70 DUROMETER O-RING	3.250 X .250	2 PER PACKAGE	\$7.50
416 - BUNA-N 70 DUROMETER O-RING	3.375 X .250	2 PER PACKAGE	\$7.50
417 - BUNA-N 70 DUROMETER O-RING	3.500 X .250	2 PER PACKAGE	\$7.50
418 - BUNA-N 70 DUROMETER O-RING	3.625 X .250	2 PER PACKAGE	\$7.50
419 - BUNA-N 70 DUROMETER O-RING	3.750 X .250	2 PER PACKAGE	\$7.50
420 - BUNA-N 70 DUROMETER O-RING	3.875 X .250	2 PER PACKAGE	\$7.50
421 - BUNA-N 70 DUROMETER O-RING	4.000 X .250	2 PER PACKAGE	\$7.50
422 - BUNA-N 70 DUROMETER O-RING	4.125 X .250	2 PER PACKAGE	\$7.50
423 - BUNA-N 70 DUROMETER O-RING	4.250 X .250	2 PER PACKAGE	\$7.50
424 - BUNA-N 70 DUROMETER O-RING	4.375 X .250	2 PER PACKAGE	\$7.50
425 - BUNA-N 70 DUROMETER O-RING	4.500 X .250	4 PER PACKAGE	\$7.50
426 - BUNA-N 70 DUROMETER O-RING	4.625 X .250	4 PER PACKAGE	\$7.50
427 - BUNA-N 70 DUROMETER O-RING	4.750 X .250	4 PER PACKAGE	\$7.50
428 - BUNA-N 70 DUROMETER O-RING	4.875 X .250	4 PER PACKAGE	\$7.50
429 - BUNA-N 70 DUROMETER O-RING	5.000 X .250	3 PER PACKAGE	\$7.50
430 - BUNA-N 70 DUROMETER O-RING	5.125 X .250	3 PER PACKAGE	\$7.50
431 - BUNA-N 70 DUROMETER O-RING	5.250 X .250	3 PER PACKAGE	\$7.50
432 - BUNA-N 70 DUROMETER O-RING	5.375 X .250	3 PER PACKAGE	\$7.50
433 - BUNA-N 70 DUROMETER O-RING	5.500 X .250	3 PER PACKAGE	\$7.50
434 - BUNA-N 70 DUROMETER O-RING	5.625 X .250	3 PER PACKAGE	\$7.50
435 - BUNA-N 70 DUROMETER O-RING	5.750 X .250	3 PER PACKAGE	\$7.50
436 - BUNA-N 70 DUROMETER O-RING	5.875 X .250	3 PER PACKAGE	\$7.50
437 - BUNA-N 70 DUROMETER O-RING	6.000 X .250	3 PER PACKAGE	\$7.50

BUNA 70 DUROMETER O-RINGS

ITEM DESCRIPTION	I.D. X C.S.	UNIT OF MEASURE	LIST PRICE
438 - BUNA-N 70 DUROMETER O-RING	6.250 X .250	3 PER PACKAGE	\$7.50
439 - BUNA-N 70 DUROMETER O-RING	6.500 X .250	3 PER PACKAGE	\$7.50
440 - BUNA-N 70 DUROMETER O-RING	6.750 X .250	3 PER PACKAGE	\$7.50
441 - BUNA-N 70 DUROMETER O-RING	7.000 X .250	2 PER PACKAGE	\$7.50
442 - BUNA-N 70 DUROMETER O-RING	7.250 X .250	2 PER PACKAGE	\$7.50
443 - BUNA-N 70 DUROMETER O-RING	7.500 X .250	2 PER PACKAGE	\$7.50
444 - BUNA-N 70 DUROMETER O-RING	7.750 X .250	2 PER PACKAGE	\$7.50
445 - BUNA-N 70 DUROMETER O-RING	8.000 X .250	2 PER PACKAGE	\$7.50
446 - BUNA-N 70 DUROMETER O-RING	8.500 X .250	2 PER PACKAGE	\$7.50
447 - BUNA-N 70 DUROMETER O-RING	9.000 X .250	2 PER PACKAGE	\$7.50
448 - BUNA-N 70 DUROMETER O-RING	9.500 X .250	2 PER PACKAGE	\$7.50
449 - BUNA-N 70 DUROMETER O-RING	10.000 X .250	2 PER PACKAGE	\$7.50
450 - BUNA-N 70 DUROMETER O-RING	10.500 X .250	1 PER PACKAGE	\$7.50
451 - BUNA-N 70 DUROMETER O-RING	11.000 X .250	1 PER PACKAGE	\$7.50
452 - BUNA-N 70 DUROMETER O-RING	11.500 X .250	1 PER PACKAGE	\$7.50
453 - BUNA-N 70 DUROMETER O-RING	12.000 X .250	1 PER PACKAGE	\$7.50
454 - BUNA-N 70 DUROMETER O-RING	12.500 X .250	1 PER PACKAGE	\$7.50
455 - BUNA-N 70 DUROMETER O-RING	13.000 X .250	1 PER PACKAGE	\$7.50
456 - BUNA-N 70 DUROMETER O-RING	13.500 X .250	1 PER PACKAGE	\$7.50
457 - BUNA-N 70 DUROMETER O-RING	14.000 X .250	1 PER PACKAGE	\$7.50
458 - BUNA-N 70 DUROMETER O-RING	14.500 X .250	1 PER PACKAGE	\$7.50
459 - BUNA-N 70 DUROMETER O-RING	15.000 X .250	1 PER PACKAGE	\$7.50
460 - BUNA-N 70 DUROMETER O-RING	15.500 X .250	1 PER PACKAGE	\$7.50
461 - BUNA-N 70 DUROMETER O-RING	16.000 X .250	1 PER PACKAGE	\$7.50
462 - BUNA-N 70 DUROMETER O-RING	16.500 X .250	1 PER PACKAGE	\$7.50
463 - BUNA-N 70 DUROMETER O-RING	17.000 X .250	1 PER PACKAGE	\$7.50
464 - BUNA-N 70 DUROMETER O-RING	17.500 X .250	1 PER PACKAGE	\$7.50
465 - BUNA-N 70 DUROMETER O-RING	18.000 X .250	1 PER PACKAGE	\$10.32
466 - BUNA-N 70 DUROMETER O-RING	18.500 X .250	1 PER PACKAGE	\$10.32
467 - BUNA-N 70 DUROMETER O-RING	19.000 X .250	1 PER PACKAGE	\$10.32
468 - BUNA-N 70 DUROMETER O-RING	19.500 X .250	1 PER PACKAGE	\$11.24
469 - BUNA-N 70 DUROMETER O-RING	20.000 X .250	1 PER PACKAGE	\$11.71
470 - BUNA-N 70 DUROMETER O-RING	21.000 X .250	1 PER PACKAGE	\$11.94
471 - BUNA-N 70 DUROMETER O-RING	22.000 X .250	1 PER PACKAGE	\$15.42
472 - BUNA-N 70 DUROMETER O-RING	23.000 X .250	1 PER PACKAGE	\$15.42
473 - BUNA-N 70 DUROMETER O-RING	24.000 X .250	1 PER PACKAGE	\$15.42
475 - BUNA-N 70 DUROMETER O-RING	26.500 X .250	1 PER PACKAGE	\$15.50

90-DUROMETER NITRILE O-RINGS



BUNA-N 90 DUROMETER O-RINGS

ITEM DESCRIPTION	UNIT OF MEASURE	LIST PRICE
006 90 DUROMETER O-RING	34 PER PACKAGE	\$7.50
007 90 DUROMETER O-RING	34 PER PACKAGE	\$7.50
008 90 DUROMETER O-RING	34 PER PACKAGE	\$7.50
009 90 DUROMETER O-RING	34 PER PACKAGE	\$7.50
010 90 DUROMETER O-RING	34 PER PACKAGE	\$7.50
011 90 DUROMETER O-RING	34 PER PACKAGE	\$7.50
012 90 DUROMETER O-RING	34 PER PACKAGE	\$7.50
013 90 DUROMETER O-RING	34 PER PACKAGE	\$7.50
014 90 DUROMETER O-RING	34 PER PACKAGE	\$7.50
015 90 DUROMETER O-RING	29 PER PACKAGE	\$7.50
016 90 DUROMETER O-RING	29 PER PACKAGE	\$7.50
017 90 DUROMETER O-RING	29 PER PACKAGE	\$7.50
018 90 DUROMETER O-RING	25 PER PACKAGE	\$7.50
019 90 DUROMETER O-RING	25 PER PACKAGE	\$7.50
020 90 DUROMETER O-RING	25 PER PACKAGE	\$7.50
021 90 DUROMETER O-RING	25 PER PACKAGE	\$7.50
022 90 DUROMETER O-RING	25 PER PACKAGE	\$7.50
023 90 DUROMETER O-RING	23 PER PACKAGE	\$7.50
024 90 DUROMETER O-RING	20 PER PACKAGE	\$7.50
025 90 DUROMETER O-RING	20 PER PACKAGE	\$7.50
026 90 DUROMETER O-RING	20 PER PACKAGE	\$7.50
027 90 DUROMETER O-RING	20 PER PACKAGE	\$7.50
028 90 DUROMETER O-RING	20 PER PACKAGE	\$7.50
029 90 DUROMETER O-RING	20 PER PACKAGE	\$7.50
030 90 DUROMETER O-RING	20 PER PACKAGE	\$7.50
031 90 DUROMETER O-RING	20 PER PACKAGE	\$7.50
032 90 DUROMETER O-RING	20 PER PACKAGE	\$7.50
033 90 DUROMETER O-RING	20 PER PACKAGE	\$7.50
034 90 DUROMETER O-RING	15 PER PACKAGE	\$7.50
035 90 DUROMETER O-RING	15 PER PACKAGE	\$7.50
036 90 DUROMETER O-RING	15 PER PACKAGE	\$7.50

BUNA-N 90 DUROMETER O-RINGS

ITEM DESCRIPTION	UNIT OF MEASURE	LIST PRICE
037 90 DUROMETER O-RING	14 PER PACKAGE	\$7.58
038 90 DUROMETER O-RING	14 PER PACKAGE	\$7.50
039 90 DUROMETER O-RING	14 PER PACKAGE	\$7.50
040 90 DUROMETER O-RING	14 PER PACKAGE	\$7.50
041 90 DUROMETER O-RING	14 PER PACKAGE	\$7.50
042 90 DUROMETER O-RING	14 PER PACKAGE	\$7.50
043 90 DUROMETER O-RING	14 PER PACKAGE	\$7.50
044 90 DUROMETER O-RING	14 PER PACKAGE	\$7.50
045 90 DUROMETER O-RING	5 PER PACKAGE	\$7.50
046 90 DUROMETER O-RING	5 PER PACKAGE	\$7.50
047 90 DUROMETER O-RING	5 PER PACKAGE	\$7.50
048 90 DUROMETER O-RING	5 PER PACKAGE	\$7.50
049 90 DUROMETER O-RING	5 PER PACKAGE	\$7.50
050 90 DUROMETER O-RING	5 PER PACKAGE	\$7.50
106 90 DUROMETER O-RING	29 PER PACKAGE	\$7.50
107 90 DUROMETER O-RING	29 PER PACKAGE	\$7.50
108 90 DUROMETER O-RING	29 PER PACKAGE	\$7.50
109 90 DUROMETER O-RING	29 PER PACKAGE	\$7.50
110 90 DUROMETER O-RING	29 PER PACKAGE	\$7.50
111 90 DUROMETER O-RING	29 PER PACKAGE	\$7.50
112 90 DUROMETER O-RING	29 PER PACKAGE	\$7.50
113 90 DUROMETER O-RING	29 PER PACKAGE	\$7.50
114 90 DUROMETER O-RING	29 PER PACKAGE	\$7.50
115 90 DUROMETER O-RING	29 PER PACKAGE	\$7.50
116 90 DUROMETER O-RING	29 PER PACKAGE	\$7.50
117 90 DUROMETER O-RING	25 PER PACKAGE	\$7.50
118 90 DUROMETER O-RING	25 PER PACKAGE	\$7.50
119 90 DUROMETER O-RING	25 PER PACKAGE	\$7.50
120 90 DUROMETER O-RING	25 PER PACKAGE	\$7.50
121 90 DUROMETER O-RING	25 PER PACKAGE	\$7.50
122 90 DUROMETER O-RING	25 PER PACKAGE	\$7.50
123 90 DUROMETER O-RING	20 PER PACKAGE	\$7.50
124 90 DUROMETER O-RING	20 PER PACKAGE	\$7.50
125 90 DUROMETER O-RING	20 PER PACKAGE	\$7.50
126 90 DUROMETER O-RING	19 PER PACKAGE	\$7.50
127 90 DUROMETER O-RING	19 PER PACKAGE	\$7.50
128 90 DUROMETER O-RING	19 PER PACKAGE	\$7.50
129 90 DUROMETER O-RING	19 PER PACKAGE	\$7.50
130 90 DUROMETER O-RING	12 PER PACKAGE	\$7.50
131 90 DUROMETER O-RING	12 PER PACKAGE	\$7.50
132 90 DUROMETER O-RING	12 PER PACKAGE	\$7.50
133 90 DUROMETER O-RING	12 PER PACKAGE	\$7.50
134 90 DUROMETER O-RING	12 PER PACKAGE	\$7.50

BUNA-N 90 DUROMETER O-RINGS

ITEM DESCRIPTION	UNIT OF MEASURE	LIST PRICE
135 90 DUROMETER O-RING	12 PER PACKAGE	\$7.50
136 90 DUROMETER O-RING	12 PER PACKAGE	\$7.50
137 90 DUROMETER O-RING	12 PER PACKAGE	\$7.50
138 90 DUROMETER O-RING	12 PER PACKAGE	\$7.50
139 90 DUROMETER O-RING	12 PER PACKAGE	\$7.50
140 90 DUROMETER O-RING	12 PER PACKAGE	\$7.50
141 90 DUROMETER O-RING	12 PER PACKAGE	\$7.50
142 90 DUROMETER O-RING	12 PER PACKAGE	\$7.50
143 90 DUROMETER O-RING	12 PER PACKAGE	\$7.50
144 90 DUROMETER O-RING	12 PER PACKAGE	\$7.50
145 90 DUROMETER O-RING	12 PER PACKAGE	\$7.50
146 90 DUROMETER O-RING	12 PER PACKAGE	\$7.50
147 90 DUROMETER O-RING	12 PER PACKAGE	\$7.50
148 90 DUROMETER O-RING	12 PER PACKAGE	\$7.50
149 90 DUROMETER O-RING	12 PER PACKAGE	\$7.50
150 90 DUROMETER O-RING	10 PER PACKAGE	\$7.50
151 90 DUROMETER O-RING	10 PER PACKAGE	\$7.50
152 90 DUROMETER O-RING	8 PER PACKAGE	\$7.50
153 90 DUROMETER O-RING	8 PER PACKAGE	\$7.50
154 90 DUROMETER O-RING	6 PER PACKAGE	\$7.50
155 90 DUROMETER O-RING	6 PER PACKAGE	\$7.50
156 90 DUROMETER O-RING	6 PER PACKAGE	\$7.50
157 90 DUROMETER O-RING	6 PER PACKAGE	\$7.50
158 90 DUROMETER O-RING	4 PER PACKAGE	\$7.50
159 90 DUROMETER O-RING	4 PER PACKAGE	\$7.50
160 90 DUROMETER O-RING	3 PER PACKAGE	\$7.50
161 90 DUROMETER O-RING	2 PER PACKAGE	\$7.50
162 90 DUROMETER O-RING	2 PER PACKAGE	\$7.50
163 90 DUROMETER O-RING	2 PER PACKAGE	\$7.50
164 90 DUROMETER O-RING	2 PER PACKAGE	\$7.50
165 90 DUROMETER O-RING	2 PER PACKAGE	\$7.50
170 90 DUROMETER O-RING	2 PER PACKAGE	\$7.50
171 90 DUROMETER O-RING	2 PER PACKAGE	\$7.50
172 90 DUROMETER O-RING	2 PER PACKAGE	\$7.50
204 90 DUROMETER O-RING	29 PER PACKAGE	\$7.50
205 90 DUROMETER O-RING	29 PER PACKAGE	\$7.50
206 90 DUROMETER O-RING	29 PER PACKAGE	\$7.50
207 90 DUROMETER O-RING	29 PER PACKAGE	\$7.50
208 90 DUROMETER O-RING	29 PER PACKAGE	\$7.50
209 90 DUROMETER O-RING	25 PER PACKAGE	\$7.50
210 90 DUROMETER O-RING	25 PER PACKAGE	\$7.50
211 90 DUROMETER O-RING	25 PER PACKAGE	\$7.50
212 90 DUROMETER O-RING	25 PER PACKAGE	\$7.50

BUNA-N 90 DUROMETER O-RINGS

ITEM DESCRIPTION	UNIT OF MEASURE	LIST PRICE
213 90 DUROMETER O-RING	25 PER PACKAGE	\$7.50
214 90 DUROMETER O-RING	23 PER PACKAGE	\$7.50
215 90 DUROMETER O-RING	23 PER PACKAGE	\$7.50
216 90 DUROMETER O-RING	23 PER PACKAGE	\$7.50
217 90 DUROMETER O-RING	19 PER PACKAGE	\$7.50
218 90 DUROMETER O-RING	19 PER PACKAGE	\$7.50
219 90 DUROMETER O-RING	19 PER PACKAGE	\$7.50
220 90 DUROMETER O-RING	19 PER PACKAGE	\$7.50
221 90 DUROMETER O-RING	19 PER PACKAGE	\$7.50
222 90 DUROMETER O-RING	19 PER PACKAGE	\$7.50
223 90 DUROMETER O-RING	19 PER PACKAGE	\$7.50
224 90 DUROMETER O-RING	17 PER PACKAGE	\$7.50
225 90 DUROMETER O-RING	17 PER PACKAGE	\$7.50
226 90 DUROMETER O-RING	15 PER PACKAGE	\$7.50
227 90 DUROMETER O-RING	15 PER PACKAGE	\$7.50
228 90 DUROMETER O-RING	15 PER PACKAGE	\$7.50
229 90 DUROMETER O-RING	15 PER PACKAGE	\$7.50
230 90 DUROMETER O-RING	12 PER PACKAGE	\$7.50
231 90 DUROMETER O-RING	12 PER PACKAGE	\$7.50
232 90 DUROMETER O-RING	12 PER PACKAGE	\$7.50
233 90 DUROMETER O-RING	12 PER PACKAGE	\$7.50
234 90 DUROMETER O-RING	12 PER PACKAGE	\$7.50
235 90 DUROMETER O-RING	9 PER PACKAGE	\$7.50
236 90 DUROMETER O-RING	9 PER PACKAGE	\$7.50
237 90 DUROMETER O-RING	9 PER PACKAGE	\$7.50
238 90 DUROMETER O-RING	7 PER PACKAGE	\$7.50
239 90 DUROMETER O-RING	7 PER PACKAGE	\$7.50
240 90 DUROMETER O-RING	7 PER PACKAGE	\$7.50
241 90 DUROMETER O-RING	7 PER PACKAGE	\$7.50
242 90 DUROMETER O-RING	7 PER PACKAGE	\$7.50
243 90 DUROMETER O-RING	7 PER PACKAGE	\$7.50
244 90 DUROMETER O-RING	7 PER PACKAGE	\$7.50
245 90 DUROMETER O-RING	7 PER PACKAGE	\$7.50
246 90 DUROMETER O-RING	7 PER PACKAGE	\$7.50
247 90 DUROMETER O-RING	4 PER PACKAGE	\$7.50
248 90 DUROMETER O-RING	4 PER PACKAGE	\$7.50
249 90 DUROMETER O-RING	4 PER PACKAGE	\$7.50
250 90 DUROMETER O-RING	4 PER PACKAGE	\$7.50
251 90 DUROMETER O-RING	4 PER PACKAGE	\$7.50
252 90 DUROMETER O-RING	4 PER PACKAGE	\$7.50
253 90 DUROMETER O-RING	4 PER PACKAGE	\$7.50
254 90 DUROMETER O-RING	4 PER PACKAGE	\$7.50
255 90 DUROMETER O-RING	3 PER PACKAGE	\$7.50

BUNA-N 90 DUROMETER O-RINGS

ITEM DESCRIPTION	UNIT OF MEASURE	LIST PRICE
256 90 DUROMETER O-RING	3 PER PACKAGE	\$7.50
257 90 DUROMETER O-RING	3 PER PACKAGE	\$7.50
258 90 DUROMETER O-RING	2 PER PACKAGE	\$7.50
259 90 DUROMETER O-RING	2 PER PACKAGE	\$7.50
260 90 DUROMETER O-RING	2 PER PACKAGE	\$7.50
261 90 DUROMETER O-RING	2 PER PACKAGE	\$7.50
262 90 DUROMETER O-RING	2 PER PACKAGE	\$7.50
263 90 DUROMETER O-RING	2 PER PACKAGE	\$7.50
264 90 DUROMETER O-RING	2 PER PACKAGE	\$7.50
265 90 DUROMETER O-RING	2 PER PACKAGE	\$7.50
266 90 DUROMETER O-RING	2 PER PACKAGE	\$7.50
267 90 DUROMETER O-RING	2 PER PACKAGE	\$7.50
268 90 DUROMETER O-RING	2 PER PACKAGE	\$7.50
269 90 DUROMETER O-RING	2 PER PACKAGE	\$7.50
270 90 DUROMETER O-RING	2 PER PACKAGE	\$7.50
271 90 DUROMETER O-RING	2 PER PACKAGE	\$7.50
272 90 DUROMETER O-RING	2 PER PACKAGE	\$7.50
273 90 DUROMETER O-RING	2 PER PACKAGE	\$7.50
274 90 DUROMETER O-RING	2 PER PACKAGE	\$7.50
275 90 DUROMETER O-RING	2 PER PACKAGE	\$7.50
276 90 DUROMETER O-RING	2 PER PACKAGE	\$7.50
277 90 DUROMETER O-RING	2 PER PACKAGE	\$7.50
278 90 DUROMETER O-RING	2 PER PACKAGE	\$7.50
279 90 DUROMETER O-RING	2 PER PACKAGE	\$7.50
280 90 DUROMETER O-RING	2 PER PACKAGE	\$7.50
281 90 DUROMETER O-RING	2 PER PACKAGE	\$7.50
282 90 DUROMETER O-RING	2 PER PACKAGE	\$7.50
283 90 DUROMETER O-RING	2 PER PACKAGE	\$7.50
284 90 DUROMETER O-RING	2 PER PACKAGE	\$7.50
325 90 DUROMETER O-RING	12 PER PACKAGE	\$7.50
326 90 DUROMETER O-RING	12 PER PACKAGE	\$7.50
327 90 DUROMETER O-RING	12 PER PACKAGE	\$7.50
328 90 DUROMETER O-RING	12 PER PACKAGE	\$7.50
329 90 DUROMETER O-RING	12 PER PACKAGE	\$7.50
330 90 DUROMETER O-RING	12 PER PACKAGE	\$7.50
331 90 DUROMETER O-RING	12 PER PACKAGE	\$7.50
332 90 DUROMETER O-RING	12 PER PACKAGE	\$7.50
333 90 DUROMETER O-RING	12 PER PACKAGE	\$7.50
334 90 DUROMETER O-RING	10 PER PACKAGE	\$7.50
335 90 DUROMETER O-RING	10 PER PACKAGE	\$7.50
336 90 DUROMETER O-RING	6 PER PACKAGE	\$7.50
337 90 DUROMETER O-RING	6 PER PACKAGE	\$7.50
338 90 DUROMETER O-RING	6 PER PACKAGE	\$7.50

BUNA-N 90 DUROMETER O-RINGS

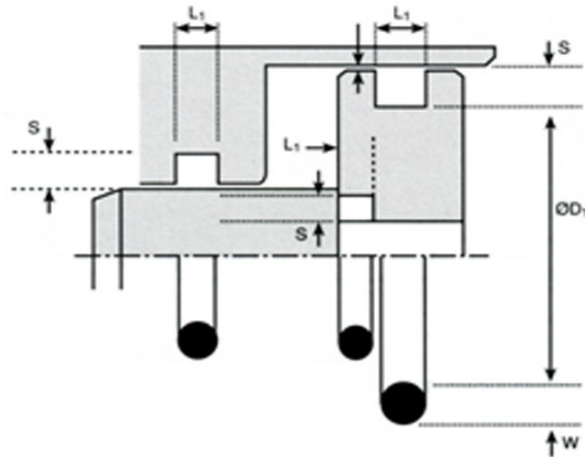
ITEM DESCRIPTION	UNIT OF MEASURE	LIST PRICE
339 90 DUROMETER O-RING	6 PER PACKAGE	\$7.50
340 90 DUROMETER O-RING	6 PER PACKAGE	\$7.50
341 90 DUROMETER O-RING	6 PER PACKAGE	\$7.50
342 90 DUROMETER O-RING	6 PER PACKAGE	\$7.50
343 90 DUROMETER O-RING	6 PER PACKAGE	\$7.50
344 90 DUROMETER O-RING	6 PER PACKAGE	\$7.50
345 90 DUROMETER O-RING	4 PER PACKAGE	\$7.50
346 90 DUROMETER O-RING	4 PER PACKAGE	\$7.50
347 90 DUROMETER O-RING	4 PER PACKAGE	\$7.50
348 90 DUROMETER O-RING	4 PER PACKAGE	\$7.50
349 90 DUROMETER O-RING	4 PER PACKAGE	\$7.50
350 90 DUROMETER O-RING	3 PER PACKAGE	\$7.50
351 90 DUROMETER O-RING	3 PER PACKAGE	\$7.50
352 90 DUROMETER O-RING	3 PER PACKAGE	\$7.50
353 90 DUROMETER O-RING	3 PER PACKAGE	\$7.50
354 90 DUROMETER O-RING	3 PER PACKAGE	\$7.50
355 90 DUROMETER O-RING	3 PER PACKAGE	\$7.50
356 90 DUROMETER O-RING	3 PER PACKAGE	\$7.50
357 90 DUROMETER O-RING	3 PER PACKAGE	\$7.50
358 90 DUROMETER O-RING	3 PER PACKAGE	\$7.50
359 90 DUROMETER O-RING	3 PER PACKAGE	\$7.50
360 90 DUROMETER O-RING	3 PER PACKAGE	\$7.50
361 90 DUROMETER O-RING	3 PER PACKAGE	\$7.50
362 90 DUROMETER O-RING	3 PER PACKAGE	\$7.50
363 90 DUROMETER O-RING	3 PER PACKAGE	\$7.50
364 90 DUROMETER O-RING	3 PER PACKAGE	\$7.50
365 90 DUROMETER O-RING	3 PER PACKAGE	\$7.50
366 90 DUROMETER O-RING	3 PER PACKAGE	\$7.50
367 90 DUROMETER O-RING	3 PER PACKAGE	\$7.50
368 90 DUROMETER O-RING	3 PER PACKAGE	\$7.50
369 90 DUROMETER O-RING	3 PER PACKAGE	\$7.50
370 90 DUROMETER O-RING	3 PER PACKAGE	\$7.50
371 90 DUROMETER O-RING	3 PER PACKAGE	\$7.50
372 90 DUROMETER O-RING	3 PER PACKAGE	\$7.50
373 90 DUROMETER O-RING	3 PER PACKAGE	\$7.50
374 90 DUROMETER O-RING	3 PER PACKAGE	\$7.50
375 90 DUROMETER O-RING	3 PER PACKAGE	\$7.50
376 90 DUROMETER O-RING	3 PER PACKAGE	\$7.50
377 90 DUROMETER O-RING	3 PER PACKAGE	\$7.50
380 90 DUROMETER O-RING	3 PER PACKAGE	\$7.50
386 90 DUROMETER O-RING	3 PER PACKAGE	\$7.50
389 90 DUROMETER O-RING	3 PER PACKAGE	\$7.50
425 90 DUROMETER O-RING	2 PER PACKAGE	\$7.50

BUNA-N 90 DUROMETER O-RINGS

ITEM DESCRIPTION	UNIT OF MEASURE	LIST PRICE
426 90 DUROMETER O-RING	2 PER PACKAGE	\$7.50
427 90 DUROMETER O-RING	2 PER PACKAGE	\$7.50
428 90 DUROMETER O-RING	2 PER PACKAGE	\$7.50
429 90 DUROMETER O-RING	2 PER PACKAGE	\$7.50
430 90 DUROMETER O-RING	2 PER PACKAGE	\$7.50
431 90 DUROMETER O-RING	2 PER PACKAGE	\$7.50
432 90 DUROMETER O-RING	2 PER PACKAGE	\$7.50
433 90 DUROMETER O-RING	2 PER PACKAGE	\$7.50
434 90 DUROMETER O-RING	2 PER PACKAGE	\$7.50
435 90 DUROMETER O-RING	2 PER PACKAGE	\$7.50
436 90 DUROMETER O-RING	2 PER PACKAGE	\$7.50
437 90 DUROMETER O-RING	2 PER PACKAGE	\$7.50
438 90 DUROMETER O-RING	2 PER PACKAGE	\$7.50
439 90 DUROMETER O-RING	2 PER PACKAGE	\$7.50
440 90 DUROMETER O-RING	2 PER PACKAGE	\$7.50
441 90 DUROMETER O-RING	2 PER PACKAGE	\$7.50
442 90 DUROMETER O-RING	2 PER PACKAGE	\$7.50
443 90 DUROMETER O-RING	2 PER PACKAGE	\$7.50
444 90 DUROMETER O-RING	2 PER PACKAGE	\$7.50
445 90 DUROMETER O-RING	2 PER PACKAGE	\$7.50
446 90 DUROMETER O-RING	2 PER PACKAGE	\$7.50
447 90 DUROMETER O-RING	2 PER PACKAGE	\$7.50
448 90 DUROMETER O-RING	2 PER PACKAGE	\$7.50
449 90 DUROMETER O-RING	2 PER PACKAGE	\$7.50
450 90 DUROMETER O-RING	1 PER PACKAGE	\$7.50
451 90 DUROMETER O-RING	1 PER PACKAGE	\$7.50
452 90 DUROMETER O-RING	1 PER PACKAGE	\$7.50
453 90 DUROMETER O-RING	1 PER PACKAGE	\$7.50
454 90 DUROMETER O-RING	1 PER PACKAGE	\$7.50
455 90 DUROMETER O-RING	1 PER PACKAGE	\$7.50
456 90 DUROMETER O-RING	1 PER PACKAGE	\$7.50
457 90 DUROMETER O-RING	1 PER PACKAGE	\$7.50
458 90 DUROMETER O-RING	1 PER PACKAGE	\$7.50
459 90 DUROMETER O-RING	1 PER PACKAGE	\$7.50
460 90 DUROMETER O-RING	1 PER PACKAGE	\$10.90
463 90 DUROMETER O-RING	1 PER PACKAGE	\$7.50
466 90 DUROMETER O-RING	1 PER PACKAGE	\$7.50
467 90 DUROMETER O-RING	1 PER PACKAGE	\$7.50
468 90 DUROMETER O-RING	1 PER PACKAGE	\$7.50
475 90 DUROMETER O-RING	1 PER PACKAGE	\$7.50

We offer quick dependable and friendly

BOSS BUNA 90 DUROMETER O-RINGS

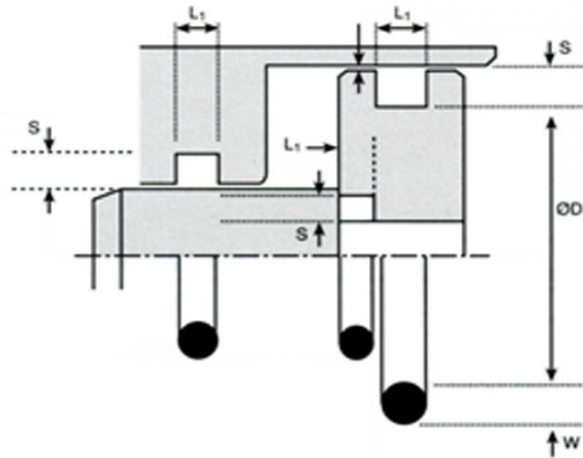


BOSS O-RINGS

ITEM DESCRIPTION	ACTUAL SIZE I.D.	UNIT OF MEASURE	LIST PRICE
901 BOSS O-RING	0.185 ± .005	29 PER PACKAGE	\$7.50
902 BOSS O-RING	0.239 ± .005	29 PER PACKAGE	\$7.50
903 BOSS O-RING	0.301 ± .005	29 PER PACKAGE	\$7.50
904 BOSS O-RING	0.351 ± .005	29 PER PACKAGE	\$7.50
905 BOSS O-RING	0.414 ± .005	29 PER PACKAGE	\$7.50
906 BOSS O-RING	0.468 ± .005	25 PER PACKAGE	\$7.50
907 BOSS O-RING	0.530 ± .007	25 PER PACKAGE	\$7.50
908 BOSS O-RING	0.644 ± .009	25 PER PACKAGE	\$7.50
909 BOSS O-RING	0.706 ± .009	25 PER PACKAGE	\$7.50
910 BOSS O-RING	0.755 ± .009	20 PER PACKAGE	\$7.50
911 BOSS O-RING	0.863 ± .009	19 PER PACKAGE	\$7.50
912 BOSS O-RING	0.924 ± .009	19 PER PACKAGE	\$7.50
913 BOSS O-RING	0.986 ± .010	19 PER PACKAGE	\$7.50
914 BOSS O-RING	1.047 ± .010	12 PER PACKAGE	\$7.50
916 BOSS O-RING	1.171 ± .006	12 PER PACKAGE	\$7.50
918 BOSS O-RING	1.355 ± .012	10 PER PACKAGE	\$7.50
920 BOSS O-RING	1.475 ± .014	10 PER PACKAGE	\$7.50
924 BOSS O-RING	1.720 ± .014	10 PER PACKAGE	\$7.50
928 BOSS O-RING	2.090 ± .018	9 PER PACKAGE	\$7.50
932 BOSS O-RING	2.337 ± .018	8 PER PACKAGE	\$7.50

75-DUROMETER

O-RINGS FLUOROCARBON



75 DUROMETER FLUOROCARBON O-RINGS

ITEM DESCRIPTION	LIST PRICE	UOM
003 FLUOROCARBON 75 DUROMETER O-RING	\$0.23	EACH
004 FLUOROCARBON 75 DUROMETER O-RING	\$0.23	EACH
005 FLUOROCARBON 75 DUROMETER O-RING	\$0.23	EACH
006 FLUOROCARBON 75 DUROMETER O-RING	\$0.23	EACH
007 FLUOROCARBON 75 DUROMETER O-RING	\$0.23	EACH
008 FLUOROCARBON 75 DUROMETER O-RING	\$0.23	EACH
009 FLUOROCARBON 75 DUROMETER O-RING	\$0.23	EACH
010 FLUOROCARBON 75 DUROMETER O-RING	\$0.23	EACH
011 FLUOROCARBON 75 DUROMETER O-RING	\$0.25	EACH
012 FLUOROCARBON 75 DUROMETER O-RING	\$0.25	EACH
013 FLUOROCARBON 75 DUROMETER O-RING	\$0.30	EACH
014 FLUOROCARBON 75 DUROMETER O-RING	\$0.30	EACH
015 FLUOROCARBON 75 DUROMETER O-RING	\$0.35	EACH
016 FLUOROCARBON 75 DUROMETER O-RING	\$0.35	EACH
017 FLUOROCARBON 75 DUROMETER O-RING	\$0.35	EACH
018 FLUOROCARBON 75 DUROMETER O-RING	\$0.35	EACH
019 FLUOROCARBON 75 DUROMETER O-RING	\$0.40	EACH
020 FLUOROCARBON 75 DUROMETER O-RING	\$0.40	EACH
021 FLUOROCARBON 75 DUROMETER O-RING	\$0.40	EACH
022 FLUOROCARBON 75 DUROMETER O-RING	\$0.45	EACH
023 FLUOROCARBON 75 DUROMETER O-RING	\$0.45	EACH
024 FLUOROCARBON 75 DUROMETER O-RING	\$0.55	EACH
025 FLUOROCARBON 75 DUROMETER O-RING	\$0.55	EACH
026 FLUOROCARBON 75 DUROMETER O-RING	\$0.60	EACH
027 FLUOROCARBON 75 DUROMETER O-RING	\$0.65	EACH
028 FLUOROCARBON 75 DUROMETER O-RING	\$0.70	EACH
029 FLUOROCARBON 75 DUROMETER O-RING	\$0.81	EACH
030 FLUOROCARBON 75 DUROMETER O-RING	\$0.86	EACH
031 FLUOROCARBON 75 DUROMETER O-RING	\$0.96	EACH

75 DUROMETER FLUOROCARBON O-RINGS

ITEM DESCRIPTION	LIST PRICE	UOM
032 FLUOROCARBON 75 DUROMETER O-RING	\$1.11	EACH
033 FLUOROCARBON 75 DUROMETER O-RING	\$1.21	EACH
034 FLUOROCARBON 75 DUROMETER O-RING	\$1.21	EACH
035 FLUOROCARBON 75 DUROMETER O-RING	\$1.26	EACH
036 FLUOROCARBON 75 DUROMETER O-RING	\$1.41	EACH
037 FLUOROCARBON 75 DUROMETER O-RING	\$1.46	EACH
038 FLUOROCARBON 75 DUROMETER O-RING	\$1.51	EACH
039 FLUOROCARBON 75 DUROMETER O-RING	\$1.61	EACH
040 FLUOROCARBON 75 DUROMETER O-RING	\$1.66	EACH
041 FLUOROCARBON 75 DUROMETER O-RING	\$1.91	EACH
042 FLUOROCARBON 75 DUROMETER O-RING	\$2.22	EACH
043 FLUOROCARBON 75 DUROMETER O-RING	\$2.42	EACH
044 FLUOROCARBON 75 DUROMETER O-RING	\$2.57	EACH
045 FLUOROCARBON 75 DUROMETER O-RING	\$2.82	EACH
046 FLUOROCARBON 75 DUROMETER O-RING	\$2.92	EACH
047 FLUOROCARBON 75 DUROMETER O-RING	\$3.27	EACH
048 FLUOROCARBON 75 DUROMETER O-RING	\$3.37	EACH
049 FLUOROCARBON 75 DUROMETER O-RING	\$4.43	EACH
050 FLUOROCARBON 75 DUROMETER O-RING	\$4.73	EACH
106 FLUOROCARBON 75 DUROMETER O-RING	\$0.35	EACH
107 FLUOROCARBON 75 DUROMETER O-RING	\$0.35	EACH
108 FLUOROCARBON 75 DUROMETER O-RING	\$0.35	EACH
109 FLUOROCARBON 75 DUROMETER O-RING	\$0.40	EACH
110 FLUOROCARBON 75 DUROMETER O-RING	\$0.40	EACH
111 FLUOROCARBON 75 DUROMETER O-RING	\$0.40	EACH
112 FLUOROCARBON 75 DUROMETER O-RING	\$0.45	EACH
113 FLUOROCARBON 75 DUROMETER O-RING	\$0.45	EACH
114 FLUOROCARBON 75 DUROMETER O-RING	\$0.45	EACH
115 FLUOROCARBON 75 DUROMETER O-RING	\$0.50	EACH
116 FLUOROCARBON 75 DUROMETER O-RING	\$0.55	EACH
117 FLUOROCARBON 75 DUROMETER O-RING	\$0.60	EACH
118 FLUOROCARBON 75 DUROMETER O-RING	\$0.60	EACH
119 FLUOROCARBON 75 DUROMETER O-RING	\$0.65	EACH
120 FLUOROCARBON 75 DUROMETER O-RING	\$0.70	EACH
121 FLUOROCARBON 75 DUROMETER O-RING	\$0.81	EACH
122 FLUOROCARBON 75 DUROMETER O-RING	\$0.86	EACH
123 FLUOROCARBON 75 DUROMETER O-RING	\$0.91	EACH
124 FLUOROCARBON 75 DUROMETER O-RING	\$0.91	EACH
125 FLUOROCARBON 75 DUROMETER O-RING	\$0.96	EACH
126 FLUOROCARBON 75 DUROMETER O-RING	\$1.01	EACH
127 FLUOROCARBON 75 DUROMETER O-RING	\$1.03	EACH

75 DUROMETER FLUOROCARBON O-RINGS

ITEM DESCRIPTION	LIST PRICE	UOM
128 FLUOROCARBON 75 DUROMETER O-RING	\$1.11	EACH
129 FLUOROCARBON 75 DUROMETER O-RING	\$1.13	EACH
130 FLUOROCARBON 75 DUROMETER O-RING	\$1.21	EACH
131 FLUOROCARBON 75 DUROMETER O-RING	\$1.21	EACH
132 FLUOROCARBON 75 DUROMETER O-RING	\$1.26	EACH
133 FLUOROCARBON 75 DUROMETER O-RING	\$1.31	EACH
134 FLUOROCARBON 75 DUROMETER O-RING	\$1.31	EACH
135 FLUOROCARBON 75 DUROMETER O-RING	\$1.36	EACH
136 FLUOROCARBON 75 DUROMETER O-RING	\$1.46	EACH
137 FLUOROCARBON 75 DUROMETER O-RING	\$1.51	EACH
138 FLUOROCARBON 75 DUROMETER O-RING	\$1.56	EACH
139 FLUOROCARBON 75 DUROMETER O-RING	\$1.61	EACH
140 FLUOROCARBON 75 DUROMETER O-RING	\$1.66	EACH
141 FLUOROCARBON 75 DUROMETER O-RING	\$1.71	EACH
142 FLUOROCARBON 75 DUROMETER O-RING	\$1.71	EACH
143 FLUOROCARBON 75 DUROMETER O-RING	\$1.76	EACH
144 FLUOROCARBON 75 DUROMETER O-RING	\$1.76	EACH
145 FLUOROCARBON 75 DUROMETER O-RING	\$1.86	EACH
146 FLUOROCARBON 75 DUROMETER O-RING	\$1.91	EACH
147 FLUOROCARBON 75 DUROMETER O-RING	\$1.96	EACH
148 FLUOROCARBON 75 DUROMETER O-RING	\$2.01	EACH
149 FLUOROCARBON 75 DUROMETER O-RING	\$2.06	EACH
150 FLUOROCARBON 75 DUROMETER O-RING	\$2.22	EACH
151 FLUOROCARBON 75 DUROMETER O-RING	\$2.42	EACH
152 FLUOROCARBON 75 DUROMETER O-RING	\$2.67	EACH
153 FLUOROCARBON 75 DUROMETER O-RING	\$2.92	EACH
154 FLUOROCARBON 75 DUROMETER O-RING	\$3.17	EACH
155 FLUOROCARBON 75 DUROMETER O-RING	\$3.32	EACH
156 FLUOROCARBON 75 DUROMETER O-RING	\$3.68	EACH
157 FLUOROCARBON 75 DUROMETER O-RING	\$4.03	EACH
158 FLUOROCARBON 75 DUROMETER O-RING	\$4.28	EACH
159 FLUOROCARBON 75 DUROMETER O-RING	\$4.68	EACH
160 FLUOROCARBON 75 DUROMETER O-RING	\$5.34	EACH
161 FLUOROCARBON 75 DUROMETER O-RING	\$5.89	EACH
162 FLUOROCARBON 75 DUROMETER O-RING	\$6.34	EACH
163 FLUOROCARBON 75 DUROMETER O-RING	\$6.85	EACH
164 FLUOROCARBON 75 DUROMETER O-RING	\$7.22	EACH
165 FLUOROCARBON 75 DUROMETER O-RING	\$7.95	EACH
166 FLUOROCARBON 75 DUROMETER O-RING	\$8.11	EACH
167 FLUOROCARBON 75 DUROMETER O-RING	\$8.21	EACH
168 FLUOROCARBON 75 DUROMETER O-RING	\$8.61	EACH

75 DUROMETER FLUOROCARBON O-RINGS

ITEM DESCRIPTION	LIST PRICE	UOM
169 FLUOROCARBON 75 DUROMETER O-RING	\$9.11	EACH
170 FLUOROCARBON 75 DUROMETER O-RING	\$9.16	EACH
171 FLUOROCARBON 75 DUROMETER O-RING	\$9.16	EACH
172 FLUOROCARBON 75 DUROMETER O-RING	\$9.21	EACH
173 FLUOROCARBON 75 DUROMETER O-RING	\$9.77	EACH
174 FLUOROCARBON 75 DUROMETER O-RING	\$10.12	EACH
175 FLUOROCARBON 75 DUROMETER O-RING	\$10.47	EACH
204 FLUOROCARBON 75 DUROMETER O-RING	\$0.58	EACH
205 FLUOROCARBON 75 DUROMETER O-RING	\$0.65	EACH
206 FLUOROCARBON 75 DUROMETER O-RING	\$0.76	EACH
207 FLUOROCARBON 75 DUROMETER O-RING	\$0.78	EACH
208 FLUOROCARBON 75 DUROMETER O-RING	\$0.78	EACH
209 FLUOROCARBON 75 DUROMETER O-RING	\$0.81	EACH
210 FLUOROCARBON 75 DUROMETER O-RING	\$0.81	EACH
211 FLUOROCARBON 75 DUROMETER O-RING	\$0.86	EACH
212 FLUOROCARBON 75 DUROMETER O-RING	\$0.91	EACH
213 FLUOROCARBON 75 DUROMETER O-RING	\$1.01	EACH
214 FLUOROCARBON 75 DUROMETER O-RING	\$1.11	EACH
215 FLUOROCARBON 75 DUROMETER O-RING	\$1.16	EACH
216 FLUOROCARBON 75 DUROMETER O-RING	\$1.21	EACH
217 FLUOROCARBON 75 DUROMETER O-RING	\$1.21	EACH
218 FLUOROCARBON 75 DUROMETER O-RING	\$1.31	EACH
219 FLUOROCARBON 75 DUROMETER O-RING	\$1.41	EACH
220 FLUOROCARBON 75 DUROMETER O-RING	\$1.51	EACH
221 FLUOROCARBON 75 DUROMETER O-RING	\$1.51	EACH
222 FLUOROCARBON 75 DUROMETER O-RING	\$1.59	EACH
223 FLUOROCARBON 75 DUROMETER O-RING	\$1.61	EACH
224 FLUOROCARBON 75 DUROMETER O-RING	\$1.86	EACH
225 FLUOROCARBON 75 DUROMETER O-RING	\$2.01	EACH
226 FLUOROCARBON 75 DUROMETER O-RING	\$2.27	EACH
227 FLUOROCARBON 75 DUROMETER O-RING	\$2.42	EACH
228 FLUOROCARBON 75 DUROMETER O-RING	\$2.52	EACH
229 FLUOROCARBON 75 DUROMETER O-RING	\$2.67	EACH
230 FLUOROCARBON 75 DUROMETER O-RING	\$2.77	EACH
231 FLUOROCARBON 75 DUROMETER O-RING	\$3.02	EACH
232 FLUOROCARBON 75 DUROMETER O-RING	\$3.07	EACH
233 FLUOROCARBON 75 DUROMETER O-RING	\$3.22	EACH
234 FLUOROCARBON 75 DUROMETER O-RING	\$3.42	EACH
235 FLUOROCARBON 75 DUROMETER O-RING	\$3.57	EACH
236 FLUOROCARBON 75 DUROMETER O-RING	\$3.73	EACH
237 FLUOROCARBON 75 DUROMETER O-RING	\$3.88	EACH

75 DUROMETER FLUOROCARBON O-RINGS

ITEM DESCRIPTION	LIST PRICE	UOM
238 FLUOROCARBON 75 DUROMETER O-RING	\$4.03	EACH
239 FLUOROCARBON 75 DUROMETER O-RING	\$4.18	EACH
240 FLUOROCARBON 75 DUROMETER O-RING	\$4.28	EACH
241 FLUOROCARBON 75 DUROMETER O-RING	\$4.53	EACH
242 FLUOROCARBON 75 DUROMETER O-RING	\$4.58	EACH
243 FLUOROCARBON 75 DUROMETER O-RING	\$4.83	EACH
244 FLUOROCARBON 75 DUROMETER O-RING	\$5.03	EACH
245 FLUOROCARBON 75 DUROMETER O-RING	\$5.11	EACH
246 FLUOROCARBON 75 DUROMETER O-RING	\$5.34	EACH
247 FLUOROCARBON 75 DUROMETER O-RING	\$5.44	EACH
248 FLUOROCARBON 75 DUROMETER O-RING	\$5.54	EACH
249 FLUOROCARBON 75 DUROMETER O-RING	\$5.69	EACH
250 FLUOROCARBON 75 DUROMETER O-RING	\$6.04	EACH
251 FLUOROCARBON 75 DUROMETER O-RING	\$6.29	EACH
252 FLUOROCARBON 75 DUROMETER O-RING	\$6.70	EACH
253 FLUOROCARBON 75 DUROMETER O-RING	\$6.80	EACH
254 FLUOROCARBON 75 DUROMETER O-RING	\$7.05	EACH
255 FLUOROCARBON 75 DUROMETER O-RING	\$7.35	EACH
256 FLUOROCARBON 75 DUROMETER O-RING	\$7.60	EACH
257 FLUOROCARBON 75 DUROMETER O-RING	\$7.85	EACH
258 FLUOROCARBON 75 DUROMETER O-RING	\$8.06	EACH
259 FLUOROCARBON 75 DUROMETER O-RING	\$8.21	EACH
260 FLUOROCARBON 75 DUROMETER O-RING	\$8.36	EACH
261 FLUOROCARBON 75 DUROMETER O-RING	\$8.61	EACH
262 FLUOROCARBON 75 DUROMETER O-RING	\$9.11	EACH
263 FLUOROCARBON 75 DUROMETER O-RING	\$9.38	EACH
264 FLUOROCARBON 75 DUROMETER O-RING	\$9.64	EACH
265 FLUOROCARBON 75 DUROMETER O-RING	\$9.86	EACH
266 FLUOROCARBON 75 DUROMETER O-RING	\$10.23	EACH
267 FLUOROCARBON 75 DUROMETER O-RING	\$10.57	EACH
268 FLUOROCARBON 75 DUROMETER O-RING	\$10.71	EACH
269 FLUOROCARBON 75 DUROMETER O-RING	\$11.05	EACH
270 FLUOROCARBON 75 DUROMETER O-RING	\$11.29	EACH
271 FLUOROCARBON 75 DUROMETER O-RING	\$11.77	EACH
272 FLUOROCARBON 75 DUROMETER O-RING	\$13.35	EACH
273 FLUOROCARBON 75 DUROMETER O-RING	\$13.81	EACH
274 FLUOROCARBON 75 DUROMETER O-RING	\$14.60	EACH
275 FLUOROCARBON 75 DUROMETER O-RING	\$14.79	EACH
276 FLUOROCARBON 75 DUROMETER O-RING	\$14.99	EACH
277 FLUOROCARBON 75 DUROMETER O-RING	\$15.38	EACH
278 FLUOROCARBON 75 DUROMETER O-RING	\$15.58	EACH

75 DUROMETER FLUOROCARBON O-RINGS

ITEM DESCRIPTION	LIST PRICE	UOM
279 FLUOROCARBON 75 DUROMETER O-RING	\$17.57	EACH
280 FLUOROCARBON 75 DUROMETER O-RING	\$17.57	EACH
281 FLUOROCARBON 75 DUROMETER O-RING	\$18.28	EACH
282 FLUOROCARBON 75 DUROMETER O-RING	\$19.23	EACH
283 FLUOROCARBON 75 DUROMETER O-RING	\$19.89	EACH
284 FLUOROCARBON 75 DUROMETER O-RING	\$21.15	EACH
314 FLUOROCARBON 75 DUROMETER O-RING	\$1.66	EACH
315 FLUOROCARBON 75 DUROMETER O-RING	\$1.66	EACH
316 FLUOROCARBON 75 DUROMETER O-RING	\$2.37	EACH
317 FLUOROCARBON 75 DUROMETER O-RING	\$2.42	EACH
318 FLUOROCARBON 75 DUROMETER O-RING	\$2.47	EACH
319 FLUOROCARBON 75 DUROMETER O-RING	\$2.52	EACH
320 FLUOROCARBON 75 DUROMETER O-RING	\$2.54	EACH
321 FLUOROCARBON 75 DUROMETER O-RING	\$2.58	EACH
322 FLUOROCARBON 75 DUROMETER O-RING	\$2.58	EACH
323 FLUOROCARBON 75 DUROMETER O-RING	\$2.92	EACH
324 FLUOROCARBON 75 DUROMETER O-RING	\$3.07	EACH
325 FLUOROCARBON 75 DUROMETER O-RING	\$3.27	EACH
326 FLUOROCARBON 75 DUROMETER O-RING	\$3.37	EACH
327 FLUOROCARBON 75 DUROMETER O-RING	\$3.57	EACH
328 FLUOROCARBON 75 DUROMETER O-RING	\$3.83	EACH
329 FLUOROCARBON 75 DUROMETER O-RING	\$4.08	EACH
330 FLUOROCARBON 75 DUROMETER O-RING	\$4.33	EACH
331 FLUOROCARBON 75 DUROMETER O-RING	\$4.83	EACH
332 FLUOROCARBON 75 DUROMETER O-RING	\$5.03	EACH
333 FLUOROCARBON 75 DUROMETER O-RING	\$5.03	EACH
334 FLUOROCARBON 75 DUROMETER O-RING	\$5.03	EACH
335 FLUOROCARBON 75 DUROMETER O-RING	\$5.03	EACH
336 FLUOROCARBON 75 DUROMETER O-RING	\$5.49	EACH
337 FLUOROCARBON 75 DUROMETER O-RING	\$5.84	EACH
338 FLUOROCARBON 75 DUROMETER O-RING	\$6.24	EACH
339 FLUOROCARBON 75 DUROMETER O-RING	\$6.75	EACH
340 FLUOROCARBON 75 DUROMETER O-RING	\$7.15	EACH
341 FLUOROCARBON 75 DUROMETER O-RING	\$7.35	EACH
342 FLUOROCARBON 75 DUROMETER O-RING	\$7.65	EACH
343 FLUOROCARBON 75 DUROMETER O-RING	\$7.80	EACH
344 FLUOROCARBON 75 DUROMETER O-RING	\$8.11	EACH
345 FLUOROCARBON 75 DUROMETER O-RING	\$8.36	EACH
346 FLUOROCARBON 75 DUROMETER O-RING	\$8.76	EACH
347 FLUOROCARBON 75 DUROMETER O-RING	\$8.81	EACH
348 FLUOROCARBON 75 DUROMETER O-RING	\$9.06	EACH

75 DUROMETER FLUOROCARBON O-RINGS

ITEM DESCRIPTION	LIST PRICE	UOM
349 FLUOROCARBON 75 DUROMETER O-RING	\$9.52	EACH
350 FLUOROCARBON 75 DUROMETER O-RING	\$9.67	EACH
351 FLUOROCARBON 75 DUROMETER O-RING	\$10.07	EACH
352 FLUOROCARBON 75 DUROMETER O-RING	\$10.42	EACH
353 FLUOROCARBON 75 DUROMETER O-RING	\$10.67	EACH
354 FLUOROCARBON 75 DUROMETER O-RING	\$10.87	EACH
355 FLUOROCARBON 75 DUROMETER O-RING	\$11.28	EACH
356 FLUOROCARBON 75 DUROMETER O-RING	\$12.64	EACH
357 FLUOROCARBON 75 DUROMETER O-RING	\$12.69	EACH
358 FLUOROCARBON 75 DUROMETER O-RING	\$14.00	EACH
359 FLUOROCARBON 75 DUROMETER O-RING	\$14.15	EACH
360 FLUOROCARBON 75 DUROMETER O-RING	\$14.35	EACH
361 FLUOROCARBON 75 DUROMETER O-RING	\$14.90	EACH
362 FLUOROCARBON 75 DUROMETER O-RING	\$15.51	EACH
363 FLUOROCARBON 75 DUROMETER O-RING	\$16.06	EACH
364 FLUOROCARBON 75 DUROMETER O-RING	\$16.36	EACH
365 FLUOROCARBON 75 DUROMETER O-RING	\$16.61	EACH
366 FLUOROCARBON 75 DUROMETER O-RING	\$17.42	EACH
367 FLUOROCARBON 75 DUROMETER O-RING	\$19.84	EACH
368 FLUOROCARBON 75 DUROMETER O-RING	\$20.72	EACH
369 FLUOROCARBON 75 DUROMETER O-RING	\$20.97	EACH
370 FLUOROCARBON 75 DUROMETER O-RING	\$21.35	EACH
371 FLUOROCARBON 75 DUROMETER O-RING	\$21.78	EACH
372 FLUOROCARBON 75 DUROMETER O-RING	\$22.40	EACH
373 FLUOROCARBON 75 DUROMETER O-RING	\$23.26	EACH
374 FLUOROCARBON 75 DUROMETER O-RING	\$23.51	EACH
375 FLUOROCARBON 75 DUROMETER O-RING	\$24.07	EACH
376 FLUOROCARBON 75 DUROMETER O-RING	\$24.32	EACH
377 FLUOROCARBON 75 DUROMETER O-RING	\$26.33	EACH
378 FLUOROCARBON 75 DUROMETER O-RING	\$28.30	EACH
379 FLUOROCARBON 75 DUROMETER O-RING	\$31.01	EACH
380 FLUOROCARBON 75 DUROMETER O-RING	\$31.39	EACH
381 FLUOROCARBON 75 DUROMETER O-RING	\$31.47	EACH
382 FLUOROCARBON 75 DUROMETER O-RING	\$33.38	EACH
383 FLUOROCARBON 75 DUROMETER O-RING	\$36.60	EACH
384 FLUOROCARBON 75 DUROMETER O-RING	\$37.06	EACH
385 FLUOROCARBON 75 DUROMETER O-RING	\$40.28	EACH
386 FLUOROCARBON 75 DUROMETER O-RING	\$45.56	EACH
387 FLUOROCARBON 75 DUROMETER O-RING	\$46.02	EACH
413 FLUOROCARBON 75 DUROMETER O-RING	\$11.83	EACH
425 FLUOROCARBON 75 DUROMETER O-RING	\$11.83	EACH

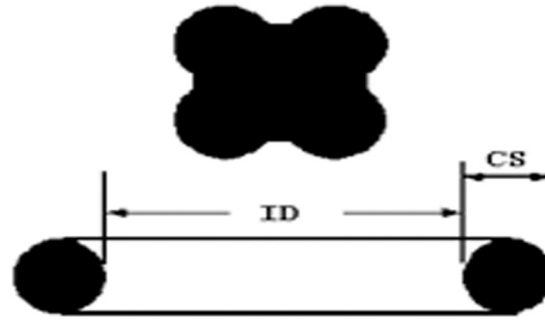
75 DUROMETER FLUOROCARBON O-RINGS

ITEM DESCRIPTION	LIST PRICE	UOM
426 FLUOROCARBON 75 DUROMETER O-RING	\$12.59	EACH
427 FLUOROCARBON 75 DUROMETER O-RING	\$14.35	EACH
428 FLUOROCARBON 75 DUROMETER O-RING	\$14.60	EACH
429 FLUOROCARBON 75 DUROMETER O-RING	\$15.31	EACH
430 FLUOROCARBON 75 DUROMETER O-RING	\$15.56	EACH
431 FLUOROCARBON 75 DUROMETER O-RING	\$16.06	EACH
432 FLUOROCARBON 75 DUROMETER O-RING	\$16.31	EACH
433 FLUOROCARBON 75 DUROMETER O-RING	\$16.82	EACH
434 FLUOROCARBON 75 DUROMETER O-RING	\$17.02	EACH
435 FLUOROCARBON 75 DUROMETER O-RING	\$17.27	EACH
436 FLUOROCARBON 75 DUROMETER O-RING	\$17.77	EACH
437 FLUOROCARBON 75 DUROMETER O-RING	\$18.02	EACH
438 FLUOROCARBON 75 DUROMETER O-RING	\$18.28	EACH
439 FLUOROCARBON 75 DUROMETER O-RING	\$18.78	EACH
440 FLUOROCARBON 75 DUROMETER O-RING	\$19.23	EACH
441 FLUOROCARBON 75 DUROMETER O-RING	\$21.25	EACH
442 FLUOROCARBON 75 DUROMETER O-RING	\$22.00	EACH
443 FLUOROCARBON 75 DUROMETER O-RING	\$23.97	EACH
444 FLUOROCARBON 75 DUROMETER O-RING	\$24.72	EACH
445 FLUOROCARBON 75 DUROMETER O-RING	\$26.99	EACH
446 FLUOROCARBON 75 DUROMETER O-RING	\$27.44	EACH
447 FLUOROCARBON 75 DUROMETER O-RING	\$27.94	EACH
448 FLUOROCARBON 75 DUROMETER O-RING	\$28.70	EACH
449 FLUOROCARBON 75 DUROMETER O-RING	\$30.16	EACH
450 FLUOROCARBON 75 DUROMETER O-RING	\$32.62	EACH
451 FLUOROCARBON 75 DUROMETER O-RING	\$33.33	EACH
452 FLUOROCARBON 75 DUROMETER O-RING	\$34.34	EACH
453 FLUOROCARBON 75 DUROMETER O-RING	\$36.30	EACH
454 FLUOROCARBON 75 DUROMETER O-RING	\$37.31	EACH
455 FLUOROCARBON 75 DUROMETER O-RING	\$38.52	EACH
456 FLUOROCARBON 75 DUROMETER O-RING	\$39.98	EACH
457 FLUOROCARBON 75 DUROMETER O-RING	\$41.49	EACH
458 FLUOROCARBON 75 DUROMETER O-RING	\$43.45	EACH
459 FLUOROCARBON 75 DUROMETER O-RING	\$45.16	EACH
460 FLUOROCARBON 75 DUROMETER O-RING	\$46.62	EACH
461 FLUOROCARBON 75 DUROMETER O-RING	\$49.59	EACH
462 FLUOROCARBON 75 DUROMETER O-RING	\$53.05	EACH
463 FLUOROCARBON 75 DUROMETER O-RING	\$55.03	EACH
464 FLUOROCARBON 75 DUROMETER O-RING	\$57.80	EACH
465 FLUOROCARBON 75 DUROMETER O-RING	\$61.02	EACH
466 FLUOROCARBON 75 DUROMETER O-RING	\$61.73	EACH

75 DUROMETER FLUOROCARBON O-RINGS		
ITEM DESCRIPTION	LIST PRICE	UOM
467 FLUOROCARBON 75 DUROMETER O-RING	\$66.71	EACH
468 FLUOROCARBON 75 DUROMETER O-RING	\$69.18	EACH
469 FLUOROCARBON 75 DUROMETER O-RING	\$69.23	EACH
470 FLUOROCARBON 75 DUROMETER O-RING	\$73.00	EACH
471 FLUOROCARBON 75 DUROMETER O-RING	\$75.37	EACH
472 FLUOROCARBON 75 DUROMETER O-RING	\$78.77	EACH
473 FLUOROCARBON 75 DUROMETER O-RING	\$81.56	EACH
474 FLUOROCARBON 75 DUROMETER O-RING	\$83.96	EACH
475 FLUOROCARBON 75 DUROMETER O-RING	\$95.06	EACH

**QUALITY AND
RELIABLE
SERVICE! LOW
SHIPPING COSTS!**

QUAD STYLE BUNA 70 DUROMETER O-RINGS



BUNA 70 DUROMETER QUAD RINGS

ITEM DESCRIPTION	LIST PRICE	UOM
006 QUAD RING	\$0.29	EACH
007 QUAD RING	\$0.29	EACH
008 QUAD RING	\$0.29	EACH
009 QUAD RING	\$0.29	EACH
010 QUAD RING	\$0.29	EACH
011 QUAD RING	\$0.29	EACH
012 QUAD RING	\$0.29	EACH
013 QUAD RING	\$0.29	EACH
014 QUAD RING	\$0.39	EACH
015 QUAD RING	\$0.39	EACH
016 QUAD RING	\$0.68	EACH
017 QUAD RING	\$0.68	EACH
018 QUAD RING	\$0.68	EACH
019 QUAD RING	\$0.68	EACH
020 QUAD RING	\$0.68	EACH
021 QUAD RING	\$0.68	EACH
022 QUAD RING	\$0.68	EACH
027 QUAD RING	\$0.68	EACH
028 QUAD RING	\$0.68	EACH
034 QUAD RING	\$1.27	EACH
037 QUAD RING	\$1.75	EACH
042 QUAD RING	\$1.85	EACH
110 QUAD RING	\$0.34	EACH
111 QUAD RING	\$0.34	EACH
112 QUAD RING	\$0.39	EACH
113 QUAD RING	\$0.39	EACH
114 QUAD RING	\$0.39	EACH
115 QUAD RING	\$0.39	EACH
116 QUAD RING	\$0.39	EACH
117 QUAD RING	\$0.44	EACH
118 QUAD RING	\$0.44	EACH
119 QUAD RING	\$0.68	EACH

BUNA 70 DUROMETER QUAD RINGS

ITEM DESCRIPTION	LIST PRICE	UOM
120 QUAD RING	\$0.68	EACH
121 QUAD RING	\$0.68	EACH
122 QUAD RING	\$0.68	EACH
123 QUAD RING	\$0.73	EACH
124 QUAD RING	\$0.73	EACH
125 QUAD RING	\$0.73	EACH
126 QUAD RING	\$0.78	EACH
127 QUAD RING	\$0.78	EACH
128 QUAD RING	\$0.83	EACH
129 QUAD RING	\$0.88	EACH
130 QUAD RING	\$1.17	EACH
132 QUAD RING	\$1.27	EACH
145 QUAD RING	\$2.10	EACH
162 QUAD RING	\$10.63	EACH
167 QUAD RING	\$11.84	EACH
206 QUAD RING	\$0.49	EACH
207 QUAD RING	\$0.49	EACH
208 QUAD RING	\$0.49	EACH
209 QUAD RING	\$0.49	EACH
210 QUAD RING	\$0.58	EACH
211 QUAD RING	\$0.78	EACH
212 QUAD RING	\$0.78	EACH
213 QUAD RING	\$0.78	EACH
214 QUAD RING	\$0.83	EACH
215 QUAD RING	\$0.88	EACH
216 QUAD RING	\$0.93	EACH
217 QUAD RING	\$0.97	EACH
218 QUAD RING	\$1.02	EACH
219 QUAD RING	\$1.07	EACH
220 QUAD RING	\$1.12	EACH
221 QUAD RING	\$1.17	EACH
222 QUAD RING	\$1.27	EACH
223 QUAD RING	\$1.41	EACH
224 QUAD RING	\$1.56	EACH
225 QUAD RING	\$1.61	EACH
226 QUAD RING	\$1.66	EACH
227 QUAD RING	\$1.66	EACH
228 QUAD RING	\$1.75	EACH
229 QUAD RING	\$1.85	EACH
230 QUAD RING	\$1.95	EACH
231 QUAD RING	\$2.83	EACH
232 QUAD RING	\$2.83	EACH
233 QUAD RING	\$2.97	EACH

BUNA 70 DUROMETER QUAD RINGS

ITEM DESCRIPTION	LIST PRICE	UOM
234 QUAD RING	\$3.02	EACH
235 QUAD RING	\$3.07	EACH
236 QUAD RING	\$3.12	EACH
238 QUAD RING	\$3.41	EACH
240 QUAD RING	\$5.85	EACH
242 QUAD RING	\$5.90	EACH
244 QUAD RING	\$6.00	EACH
252 QUAD RING	\$6.53	EACH
254 QUAD RING	\$6.82	EACH
255 QUAD RING	\$6.82	EACH
256 QUAD RING	\$6.92	EACH
257 QUAD RING	\$7.02	EACH
258 QUAD RING	\$7.12	EACH
265 QUAD RING	\$11.70	EACH
267 QUAD RING	\$6.19	EACH
268 QUAD RING	\$12.09	EACH
316 QUAD RING	\$1.12	EACH
317 QUAD RING	\$1.17	EACH
318 QUAD RING	\$1.20	EACH
322 QUAD RING	\$1.32	EACH
325 QUAD RING	\$1.75	EACH
326 QUAD RING	\$2.00	EACH
327 QUAD RING	\$2.00	EACH
328 QUAD RING	\$2.05	EACH
329 QUAD RING	\$2.29	EACH
330 QUAD RING	\$2.44	EACH
331 QUAD RING	\$3.46	EACH
332 QUAD RING	\$3.56	EACH
333 QUAD RING	\$3.66	EACH
334 QUAD RING	\$3.70	EACH
335 QUAD RING	\$3.75	EACH
336 QUAD RING	\$3.80	EACH
337 QUAD RING	\$3.80	EACH
338 QUAD RING	\$3.90	EACH
339 QUAD RING	\$3.95	EACH
340 QUAD RING	\$4.34	EACH
341 QUAD RING	\$7.12	EACH
342 QUAD RING	\$7.12	EACH
343 QUAD RING	\$7.12	EACH
344 QUAD RING	\$9.60	EACH
345 QUAD RING	\$9.60	EACH
346 QUAD RING	\$9.60	EACH
347 QUAD RING	\$12.23	EACH

BUNA 70 DUROMETER QUAD RINGS

ITEM DESCRIPTION	LIST PRICE	UOM
348 QUAD RING	\$12.28	EACH
349 QUAD RING	\$12.38	EACH
356 QUAD RING	\$14.14	EACH
360 QUAD RING	\$14.14	EACH
362 QUAD RING	\$14.84	EACH
425 QUAD RING	\$13.84	EACH
426 QUAD RING	\$13.99	EACH
427 QUAD RING	\$14.14	EACH
428 QUAD RING	\$14.23	EACH
429 QUAD RING	\$14.33	EACH
430 QUAD RING	\$14.38	EACH
431 QUAD RING	\$14.43	EACH
432 QUAD RING	\$14.53	EACH
433 QUAD RING	\$14.62	EACH
438 QUAD RING	\$16.57	EACH
439 QUAD RING	\$18.04	EACH
445 QUAD RING	\$26.71	EACH
453 QUAD RING	\$27.62	EACH

LATHE-CUT SQUARE

BUNA 70 DUROMETER



LATHE-CUT SQUARE O-RINGS

ITEM DESCRIPTION	LIST PRICE	UOM
014 LATHE CUT O-RING	\$0.55	EACH
016 LATHE CUT O-RING	\$0.55	EACH
018 LATHE CUT O-RING	\$0.55	EACH
019 LATHE CUT O-RING	\$0.55	EACH
020 LATHE CUT O-RING	\$0.55	EACH
022 LATHE CUT O-RING	\$0.55	EACH
024 LATHE CUT O-RING	\$0.55	EACH
026 LATHE CUT O-RING	\$0.55	EACH
028 LATHE CUT O-RING	\$0.55	EACH
044 LATHE CUT O-RING	\$1.46	EACH
045 LATHE CUT O-RING	\$1.46	EACH
115 LATHE CUT O-RING	\$1.09	EACH
116 LATHE CUT O-RING	\$1.09	EACH
117 LATHE CUT O-RING	\$1.09	EACH
119 LATHE CUT O-RING	\$1.09	EACH
120 LATHE CUT O-RING	\$1.09	EACH
121 LATHE CUT O-RING	\$1.09	EACH
122 LATHE CUT O-RING	\$1.09	EACH
123 LATHE CUT O-RING	\$1.09	EACH
124 LATHE CUT O-RING	\$1.09	EACH
125 LATHE CUT O-RING	\$1.09	EACH
125 LATHE CUT O-RING 90D	\$1.37	EACH
127 LATHE CUT O-RING	\$1.09	EACH
128 LATHE CUT O-RING	\$1.09	EACH
128 LATHE CUT O-RING 90D	\$1.37	EACH
129 LATHE CUT O-RING	\$1.46	EACH
129 LATHE CUT O-RING 90D	\$2.73	EACH
131 LATHE CUT O-RING	\$1.46	EACH
132 LATHE CUT O-RING	\$1.46	EACH
133 LATHE CUT O-RING	\$1.46	EACH
133 LATHE CUT O-RING 90D	\$2.73	EACH
135 LATHE CUT O-RING	\$1.46	EACH
138 LATHE CUT O-RING	\$2.73	EACH
138 LATHE CUT O-RING 90D	\$1.46	EACH
139 LATHE CUT O-RING	\$1.46	EACH
142 LATHE CUT O-RING	\$1.82	EACH
143 LATHE CUT O-RING	\$1.82	EACH

LATHE-CUT SQUARE O-RINGS

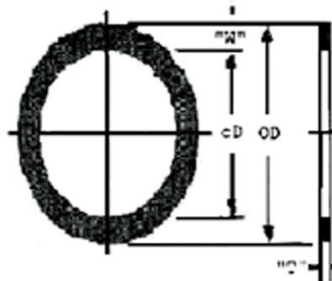
ITEM DESCRIPTION	LIST PRICE	UOM
144 LATHE CUT O-RING	\$1.82	EACH
145 LATHE CUT O-RING	\$1.82	EACH
151 LATHE CUT O-RING	\$1.82	EACH
155 LATHE CUT O-RING	\$2.73	EACH
156 LATHE CUT O-RING	\$2.73	EACH
159 LATHE CUT O-RING	\$3.65	EACH
165 LATHE CUT O-RING	\$3.65	EACH
166 LATHE CUT O-RING	\$3.65	EACH
214 LATHE CUT O-RING	\$1.82	EACH
216 LATHE CUT O-RING	\$1.82	EACH
217 LATHE CUT O-RING	\$1.82	EACH
218 LATHE CUT O-RING	\$1.82	EACH
219 LATHE CUT O-RING	\$1.82	EACH
220 LATHE CUT O-RING	\$1.82	EACH
221 LATHE CUT O-RING	\$1.82	EACH
225 LATHE CUT O-RING	\$2.19	EACH
226 LATHE CUT O-RING	\$2.19	EACH
227 LATHE CUT O-RING	\$2.19	EACH
229 LATHE CUT O-RING	\$2.55	EACH
231 LATHE CUT O-RING	\$2.55	EACH
232 LATHE CUT O-RING	\$2.55	EACH
233 LATHE CUT O-RING	\$2.55	EACH
235 LATHE CUT O-RING	\$2.92	EACH
237 LATHE CUT O-RING	\$2.92	EACH
238 LATHE CUT O-RING	\$2.92	EACH
239 LATHE CUT O-RING	\$3.28	EACH
240 LATHE CUT O-RING	\$3.28	EACH
241 LATHE CUT O-RING	\$3.28	EACH
242 LATHE CUT O-RING	\$3.28	EACH
243 LATHE CUT O-RING	\$3.65	EACH
244 LATHE CUT O-RING	\$3.65	EACH
245 LATHE CUT O-RING	\$3.65	EACH
247 LATHE CUT O-RING	\$4.01	EACH
248 LATHE CUT O-RING	\$4.01	EACH
249 LATHE CUT O-RING	\$4.01	EACH
251 LATHE CUT O-RING	\$4.37	EACH
252 LATHE CUT O-RING	\$4.37	EACH
253 LATHE CUT O-RING	\$4.37	EACH
257 LATHE CUT O-RING	\$4.74	EACH
262 LATHE CUT O-RING	\$5.47	EACH
264 LATHE CUT O-RING	\$5.47	EACH
268 LATHE CUT O-RING	\$7.29	EACH
270 LATHE CUT O-RING	\$7.29	EACH

LATHE-CUT SQUARE O-RINGS

ITEM DESCRIPTION	LIST PRICE	UOM
324 LATHE CUT O-RING	\$2.55	EACH
325 LATHE CUT O-RING	\$2.55	EACH
330 LATHE CUT O-RING	\$3.28	EACH
333 LATHE CUT O-RING	\$3.28	EACH
334 LATHE CUT O-RING	\$3.28	EACH
335 LATHE CUT O-RING	\$3.28	EACH
337 LATHE CUT O-RING	\$3.28	EACH
338 LATHE CUT O-RING	\$3.28	EACH
339 LATHE CUT O-RING	\$3.28	EACH
341 LATHE CUT O-RING	\$4.37	EACH
342 LATHE CUT O-RING	\$5.10	EACH
343 LATHE CUT O-RING	\$5.10	EACH
344 LATHE CUT O-RING	\$5.10	EACH
345 LATHE CUT O-RING	\$5.10	EACH
347 LATHE CUT O-RING	\$6.20	EACH
349 LATHE CUT O-RING	\$6.20	EACH
351 LATHE CUT O-RING	\$6.56	EACH
352 LATHE CUT O-RING	\$6.56	EACH
355 LATHE CUT O-RING	\$6.56	EACH
357 LATHE CUT O-RING	\$7.29	EACH
359 LATHE CUT O-RING	\$7.29	EACH
362 LATHE CUT O-RING	\$8.75	EACH
363 LATHE CUT O-RING	\$12.04	EACH
365 LATHE CUT O-RING	\$8.75	EACH
425 LATHE CUT O-RING	\$9.84	EACH
427 LATHE CUT O-RING	\$9.84	EACH
429 LATHE CUT O-RING	\$9.84	EACH
431 LATHE CUT O-RING	\$9.84	EACH
433 LATHE CUT O-RING	\$10.57	EACH
435 LATHE CUT O-RING	\$11.30	EACH
438 LATHE CUT O-RING	\$11.30	EACH
439 LATHE CUT O-RING	\$11.30	EACH
440 LATHE CUT O-RING	\$11.30	EACH
442 LATHE CUT O-RING	\$11.30	EACH
443 LATHE CUT O-RING	\$11.30	EACH
444 LATHE CUT O-RING	\$11.30	EACH
445 LATHE CUT O-RING	\$11.30	EACH
446 LATHE CUT O-RING	\$11.30	EACH
447 LATHE CUT O-RING	\$11.30	EACH

BACK-UP RINGS

NITRILE 90 DUROMETER



NITRILE CONTOURED BACK-UP RINGS

ITEM DESCRIPTION	I.D. X C.S.	UNIT OF MEASURE	LIST PRICE
002 - BACK UP 90 DUROMETER	.046 X .046	9 PER PACKAGE	\$7.50
003 - BACK UP 90 DUROMETER	.062 X .062	9 PER PACKAGE	\$7.50
004 - BACK UP 90 DUROMETER	.078 X .062	9 PER PACKAGE	\$7.50
005 - BACK UP 90 DUROMETER	.093 X .062	9 PER PACKAGE	\$7.50
006 - BACK UP 90 DUROMETER	.125 X .062	9 PER PACKAGE	\$7.50
007 - BACK UP 90 DUROMETER	.156 X .062	9 PER PACKAGE	\$7.50
008 - BACK UP 90 DUROMETER	.187 X .062	9 PER PACKAGE	\$7.50
009 - BACK UP 90 DUROMETER	.218 X .062	9 PER PACKAGE	\$7.50
010 - BACK UP 90 DUROMETER	.250 X .062	9 PER PACKAGE	\$7.50
011 - BACK UP 90 DUROMETER	.312 X .062	12 PER PACKAGE	\$7.50
012 - BACK UP 90 DUROMETER	.375 X .062	12 PER PACKAGE	\$7.50
013 - BACK UP 90 DUROMETER	.437 X .062	12 PER PACKAGE	\$7.50
014 - BACK UP 90 DUROMETER	.500 X .062	12 PER PACKAGE	\$7.50
015 - BACK UP 90 DUROMETER	.562 X .062	12 PER PACKAGE	\$7.50
016 - BACK UP 90 DUROMETER	.625 X .062	10 PER PACKAGE	\$7.50
017 - BACK UP 90 DUROMETER	.687 X .062	10 PER PACKAGE	\$7.50
018 - BACK UP 90 DUROMETER	.750 X .062	10 PER PACKAGE	\$7.50
019 - BACK UP 90 DUROMETER	.812 X .062	10 PER PACKAGE	\$7.50
020 - BACK UP 90 DUROMETER	.875 X .062	11 PER PACKAGE	\$7.50
021 - BACK UP 90 DUROMETER	.937 X .062	11 PER PACKAGE	\$7.50
022 - BACK UP 90 DUROMETER	1.000 X .062	10 PER PACKAGE	\$7.50
023 - BACK UP 90 DUROMETER	1.062 X .062	10 PER PACKAGE	\$7.50
024 - BACK UP 90 DUROMETER	1.125 X .062	10 PER PACKAGE	\$7.50
025 - BACK UP 90 DUROMETER	1.187 X .062	10 PER PACKAGE	\$7.50
026 - BACK UP 90 DUROMETER	1.250 X .062	9 PER PACKAGE	\$7.50
027 - BACK UP 90 DUROMETER	1.312 X .062	9 PER PACKAGE	\$7.50
028 - BACK UP 90 DUROMETER	1.375 X .062	9 PER PACKAGE	\$7.50
029 - BACK UP 90 DUROMETER	1.500 X .062	9 PER PACKAGE	\$7.50
030 - BACK UP 90 DUROMETER	1.625 X .062	9 PER PACKAGE	\$7.50
031 - BACK UP 90 DUROMETER	1.750 X .062	9 PER PACKAGE	\$7.50
032 - BACK UP 90 DUROMETER	1.875 X .062	9 PER PACKAGE	\$7.50
033 - BACK UP 90 DUROMETER	2.000 X .062	9 PER PACKAGE	\$7.50
034 - BACK UP 90 DUROMETER	2.125 X .062	9 PER PACKAGE	\$7.50
035 - BACK UP 90 DUROMETER	2.250 X .062	9 PER PACKAGE	\$7.50

NITRILE CONTOURED BACK-UP RINGS

ITEM DESCRIPTION	I.D. X C.S.	UNIT OF MEASURE	LIST PRICE
036 - BACK UP 90 DUROMETER	2.375 X .062	9 PER PACKAGE	\$7.50
037 - BACK UP 90 DUROMETER	2.500 X .062	9 PER PACKAGE	\$7.50
038 - BACK UP 90 DUROMETER	2.625 X .062	9 PER PACKAGE	\$7.50
039 - BACK UP 90 DUROMETER	2.750 X .062	9 PER PACKAGE	\$7.50
040 - BACK UP 90 DUROMETER	2.875 X .062	9 PER PACKAGE	\$7.50
041 - BACK UP 90 DUROMETER	3.000 X .062	4 PER PACKAGE	\$7.50
042 - BACK UP 90 DUROMETER	3.250 X .062	4 PER PACKAGE	\$7.50
043 - BACK UP 90 DUROMETER	3.500 X .062	3 PER PACKAGE	\$7.50
044 - BACK UP 90 DUROMETER	3.750 X .062	3 PER PACKAGE	\$7.50
045 - BACK UP 90 DUROMETER	4.000 X .062	2 PER PACKAGE	\$7.50
046 - BACK UP 90 DUROMETER	4.250 X .062	2 PER PACKAGE	\$7.50
047 - BACK UP 90 DUROMETER	4.500 X .062	2 PER PACKAGE	\$7.50
048 - BACK UP 90 DUROMETER	4.750 X .062	2 PER PACKAGE	\$7.50
049 - BACK UP 90 DUROMETER	5.000 X .062	2 PER PACKAGE	\$7.50
050 - BACK UP 90 DUROMETER	5.250 X .062	2 PER PACKAGE	\$7.50
102 - BACK UP 90 DUROMETER	.062 X .093	10 PER PACKAGE	\$7.50
103 - BACK UP 90 DUROMETER	.093 X .093	10 PER PACKAGE	\$7.50
104 - BACK UP 90 DUROMETER	.125 X .093	10 PER PACKAGE	\$7.50
105 - BACK UP 90 DUROMETER	.156 X .093	10 PER PACKAGE	\$7.50
106 - BACK UP 90 DUROMETER	.187 X .093	10 PER PACKAGE	\$7.50
107 - BACK UP 90 DUROMETER	.218 X .093	10 PER PACKAGE	\$7.50
108 - BACK UP 90 DUROMETER	.250 X .093	10 PER PACKAGE	\$7.50
109 - BACK UP 90 DUROMETER	.312 X .093	10 PER PACKAGE	\$7.50
110 - BACK UP 90 DUROMETER	.375 X .093	11 PER PACKAGE	\$7.50
111 - BACK UP 90 DUROMETER	.437 X .093	11 PER PACKAGE	\$7.50
112 - BACK UP 90 DUROMETER	.500 X .093	11 PER PACKAGE	\$7.50
113 - BACK UP 90 DUROMETER	.562 X .093	11 PER PACKAGE	\$7.50
114 - BACK UP 90 DUROMETER	.625 X .093	12 PER PACKAGE	\$7.50
115 - BACK UP 90 DUROMETER	.687 X .093	12 PER PACKAGE	\$7.50
116 - BACK UP 90 DUROMETER	.750 X .093	12 PER PACKAGE	\$7.50
117 - BACK UP 90 DUROMETER	.812 X .093	11 PER PACKAGE	\$7.50
118 - BACK UP 90 DUROMETER	.875 X .093	11 PER PACKAGE	\$7.50
119 - BACK UP 90 DUROMETER	.937 X .093	11 PER PACKAGE	\$7.50
120 - BACK UP 90 DUROMETER	1.000 X .093	11 PER PACKAGE	\$7.50
121 - BACK UP 90 DUROMETER	1.062 X .093	11 PER PACKAGE	\$7.50
122 - BACK UP 90 DUROMETER	1.125 X .093	11 PER PACKAGE	\$7.50
123 - BACK UP 90 DUROMETER	1.187 X .093	11 PER PACKAGE	\$7.50
124 - BACK UP 90 DUROMETER	1.250 X .093	10 PER PACKAGE	\$7.50
125 - BACK UP 90 DUROMETER	1.312 X .093	10 PER PACKAGE	\$7.50
126 - BACK UP 90 DUROMETER	1.375 X .093	9 PER PACKAGE	\$7.50
127 - BACK UP 90 DUROMETER	1.437 X .093	9 PER PACKAGE	\$7.50
128 - BACK UP 90 DUROMETER	1.500 X .093	9 PER PACKAGE	\$7.50
129 - BACK UP 90 DUROMETER	1.562 X .093	9 PER PACKAGE	\$7.50

NITRILE CONTOURED BACK-UP RINGS

ITEM DESCRIPTION	I.D. X C.S.	UNIT OF MEASURE	LIST PRICE
130 - BACK UP 90 DUROMETER	1.625 X .093	9 PER PACKAGE	\$7.50
131 - BACK UP 90 DUROMETER	1.687 X .093	9 PER PACKAGE	\$7.50
132 - BACK UP 90 DUROMETER	1.750 X .093	9 PER PACKAGE	\$7.50
133 - BACK UP 90 DUROMETER	1.812 X .093	9 PER PACKAGE	\$7.50
134 - BACK UP 90 DUROMETER	1.875 X .093	9 PER PACKAGE	\$7.50
135 - BACK UP 90 DUROMETER	1.937 X .093	9 PER PACKAGE	\$7.50
136 - BACK UP 90 DUROMETER	2.000 X .093	9 PER PACKAGE	\$7.50
137 - BACK UP 90 DUROMETER	2.062 X .093	9 PER PACKAGE	\$7.50
138 - BACK UP 90 DUROMETER	2.125 X .093	9 PER PACKAGE	\$7.50
139 - BACK UP 90 DUROMETER	2.187 X .093	9 PER PACKAGE	\$7.50
140 - BACK UP 90 DUROMETER	2.250 X .093	9 PER PACKAGE	\$7.50
141 - BACK UP 90 DUROMETER	2.312 X .093	9 PER PACKAGE	\$7.50
142 - BACK UP 90 DUROMETER	2.375 X .093	9 PER PACKAGE	\$7.50
143 - BACK UP 90 DUROMETER	2.437 X .093	9 PER PACKAGE	\$7.50
144 - BACK UP 90 DUROMETER	2.500 X .093	9 PER PACKAGE	\$7.50
145 - BACK UP 90 DUROMETER	2.562 X .093	9 PER PACKAGE	\$7.50
146 - BACK UP 90 DUROMETER	2.625 X .093	8 PER PACKAGE	\$7.50
147 - BACK UP 90 DUROMETER	2.687 X .093	8 PER PACKAGE	\$7.50
148 - BACK UP 90 DUROMETER	2.750 X .093	8 PER PACKAGE	\$7.50
149 - BACK UP 90 DUROMETER	2.812 X .093	8 PER PACKAGE	\$7.50
150 - BACK UP 90 DUROMETER	2.875 X .093	8 PER PACKAGE	\$7.50
151 - BACK UP 90 DUROMETER	3.000 X .093	8 PER PACKAGE	\$7.50
152 - BACK UP 90 DUROMETER	3.250 X .093	8 PER PACKAGE	\$7.50
153 - BACK UP 90 DUROMETER	3.500 X .093	8 PER PACKAGE	\$7.50
154 - BACK UP 90 DUROMETER	3.750 X .093	3 PER PACKAGE	\$7.50
155 - BACK UP 90 DUROMETER	4.000 X .093	3 PER PACKAGE	\$7.50
156 - BACK UP 90 DUROMETER	4.250 X .093	3 PER PACKAGE	\$7.50
157 - BACK UP 90 DUROMETER	4.500 X .093	3 PER PACKAGE	\$7.50
158 - BACK UP 90 DUROMETER	4.750 X .093	3 PER PACKAGE	\$7.50
159 - BACK UP 90 DUROMETER	5.000 X .093	2 PER PACKAGE	\$7.50
160 - BACK UP 90 DUROMETER	5.250 X .093	2 PER PACKAGE	\$7.50
161 - BACK UP 90 DUROMETER	5.500 X .093	2 PER PACKAGE	\$7.50
162 - BACK UP 90 DUROMETER	5.750 X .093	2 PER PACKAGE	\$7.50
163 - BACK UP 90 DUROMETER	6.000 X .093	2 PER PACKAGE	\$7.50
164 - BACK UP 90 DUROMETER	6.250 X .093	2 PER PACKAGE	\$7.50
165 - BACK UP 90 DUROMETER	6.500 X .093	2 PER PACKAGE	\$7.50
166 - BACK UP 90 DUROMETER	6.750 X .093	2 PER PACKAGE	\$7.50
167 - BACK UP 90 DUROMETER	7.000 X .093	2 PER PACKAGE	\$7.50
168 - BACK UP 90 DUROMETER	7.250 X .093	2 PER PACKAGE	\$7.50
169 - BACK UP 90 DUROMETER	7.500 X .093	2 PER PACKAGE	\$7.50
170 - BACK UP 90 DUROMETER	7.750 X .093	2 PER PACKAGE	\$7.50
171 - BACK UP 90 DUROMETER	8.000 X .093	2 PER PACKAGE	\$7.50
172 - BACK UP 90 DUROMETER	8.250 X .093	2 PER PACKAGE	\$7.50

NITRILE CONTOURED BACK-UP RINGS

ITEM DESCRIPTION	I.D. X C.S.	UNIT OF MEASURE	LIST PRICE
173 - BACK UP 90 DUROMETER	8.500 X .093	2 PER PACKAGE	\$7.50
174 - BACK UP 90 DUROMETER	8.750 X .093	2 PER PACKAGE	\$7.50
175 - BACK UP 90 DUROMETER	9.000 X .093	2 PER PACKAGE	\$7.50
176 - BACK UP 90 DUROMETER	9.250 X .093	2 PER PACKAGE	\$7.50
177 - BACK UP 90 DUROMETER	9.500 X .093	2 PER PACKAGE	\$7.50
178 - BACK UP 90 DUROMETER	9.750 X .093	2 PER PACKAGE	\$7.50
201 - BACK UP 90 DUROMETER	.187 X .125	12 PER PACKAGE	\$7.50
202 - BACK UP 90 DUROMETER	.250 X .125	12 PER PACKAGE	\$7.50
203 - BACK UP 90 DUROMETER	.312 X .125	12 PER PACKAGE	\$7.50
204 - BACK UP 90 DUROMETER	.375 X .125	12 PER PACKAGE	\$7.50
205 - BACK UP 90 DUROMETER	.437 X .125	12 PER PACKAGE	\$7.50
206 - BACK UP 90 DUROMETER	.500 X .125	12 PER PACKAGE	\$7.50
207 - BACK UP 90 DUROMETER	.562 X .125	12 PER PACKAGE	\$7.50
208 - BACK UP 90 DUROMETER	.625 X .125	12 PER PACKAGE	\$7.50
209 - BACK UP 90 DUROMETER	.687 X .125	12 PER PACKAGE	\$7.50
210 - BACK UP 90 DUROMETER	.750 X .125	11 PER PACKAGE	\$7.50
211 - BACK UP 90 DUROMETER	.812 X .125	11 PER PACKAGE	\$7.50
212 - BACK UP 90 DUROMETER	.875 X .125	11 PER PACKAGE	\$7.50
213 - BACK UP 90 DUROMETER	.937 X .125	11 PER PACKAGE	\$7.50
214 - BACK UP 90 DUROMETER	1.000 X .125	11 PER PACKAGE	\$7.50
215 - BACK UP 90 DUROMETER	1.062 X .125	11 PER PACKAGE	\$7.50
216 - BACK UP 90 DUROMETER	1.125 X .125	11 PER PACKAGE	\$7.50
217 - BACK UP 90 DUROMETER	1.187 X .125	11 PER PACKAGE	\$7.50
218 - BACK UP 90 DUROMETER	1.250 X .125	11 PER PACKAGE	\$7.50
219 - BACK UP 90 DUROMETER	1.312 X .125	11 PER PACKAGE	\$7.50
220 - BACK UP 90 DUROMETER	1.375 X .125	10 PER PACKAGE	\$7.50
221 - BACK UP 90 DUROMETER	1.437 X .125	10 PER PACKAGE	\$7.50
222 - BACK UP 90 DUROMETER	1.500 X .125	10 PER PACKAGE	\$7.50
223 - BACK UP 90 DUROMETER	1.625 X .125	10 PER PACKAGE	\$7.50
224 - BACK UP 90 DUROMETER	1.750 X .125	10 PER PACKAGE	\$7.50
225 - BACK UP 90 DUROMETER	1.875 X .125	9 PER PACKAGE	\$7.50
226 - BACK UP 90 DUROMETER	2.000 X .125	9 PER PACKAGE	\$7.50
227 - BACK UP 90 DUROMETER	2.125 X .125	9 PER PACKAGE	\$7.50
228 - BACK UP 90 DUROMETER	2.250 X .125	9 PER PACKAGE	\$7.50
229 - BACK UP 90 DUROMETER	2.375 X .125	9 PER PACKAGE	\$7.50
230 - BACK UP 90 DUROMETER	2.500 X .125	8 PER PACKAGE	\$7.50
231 - BACK UP 90 DUROMETER	2.625 X .125	8 PER PACKAGE	\$7.50
232 - BACK UP 90 DUROMETER	2.750 X .125	8 PER PACKAGE	\$7.50
233 - BACK UP 90 DUROMETER	2.875 X .125	8 PER PACKAGE	\$7.50
234 - BACK UP 90 DUROMETER	3.000 X .125	8 PER PACKAGE	\$7.50
235 - BACK UP 90 DUROMETER	3.125 X .125	8 PER PACKAGE	\$7.50
236 - BACK UP 90 DUROMETER	3.250 X .125	8 PER PACKAGE	\$7.50
237 - BACK UP 90 DUROMETER	3.375 X .125	7 PER PACKAGE	\$7.50

NITRILE CONTOURED BACK-UP RINGS

ITEM DESCRIPTION	I.D. X C.S.	UNIT OF MEASURE	LIST PRICE
238 - BACK UP 90 DUROMETER	3.500 X .125	7 PER PACKAGE	\$7.50
239 - BACK UP 90 DUROMETER	3.625 X .125	5 PER PACKAGE	\$7.50
240 - BACK UP 90 DUROMETER	3.750 X .125	5 PER PACKAGE	\$7.50
241 - BACK UP 90 DUROMETER	3.875 X .125	5 PER PACKAGE	\$7.50
242 - BACK UP 90 DUROMETER	4.000 X .125	5 PER PACKAGE	\$7.50
243 - BACK UP 90 DUROMETER	4.125 X .125	5 PER PACKAGE	\$7.50
244 - BACK UP 90 DUROMETER	4.250 X .125	4 PER PACKAGE	\$7.50
245 - BACK UP 90 DUROMETER	4.375 X .125	4 PER PACKAGE	\$7.50
246 - BACK UP 90 DUROMETER	4.500 X .125	4 PER PACKAGE	\$7.50
247 - BACK UP 90 DUROMETER	4.625 X .125	4 PER PACKAGE	\$7.50
248 - BACK UP 90 DUROMETER	4.750 X .125	4 PER PACKAGE	\$7.50
249 - BACK UP 90 DUROMETER	4.875 X .125	4 PER PACKAGE	\$7.50
250 - BACK UP 90 DUROMETER	5.000 X .125	4 PER PACKAGE	\$7.50
251 - BACK UP 90 DUROMETER	5.125 X .125	3 PER PACKAGE	\$7.50
252 - BACK UP 90 DUROMETER	5.250 X .125	3 PER PACKAGE	\$7.50
253 - BACK UP 90 DUROMETER	5.375 X .125	3 PER PACKAGE	\$7.50
254 - BACK UP 90 DUROMETER	5.500 X .125	3 PER PACKAGE	\$7.50
255 - BACK UP 90 DUROMETER	5.625 X .125	3 PER PACKAGE	\$7.50
256 - BACK UP 90 DUROMETER	5.750 X .125	3 PER PACKAGE	\$7.50
257 - BACK UP 90 DUROMETER	5.875 X .125	3 PER PACKAGE	\$7.50
258 - BACK UP 90 DUROMETER	6.000 X .125	3 PER PACKAGE	\$7.50
259 - BACK UP 90 DUROMETER	6.250 X .125	3 PER PACKAGE	\$7.50
260 - BACK UP 90 DUROMETER	6.500 X .125	3 PER PACKAGE	\$7.50
261 - BACK UP 90 DUROMETER	6.750 X .125	3 PER PACKAGE	\$7.50
262 - BACK UP 90 DUROMETER	7.000 X .125	3 PER PACKAGE	\$7.50
263 - BACK UP 90 DUROMETER	7.250 X .125	3 PER PACKAGE	\$7.50
264 - BACK UP 90 DUROMETER	7.500 X .125	3 PER PACKAGE	\$7.50
265 - BACK UP 90 DUROMETER	7.750 X .125	2 PER PACKAGE	\$7.50
266 - BACK UP 90 DUROMETER	8.000 X .125	2 PER PACKAGE	\$7.50
267 - BACK UP 90 DUROMETER	8.250 X .125	2 PER PACKAGE	\$7.50
268 - BACK UP 90 DUROMETER	8.500 X .125	2 PER PACKAGE	\$7.50
269 - BACK UP 90 DUROMETER	8.750 X .125	2 PER PACKAGE	\$7.50
270 - BACK UP 90 DUROMETER	9.000 X .125	2 PER PACKAGE	\$7.50
271 - BACK UP 90 DUROMETER	9.250 X .125	2 PER PACKAGE	\$7.50
272 - BACK UP 90 DUROMETER	9.500 X .125	2 PER PACKAGE	\$7.50
273 - BACK UP 90 DUROMETER	9.750 X .125	2 PER PACKAGE	\$7.50
274 - BACK UP 90 DUROMETER	10.000 X .125	2 PER PACKAGE	\$7.50
275 - BACK UP 90 DUROMETER	10.500 X .125	2 PER PACKAGE	\$7.50
276 - BACK UP 90 DUROMETER	11.000 X .125	2 PER PACKAGE	\$7.50
277 - BACK UP 90 DUROMETER	11.500 X .125	1 PER PACKAGE	\$6.50
278 - BACK UP 90 DUROMETER	12.000 X .125	1 PER PACKAGE	\$6.50
279 - BACK UP 90 DUROMETER	13.000 X .125	1 PER PACKAGE	\$6.50
280 - BACK UP 90 DUROMETER	14.000 X .125	1 PER PACKAGE	\$6.50

NITRILE CONTOURED BACK-UP RINGS

ITEM DESCRIPTION	I.D. X C.S.	UNIT OF MEASURE	LIST PRICE
281 - BACK UP 90 DUROMETER	15.000 X .125	1 PER PACKAGE	\$6.50
282 - BACK UP 90 DUROMETER	16.000 X .125	1 PER PACKAGE	\$6.50
283 - BACK UP 90 DUROMETER	17.000 X .125	1 PER PACKAGE	\$6.50
284 - BACK UP 90 DUROMETER	18.000 X .125	1 PER PACKAGE	\$6.50
309 - BACK UP 90 DUROMETER	.437 X .187	12 PER PACKAGE	\$7.50
310 - BACK UP 90 DUROMETER	.500 X .187	12 PER PACKAGE	\$7.50
311 - BACK UP 90 DUROMETER	.562 X .187	12 PER PACKAGE	\$7.50
312 - BACK UP 90 DUROMETER	.625 X .187	10 PER PACKAGE	\$7.50
313 - BACK UP 90 DUROMETER	.687 X .187	10 PER PACKAGE	\$7.50
314 - BACK UP 90 DUROMETER	.750 X .187	10 PER PACKAGE	\$7.50
315 - BACK UP 90 DUROMETER	.812 X .187	10 PER PACKAGE	\$7.50
316 - BACK UP 90 DUROMETER	.875 X .187	10 PER PACKAGE	\$7.50
317 - BACK UP 90 DUROMETER	.937 X .187	10 PER PACKAGE	\$7.50
318 - BACK UP 90 DUROMETER	1.000 X .187	10 PER PACKAGE	\$7.50
319 - BACK UP 90 DUROMETER	1.062 X .187	10 PER PACKAGE	\$7.50
320 - BACK UP 90 DUROMETER	1.125 X .187	10 PER PACKAGE	\$7.50
321 - BACK UP 90 DUROMETER	1.187 X .187	10 PER PACKAGE	\$7.50
322 - BACK UP 90 DUROMETER	1.250 X .187	10 PER PACKAGE	\$7.50
323 - BACK UP 90 DUROMETER	1.312 X .187	10 PER PACKAGE	\$7.50
324 - BACK UP 90 DUROMETER	1.375 X .187	10 PER PACKAGE	\$7.50
325 - BACK UP 90 DUROMETER	1.500 X .187	10 PER PACKAGE	\$7.50
326 - BACK UP 90 DUROMETER	1.625 X .187	9 PER PACKAGE	\$7.50
327 - BACK UP 90 DUROMETER	1.750 X .187	9 PER PACKAGE	\$7.50
328 - BACK UP 90 DUROMETER	1.875 X .187	8 PER PACKAGE	\$7.50
329 - BACK UP 90 DUROMETER	2.000 X .187	9 PER PACKAGE	\$7.50
330 - BACK UP 90 DUROMETER	2.125 X .187	9 PER PACKAGE	\$7.50
331 - BACK UP 90 DUROMETER	2.250 X .187	9 PER PACKAGE	\$7.50
332 - BACK UP 90 DUROMETER	2.375 X .187	9 PER PACKAGE	\$7.50
333 - BACK UP 90 DUROMETER	2.500 X .187	9 PER PACKAGE	\$7.50
334 - BACK UP 90 DUROMETER	2.625 X .187	9 PER PACKAGE	\$7.50
335 - BACK UP 90 DUROMETER	2.750 X .187	8 PER PACKAGE	\$7.50
336 - BACK UP 90 DUROMETER	2.875 X .187	8 PER PACKAGE	\$7.50
337 - BACK UP 90 DUROMETER	3.000 X .187	8 PER PACKAGE	\$7.50
338 - BACK UP 90 DUROMETER	3.125 X .187	7 PER PACKAGE	\$7.50
339 - BACK UP 90 DUROMETER	3.250 X .187	7 PER PACKAGE	\$7.50
340 - BACK UP 90 DUROMETER	3.375 X .187	7 PER PACKAGE	\$7.50
341 - BACK UP 90 DUROMETER	3.500 X .187	7 PER PACKAGE	\$7.50
342 - BACK UP 90 DUROMETER	3.625 X .187	6 PER PACKAGE	\$7.50
343 - BACK UP 90 DUROMETER	3.750 X .187	6 PER PACKAGE	\$7.50
344 - BACK UP 90 DUROMETER	3.875 X .187	5 PER PACKAGE	\$7.50
345 - BACK UP 90 DUROMETER	4.000 X .187	5 PER PACKAGE	\$7.50
346 - BACK UP 90 DUROMETER	4.125 X .187	5 PER PACKAGE	\$7.50
347 - BACK UP 90 DUROMETER	4.250 X .187	4 PER PACKAGE	\$7.50

NITRILE CONTOURED BACK-UP RINGS

ITEM DESCRIPTION	I.D. X C.S.	UNIT OF MEASURE	LIST PRICE
348 - BACK UP 90 DUROMETER	4.375 X .187	4 PER PACKAGE	\$7.50
349 - BACK UP 90 DUROMETER	4.500 X .187	4 PER PACKAGE	\$7.50
350 - BACK UP 90 DUROMETER	4.625 X .187	4 PER PACKAGE	\$7.50
351 - BACK UP 90 DUROMETER	4.750 X .187	4 PER PACKAGE	\$7.50
352 - BACK UP 90 DUROMETER	4.875 X .187	3 PER PACKAGE	\$7.50
353 - BACK UP 90 DUROMETER	5.000 X .187	3 PER PACKAGE	\$7.50
354 - BACK UP 90 DUROMETER	5.125 X .187	3 PER PACKAGE	\$7.50
355 - BACK UP 90 DUROMETER	5.250 X .187	3 PER PACKAGE	\$7.50
356 - BACK UP 90 DUROMETER	5.375 X .187	3 PER PACKAGE	\$7.50
357 - BACK UP 90 DUROMETER	5.500 X .187	3 PER PACKAGE	\$7.50
358 - BACK UP 90 DUROMETER	5.625 X .187	3 PER PACKAGE	\$7.50
359 - BACK UP 90 DUROMETER	5.750 X .187	3 PER PACKAGE	\$7.50
360 - BACK UP 90 DUROMETER	5.875 X .187	3 PER PACKAGE	\$7.50
361 - BACK UP 90 DUROMETER	6.000 X .187	3 PER PACKAGE	\$7.50
362 - BACK UP 90 DUROMETER	6.250 X .187	3 PER PACKAGE	\$7.50
363 - BACK UP 90 DUROMETER	6.500 X .187	3 PER PACKAGE	\$7.50
364 - BACK UP 90 DUROMETER	6.750 X .187	3 PER PACKAGE	\$7.50
365 - BACK UP 90 DUROMETER	7.000 X .187	3 PER PACKAGE	\$7.50
366 - BACK UP 90 DUROMETER	7.250 X .187	3 PER PACKAGE	\$7.50
367 - BACK UP 90 DUROMETER	7.500 X .187	3 PER PACKAGE	\$7.50
368 - BACK UP 90 DUROMETER	7.750 X .187	2 PER PACKAGE	\$7.50
369 - BACK UP 90 DUROMETER	8.000 X .187	2 PER PACKAGE	\$7.50
370 - BACK UP 90 DUROMETER	8.250 X .187	2 PER PACKAGE	\$7.50
371 - BACK UP 90 DUROMETER	8.500 X .187	2 PER PACKAGE	\$7.50
372 - BACK UP 90 DUROMETER	8.750 X .187	2 PER PACKAGE	\$7.50
373 - BACK UP 90 DUROMETER	9.000 X .187	2 PER PACKAGE	\$7.50
374 - BACK UP 90 DUROMETER	9.250 X .187	2 PER PACKAGE	\$7.50
375 - BACK UP 90 DUROMETER	9.500 X .187	2 PER PACKAGE	\$7.50
376 - BACK UP 90 DUROMETER	9.750 X .187	2 PER PACKAGE	\$7.50
377 - BACK UP 90 DUROMETER	10.000 X .187	2 PER PACKAGE	\$7.50
378 - BACK UP 90 DUROMETER	10.500 X .187	2 PER PACKAGE	\$7.50
379 - BACK UP 90 DUROMETER	11.000 X .187	1 PER PACKAGE	\$7.50
380 - BACK UP 90 DUROMETER	11.500 X .187	1 PER PACKAGE	\$7.50
381 - BACK UP 90 DUROMETER	12.000 X .187	1 PER PACKAGE	\$7.50
382 - BACK UP 90 DUROMETER	13.000 X .187	1 PER PACKAGE	\$7.50
383 - BACK UP 90 DUROMETER	14.000 X .187	1 PER PACKAGE	\$9.62
384 - BACK UP 90 DUROMETER	15.000 X .187	1 PER PACKAGE	\$9.62
385 - BACK UP 90 DUROMETER	16.000 X .187	1 PER PACKAGE	\$9.62
386 - BACK UP 90 DUROMETER	17.000 X .187	1 PER PACKAGE	\$9.62
387 - BACK UP 90 DUROMETER	18.000 X .187	1 PER PACKAGE	\$9.62
388 - BACK UP 90 DUROMETER	19.000 X .187	1 PER PACKAGE	\$9.94
389 - BACK UP 90 DUROMETER	20.000 X .187	1 PER PACKAGE	\$13.50
390 - BACK UP 90 DUROMETER	21.000 X .187	1 PER PACKAGE	\$16.90

NITRILE CONTOURED BACK-UP RINGS

ITEM DESCRIPTION	I.D. X C.S.	UNIT OF MEASURE	LIST PRICE
391 - BACK UP 90 DUROMETER	22.000 X .187	1 PER PACKAGE	\$17.51
394 - BACK UP 90 DUROMETER	25.000 X .187	1 PER PACKAGE	\$20.20
396 - BACK UP 90 DUROMETER	26.000 X .187	1 PER PACKAGE	\$22.24
402 - BACK UP 90 DUROMETER	1.625 X .250	2 PER PACKAGE	\$7.50
403 - BACK UP 90 DUROMETER	1.750 X .250	2 PER PACKAGE	\$7.50
404 - BACK UP 90 DUROMETER	1.875 X .250	2 PER PACKAGE	\$7.50
405 - BACK UP 90 DUROMETER	2.000 X .250	2 PER PACKAGE	\$7.50
409 - BACK UP 90 DUROMETER	2.500 X .250	2 PER PACKAGE	\$7.50
413 - BACK UP 90 DUROMETER	3.000 X .250	2 PER PACKAGE	\$7.50
415 - BACK UP 90 DUROMETER	3.250 X .250	2 PER PACKAGE	\$7.50
417 - BACK UP 90 DUROMETER	3.500 X .250	2 PER PACKAGE	\$7.50
419 - BACK UP 90 DUROMETER	3.750 X .250	2 PER PACKAGE	\$7.50
421 - BACK UP 90 DUROMETER	4.000 X .250	2 PER PACKAGE	\$7.50
422 - BACK UP 90 DUROMETER	3.250 X .250	2 PER PACKAGE	\$7.50
423 - BACK UP 90 DUROMETER	4.250 X .250	2 PER PACKAGE	\$7.50
424 - BACK UP 90 DUROMETER	4.375 X .250	2 PER PACKAGE	\$7.50
425 - BACK UP 90 DUROMETER	4.500 X .250	4 PER PACKAGE	\$7.50
426 - BACK UP 90 DUROMETER	4.625 X .250	4 PER PACKAGE	\$7.50
427 - BACK UP 90 DUROMETER	4.750 X .250	4 PER PACKAGE	\$7.50
428 - BACK UP 90 DUROMETER	4.875 X .250	4 PER PACKAGE	\$7.50
429 - BACK UP 90 DUROMETER	5.000 X .250	4 PER PACKAGE	\$7.50
430 - BACK UP 90 DUROMETER	5.125 X .250	3 PER PACKAGE	\$7.50
431 - BACK UP 90 DUROMETER	5.250 X .250	3 PER PACKAGE	\$7.50
432 - BACK UP 90 DUROMETER	5.375 X .250	3 PER PACKAGE	\$7.50
433 - BACK UP 90 DUROMETER	5.500 X .250	3 PER PACKAGE	\$7.50
434 - BACK UP 90 DUROMETER	5.625 X .250	3 PER PACKAGE	\$7.50
435 - BACK UP 90 DUROMETER	5.750 X .250	3 PER PACKAGE	\$7.50
436 - BACK UP 90 DUROMETER	5.875 X .250	3 PER PACKAGE	\$7.50
437 - BACK UP 90 DUROMETER	6.000 X .250	3 PER PACKAGE	\$7.50
438 - BACK UP 90 DUROMETER	6.250 X .250	3 PER PACKAGE	\$7.50
439 - BACK UP 90 DUROMETER	6.500 X .250	3 PER PACKAGE	\$7.50
440 - BACK UP 90 DUROMETER	6.750 X .250	3 PER PACKAGE	\$7.50
441 - BACK UP 90 DUROMETER	7.000 X .250	2 PER PACKAGE	\$7.50
442 - BACK UP 90 DUROMETER	7.250 X .250	2 PER PACKAGE	\$7.50
443 - BACK UP 90 DUROMETER	7.500 X .250	2 PER PACKAGE	\$7.50
444 - BACK UP 90 DUROMETER	7.750 X .250	2 PER PACKAGE	\$7.50
445 - BACK UP 90 DUROMETER	8.000 X .250	2 PER PACKAGE	\$7.50
446 - BACK UP 90 DUROMETER	8.500 X .250	2 PER PACKAGE	\$7.50
447 - BACK UP 90 DUROMETER	9.000 X .250	2 PER PACKAGE	\$7.50
448 - BACK UP 90 DUROMETER	9.500 X .250	2 PER PACKAGE	\$7.50
449 - BACK UP 90 DUROMETER	10.000 X .250	2 PER PACKAGE	\$7.50
450 - BACK UP 90 DUROMETER	10.500 X .250	1 PER PACKAGE	\$7.50
451 - BACK UP 90 DUROMETER	11.000 X .250	1 PER PACKAGE	\$7.50

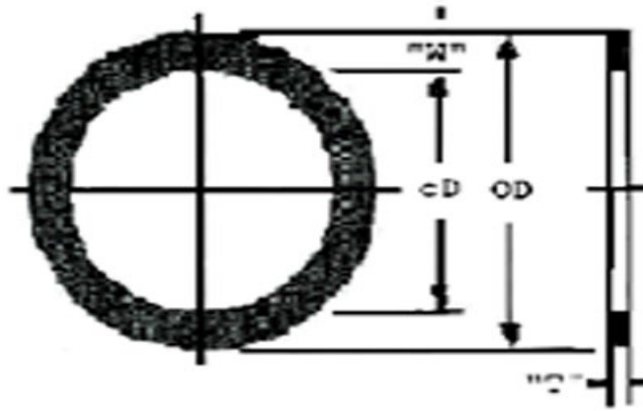
NITRILE CONTOURED BACK-UP RINGS

ITEM DESCRIPTION	I.D. X C.S.	UNIT OF MEASURE	LIST PRICE
452 - BACK UP 90 DUROMETER	11.500 X .250	1 PER PACKAGE	\$7.50
453 - BACK UP 90 DUROMETER	12.000 X .250	1 PER PACKAGE	\$7.50
454 - BACK UP 90 DUROMETER	12.500 X .250	1 PER PACKAGE	\$7.50
455 - BACK UP 90 DUROMETER	13.000 X .250	1 PER PACKAGE	\$7.50
456 - BACK UP 90 DUROMETER	13.500 X .250	1 PER PACKAGE	\$7.50
457 - BACK UP 90 DUROMETER	14.000 X .250	1 PER PACKAGE	\$7.50
458 - BACK UP 90 DUROMETER	14.500 X .250	1 PER PACKAGE	\$7.50
459 - BACK UP 90 DUROMETER	15.000 X .250	1 PER PACKAGE	\$10.50
460 - BACK UP 90 DUROMETER	15.500 X .250	1 PER PACKAGE	\$10.50
461 - BACK UP 90 DUROMETER	16.000 X .250	1 PER PACKAGE	\$10.50
462 - BACK UP 90 DUROMETER	16.500 X .250	1 PER PACKAGE	\$10.50
463 - BACK UP 90 DUROMETER	17.000 X .250	1 PER PACKAGE	\$10.50
464 - BACK UP 90 DUROMETER	17.500 X .250	1 PER PACKAGE	\$12.50
465 - BACK UP 90 DUROMETER	18.000 X .250	1 PER PACKAGE	\$3.32
466 - BACK UP 90 DUROMETER	18.500 X .250	1 PER PACKAGE	\$4.05
467 - BACK UP 90 DUROMETER	19.000 X .250	1 PER PACKAGE	\$3.42
468 - BACK UP 90 DUROMETER	19.500 X .250	1 PER PACKAGE	\$4.23
469 - BACK UP 90 DUROMETER	20.000 X .250	1 PER PACKAGE	\$3.70
470 - BACK UP 90 DUROMETER	21.000 X .250	1 PER PACKAGE	\$3.83
471 - BACK UP 90 DUROMETER	22.000 X .250	1 PER PACKAGE	\$4.00
472 - BACK UP 90 DUROMETER	23.000 X .250	1 PER PACKAGE	\$5.95
473 - BACK UP 90 DUROMETER	24.000 X .250	1 PER PACKAGE	\$4.31
475 - BACK UP 90 DUROMETER	26.000 X .250	1 PER PACKAGE	\$6.81

Order by debit or credit card...Today!



TEFLON BACK-UP RINGS



TEFLON BACK-UP RINGS

ITEM DESCRIPTION	LIST PRICE	UOM
004 TEFLON BACK UP	\$0.65	EACH
005 TEFLON BACK UP	\$0.64	EACH
006 TEFLON BACK UP	\$0.43	EACH
007 TEFLON BACK UP	\$0.43	EACH
008 TEFLON BACK UP	\$0.43	EACH
009 TEFLON BACK UP	\$0.43	EACH
010 TEFLON BACK UP	\$0.46	EACH
011 TEFLON BACK UP	\$0.46	EACH
012 TEFLON BACK UP	\$0.51	EACH
013 TEFLON BACK UP	\$0.53	EACH
014 TEFLON BACK UP	\$0.56	EACH
015 TEFLON BACK UP	\$0.60	EACH
016 TEFLON BACK UP	\$0.63	EACH
017 TEFLON BACK UP	\$0.64	EACH
018 TEFLON BACK UP	\$0.65	EACH
019 TEFLON BACK UP	\$0.67	EACH
020 TEFLON BACK UP	\$0.70	EACH
021 TEFLON BACK UP	\$0.78	EACH
022 TEFLON BACK UP	\$0.82	EACH
023 TEFLON BACK UP	\$0.86	EACH
024 TEFLON BACK UP	\$0.92	EACH
025 TEFLON BACK UP	\$0.94	EACH
026 TEFLON BACK UP	\$1.00	EACH
027 TEFLON BACK UP	\$1.04	EACH
028 TEFLON BACK UP	\$1.13	EACH
029 TEFLON BACK UP	\$4.80	EACH
030 TEFLON BACK UP	\$4.80	EACH
031 TEFLON BACK UP	\$4.91	EACH
032 TEFLON BACK UP	\$5.07	EACH
033 TEFLON BACK UP	\$5.17	EACH
034 TEFLON BACK UP	\$5.39	EACH
035 TEFLON BACK UP	\$5.39	EACH

TEFLON BACK-UP RINGS

ITEM DESCRIPTION	LIST PRICE	UOM
036 TEFLON BACK UP	\$5.39	EACH
037 TEFLON BACK UP	\$5.39	EACH
038 TEFLON BACK UP	\$5.39	EACH
039 TEFLON BACK UP	\$5.39	EACH
040 TEFLON BACK UP	\$5.97	EACH
041 TEFLON BACK UP	\$6.61	EACH
042 TEFLON BACK UP	\$7.10	EACH
043 TEFLON BACK UP	\$7.20	EACH
044 TEFLON BACK UP	\$7.20	EACH
045 TEFLON BACK UP	\$7.20	EACH
046 TEFLON BACK UP	\$7.20	EACH
047 TEFLON BACK UP	\$7.31	EACH
048 TEFLON BACK UP	\$7.41	EACH
049 TEFLON BACK UP	\$7.57	EACH
050 TEFLON BACK UP	\$7.80	EACH
110 TEFLON BACK UP	\$0.51	EACH
111 TEFLON BACK UP	\$0.53	EACH
112 TEFLON BACK UP	\$0.56	EACH
113 TEFLON BACK UP	\$0.61	EACH
114 TEFLON BACK UP	\$0.64	EACH
115 TEFLON BACK UP	\$0.67	EACH
116 TEFLON BACK UP	\$0.70	EACH
117 TEFLON BACK UP	\$0.72	EACH
118 TEFLON BACK UP	\$0.74	EACH
119 TEFLON BACK UP	\$0.77	EACH
120 TEFLON BACK UP	\$0.80	EACH
121 TEFLON BACK UP	\$0.86	EACH
122 TEFLON BACK UP	\$0.90	EACH
123 TEFLON BACK UP	\$1.00	EACH
124 TEFLON BACK UP	\$1.01	EACH
125 TEFLON BACK UP	\$1.09	EACH
126 TEFLON BACK UP	\$1.16	EACH
127 TEFLON BACK UP	\$1.17	EACH
128 TEFLON BACK UP	\$1.24	EACH
129 TEFLON BACK UP	\$1.32	EACH
130 TEFLON BACK UP	\$1.40	EACH
131 TEFLON BACK UP	\$1.48	EACH
132 TEFLON BACK UP	\$1.54	EACH
133 TEFLON BACK UP	\$1.62	EACH
134 TEFLON BACK UP	\$1.67	EACH
135 TEFLON BACK UP	\$1.71	EACH
136 TEFLON BACK UP	\$1.74	EACH
137 TEFLON BACK UP	\$1.79	EACH

TEFLON BACK-UP RINGS

ITEM DESCRIPTION	LIST PRICE	UOM
138 TEFLON BACK UP	\$1.83	EACH
139 TEFLON BACK UP	\$2.64	EACH
140 TEFLON BACK UP	\$2.81	EACH
141 TEFLON BACK UP	\$2.87	EACH
142 TEFLON BACK UP	\$2.95	EACH
143 TEFLON BACK UP	\$3.03	EACH
144 TEFLON BACK UP	\$3.10	EACH
145 TEFLON BACK UP	\$3.20	EACH
146 TEFLON BACK UP	\$3.31	EACH
147 TEFLON BACK UP	\$3.36	EACH
148 TEFLON BACK UP	\$3.47	EACH
149 TEFLON BACK UP	\$3.57	EACH
150 TEFLON BACK UP	\$5.34	EACH
151 TEFLON BACK UP	\$5.34	EACH
152 TEFLON BACK UP	\$5.66	EACH
153 TEFLON BACK UP	\$5.87	EACH
154 TEFLON BACK UP	\$7.15	EACH
155 TEFLON BACK UP	\$7.15	EACH
156 TEFLON BACK UP	\$7.26	EACH
157 TEFLON BACK UP	\$7.37	EACH
158 TEFLON BACK UP	\$7.47	EACH
159 TEFLON BACK UP	\$7.47	EACH
160 TEFLON BACK UP	\$7.47	EACH
161 TEFLON BACK UP	\$17.61	EACH
210 TEFLON BACK UP	\$0.74	EACH
211 TEFLON BACK UP	\$0.89	EACH
212 TEFLON BACK UP	\$0.95	EACH
213 TEFLON BACK UP	\$0.99	EACH
214 TEFLON BACK UP	\$1.04	EACH
215 TEFLON BACK UP	\$1.16	EACH
216 TEFLON BACK UP	\$1.25	EACH
217 TEFLON BACK UP	\$1.33	EACH
218 TEFLON BACK UP	\$1.42	EACH
219 TEFLON BACK UP	\$1.44	EACH
220 TEFLON BACK UP	\$1.47	EACH
221 TEFLON BACK UP	\$1.52	EACH
222 TEFLON BACK UP	\$1.59	EACH
223 TEFLON BACK UP	\$1.68	EACH
224 TEFLON BACK UP	\$1.77	EACH
225 TEFLON BACK UP	\$1.84	EACH
226 TEFLON BACK UP	\$1.87	EACH
227 TEFLON BACK UP	\$1.94	EACH
228 TEFLON BACK UP	\$1.97	EACH

TEFLON BACK-UP RINGS

ITEM DESCRIPTION	LIST PRICE	UOM
229 TEFLON BACK UP	\$2.05	EACH
230 TEFLON BACK UP	\$2.24	EACH
231 TEFLON BACK UP	\$2.73	EACH
232 TEFLON BACK UP	\$2.88	EACH
233 TEFLON BACK UP	\$3.10	EACH
234 TEFLON BACK UP	\$3.20	EACH
235 TEFLON BACK UP	\$3.36	EACH
236 TEFLON BACK UP	\$3.47	EACH
237 TEFLON BACK UP	\$3.63	EACH
238 TEFLON BACK UP	\$3.68	EACH
239 TEFLON BACK UP	\$4.00	EACH
240 TEFLON BACK UP	\$4.06	EACH
241 TEFLON BACK UP	\$4.27	EACH
242 TEFLON BACK UP	\$4.48	EACH
243 TEFLON BACK UP	\$4.64	EACH
244 TEFLON BACK UP	\$4.74	EACH
245 TEFLON BACK UP	\$4.96	EACH
246 TEFLON BACK UP	\$5.07	EACH
247 TEFLON BACK UP	\$5.23	EACH
248 TEFLON BACK UP	\$10.32	EACH
249 TEFLON BACK UP	\$10.32	EACH
250 TEFLON BACK UP	\$10.32	EACH
251 TEFLON BACK UP	\$10.67	EACH
252 TEFLON BACK UP	\$11.21	EACH
253 TEFLON BACK UP	\$12.01	EACH
254 TEFLON BACK UP	\$12.01	EACH
255 TEFLON BACK UP	\$7.74	EACH
256 TEFLON BACK UP	\$9.60	EACH
257 TEFLON BACK UP	\$10.67	EACH
258 TEFLON BACK UP	\$10.67	EACH
259 TEFLON BACK UP	\$10.94	EACH
260 TEFLON BACK UP	\$11.21	EACH
261 TEFLON BACK UP	\$11.21	EACH
262 TEFLON BACK UP	\$11.21	EACH
263 TEFLON BACK UP	\$11.21	EACH
264 TEFLON BACK UP	\$11.21	EACH
265 TEFLON BACK UP	\$12.01	EACH
266 TEFLON BACK UP	\$12.01	EACH
267 TEFLON BACK UP	\$12.01	EACH
268 TEFLON BACK UP	\$17.61	EACH
269 TEFLON BACK UP	\$17.61	EACH
270 TEFLON BACK UP	\$18.68	EACH
271 TEFLON BACK UP	\$21.34	EACH

TEFLON BACK-UP RINGS

ITEM DESCRIPTION	LIST PRICE	UOM
272 TEFLON BACK UP	\$21.34	EACH
273 TEFLON BACK UP	\$21.34	EACH
274 TEFLON BACK UP	\$21.34	EACH
275 TEFLON BACK UP	\$55.68	EACH
276 TEFLON BACK UP	\$58.46	EACH
277 TEFLON BACK UP	\$62.64	EACH
278 TEFLON BACK UP	\$65.44	EACH
279 TEFLON BACK UP	\$76.57	EACH
280 TEFLON BACK UP	\$66.70	EACH
281 TEFLON BACK UP	\$101.38	EACH
283 TEFLON BACK UP	\$76.73	EACH
284 TEFLON BACK UP	\$76.73	EACH
318 TEFLON BACK UP	\$5.67	EACH
320 TEFLON BACK UP	\$3.00	EACH
321 TEFLON BACK UP	\$3.26	EACH
322 TEFLON BACK UP	\$3.74	EACH
324 TEFLON BACK UP	\$3.74	EACH
325 TEFLON BACK UP	\$3.49	EACH
326 TEFLON BACK UP	\$3.53	EACH
327 TEFLON BACK UP	\$3.56	EACH
328 TEFLON BACK UP	\$3.57	EACH
329 TEFLON BACK UP	\$3.58	EACH
330 TEFLON BACK UP	\$3.61	EACH
331 TEFLON BACK UP	\$3.64	EACH
332 TEFLON BACK UP	\$3.65	EACH
333 TEFLON BACK UP	\$3.68	EACH
334 TEFLON BACK UP	\$3.72	EACH
335 TEFLON BACK UP	\$3.87	EACH
336 TEFLON BACK UP	\$4.03	EACH
337 TEFLON BACK UP	\$4.42	EACH
338 TEFLON BACK UP	\$4.45	EACH
339 TEFLON BACK UP	\$4.50	EACH
340 TEFLON BACK UP	\$4.57	EACH
341 TEFLON BACK UP	\$4.62	EACH
342 TEFLON BACK UP	\$4.64	EACH
343 TEFLON BACK UP	\$4.80	EACH
344 TEFLON BACK UP	\$4.96	EACH
345 TEFLON BACK UP	\$5.10	EACH
346 TEFLON BACK UP	\$5.27	EACH
347 TEFLON BACK UP	\$5.42	EACH
348 TEFLON BACK UP	\$5.58	EACH
349 TEFLON BACK UP	\$5.81	EACH
350 TEFLON BACK UP	\$10.78	EACH

TEFLON BACK-UP RINGS

ITEM DESCRIPTION	LIST PRICE	UOM
351 TEFLON BACK UP	\$11.37	EACH
352 TEFLON BACK UP	\$11.37	EACH
353 TEFLON BACK UP	\$12.01	EACH
354 TEFLON BACK UP	\$13.18	EACH
355 TEFLON BACK UP	\$13.18	EACH
356 TEFLON BACK UP	\$13.24	EACH
357 TEFLON BACK UP	\$13.82	EACH
358 TEFLON BACK UP	\$14.41	EACH
359 TEFLON BACK UP	\$14.94	EACH
360 TEFLON BACK UP	\$14.94	EACH
361 TEFLON BACK UP	\$17.08	EACH
362 TEFLON BACK UP	\$17.34	EACH
363 TEFLON BACK UP	\$17.34	EACH
364 TEFLON BACK UP	\$17.50	EACH
365 TEFLON BACK UP	\$18.57	EACH
366 TEFLON BACK UP	\$28.55	EACH
367 TEFLON BACK UP	\$29.24	EACH
368 TEFLON BACK UP	\$29.78	EACH
369 TEFLON BACK UP	\$30.62	EACH
370 TEFLON BACK UP	\$33.35	EACH
371 TEFLON BACK UP	\$40.02	EACH
372 TEFLON BACK UP	\$48.02	EACH
373 TEFLON BACK UP	\$53.36	EACH
374 TEFLON BACK UP	\$58.70	EACH
375 TEFLON BACK UP	\$73.43	EACH
376 TEFLON BACK UP	\$73.43	EACH
377 TEFLON BACK UP	\$74.70	EACH
378 TEFLON BACK UP	\$74.70	EACH
383 TEFLON BACK UP	\$88.04	EACH
413 TEFLON BACK UP	\$9.77	EACH
417 TEFLON BACK UP	\$10.67	EACH
421 TEFLON BACK UP	\$10.67	EACH
425 TEFLON BACK UP	\$10.06	EACH
426 TEFLON BACK UP	\$11.23	EACH
427 TEFLON BACK UP	\$12.38	EACH
428 TEFLON BACK UP	\$13.93	EACH
429 TEFLON BACK UP	\$14.70	EACH
430 TEFLON BACK UP	\$14.94	EACH
431 TEFLON BACK UP	\$15.10	EACH
432 TEFLON BACK UP	\$15.24	EACH
433 TEFLON BACK UP	\$15.47	EACH
434 TEFLON BACK UP	\$15.88	EACH
435 TEFLON BACK UP	\$16.25	EACH

TEFLON BACK-UP RINGS

ITEM DESCRIPTION	LIST PRICE	UOM
436 TEFLON BACK UP	\$17.24	EACH
437 TEFLON BACK UP	\$18.30	EACH
438 TEFLON BACK UP	\$19.38	EACH
439 TEFLON BACK UP	\$20.46	EACH
440 TEFLON BACK UP	\$21.00	EACH
441 TEFLON BACK UP	\$21.53	EACH
442 TEFLON BACK UP	\$22.07	EACH
443 TEFLON BACK UP	\$22.61	EACH
444 TEFLON BACK UP	\$23.14	EACH
445 TEFLON BACK UP	\$23.69	EACH
446 TEFLON BACK UP	\$26.92	EACH
447 TEFLON BACK UP	\$30.15	EACH
448 TEFLON BACK UP	\$32.29	EACH
449 TEFLON BACK UP	\$44.16	EACH
450 TEFLON BACK UP	\$46.30	EACH
451 TEFLON BACK UP	\$48.45	EACH
452 TEFLON BACK UP	\$51.69	EACH
453 TEFLON BACK UP	\$53.82	EACH
454 TEFLON BACK UP	\$58.14	EACH
455 TEFLON BACK UP	\$62.44	EACH
456 TEFLON BACK UP	\$71.05	EACH
457 TEFLON BACK UP	\$79.67	EACH
458 TEFLON BACK UP	\$80.74	EACH
459 TEFLON BACK UP	\$81.81	EACH
460 TEFLON BACK UP	\$82.89	EACH
472 TEFLON BACK UP	\$210.67	EACH

BFP SERIES

Bolted Flange Protection

**SAE High-Pressure
Flange Protectors**

BFP Specifications:

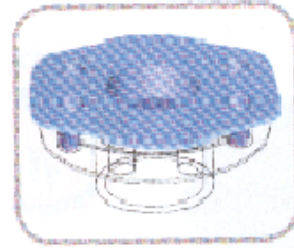
- * Material: Low-Density Polyethylene
- * Color: Blue

Features:

- * Used on SAE high-pressure flanges
- * Provides face coverage with lugs firmly positioned into bolt holes.
- * Requires no fasteners



BFP Series



FLANGE PLUGS

ITEM DESCRIPTION	PORT SIZE	LIST PRICE	UOM
<i>BFP-050</i> FLANGE PLUG	0.500	\$11.69	13 PER PK
<i>BFP-075</i> FLANGE PLUG	0.750	\$11.69	11 PER PK
<i>BFP-100</i> FLANGE PLUG	1.000	\$11.69	10 PER PK
<i>BFP-125</i> FLANGE PLUG	1.250	\$11.69	09 PER PK
<i>BFP-150</i> FLANGE PLUG	1.500	\$11.69	09 PER PK
<i>BFP-200</i> FLANGE PLUG	2.000	\$11.69	08 PER PK
<i>BFP-250</i> FLANGE PLUG	2.500	\$11.69	08 PER PK

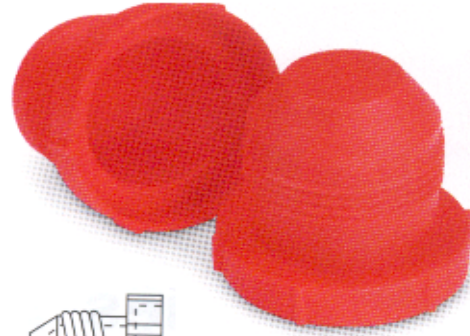
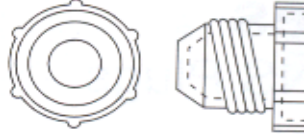
Thank you for your business!

THREADED PLUGS "T" SERIES

For Flared Fittings

Specifications:

- * Material: Low-Density Polyethylene
- * Color: Red
- * Applicable Spec: NAS-833, NAS-815,
(MIL-C5501/1, MIL-C52078)



Features:

- * Designed with a knurled head for easy finger installation.
- * Used to seal light pressure requirements on SAE O-Ring and 37 degrees JIC flared fittings.
- * The "T" Series include fine threads for those applications that require a precision tight fit.



THREADED PLUGS "T" SERIES

ITEM DESCRIPTION	TUBING SIZE	SAE Thread Size	LIST PRICE	UOM
HF-2 T-1 Threaded Plug	0.125	5/16----24	\$11.69	50 PER PK
HF-4 T-2 Threaded Plug	0.187	3/8----24	\$11.69	50 PER PK
HF-6 T-3 Threaded Plug	0.250	7/16----20	\$11.69	50 PER PK
HF-8 T-4 Threaded Plug	0.312	1/2----20	\$11.69	50 PER PK
HF-10 T-5 Threaded Plug	0.375	9/16----18	\$11.69	50 PER PK
HF-11 T-6 Threaded Plug	0.375	5/8----18	\$11.69	50 PER PK
HF-12 T-7 Threaded Plug	0.500	3/4----16	\$11.69	50 PER PK
HF-14 T-8 Threaded Plug	0.625	7/8----14	\$11.69	40 PER PK
HF-16 T-9 Threaded Plug	0.750	1-1/16----12	\$11.69	40 PER PK
HF-18 T-10 Threaded Plug	0.750	1-1/16----14	\$11.69	40 PER PK
HF-20 T-11 Threaded Plug	0.875	1-3/16----12	\$11.69	30 PER PK
HF-24 T-12 Threaded Plug	1.000	1-5/16----12	\$11.69	20 PER PK
HF-28 T-16 Threaded Plug	1.500	1-7/8----12	\$11.69	10 PER PK
HF-30 T-18 Threaded Plug	1.750	2-1/4----12	\$11.69	05 PER PK
HF-32 T-20 Threaded Plug	2.000	2-1/2----12	\$11.69	05 PER PK

THREADED PLUGS "R" SERIES

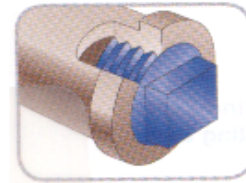
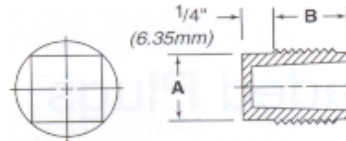
Threaded NPT Plugs

Specifications:

- * Material: High-Density Polyethylene
- * Color: Blue
The PS25D is Red

Features:

- * Square head design allows the user to install or remove these by hand or with a wrench.
- * Used to protect NPT threads against contaminants and moisture.



THREADED PLUGS "R" SERIES

ITEM DESCRIPTION	To Fit NPT Thread Size	"A"	"B"	LIST PRICE	UOM
TP 1 - R- 1/8	0.125----1/8"----27	0.281	0.375	\$11.69	50 PER PK
TP 3 - R- 1/4	0.250----1/4"----18	0.343	0.437	\$11.69	45 PER PK
TP 5 - R- 3/8	0.375----3/8"----18	0.437	0.500	\$11.69	25 PER PK
TP 7 - R- 1/2	0.500----1/2"----14	0.562	0.562	\$11.69	25 PER PK
TP 9 - R- 3/4	0.750----3/4"----14	0.687	0.625	\$11.69	25 PER PK
TP 11 - R- 1-0/0	1.000----1-0/0"	0.750	0.375	\$11.69	08 PER PK
TP 13 - R- 1-1/4	1.250----1-1/4"	0.937	0.625	\$11.69	06 PER PK
TP 15 - R- 1-1/2	1.500----1-1/2"	1.124	0.625	\$11.69	06 PER PK

CALL FOR CASE QUANTITIES AND AVAILABILITY!

NON-THREADED TAPERED DUAL-FUNCTION CAPS & PLUGS

Specifications:

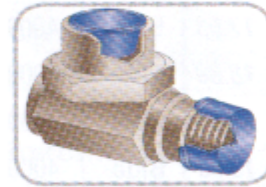
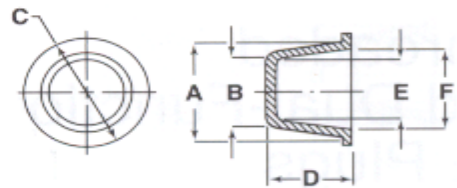
- * Material: Low-Density Polyethylene
- * Color: Blue

Features:

- * Tapered design allows the part to plug multiple inner diameters or cap multiple outside diameters.
- * Protects against damage, dirt, moisture and corrosion during storage and shipping.

To assure proper fit:

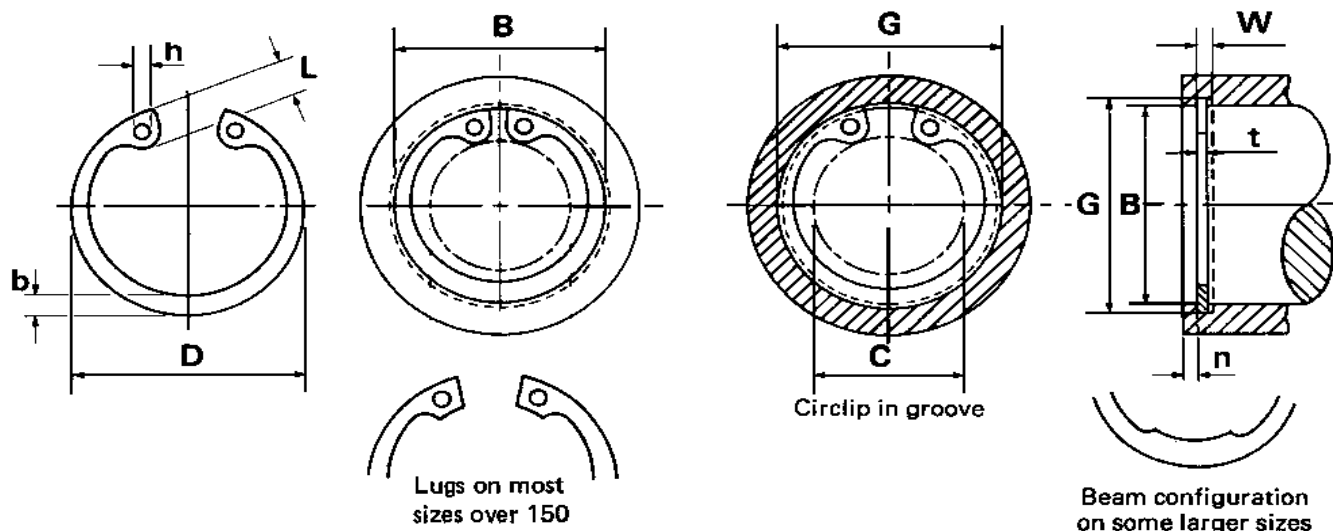
- * Plug dimension "A" should be approx. 1% larger than the inner diameter of the part
Minimum of .020.
- ** Cap Dimension "E" should be approx. 1% smaller than the outside diameter of the part
Minimum of .020



Non-Threaded Tapered Dual-Function Caps & Plugs

ITEM DESCRIPTION	Use as a plug		Use as a cap				LIST PRICE	UOM
	"A"	"B"	"C"	"D"	"E"	"F"		
CP- #2							\$11.69	100 PER PK
CP229 - #08	0.398	0.330	0.563	0.375	0.275	0.330	\$11.69	100 PER PK
CP- #10	0.460	0.390	0.625	0.375	0.325	0.396	\$11.69	100 PER PK
CP181- #11	0.485	0.420	0.594	0.375	0.356	0.421	\$11.69	100 PER PK
CP- #12	0.512	0.447	0.625	0.406	0.385	0.448	\$11.69	75 PER PK
CP241- #16	0.620	0.531	0.750	0.500	0.468	0.555	\$11.69	100 PER PK
CP188- #17	0.634	0.550	0.781	0.500	0.485	0.568	\$11.69	60 PER PK
CP191- #22	0.754	0.675	0.875	0.625	0.615	0.690	\$11.69	60 PER PK
CP203- #23	0.785	0.690	0.938	0.625	0.625	0.724	\$11.69	60 PER PK
CP204- #28	0.910	0.802	1.094	0.750	0.725	0.846	\$11.69	75 PER PK
CP192- #30	0.973	0.856	1.125	0.750	0.768	0.906	\$11.69	75 PER PK
CP- #31	0.975	0.870	1.125	0.625	0.804	0.920	\$11.69	75 PER PK
CP249- #40	1.096	0.966	1.250	0.750	0.902	1.038	\$11.69	50 PER PK
CP- #41	1.145	1.002	1.313	0.750	0.938	1.079	\$11.69	50 PER PK
CP153- #42	1.225	1.110	1.516	0.750	1.038	1.180	\$11.69	50 PER PK
CP205- #46	1.350	1.235	1.500	0.750	1.140	1.295	\$11.69	50 PER PK
CP254- #53	1.600	1.450	1.750	0.750	1.385	1.535	\$11.69	50 PER PK
CP195- #55	1.673	1.560	1.875	0.750	1.497	1.620	\$11.69	45 PER PK
CP255- #57	1.870	1.735	2.031	0.750	1.675	1.820	\$11.69	45 PER PK
CP206- #58	1.958	1.806	2.125	1.000	1.745	1.893	\$11.69	20 PER PK

1300 SERIES INTERNAL RETAINING RINGS



INTERNAL RETAINING RINGS

ITEM DESCRIPTION	BORE DIA.	RING DIAMETER	RING THICKNESS	GROOVE DIAMETER	GROOVE WIDTH	LIST PRICE	UOM
1300-162 INTERNAL SNAP RING	1.625	1.804	0.062	1.725	0.068	\$ 1.97	EA
1300-175 INTERNAL SNAP RING	1.750	1.942	0.062	1.858	0.068	\$ 2.13	EA
1300-200 INTERNAL SNAP RING	2.000	2.210	0.062	2.122	0.068	\$ 2.46	EA
1300-206 INTERNAL SNAP RING	2.062	2.280	0.078	2.186	0.086	\$ 2.53	EA
1300-225 INTERNAL SNAP RING	2.250	2.490	0.078	2.382	0.086	\$ 2.63	EA
1300-244 INTERNAL SNAP RING	2.438	2.702	0.078	2.584	0.086	\$ 2.73	EA
1300-281 INTERNAL SNAP RING	2.812	3.121	0.093	2.980	0.103	\$ 3.50	EA
1300-300 INTERNAL SNAP RING	3.000	3.325	0.093	3.182	0.103	\$ 5.43	EA
1300-306 INTERNAL SNAP RING	3.062	3.418	0.109	3.248	0.120	\$ 5.43	EA
1300-315 INTERNAL SNAP RING	3.156	3.523	0.109	3.348	0.120	\$ 7.01	EA
1300-325 INTERNAL SNAP RING	3.250	3.623	0.109	3.446	0.120	\$ 7.01	EA
1300-350 INTERNAL SNAP RING	3.500	3.890	0.109	3.710	0.120	\$ 7.01	EA
1300-393 INTERNAL SNAP RING	3.938	4.358	0.109	4.174	0.120	\$ 9.00	EA
1300-400 INTERNAL SNAP RING	4.000	4.424	0.109	4.240	0.120	\$ 10.06	EA
1300-462 INTERNAL SNAP RING	4.625	5.076	0.109	4.865	0.120	\$ 10.43	EA
1300-475 INTERNAL SNAP RING	4.750	5.213	0.109	4.995	0.120	\$ 10.47	EA

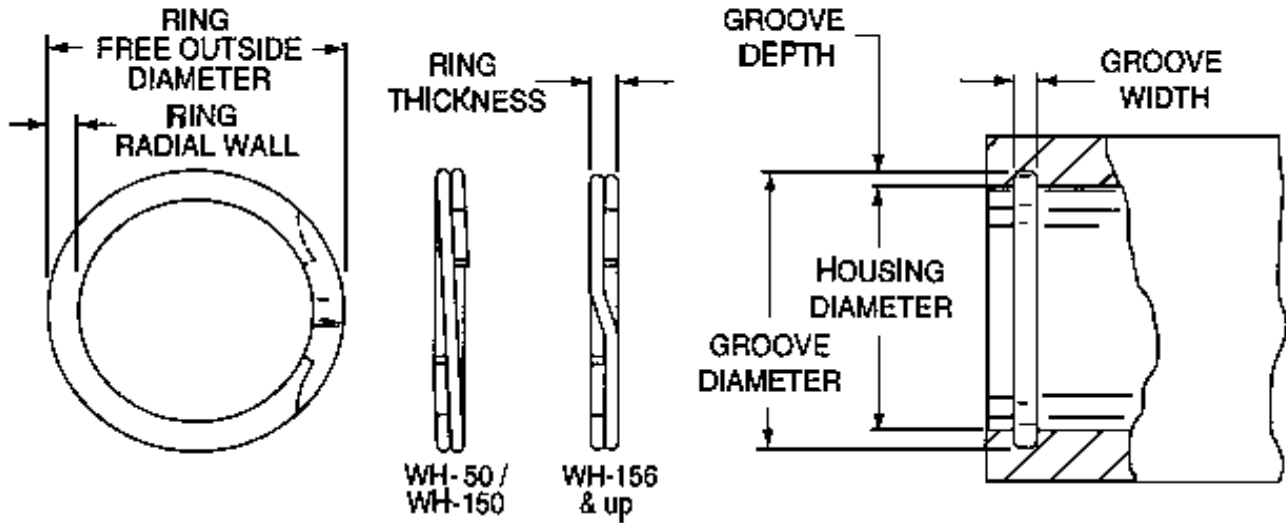
Call or Fax us your order today!

Precision Seals, Inc.
820 Honeysuckle Drive
Fultondale, AL 35068

SALES OFFICE HOURS
7 A.M. TO 5 P.M. CST
www.precisionseals.com

PHONE 205-631-7006 209
FAX 205-631-7032
TOLL FREE 800-233-8585

WH MEDIUM DUTY SERIES RETAINING RINGS



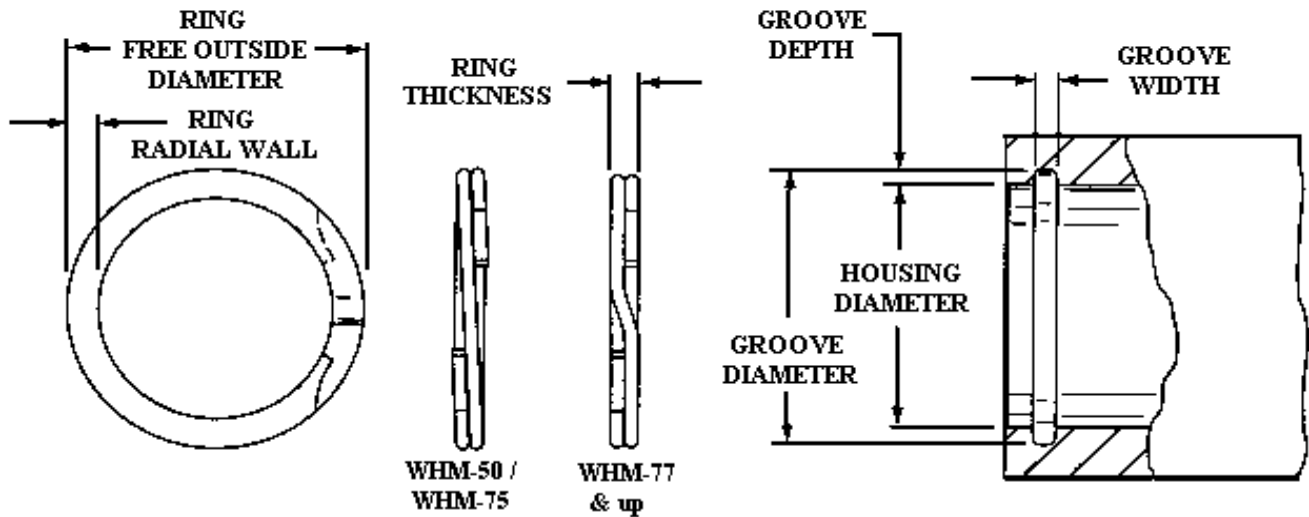
INTERNAL RETAINING RINGS

ITEM DESCRIPTION	BORE DIA.	RING DIAMETER	RING THICKNESS	GROOVE DIAMETER	GROOVE WIDTH	LIST PRICE	UOM
WH-131 INTERNAL RING	1.312	1.374	0.043	1.360	0.048	\$ 1.90	EA
WH-187 INTERNAL RING	1.875	1.960	0.049	1.942	0.056	\$ 3.64	EA
WH-212 INTERNAL RING	2.125	2.217	0.049	2.195	0.056	\$ 4.48	EA
WH-262 INTERNAL RING	2.625	2.736	0.049	2.711	0.056	\$ 5.10	EA
WH-318 INTERNAL RING	3.187	3.311	0.061	3.283	0.068	\$ 6.18	EA
WH-356 INTERNAL RING	3.562	3.703	0.061	3.672	0.068	\$ 7.35	EA
WH-456 INTERNAL RING	4.562	4.737	0.061	4.698	0.068	\$ 9.72	EA

Precision Seals has a wide variety of parts in stock to fill your sealing needs. If you need any part that is not listed, call our sales department and we will try to get you the parts you need.... **fast!**

1-800-233-8585

WHM HEAVY DUTY SERIES RETAINING RINGS



INTERNAL RETAINING RINGS

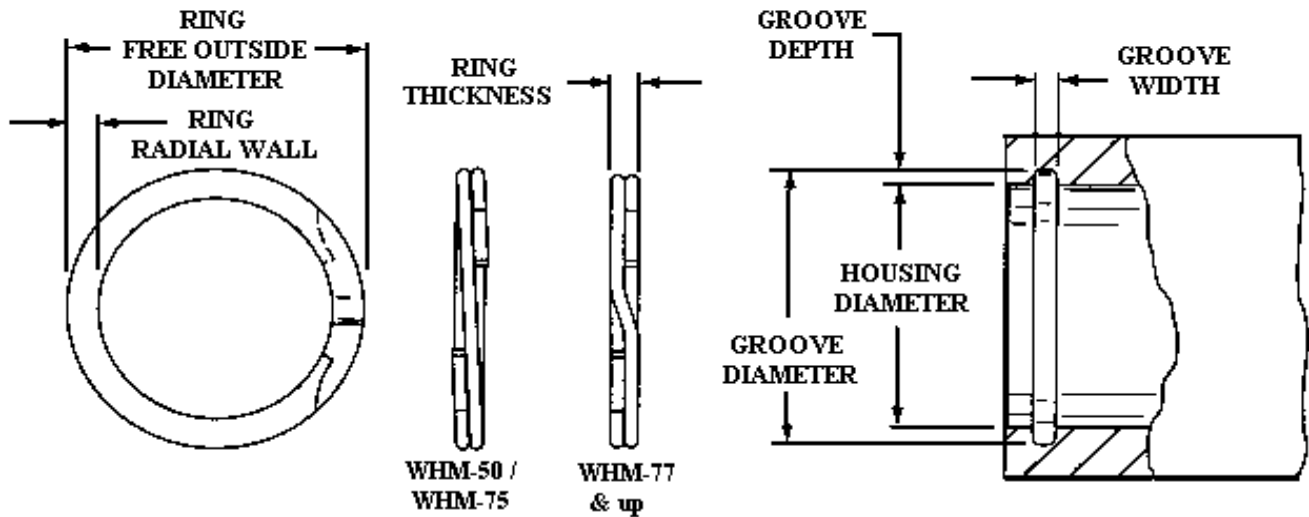
ITEM DESCRIPTION	BORE DIA.	RING DIAMETER	RING THICKNESS	GROOVE DIAMETER	GROOVE WIDTH	LIST PRICE	UOM
WHM-050 INTERNAL RING	0.500	0.538	0.035	0.530	0.039	\$ 2.13	EA
WHM-062 INTERNAL RING	0.625	0.675	0.035	0.665	0.039	\$ 2.67	EA
WHM-075 INTERNAL RING	0.750	0.807	0.035	0.796	0.039	\$ 3.20	EA
WHM-100 INTERNAL RING	1.000	1.080	0.042	1.066	0.046	\$ 3.80	EA
WHM-112 INTERNAL RING	1.125	1.205	0.050	1.197	0.056	\$ 4.80	EA
WHM-125 INTERNAL RING	1.250	1.339	0.050	1.330	0.056	\$ 4.81	EA
WHM-137 INTERNAL RING	1.375	1.471	0.050	1.461	0.056	\$ 5.02	EA
WHM-150 INTERNAL RING	1.500	1.605	0.050	1.594	0.056	\$ 5.12	EA
WHM-156 INTERNAL RING	1.562	1.675	0.062	1.658	0.068	\$ 5.12	EA
WHM-162 INTERNAL RING	1.625	1.742	0.062	1.725	0.068	\$ 5.12	EA
WHM-175 INTERNAL RING	1.750	1.876	0.062	1.858	0.068	\$ 5.12	EA
WHM-187 INTERNAL RING	1.875	2.008	0.062	1.989	0.068	\$ 5.19	EA
WHM-200 INTERNAL RING	2.000	2.142	0.062	2.122	0.068	\$ 5.19	EA
WHM-206 INTERNAL RING	2.062	2.201	0.078	2.186	0.086	\$ 6.40	EA
WHM-218 INTERNAL RING	2.188	2.334	0.078	2.318	0.086	\$ 7.02	EA
WHM-225 INTERNAL RING	2.250	2.399	0.078	2.382	0.086	\$ 6.86	EA
WHM-250 INTERNAL RING	2.500	2.667	0.078	2.648	0.086	\$ 7.89	EA
WHM-283 INTERNAL RING	2.834	3.027	0.093	3.006	0.103	\$ 9.79	EA
WHM-300 INTERNAL RING	3.000	3.204	0.093	3.182	0.103	\$ 10.05	EA
WHM-350 INTERNAL RING	3.500	3.736	0.111	3.710	0.120	\$ 10.25	EA

Precision Seals, Inc.
820 Honeysuckle Drive
Fultondale, AL 35068

SALES OFFICE HOURS
7 A.M. TO 5 P.M. CST
www.precisionseals.com

PHONE 205-631-7006
FAX 205-631-7032
TOLL FREE 800-233-8585

WHM HEAVY DUTY SERIES RETAINING RINGS



INTERNAL RETAINING RINGS

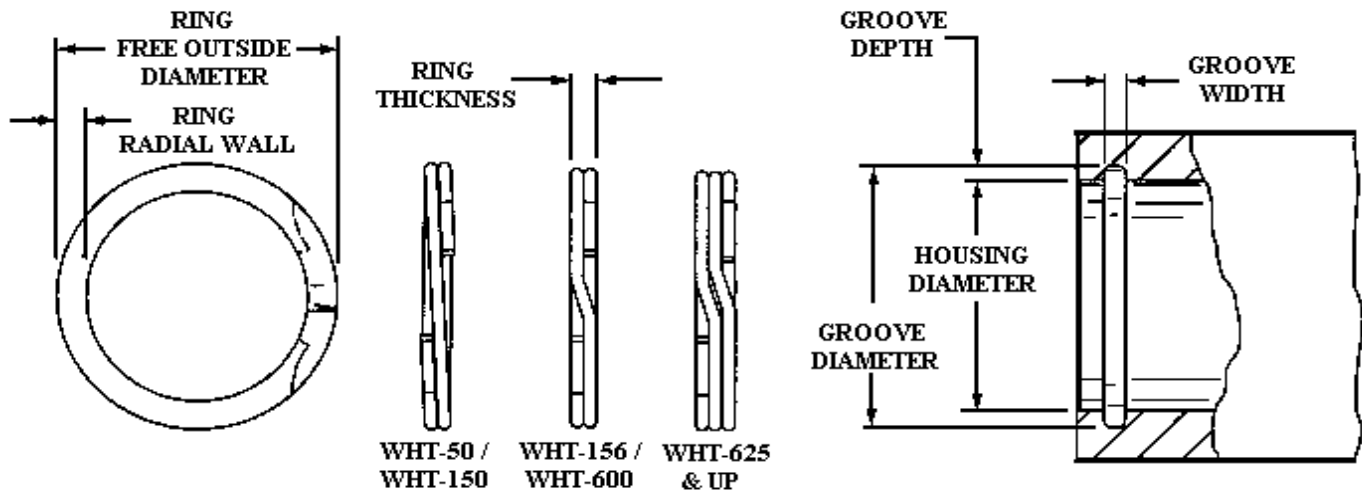
ITEM DESCRIPTION	BORE DIA.	RING DIAMETER	RING THICKNESS	GROOVE DIAMETER	GROOVE WIDTH	LIST PRICE	UOM
WHM-354 INTERNAL RING	3.543	3.781	0.111	3.755	0.120	\$ 14.85	EA
WHM-400 INTERNAL RING	4.000	4.270	0.111	4.240	0.120	\$ 19.49	EA
WHM-425 INTERNAL RING	4.250	4.520	0.111	4.490	0.120	\$ 20.88	EA
WHM-433 INTERNAL RING	4.330	4.600	0.111	4.570	0.120	\$ 21.46	EA
WHM-450 INTERNAL RING	4.500	4.770	0.111	4.740	0.120	\$ 21.75	EA
WHM-475 INTERNAL RING	4.750	5.030	0.111	4.995	0.120	\$ 24.36	EA
WHM-600 INTERNAL RING	6.000	6.314	0.127	6.270	0.139	\$ 29.00	EA
WHM-625 INTERNAL RING	6.250	6.576	0.156	6.530	0.174	\$ 32.48	EA

**All CUSTOMERS are considered
HIGH PRIORITY!**

**Call TODAY and we will be happy to HELP
with all your seal needs.**

1-800-233-8585

WHT MEDIUM HEAVY DUTY SERIES RETAINING RINGS



INTERNAL RETAINING RINGS

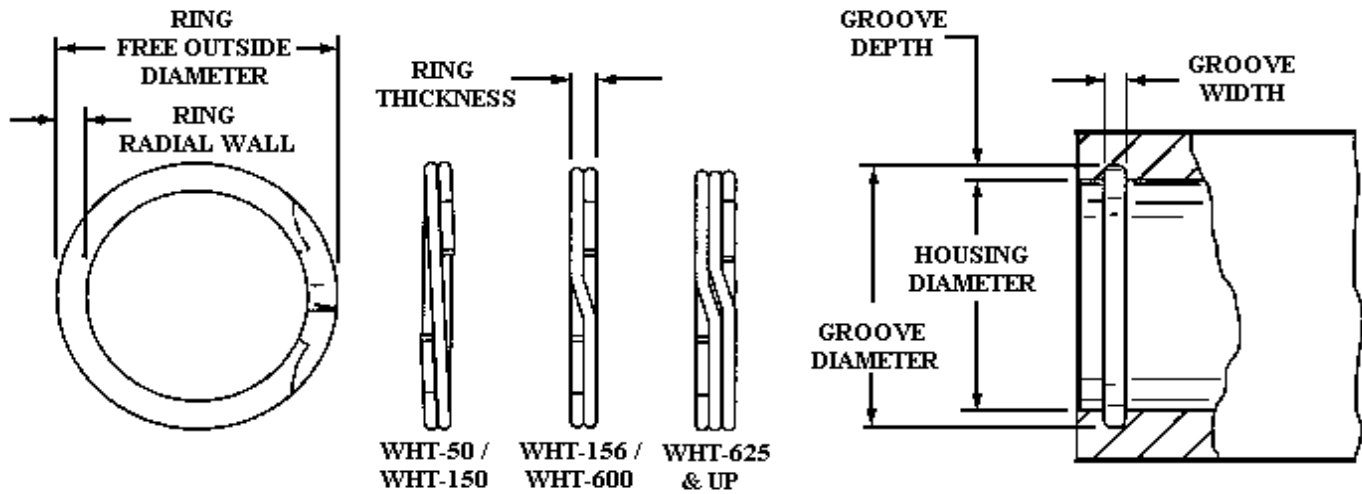
ITEM DESCRIPTION	BORE DIA.	RING DIAMETER	RING THICKNESS	GROOVE DIAMETER	GROOVE WIDTH	LIST PRICE	UOM
WHT-068 INTERNAL RING	0.688	0.730	0.035	0.724	0.039	\$ 1.32	EA
WHT-131 INTERNAL RING	1.312	1.395	0.050	1.385	0.056	\$ 1.94	EA
WHT-150 INTERNAL RING	1.500	1.591	0.050	1.580	0.056	\$ 2.13	EA
WHT-162 INTERNAL RING	1.625	1.727	0.062	1.715	0.068	\$ 2.25	EA
WHT-175 INTERNAL RING	1.750	1.858	0.062	1.845	0.068	\$ 2.32	EA
WHT-187 INTERNAL RING	1.875	1.989	0.062	1.975	0.068	\$ 2.49	EA
WHT-200 INTERNAL RING	2.000	2.125	0.062	2.110	0.068	\$ 3.05	EA
WHT-206 INTERNAL RING	2.062	2.190	0.078	2.175	0.086	\$ 3.54	EA
WHT-218 INTERNAL RING	2.188	2.321	0.078	2.305	0.086	\$ 3.60	EA
WHT-225 INTERNAL RING	2.250	2.386	0.078	2.370	0.086	\$ 6.09	EA
WHT-244 INTERNAL RING	2.440	2.588	0.078	2.570	0.086	\$ 6.09	EA
WHT-250 INTERNAL RING	2.500	2.653	0.078	2.635	0.086	\$ 6.09	EA
WHT-253 INTERNAL RING	2.531	2.687	0.078	2.668	0.086	\$ 6.09	EA
WHT-256 INTERNAL RING	2.562	2.720	0.093	2.700	0.103	\$ 7.02	EA
WHT-275 INTERNAL RING	2.750	2.921	0.093	2.900	0.103	\$ 7.02	EA
WHT-281 INTERNAL RING	2.813	2.987	0.093	2.965	0.103	\$ 7.19	EA
WHT-283 INTERNAL RING	2.834	3.009	0.093	2.987	0.103	\$ 7.19	EA
WHT-300 INTERNAL RING	3.000	3.188	0.093	3.165	0.103	\$ 8.70	EA
WHT-312 INTERNAL RING	3.125	3.318	0.111	3.295	0.120	\$ 8.70	EA
WHT-315 INTERNAL RING	3.156	3.354	0.111	3.328	0.120	\$ 8.70	EA
WHT-325 INTERNAL RING	3.250	3.450	0.111	3.426	0.120	\$ 8.70	EA

Precision Seals, Inc.
820 Honeysuckle Drive
Fultondale, AL 35068

SALES OFFICE HOURS
7 A.M. TO 5 P.M. CST
www.precisionseals.com

PHONE 205-631-7006
FAX 205-631-7032
TOLL FREE 800-233-8585

WHT MEDIUM HEAVY DUTY SERIES RETAINING RINGS

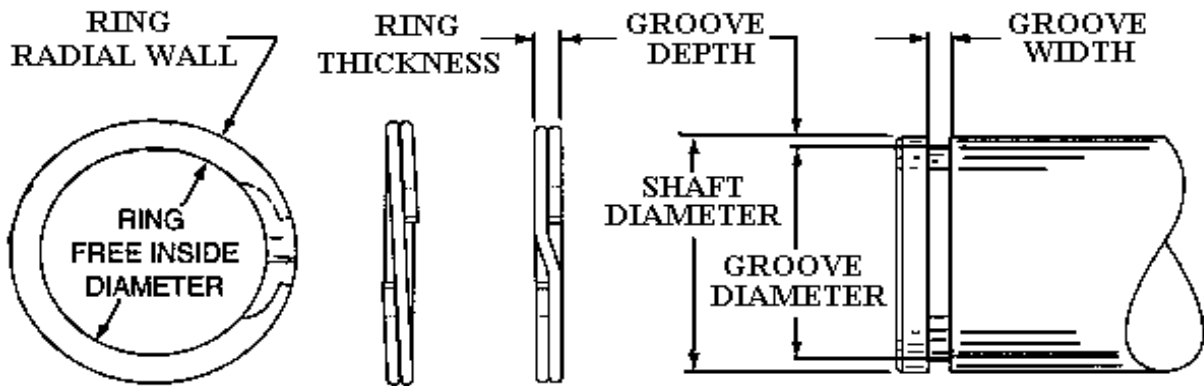


INTERNAL RETAINING RINGS

ITEM DESCRIPTION	BORE DIA.	RING DIAMETER	RING THICKNESS	GROOVE DIAMETER	GROOVE WIDTH	LIST PRICE	UOM
WHT-350 INTERNAL RING	3.500	3.716	0.111	3.690	0.120	\$ 14.62	EA
WHT-356 INTERNAL RING	3.562	3.783	0.111	3.756	0.120	\$ 14.62	EA
WHT-393 INTERNAL RING	3.938	4.178	0.111	4.150	0.120	\$ 14.62	EA
WHT-400 INTERNAL RING	4.000	4.248	0.111	4.220	0.120	\$ 15.66	EA
WHT-450 INTERNAL RING	4.500	4.768	0.111	4.735	0.120	\$ 15.66	EA
WHT-475 INTERNAL RING	4.750	5.028	0.111	4.995	0.120	\$ 16.24	EA
WHT-500 INTERNAL RING	5.000	5.295	0.111	5.260	0.120	\$ 16.24	EA
WHT-550 INTERNAL RING	5.500	5.810	0.127	5.770	0.139	\$ 16.59	EA
WHT-600 INTERNAL RING	6.000	6.314	0.127	6.270	0.139	\$ 21.19	EA
WHT-650 INTERNAL RING	6.500	6.837	0.165	6.790	0.174	\$ 55.42	EA
WHT-662 INTERNAL RING	6.625	6.973	0.165	6.925	0.174	\$ 64.51	EA
WHT-700 INTERNAL RING	7.000	7.366	0.165	7.315	0.174	\$ 42.63	EA
WHT-975 INTERNAL RING	9.750	10.260	0.189	10.189	0.209	\$ 95.32	EA
WHT-1050 INTERNAL RING	10.500	11.072	0.189	10.970	0.209	\$ 102.31	EA

Low minimum of \$10.00 on all orders!

WS MEDIUM DUTY SERIES EXTERNAL RINGS



WS-50 \ WS-156
WS-150 & UP

EXTERNAL RETAINER RINGS

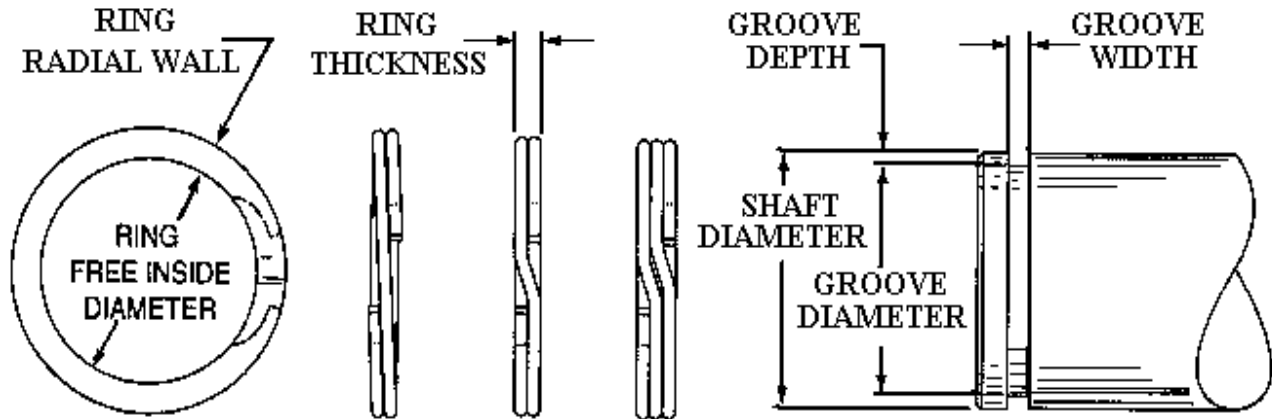
ITEM DESCRIPTION	BORE DIA.	RING DIA.	RING THICKNESS	GROOVE DIAMETER	GROOVE WIDTH	LIST PRICE	UOM
WS-125 EXTERNAL RING	1.250	1.188	0.043	1.202	0.048	\$ 2.00	EA
WS-131 EXTERNAL RING	1.312	1.251	0.043	1.264	0.048	\$ 2.00	EA
WS-137 EXTERNAL RING	1.375	1.308	0.043	1.323	0.048	\$ 2.00	EA
WS-143 EXTERNAL RING	1.437	1.370	0.043	1.385	0.048	\$ 2.17	EA
WS-175 EXTERNAL RING	1.750	1.673	0.049	1.691	0.056	\$ 2.66	EA
WS-196 EXTERNAL RING	1.969	1.882	0.049	1.902	0.056	\$ 2.98	EA
WS-206 EXTERNAL RING	2.062	1.971	0.049	1.992	0.056	\$ 5.02	EA
WS-225 EXTERNAL RING	2.250	2.153	0.049	2.176	0.056	\$ 6.24	EA
WS-231 EXTERNAL RING	2.312	2.211	0.049	2.234	0.056	\$ 5.63	EA
WS-236 EXTERNAL RING	2.362	2.261	0.049	2.284	0.056	\$ 5.75	EA
WS-250 EXTERNAL RING	2.500	2.394	0.049	2.418	0.056	\$ 5.36	EA
WS-268 EXTERNAL RING	2.688	2.572	0.049	2.597	0.056	\$ 6.24	EA
WS-275 EXTERNAL RING	2.750	2.635	0.049	2.660	0.056	\$ 6.24	EA
WS-293 EXTERNAL RING	2.937	2.817	0.049	2.843	0.056	\$ 7.13	EA
WS-312 EXTERNAL RING	3.125	3.000	0.061	3.027	0.068	\$ 7.13	EA
WS-325 EXTERNAL RING	3.250	3.121	0.061	3.150	0.068	\$ 6.87	EA
WS-334 EXTERNAL RING	3.343	3.210	0.061	3.239	0.068	\$ 8.13	EA
WS-362 EXTERNAL RING	3.625	3.483	0.061	3.515	0.068	\$ 8.82	EA
WS-450 EXTERNAL RING	4.500	4.326	0.061	4.364	0.068	\$ 11.65	EA
WS-525 EXTERNAL RING	5.250	5.064	0.072	5.107	0.079	\$ 14.01	EA
WS-537 EXTERNAL RING	5.375	5.187	0.072	5.228	0.079	\$ 15.52	EA
WS-550 EXTERNAL RING	5.500	5.308	0.072	5.353	0.079	\$ 15.83	EA

Precision Seals, Inc.
820 Honeysuckle Drive
Fultondale, AL 35068

SALES OFFICE HOURS
7 A.M. TO 5 P.M. CST
www.precisionseals.com

PHONE 205-631-7006
FAX 205-631-7032
TOLL FREE 800-233-8585

WST MEDIUM HEAVY DUTY SERIES EXT. RINGS

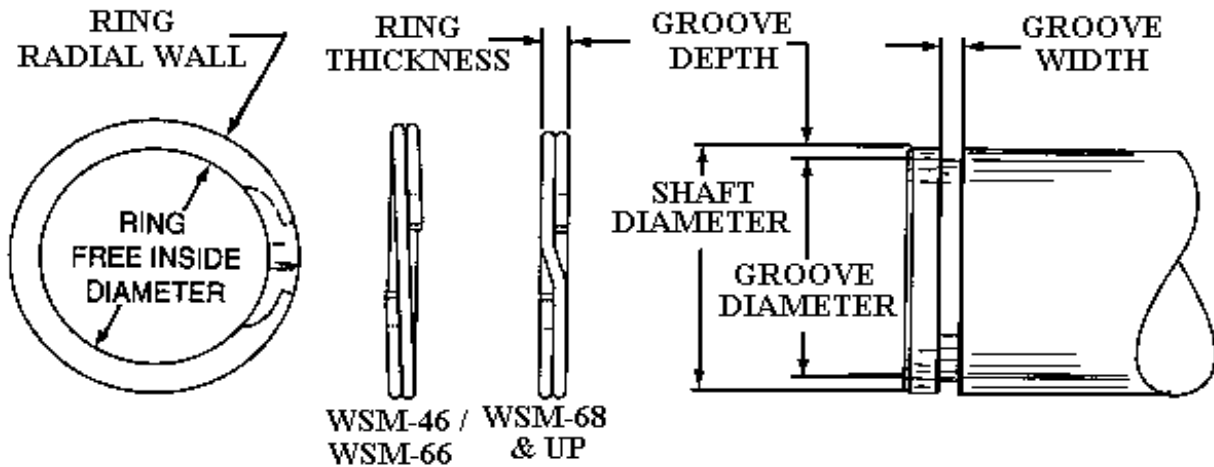


WST-46 / WST-156 / WST-625
WST-150 WST-600 & UP

EXTERNAL RETAINER RINGS

ITEM DESCRIPTION	BORE DIA.	RING DIA.	RING THICKNESS	GROOVE DIAMETER	GROOVE WIDTH	LIST PRICE	UOM
WST-093 EXTERNAL RING	0.938	0.886	0.042	0.894	0.046	\$ 2.26	EA
WST-106 EXTERNAL RING	1.062	1.005	0.050	1.015	0.056	\$ 2.59	EA
WST-162 EXTERNAL RING	1.625	1.537	0.062	1.550	0.068	\$ 5.07	EA
WST-168 EXTERNAL RING	1.687	1.598	0.062	1.610	0.068	\$ 5.07	EA
WST-175 EXTERNAL RING	1.750	1.657	0.062	1.670	0.068	\$ 5.07	EA
WST-243 EXTERNAL RING	2.437	2.307	0.078	2.325	0.086	\$ 5.49	EA
WST-250 EXTERNAL RING	2.500	2.366	0.078	2.385	0.086	\$ 9.99	EA
WST-255 EXTERNAL RING	2.559	2.424	0.078	2.443	0.086	\$ 9.99	EA
WST-262 EXTERNAL RING	2.625	2.485	0.078	2.505	0.086	\$ 9.99	EA
WST-275 EXTERNAL RING	2.750	2.604	0.093	2.625	0.103	\$ 7.92	EA
WST-300 EXTERNAL RING	3.000	2.838	0.093	2.860	0.103	\$ 7.92	EA
WST-343 EXTERNAL RING	3.437	3.254	0.093	3.280	0.103	\$ 9.57	EA
WST-350 EXTERNAL RING	3.500	3.315	0.111	3.340	0.120	\$ 10.96	EA
WST-375 EXTERNAL RING	3.750	3.550	0.111	3.577	0.120	\$ 11.58	EA
WST-400 EXTERNAL RING	4.000	3.787	0.111	3.815	0.120	\$ 21.44	EA
WST-425 EXTERNAL RING	4.250	4.032	0.111	4.065	0.120	\$ 32.89	EA
WST-450 EXTERNAL RING	4.500	4.280	0.111	4.310	0.120	\$ 21.92	EA
WST-500 EXTERNAL RING	5.000	4.755	0.111	4.790	0.120	\$ 24.36	EA
WST-550 EXTERNAL RING	5.500	5.229	0.127	5.265	0.139	\$ 34.35	EA
WST-675 EXTERNAL RING	6.750	6.420	0.165	6.465	0.174	\$ 50.87	EA

WSM HEAVY DUTY SERIES EXTERNAL RINGS



EXTERNAL RETAINER RINGS

ITEM DESCRIPTION	BORE DIA.	RING DIA.	RING THICKNESS	GROOVE DIAMETER	GROOVE WIDTH	LIST PRICE	UOM
WSM-050 EXTERNAL RING	0.500	0.464	0.035	0.466	0.039	\$ 1.83	EA
WSM-062 EXTERNAL RING	0.625	0.583	0.035	0.588	0.039	\$ 2.27	EA
WSM-075 EXTERNAL RING	0.750	0.698	0.042	0.704	0.046	\$ 2.74	EA
WSM-087 EXTERNAL RING	0.875	0.814	0.042	0.821	0.046	\$ 3.18	EA
WSM-100 EXTERNAL RING	1.000	0.932	0.042	0.940	0.046	\$ 3.94	EA
WSM-112 EXTERNAL RING	1.125	1.047	0.050	1.059	0.056	\$ 4.09	EA
WSM-125 EXTERNAL RING	1.250	1.163	0.050	1.176	0.056	\$ 4.09	EA
WSM-137 EXTERNAL RING	1.375	1.277	0.050	1.291	0.056	\$ 4.09	EA
WSM-150 EXTERNAL RING	1.500	1.390	0.050	1.406	0.056	\$ 4.09	EA
WSM-175 EXTERNAL RING	1.750	1.633	0.062	1.650	0.068	\$ 5.32	EA
WSM-200 EXTERNAL RING	2.000	1.867	0.062	1.886	0.068	\$ 6.09	EA
WSM-237 EXTERNAL RING	2.375	2.223	0.078	2.239	0.086	\$ 7.23	EA
WSM-325 EXTERNAL RING	3.250	3.054	0.093	3.076	0.103	\$ 13.60	EA

**Please call 1-800-233-8585
for other available sizes!
Let us be your seal provider!**

Precision Seals, Inc.
820 Honeysuckle Drive
Fultondale, AL 35068

SALES OFFICE HOURS
7 A.M. TO 5 P.M. CST
www.precisionseals.com

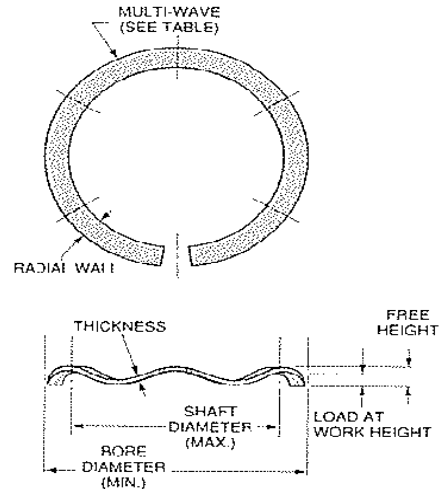
PHONE 205-631-7006 ²¹⁷
FAX 205-631-7032
TOLL FREE 800-233-8585

STANDARD SPRINGS

SSR SERIES

GAP TYPE

4 WAVES & UP



GAP TYPE WAVE SPRINGS

ITEM DESCRIPTION	BORE DIA.	SHAFT DIA.	WORK HEIGHT	NUMBER OF WAVES	THICKNESS*	RADIAL WALL*	LIST PRICE
SSR-0175 WAVE SPRING	1.750	1.440	0.078	4.0	0.018	0.143	\$2.53
SSR-0187 WAVE SPRING	1.875	1.560	0.078	4.0	0.018	0.143	\$2.53
SSR-0200 WAVE SPRING	2.000	1.680	0.093	4.0	0.024	0.150	\$3.79
SSR-0212 WAVE SPRING	2.125	1.800	0.093	4.0	0.024	0.150	\$3.79
SSR-0500 WAVE SPRING	5.000	4.490	0.125	5.0	0.030	0.233	\$22.12
SSR-0525 WAVE SPRING	5.250	4.740	0.125	5.0	0.030	0.233	\$23.61

*THICKNESS & RADIAL WALL SUBJECT TO CHANGE

*Other sizes available upon request.
1-800-233-8585*

COMMERCIAL® HYDRAULICS TELESCOPIC PACKING

COMMERCIAL® HYDRAULICS PACKING

ITEM DESCRIPTION	Outside Dia.	Stage	Height	List Price	UOM
2.75" Commercial® Telescopic V-set & Wiper	3.375	2.750		\$22.68	EA
3.75" Commercial® Telescopic V-set & Wiper	4.375	3.750		\$27.92	EA
4.75" Commercial® Telescopic V-set & Wiper	5.375	4.750		\$34.48	EA
5.75" Commercial® Telescopic V-set & Wiper	6.375	5.750		\$43.04	EA
6.75" Commercial® Telescopic V-set & Wiper	7.375	6.750		\$56.16	EA
7.905" Commercial® Telescopic V-set & Wiper	8.543	7.905		\$75.12	EA
9.375" Commercial® Telescopic V-set & Wiper	10.000	9.375		\$152.56	EA
ITEM DESCRIPTION	Outside Dia.	Stage	Height	List Price	UOM
2.75" Commercial® Flat Bearing	3.375	2.750	1.000	\$20.00	EA
3.75" Commercial® Flat Bearing	4.375	3.750	1.000	\$24.32	EA
4.75" Commercial® Flat Bearing	5.375	4.750	1.000	\$28.36	EA
5.75" Commercial® Flat Bearing	6.375	5.750	1.000	\$32.52	EA
6.75" Commercial® Flat Bearing	7.375	6.750	1.000	\$34.84	EA
7.905" Commercial® Flat Bearing	8.543	7.905	1.000	\$40.00	EA
9.375" Commercial® Flat Bearing	10.000	9.375	1.000	\$71.66	EA

***LET US HELP YOU WITH ALL YOUR
CYLINDER PACKING NEEDS!***

CUSTOM HOISTS® TELESCOPIC PACKING

CUSTOM HOISTS® TELESCOPIC PACKING

ITEM DESCRIPTION	Outside Dia.	Stage Dia.	Height	List Price	UOM
3" CUSTOM HOISTS® V-SET & WIPER	3.500	3.000		\$17.56	EA
4" CUSTOM HOISTS® V-SET & WIPER	4.500	4.000		\$22.76	EA
5" CUSTOM HOISTS® V-SET & WIPER	5.500	5.000		\$31.56	EA
6" CUSTOM HOISTS® V-SET & WIPER	6.500	6.000		\$35.52	EA
7" CUSTOM HOISTS® V-SET & WIPER	7.500	7.000		\$41.60	EA
8" CUSTOM HOISTS® V-SET & WIPER	8.500	8.000		\$52.68	EA
ITEM DESCRIPTION	Outside Dia.	Stage Dia.	Height	List Price	UOM
3" CUSTOM HOISTS® NYLON FLAT BEARING	3.500	3.000	0.750	\$14.84	EA
4" CUSTOM HOISTS® NYLON FLAT BEARING	4.500	4.000	0.750	\$16.84	EA
5" CUSTOM HOISTS® NYLON FLAT BEARING	5.500	5.000	0.750	\$19.40	EA
6" CUSTOM HOISTS® NYLON FLAT BEARING	6.500	6.000	0.750	\$21.48	EA
7" CUSTOM HOISTS® NYLON FLAT BEARING	7.500	7.000	0.750	\$23.88	EA
8" CUSTOM HOISTS® NYLON FLAT BEARING	8.500	8.000	0.750	\$26.08	EA

*Please contact our sales department
with any questions and we will do our best to help
you in any way we can!*

HYCO®

NEW

STYLE 30000 SERIES

HYCO® TELESCOPIC PACKING

ITEM DESCRIPTION	Outside Dia.	Stage Dia.	Height	List Price	UOM
3" HYCO® NEW STYLE V-SET, WIPER & 2-BEARING	3.530	3.000		\$47.24	EA
4" HYCO® NEW STYLE V-SET, WIPER & 2-BEARING	4.530	4.000		\$56.44	EA
5" HYCO® NEW STYLE V-SET, WIPER & 2-BEARING	5.530	5.000		\$70.40	EA
6" HYCO® NEW STYLE V-SET, WIPER & 2-BEARING	6.530	6.000		\$78.52	EA
7" HYCO® NEW STYLE V-SET, WIPER & 2-BEARING	7.530	7.000		\$89.32	EA
8" HYCO® NEW STYLE V-SET, WIPER & 2-BEARING	8.530	8.000		\$104.80	EA

HYCO® OLD STYLE 20000 SERIES

ITEM DESCRIPTION	Outside Dia.	Stage Dia.	Height	List Price	UOM
3.0" HYCO® OLD STYLE V-SET & WIPER	3.500	3.000		\$17.56	EA
4.0" HYCO® OLD STYLE V-SET & WIPER	4.500	4.000		\$22.76	EA
5.0" HYCO® OLD STYLE V-SET & WIPER	5.500	5.000		\$31.56	EA
6.0" HYCO® OLD STYLE V-SET & WIPER	6.500	6.000		\$35.52	EA
7.0" HYCO® OLD STYLE V-SET & WIPER	7.500	7.000		\$41.60	EA
8.0" HYCO® OLD STYLE V-SET & WIPER	8.500	8.000		\$52.68	EA
9.0" HYCO® OLD STYLE V-SET & WIPER	9.750	9.000		\$70.65	EA
9.75" HYCO® OLD STYLE V-SET & WIPER	10.500	9.750		\$91.02	EA

HYCO® - OLD STYLE 20000 SERIES BEARINGS

HYCO® TELESCOPIC PACKING					
ITEM DESCRIPTION	Outside Dia.	Stage Dia.	Height	List Price	UOM
3.000 X 3.500 X .750 HYCO® FLAT BEARING	3.500	3.000	0.750	\$14.84	EA
3.000 X 3.500 X .445 HYCO® STEP BEARING	3.500	3.000	0.445	\$14.84	EA
4.000 X 4.500 X .750 HYCO® FLAT BEARING	4.500	4.000	0.750	\$16.84	EA
4.000 X 4.500 X .445 HYCO® STEP BEARING	4.500	4.000	0.445	\$16.84	EA
5.000 X 5.500 X .750 HYCO® FLAT BEARING	5.500	5.000	0.750	\$19.40	EA
5.000 X 5.500 X .445 HYCO® STEP BEARING	5.500	5.000	0.445	\$19.40	EA
6.000 X 6.500 X .750 HYCO® FLAT BEARING	6.500	6.000	0.750	\$21.48	EA
6.000 X 6.500 X .445 HYCO® STEP BEARING	6.500	6.000	0.445	\$21.48	EA
7.000 X 7.500 X .750 HYCO® FLAT BEARING	7.500	7.000	0.750	\$23.88	EA
7.000 X 7.500 X .445 HYCO® STEP BEARING	7.500	7.000	0.445	\$23.88	EA
8.000 X 8.500 X .750 HYCO® FLAT BEARING	8.500	8.000	0.750	\$26.08	EA
8.000 X 8.500 X .445 HYCO® STEP BEARING	8.500	8.000	0.445	\$26.08	EA
9.000 X 9.750 X .750 HYCO® FLAT BEARING	9.750	9.000	0.750	\$35.20	EA
9.000 X 9.750 X .445 HYCO® STEP BEARING	9.750	9.000	0.445	\$35.20	EA

*Please contact our sales department
for further information.*

MISCELLANEOUS ITEMS

CONTENTS

STANDARD O-RING KIT (70 DURO BUNA)	224	PAGE 298
FLUOROCARBON O-RING KIT (75 DURO)	224	PAGE 298
HNBR AUTOMOTIVE A/C O-RING KIT	224	PAGE 298
QUAD RING KIT (75 DURO)	225	PAGE 299
METRIC BUNA O-RING KIT	225	PAGE 299
JAPANESE INDUSTRIAL O-RING KIT	225	PAGE 299
O-RING WAREHOUSE KIT	226	PAGE 300
DELUXE BOSS BUNA O-RING KIT (90 DURO)	226	PAGE 300
NITRILE SPLICING KIT	227	PAGE 301
FLUOROCARBON SPLICING KIT	227	PAGE 301
U-CUP ASSORTMENT KIT (NITRILE 70 DURO)	227	PAGE 301
CONTOURED BACK-UP RING KIT	228	PAGE 302
TEFLON BACK-UP RING KIT	228	PAGE 302
O-RING MEASUREMENT CONE	228	PAGE 302
O-RING PICK AND HOOK SET	229	PAGE 303
O-RING MEASUREMENT CHART	229	PAGE 303

O-RING KITS

BUNA-N O-RINGS

Standard O-Ring Kit

70 Duro Nitrile Rubber (Buna-N)

30 Sizes

382 Total Rings

006-012 Qty. 20; 110-116 Qty.13;210-222

Qty. 10;325-327 Qty. 7

Handy plastic peg box

List Price \$52.00



FLUOROCARBON O-RING

Fluorocarbon O-Ring Kit

75 Duro Fluorocarbon Rubber O-Rings

30 Sizes

382 Total Rings

006-012 Qty. 20; 110-116 Qty.13;210-222

Qty. 10;325-327 Qty. 7

Handy plastic compartmental box

List Price \$190.00

HNBR AUTOMOTIVE

Automotive A/C O-Ring Kit

12 Most Popular Sizes

200 Total Rings

008, 010, 011, 012, 013, 014, 015, 017,

111, 116, 118 & 211

70 Durometer HNBR (highly saturated nitrile)

Handy plastic compartmental box

List Price \$84.00



O-RING KITS

Quad Ring Kit

75 Duro Nitrile Oil & Water Resistant Rubber

36 Sizes

226 Total Rings

005-012 Qty. 10; 013-016 Qty. 06; 018-017 Qty.05;
110-116 Qty. 06; 117-121 Qty. 04; 210-291 Qty. 05.

Handy plastic compartmental box

List Price \$71.90



METRIC BUNA-N O-RINGS

Metric O-Ring Kit

36 Most Popular Sizes

500 Total Rings

4.3mm x 2.4 mm thru 20mm x 2 mm

30 Duro Nitrile Rubber

Handy plastic compartmental box

List Price \$65.00

JAPANESE INDUSTRIAL O-RING KIT

JIS (Japanese Industrial Standard) & ASTM Stds.

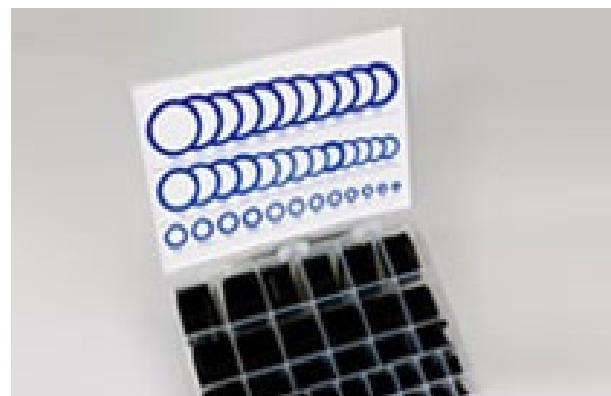
36 Most Popular Sizes (Metric)

380 Total Rings

70 Duro Nitrile Rubber (Buna-N)

Handy plastic compartmental box

List Price \$65.00



WAREHOUSE O-RING KITS & BOSS O-RING KITS

O-RING WAREHOUSE KIT

70 Duro Nitrile Rubber (Buna-N)

Buna-N BOSS O-rings 901-932

150 Sizes, Total Rings 1,110

Handy 18 Drawer Peg Box

Drw.#1 001-014; Drw.#2 015-026; Drw.#3 027-044; Drw.#4 045-116; Drw.#5 117-123; Drw.#6 124-131; Drw.#7 132-139; Drw.#8 140-151; Drw.#9 210-214; Drw.#10 215-219; Drw.#11 220-225; Drw.#12 226-232; Drw.#13 233-325; Drw.#14 326-327; Drw.#15 328-331; Drw.#16 332-336; Drw.#17 337-338 & 901-909; Drw.#18 910-932

List Price \$295.00



O-RING WAREHOUSE KIT

90 Duro Nitrile Rubber (Buna-N)

Buna-N BOSS O-rings 901-932

150 Sizes, Total Rings 1,110

Handy 18 Drawer Peg Box

Drw.#1 001-014; Drw.#2 015-026; Drw.#3 027-044; Drw.#4 045-116; Drw.#5 117-123; Drw.#6 124-131; Drw.#7 132-139; Drw.#8 140-151; Drw.#9 210-214; Drw.#10 215-219; Drw.#11 220-225; Drw.#12 226-232; Drw.#13 233-325; Drw.#14 326-327; Drw.#15 328-331; Drw.#16 332-336; Drw.#17 337-338 & 901-909; Drw.#18 910-932

List Price \$300.00

DELUXE BOSS BUNA-N O-RINGS

Boss Seal O-Ring Kit

90 Durometer Nitrile (Buna-N)

20 Sizes

212 Total Rings

Handy plastic peg box

901-904 Qty. 10; 905-910 Qty.12;

911-932 Qty. 10

List Price \$52.00



SPLICING KITS AND U-CUP ASSORTMENT KITS

NITRILE SPLICING KIT

Each kit contains O-ring Cord, splicing jig, razor, glue and size chart.

Five series of the AS568 thicknesses are available from the 0's, all the way up to a 400 series O-ring thickness. Each kit contains one 7" length of each of the following cross sections: 0.070", 0.103", 0.139", 0.210" and 0.275".

List Price \$54.00



FLUOROCARBON SPLICING KIT

Each kit contains O-ring Cord, splicing jig, razor, glue and size chart.

Five series of the AS568 thicknesses are available from the 0's, all the way up to a 400 series O-ring thickness. Each kit contains one 7" length of each of the following cross sections: 0.070", 0.103", 0.139", 0.210" and 0.275".

List Price \$180.00

U-CUP ASSORTMENT KIT

Nitrile 70 Durometer

U-cup kit includes 180 U-Cups in 36 different AN6226 sizes.

AN6226 sizes: 1 thru 24 and 41 thru 52

List Price \$166.00



BACK-UP RING KITS AND O-RING MEASUREMENT CONE

CONTOURED BACK-UP RING KIT

36 Sizes

293 Total Rings

75% of most used sizes

Handy plastic compartmental box

90 Durometer Nitrile

10 each of the following:

005,006,007,008,009,010,011,012,013,014,015

016,017,018,110,111,112,113,114,115,116:

7 each of the following: 210,211,212,213 and

6 each of the following:

117,118,119,120,121,214,215,216,217,218,219.



List Price \$52.00



List Price \$132.00

TEFLON BACK-UP RING KIT

36 sizes; 325 Total Rings

75% of most used sizes

Handy plastic compartmental box

55 Durometer (Shore D) PTFE

15 each of the following:

005,006,007,008,009,010,011,012:

10 each of the following:

**013,014,015,016,017,018,110,111,112,113,
114,115,116:**

5 each of the following:

**117,118,119,120,121,210,211,212,213,214,215,
216,217,218,219**

O-RING MEASUREMENT CONE

**It measures 184 widely used sizes from 1/4"
thru 5-5/8" ID, in five standard cross sections**



BACK-UP RING KITS AND PICK & HOOK SETS

O-RING PICK & HOOK SET

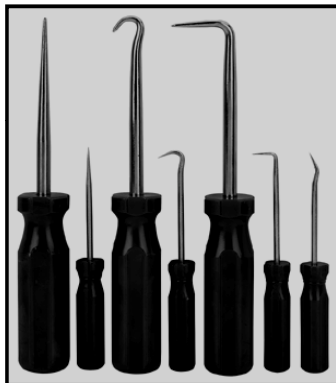
Many Shop , Household & Hobby Uses.

4 Sizes

**Straight Pick, 90° pick, 80° pick
and a complex pick.**

High visibility color

List Price \$13.85



O-RING PICK & HOOK SET

**7 Sizes: 4 Picks 90°, Offset,
Curved and Straight.**

**Hooks and Picks for use on
O-rings, Cotter Keys, Springs,
Snap rings and washers.**

List Price \$33.85

O-RING MEASUREMENT CHART

**It measures 184 widely used sizes from 1/4"
thru 5-5/8" ID, in five standard cross sections**

List Price \$48.99








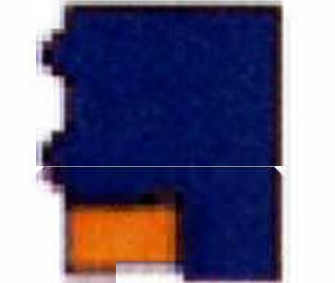
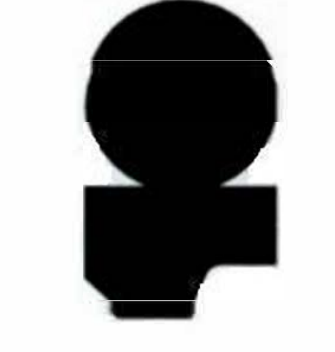
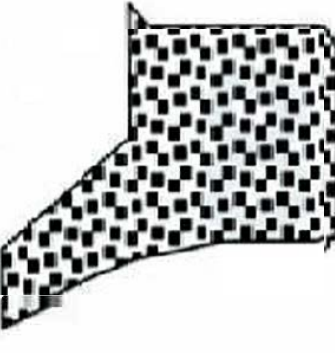


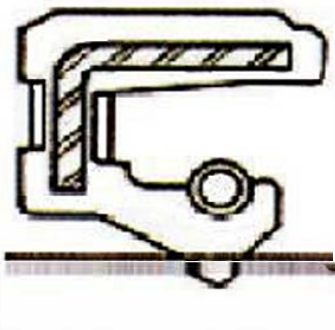
**Precision Seals, Inc.
820 Honeysuckle Drive
Fultondale, AL 35068**

**SALES OFFICE HOURS
7 A.M. TO 5 P.M. CST
www.precisionseals.com**

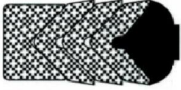

**PHONE 205-631-7006
FAX 205-631-7032
TOLL FREE 800-233-8585**

**PRECISION
SEALS
METRIC
CATALOG**

Sealing Profiles

Type	Profile	Name	Material Options	Page
U-Cups (Hydraulic)		Unloaded 601 Symmetrical U-Cup	Hythane 181	234
		Unloaded 605 Rod U-cup	Hythane 181	241
		Loaded High Pressure 621 Rod Seal	Polyurethane Hythane 181	251
		Unloaded 616 Rod Seal	Hythane 181	255
		Unloaded 606 Piston Seal	Hythane 181	258
Buffer Rings		Buffer Ring Type 653 with anti-extrusion ring	Hythane 181	261
		Buffer Ring Type 416 two piece bronze	40% Bronze Filled	263
Rod Wipers		D Style Type 38	Polyester	267
		H Style Type 839/839N	Polyurethane- Hythane 181	273
		Metal Case Wipers	Polyurethane Metal	278
		Oil Seals	Rubber Coated with Spring	282










Sealing Profiles

Vee-Packing		Type 07 Vee Packing	Rubber/Fabric	288
		Type 13 Chevron Style Vee Packing	Rubber/Fabric Polyacetal	291

Wear Rings		Wear Rings	Glass Filled Nylon	294
		Wear Ring Tape	Bronze Filled PTFE	301
		Wear Ring Tape	Fabric Reinforced Polyester Resin	301

Type	Profile	Name	Material Options	Page
TOOLS		JOHN DEERE INSTALLATION TOOLS	POLYURETHANE	301

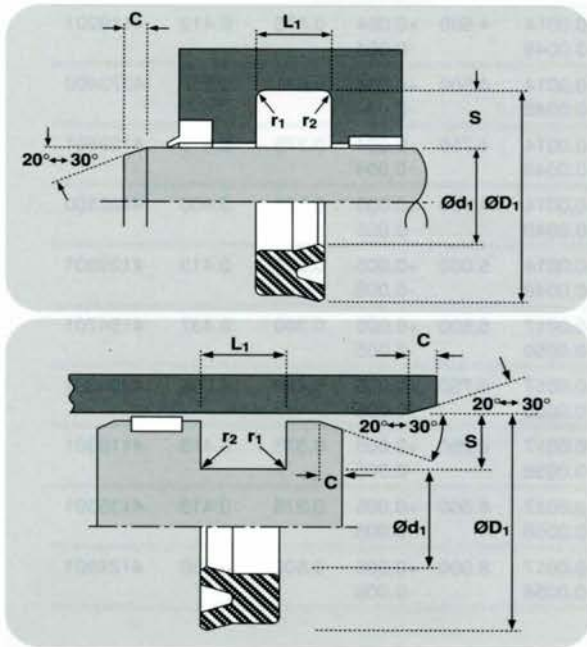
Sealing Profiles

Type	Profile	Name	Material Options	Page
Piston Seals		754 Double Acting Piston Seal	Polyester / Buna-N	304
		735 Double Acting Piston Seal	Bronze Filled / Buna Energiser	309
		Type 50 Double Acting Piston Seal Five Piece	Rubber / Fabric / Nylon	312
		Type 53 Double Acting Piston Seal Five Piece	Nitrile Rubber / Polymer	314
		Type 58 Double Acting Piston Seal Three Piece	Rubber / Fabric / Polyacetal	317
		Type 64 Double Acting Piston Seal Five Piece	Rubber / Fabric / Polymer	321
		Type 65 Double Acting Piston Seal Three Piece	Rubber / Fabric / Polyacetal	323
O-Rings		O-Rings	Buna / Flouorocarbon	325
Back-Ups		Back Up Rings	Buna	352

Rod/Piston seals

TECHNICAL DETAILS		METRIC	INCH				
OPERATING CONDITIONS							
MAXIMUM SPEED	1.0 m/sec	3.0 ft/sec					
TEMPERATURE RANGE	-45°C + 110°C	-50°F + 230°F					
MAXIMUM PRESSURE	400 bar*	6,000 p.s.i.*					
MAXIMUM EXTRUSION GAP							
PRESSURE bar	160	250	400				
MAXIMUM GAP mm	0.6	0.5	0.4				
PRESSURE p.s.i.	2400	3750	6000				
MAXIMUM GAP in	0.024	0.020	0.016				
SURFACE ROUGHNESS							
DYNAMIC SEALING FACE - ROD $\varnothing d_1$	$0.1 \leftrightarrow 0.4$	4 max	$4 \leftrightarrow 16$				
STATIC SEALING FACE - ROD $\varnothing d_1$	1.6 max	10 max	63 max				
DYNAMIC SEALING FACE - PISTON $\varnothing D_1$	$0.1 \leftrightarrow 0.4$	4 max	$4 \leftrightarrow 16$				
STATIC SEALING FACE - PISTON $\varnothing D_1$	1.6 max	10 max	63 max				
STATIC HOUSING FACES L_1	3.2 max	16 max	125 max				
CHAMFERS & RADII							
GROOVE SECTION $\leq S$ mm	4.0	5.0	7.5	10.0	12.5	15.0	20.0
MIN CHAMFER C mm	3.0	3.5	5.0	6.5	7.0	8.0	10.0
MAX FILLET RAD r_1 mm	0.2	0.4	0.8	0.8	1.2	1.6	1.6
MAX FILLET RAD r_2 mm	0.4	0.8	1.2	1.2	1.6	2.4	2.4
GROOVE SECTION $\leq S$ in	0.125	0.187	0.250	0.312	0.375	0.500	
MIN CHAMFER C in	0.093	0.093	0.125	0.156	0.187	0.217	
MAX FILLET RAD r_1 in	0.008	0.008	0.016	0.032	0.032	0.032	
MAX FILLET RAD r_2 in	0.016	0.016	0.032	0.047	0.047	0.047	
TOLERANCES							
ROD	$\varnothing d_1$	$\varnothing D_1$	L_1 mm	L_1 in			
PISTON	f9	Js11	+0.25 -0	+0.010 -0			
	js11	H9	+0.25 -0	+0.010 -0			

* Pressure rating of seal can be extended to 700 bar /10,000p.s.i. with the use of a back up ring. If this option is required seek advice from your local Hallite Seals sales office. Type 606 is preferred for back to back piston application.



DESIGN

The Hallite 601 is a high performance general purpose seal suitable for rod and piston use.

Manufactured in Hythane® 181 - Hallite's 601 is engineered to effect a good seal in most industrial cylinder applications.

The sealing lips are accurately machine trimmed to ensure good low pressure sealing while the material resists extrusion at high pressures.

FEATURES

- GENERAL PURPOSE SEAL
- EXCELLENT TEMPERATURE RESISTANCE
- EASE OF INSTALLATION

NB:

Hallite 606 is the preferred option for back to back piston applications.

Part numbers commencing 46 are designed to suit popular Asian housings.

Part numbers suffixed by "‡" indicate housing sizes to meet ISO5597.

Size lists give "on line" tolerances for rod applications.

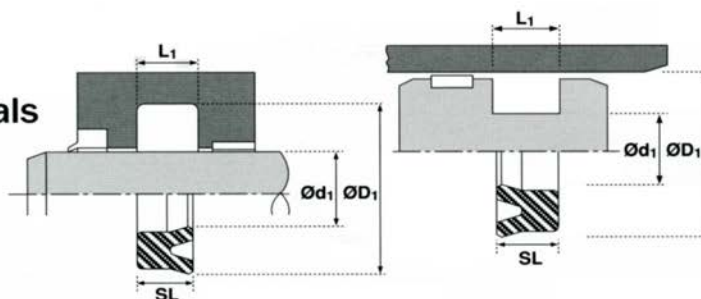


601

Rod/Piston seals

601

metric



TYPE 601 ROD/PISTON SYM SEAL

ITEM DESCRIPTION	ID X OD X HT DIMENSIONS	SALES PRICE	UOM
601 METRIC SYM SEAL 4.5X12.5X5.0	4.5MM X 12.5MM X 5.0MM	\$5.41	EA
601 METRIC SYM SEAL 5.0X12X6.5	5.0MM X 12MM X 6.5MM	\$5.46	EA
601 METRIC SYM SEAL 6.0X13X9.0	6.0MM X 13MM X 9.0MM	\$6.17	EA
601 METRIC SYM SEAL 10X18X6.6	10MM X 18MM X 6.6MM	\$6.17	EA
601 METRIC SYM SEAL 10X20X9.0	10MM X 20MM X 9.0MM	\$6.67	EA
601 METRIC SYM SEAL 12X18X7.0	12MM X 18MM X 7.0MM	\$6.62	EA
601 METRIC SYM SEAL 12X20X5.0	12MM X 20MM X 5.0MM	\$6.67	EA
601 METRIC SYM SEAL 12X25X9.0	12MM X 25MM X 9.0MM	\$6.67	EA
601 METRIC SYM SEAL 14X22X5.0	14MM X 22MM X 5.0MM	\$7.45	EA
601 METRIC SYM SEAL 14X22X5.7	14MM X 22MM X 5.7MM	\$15.74	EA
601 METRIC SYM SEAL 14X24X9.0	14MM X 24MM X 9.0MM	\$6.67	EA
601 METRIC SYM SEAL 15X25X8.5	15MM X 25MM X 8.5MM	\$6.67	EA
601 METRIC SYM SEAL 15X25X9.0	15MM X 25MM X 9.0MM	\$6.67	EA
601 METRIC SYM SEAL 16X24X5.0	16MM X 24MM X 5.0MM	\$7.07	EA
601 METRIC SYM SEAL 16X24X5.7	16MM X 24MM X 5.7MM	\$7.07	EA
601 METRIC SYM SEAL 16X26X9.0	16MM X 26MM X 9.0MM	\$7.07	EA
601 METRIC SYM SEAL 18X26X5.0	18MM X 26MM X 5.0MM	\$7.07	EA
601 METRIC SYM SEAL 18X28X8.0	18MM X 28MM X 8.0MM	\$7.07	EA
601 METRIC SYM SEAL 20X28X5.0	20MM X 28MM X 5.0MM	\$7.07	EA
601 METRIC SYM SEAL 20X28X5.7	20MM X 28MM X 5.7MM	\$7.07	EA
601 METRIC SYM SEAL 20X30X9.0	20MM X 30MM X 9.0MM	\$7.07	EA
601 METRIC SYM SEAL 20X30X10.0	20MM X 30MM X 10.0MM	\$15.02	EA

TYPE 601 ROD/PISTON SYM SEAL

ITEM DESCRIPTION	ID X OD X HT DIMENSIONS	SALES PRICE	UOM
601 METRIC SYM SEAL 22X30X5.0	22MM X 30MM X 5.0MM	\$6.67	EA
601 METRIC SYM SEAL 22X35X11.0	22MM X 35MM X 11.0MM	\$7.07	EA
601 METRIC SYM SEAL 22X40X11.0	22MM X 40MM X 11.0MM	\$7.87	EA
601 METRIC SYM SEAL 22.4X30.0X5.7	22.4MM X 30MM X 5.7MM	\$6.97	EA
601 METRIC SYM SEAL 22.4X32.4X9.0	22.4MM X 32.4MM X 9.0MM	\$6.97	EA
601 METRIC SYM SEAL 23.5X31.5X5.7	23.5MM X 31.5MM X 5.7MM	\$6.52	EA
601 METRIC SYM SEAL 25X33X5.0	25MM X 33MM X 5.0MM	\$6.97	EA
601 METRIC SYM SEAL 25X35X9.0	25MM X 35MM X 9.0MM	\$7.42	EA
601 METRIC SYM SEAL 25X35X11.0	25MM X 35MM X 11.0MM	\$7.42	EA
601 METRIC SYM SEAL 25X38X9.0	25MM X 38MM X 9.0MM	\$7.42	EA
601 METRIC SYM SEAL 25X40X11.0	25MM X 40MM X 11.0MM	\$7.82	EA
601 METRIC SYM SEAL 25X38X11.0	25MM X 38MM X 11.0MM	\$8.62	EA
601 METRIC SYM SEAL 25X45X10.0	25MM X 45MM X 10.0MM	\$5.81	EA
601 METRIC SYM SEAL 26X40X10.0	26MM X 40MM X 10.0MM	\$9.83	EA
601 METRIC SYM SEAL 28X35.5X5.7	28MM X 35.5MM X 5.7MM	\$7.42	EA
601 METRIC SYM SEAL 28X36X7.1	28MM X 36MM X 7.1MM	\$7.42	EA
601 METRIC SYM SEAL 28X38X6.3	28MM X 38MM X 6.3MM	\$7.42	EA
601 METRIC SYM SEAL 28X38X10.0	28MM X 38MM X 10.0MM	\$8.16	EA
601 METRIC SYM SEAL 28X40X11.0	28MM X 40MM X 11.0MM	\$7.42	EA
601 METRIC SYM SEAL 28X43X11.0	28MM X 43MM X 11.0MM	\$7.52	EA
601 METRIC SYM SEAL 30X37X7.0	30MM X 37MM X 7.0MM	\$5.82	EA
601 METRIC SYM SEAL 30X38X6.3	30MM X 38MM X 6.3MM	\$12.60	EA
601 METRIC SYM SEAL 30X40X6.3	30MM X 40MM X 6.3MM	\$7.52	EA
601 METRIC SYM SEAL 30X40X7.0	30MM X 40MM X 7.0MM	\$7.52	EA
601 METRIC SYM SEAL 30X40X9.0	30MM X 40MM X 9.0MM	\$8.07	EA
601 METRIC SYM SEAL 30X40X11.0	30MM X 40MM X 11.0MM	\$7.52	EA
601 METRIC SYM SEAL 30X45X11.0	30MM X 45MM X 11.0MM	\$8.32	EA
601 METRIC SYM SEAL 31.5X41.5X7.0	31.5MM X 41.5MM X 7.0MM	\$7.72	EA
601 METRIC SYM SEAL 32X40X6.0	32MM X 40MM X 6.0MM	\$7.72	EA
601 METRIC SYM SEAL 32X42X6.3	32MM X 42MM X 6.3MM	\$7.72	EA
601 METRIC SYM SEAL 32X42X7.0	32MM X 42MM X 7.0MM	\$7.72	EA
601 METRIC SYM SEAL 32X42X11.0	32MM X 42MM X 11.0MM	\$7.72	EA
601 METRIC SYM SEAL 32X47X11.0	32MM X 47MM X 11.0MM	\$8.77	EA
601 METRIC SYM SEAL 35X45X7.0	35MM X 45MM X 7.0MM	\$8.77	EA
601 METRIC SYM SEAL 35X45X8.0	35MM X 45MM X 8.0MM	\$8.77	EA

Precision Seals, Inc.
820 Honeysuckle Drive
Fultondale, AL 35068

SALES OFFICE HOURS
7 A.M. TO 5 P.M. CST
www.precisionseals.com

Phone 205-631-7006
Fax 205-631-7032
Toll Free 800-233-8585

TYPE 601 ROD/PISTON SYM SEAL

ITEM DESCRIPTION	ID X OD X HT DIMENSIONS	SALES PRICE	UOM
601 METRIC SYM SEAL 35X48X11.0	35MM X 48MM X 11.0MM	\$8.77	EA
601 METRIC SYM SEAL 35X50X11.0	35MM X 50MM X 11.0MM	\$8.77	EA
601 METRIC SYM SEAL 35.5X45X7.0	35.5MM X 45MM X 7.0MM	\$8.77	EA
601 METRIC SYM SEAL 35.5X50.5X11.0	35.5MM X 50.5MM X 11.0MM	\$10.53	EA
601 METRIC SYM SEAL 36X46X6.3	36MM X 46MM X 6.3MM	\$7.52	EA
601 METRIC SYM SEAL 38X48X7.0	38MM X 48MM X 7.0MM	\$8.77	EA
601 METRIC SYM SEAL 38X50X10.0	38MM X 50MM X 10.0MM	\$8.47	EA
601 METRIC SYM SEAL 38X55X11.0	38MM X 55MM X 11.0MM	\$8.02	EA
601 METRIC SYM SEAL 38X58X11.0	38MM X 58MM X 11.0MM	\$10.48	EA
601 METRIC SYM SEAL 40X50X6.3	40MM X 50MM X 6.3MM	\$7.72	EA
601 METRIC SYM SEAL 40X50X7.0	40MM X 50MM X 7.0MM	\$7.72	EA
601 METRIC SYM SEAL 40X50X11.0	40MM X 50MM X 11.0MM	\$7.82	EA
601 METRIC SYM SEAL 40X55X11.0	40MM X 55MM X 11.0MM	\$7.82	EA
601 METRIC SYM SEAL 40X60X13.0	40MM X 60MM X 13.0MM	\$10.28	EA
601 METRIC SYM SEAL 45X55X7.0	45MM X 55MM X 7.0MM	\$8.02	EA
601 METRIC SYM SEAL 45X55X11.0	45MM X 55MM X 11.0MM	\$8.02	EA
601 METRIC SYM SEAL 45X56X8.0	45MM X 56MM X 8.0MM	\$8.02	EA
601 METRIC SYM SEAL 45X60X11.0	45MM X 60MM X 11.0MM	\$7.72	EA
601 METRIC SYM SEAL 45X65X11.0	45MM X 65MM X 11.0MM	\$11.03	EA
601 METRIC SYM SEAL 46X56X7.0	46MM X 56MM X 7.0MM	\$9.23	EA
601 METRIC SYM SEAL 48X58X8.0	48MM X 58MM X 8.0MM	\$12.46	EA
601 METRIC SYM SEAL 48X58X10.0	48MM X 58MM X 10.0MM	\$7.37	EA
601 METRIC SYM SEAL 48X63X11.0	48MM X 63MM X 11.0MM	\$9.23	EA
601 METRIC SYM SEAL 50X60X7.0	50MM X 60MM X 7.0MM	\$8.17	EA
601 METRIC SYM SEAL 50X60X11.0	50MM X 60MM X 11.0MM	\$8.17	EA
601 METRIC SYM SEAL 50X63X6.0	50MM X 63MM X 6.0MM	\$14.00	EA
601 METRIC SYM SEAL 50X65X11.0	50MM X 65MM X 11.0MM	\$11.03	EA
601 METRIC SYM SEAL 50X66X12.0	50MM X 66MM X 12.0MM	\$27.95	EA
601 METRIC SYM SEAL 50X70X 13.0	50MM X 70MM X 13.0MM	\$11.03	EA
601 METRIC SYM SEAL 52X62X11.0	52MM X 62MM X 11.0MM	\$15.24	EA
601 METRIC SYM SEAL 53X63X7.0	53MM X 63MM X 7.0MM	\$8.17	EA
601 METRIC SYM SEAL 55X65X7.0	55MM X 65MM X 7.0MM	\$9.23	EA
601 METRIC SYM SEAL 55X75X13.0	55MM X 75MM X 13.0MM	\$12.08	EA
601 METRIC SYM SEAL 56X66X7.0	56MM X 66MM X 7.0MM	\$9.23	EA
601 METRIC SYM SEAL 56X71X9.5	56MM X 71MM X 9.5MM	\$11.03	EA

Precision Seals, Inc.
820 Honeysuckle Drive
Fultondale, AL 35068

SALES OFFICE HOURS
7 A.M. TO 5 P.M. CST
www.precisionseals.com

Phone 205-631-7006
Fax 205-631-7032
Toll Free 800-233-8585

TYPE 601 ROD/PISTON SYM SEAL

ITEM DESCRIPTION	ID X OD X HT DIMENSIONS	SALES PRICE	UOM
601 METRIC SYM SEAL 60X70X7.0	60MM X 70MM X 7.0MM	\$9.98	EA
601 METRIC SYM SEAL 60X70X11.0	60MM X 70MM X 11.0MM	\$9.98	EA
601 METRIC SYM SEAL 60X71X8.0	60MM X 71MM X 8.0MM	\$9.98	EA
601 METRIC SYM SEAL 60X76X13.0	60MM X 76MM X 13.0MM	\$15.99	EA
601 METRIC SYM SEAL 60X80X13.0	60MM X 80MM X 13.0MM	\$11.93	EA
601 METRIC SYM SEAL 63X73X7.0	63MM X 73MM X 7.0MM	\$9.98	EA
601 METRIC SYM SEAL 63X73X8.75	63MM X 73MM X 8.75MM	\$9.98	EA
601 METRIC SYM SEAL 63X73X13.0	63MM X 73MM X 13.0MM	\$9.98	EA
601 METRIC SYM SEAL 63X75X8.7	63MM X 75MM X 8.7MM	\$13.99	EA
601 METRIC SYM SEAL 63X78X9.5	63MM X 78MM X 9.5MM	\$11.33	EA
601 METRIC SYM SEAL 65X75X7.0	65MM X 75MM X 7.0MM	\$9.98	EA
601 METRIC SYM SEAL 65X80X9.5	65MM X 80MM X 9.5MM	\$11.93	EA
601 METRIC SYM SEAL 65X85X13.0	65MM X 85MM X 13.0MM	\$11.93	EA
601 METRIC SYM SEAL 70X80X7.0	70MM X 80MM X 7.0MM	\$11.93	EA
601 METRIC SYM SEAL 70X80X10.0	70MM X 80MM X 10.0MM	\$14.67	EA
601 METRIC SYM SEAL 70X80X13.0	70MM X 80MM X 13.0MM	\$11.93	EA
601 METRIC SYM SEAL 70X85X9.5	70MM X 85MM X 9.5MM	\$13.89	EA
601 METRIC SYM SEAL 70X90X13.0	70MM X 90MM X 13.0MM	\$13.89	EA
601 METRIC SYM SEAL 70X92X13.0	70MM X 92MM X 13.0MM	\$11.93	EA
601 METRIC SYM SEAL 71X80X7.0	71MM X 80MM X 7.0MM	\$12.08	EA
601 METRIC SYM SEAL 75X85X7.0	75MM X 85MM X 7.0MM	\$12.08	EA
601 METRIC SYM SEAL 75X85X13.0	75MM X 85MM X 13.0MM	\$14.49	EA
601 METRIC SYM SEAL 75X95X13.0	75MM X 95MM X 13.0MM	\$11.63	EA
601 METRIC SYM SEAL 75X100X24.0	75MM X 100MM X 24.0MM	\$19.20	EA
601 METRIC SYM SEAL 80X90X7.0	80MM X 90MM X 7.0MM	\$11.63	EA
601 METRIC SYM SEAL 80X90X8.75	80MM X 90MM X 8.75MM	\$11.63	EA
601 METRIC SYM SEAL 80X90X13.0	80MM X 90MM X 13.0MM	\$12.73	EA
601 METRIC SYM SEAL 80X95X9.5	80MM X 95MM X 9.5MM	\$15.09	EA
601 METRIC SYM SEAL 80X100X13.0	80MM X 100MM X 13.0MM	\$12.99	EA
601 METRIC SYM SEAL 85X100X10.0	85MM X 100MM X 10.0MM	\$15.69	EA
601 METRIC SYM SEAL 85X105X13.0	85MM X 105MM X 13.0MM	\$12.08	EA
601 METRIC SYM SEAL 90X100X13.0	90MM X 100MM X 13.0MM	\$15.09	EA
601 METRIC SYM SEAL 90X105X10.0	90MM X 105MM X 10.0MM	\$16.75	EA
601 METRIC SYM SEAL 90X110X13.0	90MM X 110MM X 13.0MM	\$16.72	EA

TYPE 601 ROD/PISTON SYM SEAL

ITEM DESCRIPTION	ID X OD X HT DIMENSIONS	SALES PRICE	UOM
601 METRIC SYM SEAL 95X110X10.0	95MM X 110MM X 10.0MM	\$20.05	EA
601 METRIC SYM SEAL 95X115X13.0	95MM X 115MM X 13.0MM	\$20.05	EA
601 METRIC SYM SEAL 100X115X10.0	100MM X 115MM X 10.0MM	\$20.05	EA
601 METRIC SYM SEAL 100X120X12.5	100MM X 120MM X 12.5MM	\$20.05	EA
601 METRIC SYM SEAL 100X120X13.0	100MM X 120MM X 13.0MM	\$16.90	EA
601 METRIC SYM SEAL 100X125X20.0	100MM X 125MM X 20.0MM	\$72.15	EA
601 METRIC SYM SEAL 105X125X12.5	105MM X 125MM X 12.5MM	\$16.90	EA
601 METRIC SYM SEAL 105X125X15.0	105MM X 125MM X 15.0MM	\$16.90	EA
601 METRIC SYM SEAL 110X130X10.0	110MM X 130MM X 10.0MM	\$31.74	EA
601 METRIC SYM SEAL 110X130X11.0	110MM X 130MM X 11.0MM	POR	EA
601 METRIC SYM SEAL 110X130X12.5	110MM X 130MM X 12.5MM	\$29.98	EA
601 METRIC SYM SEAL 110X130X17.0	110MM X 130MM X 17.0MM	\$29.98	EA
601 METRIC SYM SEAL 112X125X10.0	112MM X 125MM X 10.0MM	\$14.14	EA
601 METRIC SYM SEAL 115X125X14.0	115MM X 125MM X 14.0MM	\$31.24	EA
601 METRIC SYM SEAL 115X126X15.8	115MM X 126MM X 15.8MM	\$31.24	EA
601 METRIC SYM SEAL 115X130X10.0	115MM X 130MM X 10.0MM	\$18.40	EA
601 METRIC SYM SEAL 115X135X17.0	115MM X 135MM X 17.0MM	\$31.24	EA
601 METRIC SYM SEAL 120X135X14.5	120MM X 135MM X 14.5MM	\$37.83	EA
601 METRIC SYM SEAL 120X140X11.0	120MM X 140MM X 10.0MM	\$25.82	EA
601 METRIC SYM SEAL 120X140X16.0	120MM X 140MM X 16.0MM	\$32.19	EA
601 METRIC SYM SEAL 120X140X17.0	120MM X 140MM X 17.0MM	\$24.87	EA
601 METRIC SYM SEAL 125X140X10.0	125MM X 140MM X 10.0MM	\$16.80	EA
601 METRIC SYM SEAL 125X145X12.5	125MM X 145MM X 12.5MM	\$33.24	EA
601 METRIC SYM SEAL 125X145X17.0	125MM X 145MM X 17.0MM	\$24.87	EA
601 METRIC SYM SEAL 130X150X17.0	130MM X 150MM X 17.0MM	\$25.57	EA
601 METRIC SYM SEAL 136X150X9.5	136MM X 150MM X 9.5MM	\$24.87	EA
601 METRIC SYM SEAL 140X154X10.0	140MM X 154MM X 10.0MM	\$24.22	EA
601 METRIC SYM SEAL 140X155X10.0	140MM X 155MM X 10.0MM	\$24.22	EA
601 METRIC SYM SEAL 140X160X17.0	140MM X 160MM X 17.0MM	\$25.92	EA
601 METRIC SYM SEAL 145X160X10.0	145MM X 160MM X 10.0MM	\$25.57	EA
601 METRIC SYM SEAL 145X165X17.0	145MM X 165MM X 17.0MM	\$30.93	EA
601 METRIC SYM SEAL 150X165X10.0	150MM X 165MM X 10.0MM	\$29.58	EA
601 METRIC SYM SEAL 150X170X17.0	150MM X 170MM X 17.0MM	\$30.83	EA
601 METRIC SYM SEAL 155X170X10.0	155MM X 170MM X 10.0MM	\$18.50	EA
601 METRIC SYM SEAL 155X180X17.0	155MM X 180MM X 17.0MM	\$34.49	EA

Precision Seals, Inc.
820 Honeysuckle Drive
Fultondale, AL 35068

SALES OFFICE HOURS
7 A.M. TO 5 P.M. CST
www.precisionseals.com

Phone 205-631-7006
Fax 205-631-7032
Toll Free 800-233-8585

TYPE 601 ROD/PISTON SYM SEAL

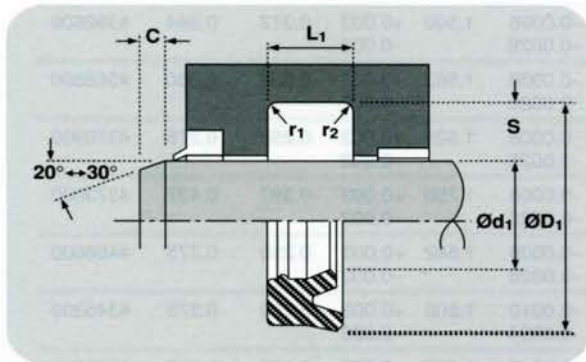
ITEM DESCRIPTION	ID X OD X HT DIMENSIONS	SALES PRICE	UOM
601 METRIC SYM SEAL 160X175X10.0	160MM X 175MM X 10.0MM	\$37.00	EA
601 METRIC SYM SEAL 160X185X17.0	160MM X 185MM X 17.0MM	\$37.95	EA
601 METRIC SYM SEAL 165X180X10.0	165MM X 180MM X 10.0MM	\$3.66	EA
601 METRIC SYM SEAL 165X183X11.0	165MM X 183MM X 11.0MM	\$38.55	EA
601 METRIC SYM SEAL 165X190X17.0	165MM X 190MM X 17.0MM	\$40.76	EA
601 METRIC SYM SEAL 170X195X17.0	170MM X 195MM X 17.0MM	\$42.67	EA
601 METRIC SYM SEAL 170X200X19.0	170MM X 200MM X 19.0MM	\$292.30	EA
601 METRIC SYM SEAL 175X190X10.0	175MM X 190MM X 10.0MM	\$35.60	EA
601 METRIC SYM SEAL 175X200X17.0	175MM X 200MM X 17.0MM	\$44.12	EA
601 METRIC SYM SEAL 180X200X13.0	180MM X 200MM X 13.0MM	\$45.87	EA
601 METRIC SYM SEAL 180X205X17.0	180MM X 205MM X 17.0MM	\$46.68	EA
601 METRIC SYM SEAL 190X210X13.0	190MM X 210MM X 13.0MM	\$48.43	EA
601 METRIC SYM SEAL 190X215X17.0	190MM X 215MM X 17.0MM	\$49.38	EA
601 METRIC SYM SEAL 195X225X18.5	195MM X 225MM X 18.5MM	\$139.97	EA
601 METRIC SYM SEAL 200X220X13.0	200MM X 220MM X 13.0MM	\$50.19	EA
601 METRIC SYM SEAL 200X225X17.0	200MM X 225MM X 17.0MM	\$50.79	EA
601 METRIC SYM SEAL 210X235X20.0	210MM X 235MM X 20.0MM	\$53.14	EA
601 METRIC SYM SEAL 220X240X13.0	220MM X 240MM X 13.0MM	\$53.18	EA
601 METRIC SYM SEAL 220X250X19.2	220MM X 250MM X 19.2MM	\$54.50	EA
601 METRIC SYM SEAL 230X250X13.0	230MM X 250MM X 13.0MM	\$54.50	EA
601 METRIC SYM SEAL 240X260X13.0	240MM X 260MM X 13.0MM	\$54.25	EA
601 METRIC SYM SEAL 240X265X20.0	240MM X 265MM X 20.0MM	\$61.22	EA
601 METRIC SYM SEAL 250X275X20.0	250MM X 275MM X 20.0MM	\$66.98	EA
601 METRIC SYM SEAL 260X290X20.0	260MM X 290MM X 20.0MM	\$73.70	EA
601 METRIC SYM SEAL 265X295X20.0	265MM X 295MM X 20.0MM	\$79.27	EA
601 METRIC SYM SEAL 270X300X20.0	270MM X 300MM X 20.0MM	\$87.44	EA
601 METRIC SYM SEAL 280X310X20.0	280MM X 310MM X 20.0MM	\$93.10	EA
601 METRIC SYM SEAL 290X320X20.0	290MM X 320MM X 20.0MM	\$95.86	EA
601 METRIC SYM SEAL 300X330X20.0	300MM X 330MM X 20.0MM	\$98.37	EA
601 METRIC SYM SEAL 375X405X24.0	375MM X 405MM X 24.0MM	\$123.64	EA
601 METRIC SYM SEAL 400X425X27.0	400MM X 425MM X 27.0MM	\$90.60	EA

Rod Seals

TECHNICAL DETAILS		METRIC		INCH	
OPERATING CONDITIONS					
MAXIMUM SPEED	1.0 m/sec			3.0 ft/sec	
TEMPERATURE RANGE	-45°C + 110°C			-50°F + 230°F	
MAXIMUM PRESSURE	400 bar			6000 p.s.i.	
MAXIMUM EXTRUSION GAP					
PRESSURE bar	160	250	400		
MAXIMUM GAP mm	0.6	0.5	0.4		
PRESSURE p.s.i.	2400	3750	6000		
MAXIMUM GAP in	0.024	0.020	0.016		
SURFACE ROUGHNESS					
DYNAMIC SEALING FACE $\varnothing d_1$	μmRa	μmRt	μinCLA	μinRMS	
STATIC SEALING FACE $\varnothing D_1$	0.1 ↔ 0.4	4 max	4 ↔ 16	5 ↔ 18	
STATIC HOUSING FACES L_1	1.6 max	10 max	63 max	70 max	
	3.2 max	16 max	125 max	140 max	
CHAMFERS & RADII					
GROOVE SECTION $\leq S$ mm	4.0	5.0	7.5	10.0	12.5
MIN CHAMFER C mm	3.0	3.5	5.0	6.5	7.0
MAX FILLET RAD r_1 mm	0.2	0.4	0.8	0.8	1.2
MAX FILLET RAD r_2 mm	0.4	0.8	1.2	1.2	1.6
GROOVE SECTION $\leq S$ in	0.125	0.187	0.250	0.312	0.375
MIN CHAMFER C in	0.093	0.093	0.125	0.156	0.187
MAX FILLET RAD r_1 in	0.008	0.008	0.016	0.032	0.032
MAX FILLET RAD r_2 in	0.016	0.016	0.032	0.047	0.047
TOLERANCES					
$\varnothing d_1$	$\varnothing D_1$	L_1 mm		L_1 in	
f9	Js11	+0.25 -0		+0.010 -0	



605



NB: Part numbers commencing 46 or suffixed by “†” are designed to suit popular Asian housings.

Part numbers suffixed by “‡” indicate housing sizes to meet ISO5597.

DESIGN

The Hallite 605 is an asymmetric seal offering superlative dry rod sealing for light and medium duty applications.

The 605 has become an industry standard seal worldwide owing to its twin lip profile and consistent performance.

Manufactured in Hythane® - 181, the Hallite 605 is an extremely flexible seal making installation very easy.

The ranges cover most standard housings used in Europe, North America and Asia.

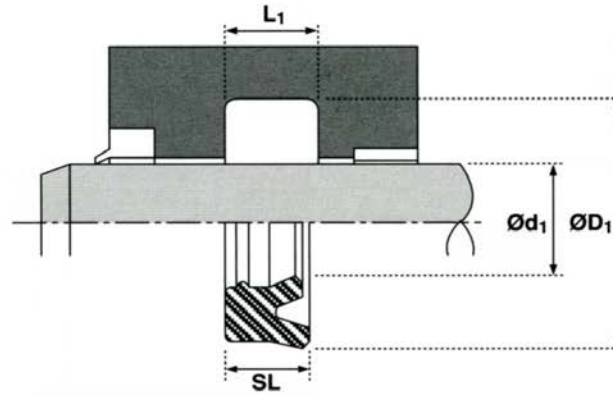
FEATURES

- TWIN LIP DESIGN OFFERING:
 - LOWER FRICTION,
 - IMPROVED SEALING,
 - PRIMARY LIP PROTECTION,
 - INCREASED SEAL STABILITY.
- EASY INSTALLATION

Rod seals

605

metric



TYPE 605 METRIC ROD U CUPS

ITEM DESCRIPTION	ID X OD X HT DIMENSIONS	SALES PRICE	UOM
605 METRIC ROD U CUP 6.0X16X8.0	6.0MM X 16MM X 8.0MM	\$7.61	EA
605 METRIC ROD U CUP 8.0X18X8.0	8.0MM X 18MM X 8.0MM	\$5.66	EA
605 METRIC ROD U CUP 10X15X4.0	10MM X 15MM X 4.0MM	\$5.01	EA
605 METRIC ROD U CUP 12X18X6.3	12MM X 18MM X 6.3MM	\$5.20	EA
605 METRIC ROD U CUP 12X19X5.0	12MM X 19MM X 5.0MM	\$5.01	EA
605 METRIC ROD U CUP 12X19X5.6	12MM X 19MM X 5.6MM	\$5.01	EA
605 METRIC ROD U CUP 12X20X6.3	12MM X 20MM X 6.3MM	\$5.24	EA
605 METRIC ROD U CUP 12X22X9.0	12MM X 22MM X 9.0MM	\$5.24	EA
605 METRIC ROD U CUP 12.7X18X6.0	12.7MM X 18MM X 6.0MM	\$5.24	EA
605 METRIC ROD U CUP 13X20X5.0	13MM X 20MM X 5.0MM	\$5.01	EA
605 METRIC ROD U CUP 14X21X5.6	14MM X 21MM X 5.6MM	\$2.78	EA
605 METRIC ROD U CUP 14X22X6.3	14MM X 22MM X 6.3MM	\$5.24	EA
605 METRIC ROD U CUP 14X24X8.0	14MM X 24MM X 8.0MM	\$5.24	EA
605 METRIC ROD U CUP 15X22X6.3	15MM X 22MM X 6.3MM	\$8.72	EA
605 METRIC ROD U CUP 15.37X25.48X7.4	15.37MM X 25.48MM X 7.4MM	\$5.01	EA
605 METRIC ROD U CUP 16X22X5.0	16MM X 22MM X 5.0MM	\$5.01	EA
605 METRIC ROD U CUP 16X22X6.0	16MM X 22MM X 6.0MM	\$5.71	EA
605 METRIC ROD U CUP 16X24X4.0	16MM X 24MM X 4.0MM	\$6.33	EA
605 METRIC ROD U CUP 16X24X6.3	16MM X 24MM X 6.3MM	\$6.17	EA
605 METRIC ROD U CUP 16X26X9.0	16MM X 26MM X 9.0MM	\$5.48	EA
605 METRIC ROD U CUP 18X25X6.0	18MM X 25MM X 6.0MM	\$5.24	EA
605 METRIC ROD U CUP 18X26X6.3	18MM X 26MM X 6.3MM	\$5.24	EA

TYPE 605 METRIC ROD U CUPS

ITEM DESCRIPTION	ID X OD X HT DIMENSIONS	SALES PRICE	UOM
605 METRIC ROD U CUP 18X28X9.0	18MM X 28MM X 9.0MM	\$5.01	EA
605 METRIC ROD U CUP 20X25X3.5	20MM X 25MM X 3.5MM	\$5.01	EA
605 METRIC ROD U CUP 20X26X5.5	20MM X 26MM X 5.5MM	\$4.78	EA
605 METRIC ROD U CUP 20X27X6.7	20MM X 27MM X 6.7MM	\$5.80	EA
605 METRIC ROD U CUP 20X28X5.7	20MM X 28MM X 5.7MM	\$5.48	EA
605 METRIC ROD U CUP 20X30X9.0	20MM X 30MM X 9.0MM	\$5.48	EA
605 METRIC ROD U CUP 20X30X11.0	20MM X 30MM X 11.0MM	\$5.71	EA
605 METRIC ROD U CUP 22X30X6.3	22MM X 30MM X 6.3MM	\$5.24	EA
605 METRIC ROD U CUP 22X30X8.0	22MM X 30MM X 8.0MM	\$5.20	EA
605 METRIC ROD U CUP 22X32X8.0	22MM X 32MM X 8.0MM	\$5.48	EA
605 METRIC ROD U CUP 22X32X11.0	22MM X 32MM X 11.0MM	\$5.24	EA
605 METRIC ROD U CUP 22.4X30X5.7	22.4MM X 30MM X 5.7MM	\$5.24	EA
605 METRIC ROD U CUP 24X34X8.5	24MM X 34MM X 8.5MM	\$9.68	EA
605 METRIC ROD U CUP 25X31X5.35	25MM X 34MM X 5.35MM	\$10.72	EA
605 METRIC ROD U CUP 25X33X5.7	25MM X 33MM X 5.7MM	\$5.01	EA
605 METRIC ROD U CUP 25X33X6.3	25MM X 33MM X 6.3MM	\$5.24	EA
605 METRIC ROD U CUP 25X33X7.5	25MM X 33MM X 7.5MM	\$5.48	EA
605 METRIC ROD U CUP 25X33X11.0	25MM X 33MM X 11.0MM	\$5.48	EA
605 METRIC ROD U CUP 25X35X5.0	25MM X 35MM X 5.0MM	\$12.81	EA
605 METRIC ROD U CUP 25X35X8.0	25MM X 35MM X 8.0MM	\$5.71	EA
605 METRIC ROD U CUP 25X35X11.0	25MM X 35MM X 11.0MM	\$5.71	EA
605 METRIC ROD U CUP 25X37X11.0	25MM X 37MM X 11.0MM	\$6.64	EA
605 METRIC ROD U CUP 25X40X11.0	25MM X 40MM X 11.0MM	\$6.64	EA
605 METRIC ROD U CUP 26X36X8.0	26MM X 36MM X 8.0MM	\$5.71	EA
605 METRIC ROD U CUP 26X36X11.0	26MM X 36MM X 11MM	\$11.16	EA
605 METRIC ROD U CUP 28X35.5X5.7	28MM X 35.5MM X 5.7MM	\$4.73	EA
605 METRIC ROD U CUP 28X38X8.0	28MM X 38MM X 8.0MM	\$5.71	EA
605 METRIC ROD U CUP 28X43X12.5	28MM X 43MM X 12.5MM	\$5.71	EA
605 METRIC ROD U CUP 30X38X6.3	30MM X 38MM X 6.3MM	\$10.80	EA
605 METRIC ROD U CUP 30X38X7.0	30MM X 38MM X 7.0MM	\$5.71	EA
605 METRIC ROD U CUP 30X38X9.0	30MM X 38MM X 9.0MM	\$10.56	EA
605 METRIC ROD U CUP 30X40X7.0	30MM X 40MM X 7.0MM	\$5.71	EA

Precision Seals, Inc.
820 Honeysuckle Drive
Fultondale, AL 35068

SALES OFFICE HOURS
7 A.M. TO 5 P.M. CST
www.precisionseals.com

PHONE 205-631-7006
FAX 205-631-7032
TOLL FREE 800-233-8585

TYPE 605 METRIC ROD U CUPS

ITEM DESCRIPTION	ID X OD X HT DIMENSIONS	SALES PRICE	UOM
605 METRIC ROD U CUP 30X40X7.7	30MM X 40MM X 7.7MM	\$5.89	EA
605 METRIC ROD U CUP 30X40X11.0	30MM X 40MM X 11.0MM	\$5.71	EA
605 METRIC ROD U CUP 30X42X12.0	30MM X 42MM X 12.0MM	\$7.05	EA
605 METRIC ROD U CUP 30X43X10.0	30MM X 43MM X 10.0MM	\$15.51	EA
605 METRIC ROD U CUP 30X45X11.0	30MM X 45MM X 11MM	\$11.08	EA
605 METRIC ROD U CUP 30X50X11.0	30MM X 50MM X 11.0MM	\$7.33	EA
605 METRIC ROD U CUP 32X40X7.0	32MM X 40MM X 7.0MM	\$5.48	EA
605 METRIC ROD U CUP 32X42X6.3	32MM X 42MM X 6.3MM	\$5.48	EA
605 METRIC ROD U CUP 32X42X8.0	32MM X 42MM X 8.0MM	\$6.40	EA
605 METRIC ROD U CUP 32X42X11.0	32MM X 42MM X 11.0MM	\$6.17	EA
605 METRIC ROD U CUP 32X45X11.0	32MM X 45MM X 11.0MM	\$7.15	EA
605 METRIC ROD U CUP 32X47X10.0	32MM X 47MM X 10.0MM	\$6.64	EA
605 METRIC ROD U CUP 32X47X11.0	32MM X 47MM X 11.0MM	\$6.64	EA
605 METRIC ROD U CUP 32X48X11.0	32MM X 48MM X 11.0MM	\$6.68	EA
605 METRIC ROD U CUP 35X43X7.0	35MM X 43MM X 7.0MM	\$6.03	EA
605 METRIC ROD U CUP 35X43X9.0	35MM X 43MM X 9.0MM	\$5.71	EA
605 METRIC ROD U CUP 35X45X7.0	35MM X 45MM X 7.0MM	\$6.17	EA
605 METRIC ROD U CUP 35X45X9.0	35MM X 45MM X 9.0MM	\$6.17	EA
605 METRIC ROD U CUP 35X45X11.0	35MM X 45MM X 11.0MM	\$5.71	EA
605 METRIC ROD U CUP 35X50X10.0	35MM X 50MM X 10.0MM	\$6.87	EA
605 METRIC ROD U CUP 35X50X11.0	35MM X 50MM X 11.0MM	\$6.87	EA
605 METRIC ROD U CUP 36X44X7.5	36MM X 44MM X 7.5MM	\$5.48	EA
605 METRIC ROD U CUP 36X44X9.0	36MM X 44MM X 9.0MM	\$5.71	EA
605 METRIC ROD U CUP 36X46X8.0	36MM X 46MM X 8.0MM	\$5.71	EA
605 METRIC ROD U CUP 36X46X11.0	36MM X 46MM X 11.0MM	\$6.40	EA
605 METRIC ROD U CUP 38X48X11.0	38MM X 48MM X 11.0MM	\$6.73	EA
605 METRIC ROD U CUP 38X50X11.0	38MM X 50MM X 11.0MM	\$9.70	EA
605 METRIC ROD U CUP 38X53X11.0	38MM X 53MM X 11.0MM	\$6.96	EA
605 METRIC ROD U CUP 40X48X6.3	40MM X 48MM X 6.3MM	\$5.89	EA
605 METRIC ROD U CUP 40X48X9.0	40MM X 48MM X 9.0MM	\$6.40	EA
605 METRIC ROD U CUP 40X50X7.0	40MM X 50MM X 7.0MM	\$6.40	EA
605 METRIC ROD U CUP 40X50X8.0	40MM X 50MM X 8.0MM	\$6.40	EA

TYPE 605 METRIC ROD U CUPS

ITEM DESCRIPTION	ID X OD X HT DIMENSIONS	SALES PRICE	UOM
605 METRIC ROD U CUP 40X50X11.0	40MM X 50MM X 11.0MM	\$6.40	EA
605 METRIC ROD U CUP 40X52X12.0	40MM X 52MM X 12.0MM	\$7.75	EA
605 METRIC ROD U CUP 40X55X8.0	40MM X 55MM X 8.0MM	\$5.89	EA
605 METRIC ROD U CUP 40X55X10.0	40MM X 55MM X 10.0MM	\$7.75	EA
605 METRIC ROD U CUP 40X55X11.0	40MM X 55MM X 11.0MM	\$7.75	EA
605 METRIC ROD U CUP 42X50X6.3	42MM X 50MM X 6.3MM	\$7.24	EA
605 METRIC ROD U CUP 42X50X8.0	42MM X 50MM X 8.0MM	\$5.71	EA
605 METRIC ROD U CUP 42X52X7.0	42MM X 52MM X 7.0MM	\$8.82	EA
605 METRIC ROD U CUP 42X52X11.0	42MM X 52MM X 11.0MM	\$6.40	EA
604 METRIC ROD U CUP 45X53X5.8	45MM X 53MM X 5.8MM	\$7.69	EA
605 METRIC ROD U CUP 45X53X9.0	45MM X 53MM X 9.0MM	\$6.40	EA
605 METRIC ROD U CUP 45X53X13.0	45MM X 53MM X 13.0MM	\$6.40	EA
605 METRIC ROD U CUP 45X55X8.0	45MM X 55MM X 8.0MM	\$6.40	EA
605 METRIC ROD U CUP 45X55X11.0	45MM X 55MM X 11.0MM	\$6.40	EA
605 METRIC ROD U CUP 45X57.7X10.5	45MM X 57.7MM X 10.5MM	\$6.87	EA
605 METRIC ROD U CUP 45X60X11.0	45MM X 60MM X 11.0MM	\$7.05	EA
605 METRIC ROD U CUP 45X65X11.0	45MM X 65MM X 11.0MM	\$8.68	EA
605 METRIC ROD U CUP 48X60X11.0	48MM X 60MM X 11.0MM	\$7.24	EA
605 METRIC ROD U CUP 50X57X10.0	50MM X 57MM X 10.0MM	\$6.40	EA
605 METRIC ROD U CUP 50X58X9.0	50MM X 58MM X 9.0MM	\$11.08	EA
605 METRIC ROD U CUP 50X60X7.0	50MM X 60MM X 7.0MM	\$6.64	EA
605 METRIC ROD U CUP 50X60X8.0	50MM X 60MM X 8.0MM	\$6.64	EA
605 METRIC ROD U CUP 50X60X11.0	50MM X 60MM X 11.0MM	\$7.05	EA
605 METRIC ROD U CUP 50X60X13.0	50MM X 60MM X 13.0MM	\$6.87	EA
605 METRIC ROD U CUP 50X62.7X10.5	50MM X 62.7MM X 10.5MM	\$7.61	EA
605 METRIC ROD U CUP 50X65X10.0	50MM X 65MM X 10.0MM	\$7.61	EA
605 METRIC ROD U CUP 50X65X12.0	50MM X 65MM X 12.0MM	\$7.98	EA
605 METRIC ROD U CUP 50X65X16.0	50MM X 65MM X 16.0MM	\$10.72	EA
605 METRIC ROD U CUP 50X70X13.0	50MM X 70MM X 13.0MM	\$10.72	EA
605 METRIC ROD U CUP 53X65X10.0	53MM X 65MM X 10.0MM	\$7.33	EA
605 METRIC ROD U CUP 54X64X11.0	54MM X 64MM X 11.0MM	\$11.44	EA
605 METRIC ROD U CUP 55X65X7.0	55MM X 65MM X 7.0MM	\$6.87	EA

Precision Seals, Inc.
820 Honeysuckle Drive
Fultondale, AL 35068

SALES OFFICE HOURS
7 A.M. TO 5 P.M. CST
www.precisionseals.com

PHONE 205-631-7006
FAX 205-631-7032
TOLL FREE 800-233-8585

TYPE 605 METRIC ROD U CUPS

ITEM DESCRIPTION	ID X OD X HT DIMENSIONS	SALES PRICE	UOM
605 METRIC ROD U CUP 55X65X9.0	55MM X 65MM X 9.0MM	\$6.87	EA
605 METRIC ROD U CUP 55X65X11.0	55MM X 65MM X 11.0MM	\$6.87	EA
605 METRIC ROD U CUP 55X65X13.0	55MM X 65MM X 13.0MM	\$7.05	EA
605 METRIC ROD U CUP 55X67X11.0	55MM X 67MM X 11.0MM	\$11.68	EA
605 METRIC ROD U CUP 55X68X11.0	55MM X 68MM X 11.0MM	\$8.49	EA
605 METRIC ROD U CUP 55X70X10.0	55MM X 70MM X 10.0MM	\$8.91	EA
605 METRIC ROD U CUP 55X70X13.0	55MM X 70MM X 13.0MM	\$8.91	EA
605 METRIC ROD U CUP 55X75X13.0	55MM X 75MM X 13.0MM	\$10.76	EA
605 METRIC ROD U CUP 56X66X11.0	56MM X 66MM X 11.0MM	\$6.87	EA
605 METRIC ROD U CUP 56X71X11.0	56MM X 71MM X 11.0MM	\$8.44	EA
605 METRIC ROD U CUP 56X71X12.5	56MM X 71MM X 12.5MM	\$8.91	EA
605 METRIC ROD U CUP 60X68X12.5	60MM X 68MM X 12.5MM	\$6.50	EA
605 METRIC ROD U CUP 60X70X7.0	60MM X 70MM X 7.0MM	\$6.50	EA
605 METRIC ROD U CUP 60X70X8.0	60MM X 70MM X 8.0MM	\$7.15	EA
605 METRIC ROD U CUP 60X70X11.0	60MM X 70MM X 11.0MM	\$7.05	EA
605 METRIC ROD U CUP 60X70X13.0	60MM X 70MM X 13.0MM	\$7.98	EA
605 METRIC ROD U CUP 60X71X8.0	60MM X 71MM X 8.0MM	\$7.98	EA
605 METRIC ROD U CUP 60X72X11.0	60MM X 72MM X 11.0MM	\$7.98	EA
605 METRIC ROD U CUP 60X73X11.0	60MM X 73MM X 11.0MM	\$13.69	EA
605 METRIC ROD U CUP 60X75X10.0	60MM X 75MM X 10.0MM	\$8.91	EA
605 METRIC ROD U CUP 60X75X11.0	60MM X 75MM X 11.0MM	\$8.91	EA
605 METRIC ROD U CUP 60X75X13.0	60MM X 75MM X 13.0MM	\$12.25	EA
605 METRIC ROD U CUP 60X75X22.5	60MM X 75MM X 22.5MM	\$14.57	EA
605 METRIC ROD U CUP 60X80X12.5	60MM X 80MM X 12.5MM	\$12.25	EA
605 METRIC ROD U CUP 60X80X13.0	60MM X 80MM X 13.0MM	\$12.25	EA
605 METRIC ROD U CUP 63X73X7.0	63MM X 73MM X 7.0MM	\$8.03	EA
605 METRIC ROD U CUP 63X73X13.0	63MM X 73MM X 13.0MM	\$7.98	EA
605 METRIC ROD U CUP 63X78X11.0	63MM X 78MM X 11.0MM	\$8.91	EA
605 METRIC ROD U CUP 63X78X12.5	63MM X 78MM X 12.5MM	\$9.09	EA
605 METRIC ROD U CUP 65X75X7.0	65MM X 75MM X 7.0MM	\$7.10	EA
605 METRIC ROD U CUP 65X75X9.0	65MM X 75MM X 9.0MM	\$7.10	EA
605 METRIC ROD U CUP 65X75X13.0	65MM X 75MM X 13.0MM	\$7.75	EA

TYPE 605 METRIC ROD U CUPS

ITEM DESCRIPTION	ID X OD X HT DIMENSIONS	SALES PRICE	UOM
605 METRIC ROD U CUP 65X77X10.5	65MM X 77MM X 10.5MM	\$8.21	EA
605 METRIC ROD U CUP 65X78X11.0	65MM X 78MM X 11.0MM	\$10.86	EA
605 METRIC ROD U CUP 65X80X10.0	65MM X 80MM X 10.0MM	\$13.50	EA
605 METRIC ROD U CUP 65X80X13.0	65MM X 80MM X 13.0MM	\$13.50	EA
605 METRIC ROD U CUP 65X85X13.0	65MM X 85MM X 13.0MM	\$15.27	EA
605 METRIC ROD U CUP 67X77X7.0	67MM X 77MM X 7.0MM	\$8.21	EA
605 METRIC ROD U CUP 70X80X7.0	70MM X 80MM X 7.0MM	\$8.68	EA
605 METRIC ROD U CUP 70X80X13.0	70MM X 80MM X 13.0MM	\$8.68	EA
605 METRIC ROD U CUP 70X82X9.6	70MM X 82MM X 9.6MM	\$8.68	EA
605 METRIC ROD U CUP 70X82X11.0	70MM X 82MM X 11.0MM	\$8.68	EA
605 METRIC ROD U CUP 70X83X11.0	70MM X 83MM X 11.0MM	\$8.68	EA
605 METRIC ROD U CUP 70X85X10.0	70MM X 85MM X 10.0MM	\$9.14	EA
605 METRIC ROD U CUP 70X85X11.0	70MM X 85MM X 11.0MM	\$9.14	EA
605 METRIC ROD U CUP 70X85X12.5	70MM X 85MM X 12.5MM	\$9.84	EA
605 METRIC ROD U CUP 70X85X22.5	70MM X 85MM X 22.5MM	\$9.84	EA
605 METRIC ROD U CUP 70X90X13.0	70MM X 90MM X 13.0MM	\$12.44	EA
605 METRIC ROD U CUP 75X83X12.5	75MM X 83MM X 12.5MM	\$14.76	EA
605 METRIC ROD U CUP 75X85X7.0	75MM X 85MM X 7.0MM	\$8.91	EA
605 METRIC ROD U CUP 75X85X13.0	75MM X 85MM X 13.0MM	\$8.91	EA
605 METRIC ROD U CUP 75X88X11.0	75MM X 88MM X 11.0MM	\$9.65	EA
605 METRIC ROD U CUP 75X90X10.0	75MM X 90MM X 10.0MM	\$9.65	EA
605 METRIC ROD U CUP 75X95X13.0	75MM X 95MM X 13.0MM	\$12.76	EA
605 METRIC ROD U CUP 78X86X10.0	78MM X 86MM X 10.0MM	\$10.58	EA
605 METRIC ROD U CUP 80X90X7.0	80MM X 90MM X 7.0MM	\$10.07	EA
605 METRIC ROD U CUP 80X90X11.0	80MM X 90MM X 11.0MM	\$10.07	EA
605 METRIC ROD U CUP 80X90X13.0	80MM X 90MM X 13.0MM	\$10.12	EA
605 METRIC ROD U CUP 80X92X9.6	80MM X 92MM X 9.6MM	\$10.21	EA
605 METRIC ROD U CUP 80X93X11.0	80MM X 93MM X 11.0MM	\$11.41	EA
605 METRIC ROD U CUP 80X95X10.0	80MM X 95MM X 10.0MM	\$11.04	EA
605 METRIC ROD U CUP 80X95X11.0	80MM X 95MM X 11.0MM	\$10.25	EA
605 METRIC ROD U CUP 80X95X13.0	80MM X 95MM X 13.0MM	\$11.41	EA
605 METRIC ROD U CUP 80X100X16.0	80MM X 100MM X 16.0MM	\$16.84	EA

Precision Seals, Inc.
820 Honeysuckle Drive
Fultondale, AL 35068

SALES OFFICE HOURS
7 A.M. TO 5 P.M. CST
www.precisionseals.com

PHONE 205-631-7006
FAX 205-631-7032
TOLL FREE 800-233-8585

TYPE 605 METRIC ROD U CUPS

ITEM DESCRIPTION	ID X OD X HT DIMENSIONS	SALES PRICE	UOM
605 METRIC ROD U CUP 80X110X18.0	80MM X 110MM X 18.0MM	\$25.06	EA
605 METRIC ROD U CUP 85X93X11.0	85MM X 93MM X 11.0MM	\$8.21	EA
605 METRIC ROD U CUP 85X93X12.5	85MM X 93MM X 12.5MM	\$8.21	EA
605 METRIC ROD U CUP 85X95X14.3	85MM X 95MM X 14.3MM	\$15.03	EA
605 METRIC ROD U CUP 85X97X9.6	85MM X 97MM X 9.6MM	\$13.56	EA
605 METRIC ROD U CUP 85X100X10.0	85MM X 100MM X 10.0MM	\$12.85	EA
605 METRIC ROD U CUP 85X100X11.0	85MM X 100MM X 11.0MM	\$12.85	EA
605 METRIC ROD U CUP 85X100X13.0	85MM X 100MM X 13.0MM	\$12.85	EA
605 METRIC ROD U CUP 85X105X13.0	85MM X 105MM X 13.0MM	\$13.50	EA
605 METRIC ROD U CUP 90X98X12.5	90MM X 98MM X 12.5MM	\$9.79	EA
605 METRIC ROD U CUP 90X100X7.5	90MM X 100MM X 7.5MM	\$11.41	EA
605 METRIC ROD U CUP 90X100X10.0	90MM X 100MM X 10.0MM	\$11.41	EA
605 METRIC ROD U CUP 90X100X13.0	90MM X 100MM X 13.0MM	\$11.41	EA
605 METRIC ROD U CUP 90X102X9.6	90MM X 102MM X 9.6MM	\$11.55	EA
605 METRIC ROD U CUP 90X105X10.0	90MM X 105MM X 10.0MM	\$12.25	EA
605 METRIC ROD U CUP 90X105X12.5	90MM X 105MM X 12.5MM	\$12.30	EA
605 METRIC ROD U CUP 90X110X13.0	90MM X 110MM X 13.0MM	\$12.48	EA
605 METRIC ROD U CUP 95X110X10.0	95MM X 110MM X 10.0MM	\$12.53	EA
605 METRIC ROD U CUP 95X110X11.0	95MM X 110MM X 11.0MM	\$12.48	EA
605 METRIC ROD U CUP 95X115X13.0	95MM X 115MM X 13.0MM	\$12.85	EA
605 METRIC ROD U CUP 96X104X12.0	96MM X 104MM X 12.0MM	\$11.88	EA
605 METRIC ROD U CUP 100X110X12.0	100MM X 110MM X 12.0MM	\$12.16	EA
605 METRIC ROD U CUP 100X115X10.0	100MM X 115MM X 10.0MM	\$14.20	EA
605 METRIC ROD U CUP 100X115X13.0	100MM X 115MM X 13.0MM	\$14.20	EA
605 METRIC ROD U CUP 100X120X13.0	100MM X 120MM X 13.0MM	\$20.74	EA
605 METRIC ROD U CUP 100X120X16.0	100MM X 120MM X 16.0MM	\$19.95	EA
605 METRIC ROD U CUP 105X113X11.0	105MM X 113MM X 11.0MM	\$15.96	EA
605 METRIC ROD U CUP 105X115X14.5	105MM X 115MM X 14.5MM	\$15.96	EA
605 METRIC ROD U CUP 105X120X11.0	105MM X 120MM X 11.0MM	\$16.01	EA
605 METRIC ROD U CUP 105X120X16.0	105MM X 120MM X 16.0MM	\$19.95	EA
605 METRIC ROD U CUP 108X123X12.0	108MM X 123MM X 12.0MM	\$17.08	EA
605 METRIC ROD U CUP 110X125X10.0	110MM X 125MM X 10.0MM	\$17.17	EA

TYPE 605 METRIC ROD U CUPS

ITEM DESCRIPTION	ID X OD X HT DIMENSIONS	SALES PRICE	UOM
605 METRIC ROD U CUP 110X125X12.0	110MM X 125MM X 12.0MM	\$21.99	EA
605 METRIC ROD U CUP 110X125X16.0	110MM X 125MM X 16.0MM	\$26.45	EA
605 METRIC ROD U CUP 110X130X13.0	110MM X 130MM X 13.0MM	\$28.35	EA
605 METRIC ROD U CUP 110X130X16.0	110MM X 130MM X 16.0MM	\$28.35	EA
605 METRIC ROD U CUP 110X135X16.0	110MM X 135MM X 16.0MM	\$30.21	EA
605 METRIC ROD U CUP 112X125X10.0	112MM X 125MM X 10.0MM	\$16.29	EA
605 METRIC ROD U CUP 115X130X10.0	115MM X 130MM X 10.0MM	\$20.14	EA
605 METRIC ROD U CUP 115X130X12.0	115MM X 130MM X 12.0MM	\$20.14	EA
605 METRIC ROD U CUP 115X130X16.0	115MM X 130MM X 16.0MM	\$20.14	EA
605 METRIC ROD U CUP 120X128X12.5	120MM X 128MM X 12.5MM	\$19.35	EA
605 METRIC ROD U CUP 120X130X12.0	120MM X 130MM X 12.0MM	\$21.44	EA
605 METRIC ROD U CUP 120X135X10.0	120MM X 135MM X 10.0MM	\$25.89	EA
605 METRIC ROD U CUP 120X140X13.0	120MM X 140MM X 13.0MM	\$30.39	EA
605 METRIC ROD U CUP 120X140X16.0	120MM X 140MM X 16.0MM	\$30.39	EA
605 METRIC ROD U CUP 125X133X11.0	125MM X 133MM X 11.0MM	\$21.30	EA
605 METRIC ROD U CUP 125X140X 10.0	125MM X 140MM X 10.0MM	\$25.89	EA
605 METRIC ROD U CUP 125X145X13.0	125MM X 145MM X 13.0MM	\$30.86	EA
605 METRIC ROD U CUP 125X145X16.0	125MM X 145MM X 16.0MM	\$30.86	EA
605 METRIC ROD U CUP 125X150X14.0	125MM X 150MM X 14.0MM	\$30.86	EA
605 METRIC ROD U CUP 130X140X16.0	130MM X 140MM X 16.0MM	\$27.10	EA
605 METRIC ROD U CUP 130X145X10.0	130MM X 145MM X 10.0MM	\$29.74	EA
605 METRIC ROD U CUP 130X150X16.0	130MM X 150MM X 16.0MM	\$32.34	EA
605 METRIC ROD U CUP 135X150X12.5	135MM X 150MM X 12.5MM	\$29.70	EA
605 METRIC ROD U CUP 140X150X12.0	140MM X 150MM X 12.0MM	\$25.06	EA
605 METRIC ROD U CUP 140X155X10.0	140MM X 155MM X 10.0MM	\$29.70	EA
605 METRIC ROD U CUP 140X155X13.0	140MM X 155MM X 13.0MM	\$29.70	EA
605 METRIC ROD U CUP 140X160X13.0	140MM X 160MM X 13.0MM	\$34.29	EA
605 METRIC ROD U CUP 140X160X16.0	140MM X 160MM X 16.0MM	\$34.29	EA
605 METRIC ROD U CUP 150X160X12.0	150MM X 160MM X 12.0MM	\$12.99	EA
605 METRIC ROD U CUP 150X165X10.0	150MM X 165MM X 10.0MM	\$35.17	EA
605 METRIC ROD U CUP 150X170X13.0	150MM X 170MM X 13.0MM	\$36.89	EA
605 METRIC ROD U CUP 150X170X14.5	150MM X 170MM X 14.5MM	\$36.89	EA

Precision Seals, Inc.
820 Honeysuckle Drive
Fultondale, AL 35068

SALES OFFICE HOURS
7 A.M. TO 5 P.M. CST
www.precisionseals.com

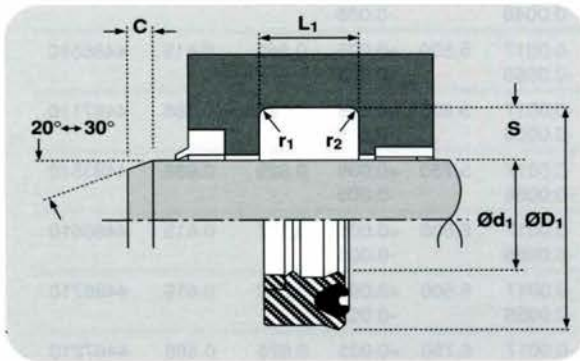
PHONE 205-631-7006
FAX 205-631-7032
TOLL FREE 800-233-8585

TYPE 605 METRIC ROD U CUPS

ITEM DESCRIPTION	ID X OD X HT DIMENSIONS	SALES PRICE	UOM
<i>605 METRIC ROD U CUP 150X170X16.0</i>	150MM X 170MM X 16.0MM	\$36.89	EA
<i>605 METRIC ROD U CUP 155X170X16.0</i>	155MM X 170MM X 16.0MM	\$36.89	EA
<i>605 METRIC ROD U CUP 160X175X10.0</i>	160MM X 175MM X 10.0MM	\$37.68	EA
<i>605 METRIC ROD U CUP 160X175X12.0</i>	160MM X 175MM X 12.0MM	\$37.68	EA
<i>605 METRIC ROD U CUP 160X180X12.0</i>	160MM X 180MM X 12.0MM	\$39.53	EA
<i>605 METRIC ROD U CUP 160X180X13.0</i>	160MM X 180MM X 13.0MM	\$39.53	EA
<i>605 METRIC ROD U CUP 165X180X10.0</i>	165MM X 180MM X 10.0MM	\$16.98	EA
<i>605 METRIC ROD U CUP 170X190X16.0</i>	170MM X 190MM X 16.0MM	\$41.76	EA

Rod seals

TECHNICAL DETAILS		METRIC	INCH
OPERATING CONDITIONS			
MAXIMUM SPEED	1.0 m/sec	3.0 ft/sec	
TEMPERATURE RANGE	-45°C + 110°C	-50°F + 230°F	
MAXIMUM PRESSURE	700 bar	10,000 p.s.i.	
MAXIMUM EXTRUSION GAP			
PRESSURE bar	160	250	400
MAXIMUM GAP mm	1.0	0.8	0.6
PRESSURE p.s.i.	2400	3750	6000
MAXIMUM GAP in	0.040	0.032	0.024
SURFACE ROUGHNESS			
DYNAMIC SEALING FACE $\varnothing d_1$	0.1 ↔ 0.4	4 max	4 ↔ 16
STATIC SEALING FACE $\varnothing d_1$	1.6 max	10 max	63 max
STATIC HOUSING FACES L_1	3.2 max	16 max	125 max
CHAMFERS & RADII			
GROOVE SECTION $\leq S$ mm	4.0	5.0	7.5
MIN CHAMFER C mm	3.0	3.5	5.0
MAX FILLET RAD r_1 mm	0.2	0.4	0.8
MAX FILLET RAD r_2 mm	0.4	0.8	1.2
GROOVE SECTION $\leq S$ in	0.125	0.187	0.250
MIN CHAMFER C in	0.093	0.093	0.125
MAX FILLET RAD r_1 in	0.008	0.008	0.016
MAX FILLET RAD r_2 in	0.016	0.016	0.032
TOLERANCES			
$\varnothing d_1$	$\varnothing D_1$	L_1 mm	L_1 in
f9	Js11	+0.25 -0	+0.010 -0



DESIGN

The Hallite 621 is a top of the range high pressure rod seal. The design of the seal incorporates a unique profiled NBR energiser to ensure complete lip actuation under all pressure conditions and to cushion the seal against shock loadings.

The shell is moulded in Hallite's high performance polyurethane Hythane 181, ensuring flexibility for installation and performance at low temperatures. The Hallite 621 also benefits from Hallite's twin lip profile for dry rod sealing.

FEATURES

- HIGH PRESSURE/SHOCK LOAD CAPABILITY
- TWIN LIP DESIGN OFFERING:
 - LOWER FRICTION
 - IMPROVED SEALING
 - PRIMARY LIP PROTECTION
 - INCREASED SEAL STABILITY
- POLYACETAL ANTI-EXTRUSION RING.

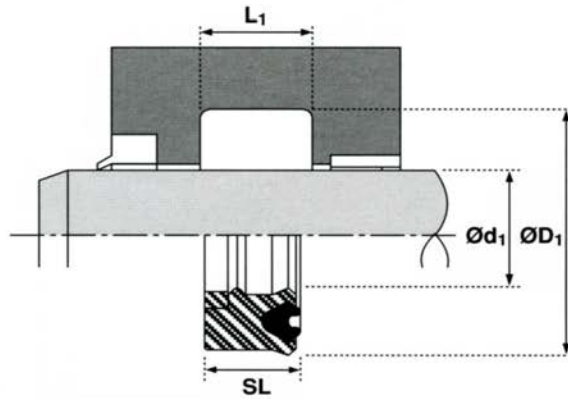
NB: Part numbers suffixed by "†" are designed to suit popular Asian housings.

Part numbers suffixed by "‡" indicate housing sizes to meet ISO5597.

Rod seals

621

metric



TYPE 621 ROD SEAL WITH EXTRUSION RING

ITEM DESCRIPTION	DIMENSIONS ID X OD X HT	SALES PRICE	UOM
621 ROD SEAL W/RING 30X40X8.0	30MM X 40MM X 8.0MM	\$22.67	EA
621 ROD SEAL W/RING 35X50X10.5	35MM X 50MM X 10.5MM	\$24.40	EA
621 ROD SEAL W/RING 36X46X8.0	36MM X 46MM X 8.0MM	\$19.33	EA
621 ROD SEAL W/RING 40X50X8.0	40MM X 50MM X 8.0MM	\$33.90	EA
621 ROD SEAL W/RING 40X50X11.0	40MM X 50MM X 11.0MM	\$33.73	EA
621 ROD SEAL W/RING 45X55X8.0	45MM X 55MM X 8.0MM	\$22.49	EA
621 ROD SEAL W/RING 45X60X12.5	45MM X 60MM X 12.5MM	\$23.09	EA
621 ROD SEAL W/RING 50X60X8.0	50MM X 60MM X 8.0MM	\$24.19	EA
621 ROD SEAL W/RING 50X65X12.5	50MM X 65MM X 12.5MM	\$34.97	EA
621 ROD SEAL W/RING 55X70X12.5	55MM X 70MM X 12.5MM	\$37.09	EA
621 ROD SEAL W/RING 56X71X12.5	56MM X 71MM X 12.5MM	\$33.36	EA
621 ROD SEAL W/RING 60X73X14.0	60MM X 73MM X 14.0MM	\$35.46	EA
621 ROD SEAL W/RING 60X75X12.5	60MM X 75MM X 12.5MM	\$36.74	EA
621 ROD SEAL W/RING 63X78X12.5	63MM X 78MM X 12.5MM	\$43.87	EA
621 ROD SEAL W/RING 63X83X13.0	63MM X 83MM X 13.0MM	\$51.78	EA
621 ROD SEAL W/RING 65X75X11.0	65MM X 75MM X 11.0MM	\$42.97	EA
621 ROD SEAL W/RING 65X80X11.0	65MM X 80MM X 11.0MM	\$43.32	EA
621 ROD SEAL W/RING 65X80X12.5	65MM X 80MM X 12.5MM	\$36.39	EA
621 ROD SEAL W/RING 70X85X12.5	70MM X 85MM X 12.5MM	\$47.68	EA
621 ROD SEAL W/RING 75X88X14.0	75MM X 88MM X 14.0MM	\$37.79	EA
621 ROD SEAL W/RING 75X90X14.0	75MM X 90MM X 14.0MM	\$40.31	EA
621 ROD SEAL W/RING 80X90X10.0	80MM X 90MM X 10.0MM	\$37.79	EA
621 ROD SEAL W/RING 80X95X12.5	80MM X 95MM X 12.5MM	\$38.26	EA
621 ROD SEAL W/RING 80X95X14.0	80MM X 95MM X 14.0MM	\$39.89	EA
621 ROD SEAL W/RING 85X100X14.0	85MM X 100MM X 14.0MM	\$40.82	EA
621 ROD SEAL W/RING 90X105X12.5	90MM X 105MM X 12.5MM	\$40.82	EA

TYPE 621 ROD SEAL WITH EXTRUSION RING

ITEM DESCRIPTION	DIMENSIONS ID X OD X HT	SALES PRICE	UOM
<i>621 ROD SEAL W/RING 90X105X14.0</i>	90MM X 105MM X 14.0MM	\$51.75	EA
<i>621 ROD SEAL W/RING 95X110X14.0</i>	95MM X 110MM X 14.0MM	\$43.09	EA

**QUALITY AND
RELIABLE SERVICE!
LOW SHIPPING
COSTS!**

TYPE 621 ROD SEAL WITH EXTRUSION RING

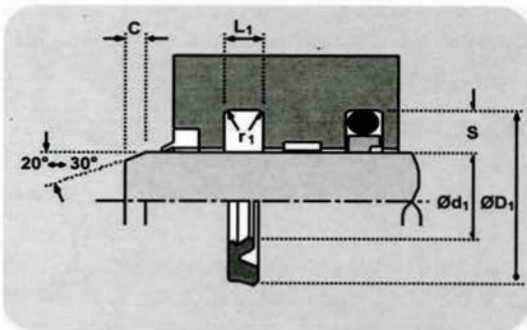
ITEM DESCRIPTION	DIMENSIONS ID X OD X HT	SALES PRICE	UOM
621 ROD SEAL W/RING 100X115X14.0	100MM X 115MM X 14.0MM	\$54.49	EA
621 ROD SEAL W/RING 100X120X16.0	100MM X 120MM X 16.0MM	\$44.44	EA
621 ROD SEAL W/RING 105X120X12.0	105MM X 120MM X 12.0MM	\$74.59	EA
621 ROD SEAL W/RING 110X125X16.25	110MM X 125MM X 16.25MM	\$70.78	EA
621 ROD SEAL W/RING 110X130X14.0	110MM X 130MM X 14.0MM	\$46.81	EA
621 ROD SEAL W/RING 110X130X16.0	110MM X 130MM X 16.0MM	\$56.01	EA
621 ROD SEAL W/RING 115X130X10.4	115MM X 130MM X 10.4MM	\$61.13	EA
621 ROD SEAL W/RING 115X130X14.0	115MM X 130MM X 14.0MM	\$67.83	EA
621 ROD SEAL W/RING 120X135X16.0	120MM X 135MM X 16.0MM	\$65.27	EA
621 ROD SEAL W/RING 120X140X14.0	120MM X 140MM X 14.0MM	\$66.72	EA
621 ROD SEAL W/RING 120X140X16.0	120MM X 140MM X 16.0MM	\$59.04	EA
621 ROD SEAL W/RING 125X145X16.0	125MM X 145MM X 16.0MM	\$49.10	EA
621 ROD SEAL W/RING 130X150X16.0	130MM X 150MM X 16.0MM	\$70.94	EA
621 ROD SEAL W/RING 135X155X15.0	135MM X 155MM X 15.0MM	\$75.47	EA
621 ROD SEAL W/RING 140X160X14.0	140MM X 160MM X 14.0MM	\$55.38	EA
621 ROD SEAL W/RING 140X160X16.0	140MM X 160MM X 16.0MM	\$94.01	EA
621 ROD SEAL W/RING 150X170X17.75	150MM X 170MM X 17.75MM	\$72.25	EA
621 ROD SEAL W/RING 160X175X12.8	160MM X 175MM X 12.8MM	\$68.32	EA
621 ROD SEAL W/RING 160X177X13.5	160MM X 177MM X 13.5MM	\$68.32	EA
621 ROD SEAL W/RING 160X180X16.0	160MM X 180MM X 16.0MM	\$92.47	EA
621 ROD SEAL W/RING 160X185X16.0	160MM X 185MM X 16.0MM	\$76.56	EA
621 ROD SEAL W/RING 170X195X22.0	170MM X 195MM X 22.0MM	\$95.79	EA
621 ROD SEAL W/RING 180X200X16.0	180MM X 200MM X 16.0MM	\$113.37	EA
621 ROD SEAL W/RING 190X210X18.0	190MM X 210MM X 18.0MM	\$90.89	EA
621 ROD SEAL W/RING 200X220X16.0	200MM X 220MM X 16.0MM	\$74.18	EA
621 ROD SEAL W/RING 210X230X18.0	210MM X 230MM X 18.0MM	\$135.33	EA
621 ROD SEAL W/RING 215X235X16.0	215MM X 235MM X 16.0MM	\$119.61	EA
621 ROD SEAL W/RING 219X240X17.0	219MM X 240MM X 17.0MM	\$114.74	EA
621 ROD SEAL W/RING 220X240X17.0	220MM X 240MM X 17.0MM	\$97.58	EA
621 ROD SEAL W/RING 225X250X20.0	225MM X 250MM X 20.0MM	\$115.40	EA
621 ROD SEAL W/RING 230X250X18.0	230MM X 250MM X 18.0MM	\$136.00	EA
621 ROD SEAL W/RING 270X290X16.7	270MM X 290MM X 16.7MM	\$138.44	EA

Rod Seals

TECHNICAL DETAILS		METRIC	INCH
OPERATING CONDITIONS			
MAXIMUM SPEED		1.0 m/sec	3.0 ft/sec
TEMPERATURE RANGE		-45°C + 110°C	-50°F + 230°F
MAXIMUM PRESSURE		240 bar	3500 p.s.i.
MAXIMUM EXTRUSION GAP			
PRESSURE bar		160	240
MAXIMUM GAP mm		0.6	0.5
PRESSURE p.s.i.		2400	3750
SURFACE ROUGHNESS			
DYNAMIC SEALING FACE $\varnothing d_1$		0.1 ↔ 0.4	4 max
STATIC SEALING FACE $\varnothing D_1$		1.6 max	10 max
STATIC HOUSING FACES L_1		3.2 max	16 max
CHAMFERS & RADI			
GROOVE SECTION $\leq S$ mm		3.75	5.50
MIN CHAMFER C mm		2.00	3.00
MAX FILLET RAD r_1 mm		0.40	0.80
TOLERANCES			
$\varnothing d_1$		$\varnothing D_1$	L_1 mm
f9		H11	+0.25 -0

Figures show the maximum permissible gap all on one side using minimum rod \varnothing and maximum clearance \varnothing .

616



DESIGN

The Hallite 616 is a revolutionary seal from Hallite. Incorporating the sealing efficiency of the Hallite 605 with the compact grooves used by PTFE rod seals.

Hallite's 616 is an asymmetric twin lip seal, designed for light and medium duty applications where space and friction are at a premium.

Manufactured in Hallite's high performance polyurethane Hythane 181, the Hallite 616 is an extremely flexible seal making installation very easy.

FEATURES:

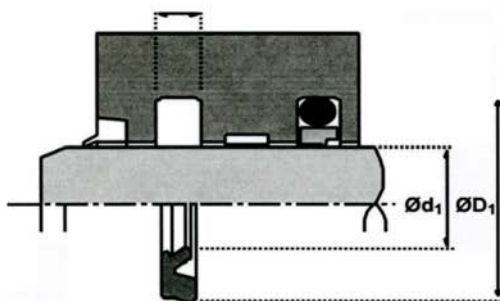
- EASY ASSEMBLY
- TWIN LIP PERFORMANCE
- ISO 7425 HOUSINGS

NB: Part numbers suffixed by "±" indicate housing sizes to meet ISO7425-2.

Rod seals

616

metric



TYPE 616 METRIC ROD SEAL

ITEM DESCRIPTION	DIMENSIONS ID X OD X HT	SALES PRICE	UOM
616 METRIC ROD SEAL 18X25.5X3.2	18MM X 25.5MM X 3.2MM	\$5.77	EA
616 METRIC ROD SEAL 20X27.5X3.2	20MM X 27.5MM X 3.2MM	\$6.32	EA
616 METRIC ROD SEAL 20X31X4.2	20MM X 31.0MM X 4.2MM	\$6.42	EA
616 METRIC ROD SEAL 22X33X4.2	22MM X 33.0MM X 4.2MM	\$6.37	EA
616 METRIC ROD SEAL 25X32.5X3.2	25MM X 32.5MM X 3.2MM	\$6.02	EA
616 METRIC ROD SEAL 25X36X4.2	25MM X 36.0MM X 4.2MM	\$6.48	EA
616 METRIC ROD SEAL 25.4X32.9X3.2	25.4MM X 32.9MM X 3.2MM	\$6.22	EA
616 METRIC ROD SEAL 28X39X4.2	28MM X 39.0MM X 4.2MM	\$6.32	EA
616 METRIC ROD SEAL 30X41X4.2	30MM X 41.0MM X 4.2MM	\$6.32	EA
616 METRIC ROD SEAL 32X43X4.2	32MM X 43.0MM X 4.2MM	\$6.83	EA
616 METRIC ROD SEAL 36X47X4.2	36MM X 47.0MM X 4.2MM	\$7.08	EA
616 METRIC ROD SEAL 40X51X4.2	40MM X 51.0MM X 4.2MM	\$6.72	EA
616 METRIC ROD SEAL 40X55.5X6.3	40MM X 55.5MM X 6.3MM	\$8.59	EA
616 METRIC ROD SEAL 45X56X4.2	45MM X 56.0MM X 4.2MM	\$7.60	EA
616 METRIC ROD SEAL 45X59X4.2	45MM X 59.0MM X 4.2MM	\$6.51	EA
616 METRIC ROD SEAL 45X60.5X6.3	45MM X 60.5MM X 6.3MM	\$7.83	EA
616 METRIC ROD SEAL 50X61X4.2	50MM X 61.0MM X 4.2MM	\$10.22	EA
616 METRIC ROD SEAL 50X65.5X6.3	50MM X 65.5MM X 6.3MM	\$8.84	EA
616 METRIC ROD SEAL 56X71.5X6.3	56MM X 71.5MM X 6.3MM	\$9.35	EA

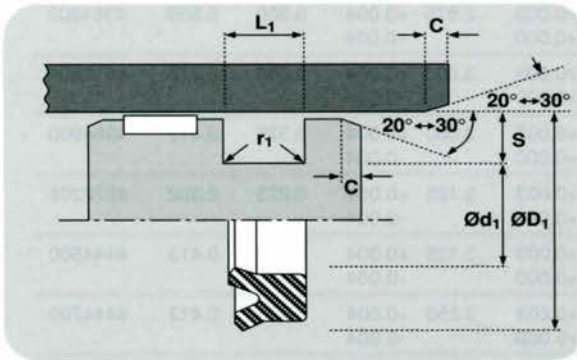
TYPE 616 METRIC ROD SEAL			
ITEM DESCRIPTION	DIMENSIONS ID X OD X HT	SALES PRICE	UOM
616 METRIC ROD SEAL 60X70.6X4.2	60MM X 70.6MM X 4.2MM	\$8.84	EA
616 METRIC ROD SEAL 60X75.5X6.3	60MM X 75.5MM X 6.3MM	\$12.15	EA
616 METRIC ROD SEAL 63X78.5X6.3	63MM X 78.5MM X 6.3MM	\$9.86	EA
616 METRIC ROD SEAL 65X80.5X6.3	65MM X 80.5MM X 6.3MM	\$12.01	EA
616 METRIC ROD SEAL 70X85.5X6.3	70MM X 85.5MM X 6.3MM	\$12.02	EA
616 METRIC ROD SEAL 75X90.5X6.3	75MM X 90.5MM X 6.3MM	\$13.60	EA
616 METRIC ROD SEAL 80X95.5X6.3	80MM X 95.5MM X 6.3MM	\$12.63	EA
616 METRIC ROD SEAL 85X100.5X6.3	85MM X 100.5MM X 6.3MM	\$14.23	EA
616 METRIC ROD SEAL 90X105.5X6.3	90MM X 105.5MM X 6.3MM	\$13.60	EA
616 METRIC ROD SEAL 95X110.5X6.3	95MM X 110.5MM X 6.3MM	\$13.88	EA
616 METRIC ROD SEAL 100X115.5X6.3	100MM X 115.5MM X 6.3MM	\$15.79	EA
616 METRIC ROD SEAL 110X125.5X6.3	110MM X 125.5MM X 6.3MM	\$19.01	EA
616 METRIC ROD SEAL 125X140.5X6.3	125MM X 140.5MM X 6.3MM	\$23.70	EA
616 METRIC ROD SEAL 140X155.5X6.3	140MM X 155.5MM X 6.3MM	\$28.29	EA
616 METRIC ROD SEAL 160X175.5X6.3	160MM X 175.5MM X 6.3MM	\$38.49	EA

***Need help finding an item?
Give us a call.
We will be happy to help!***

Piston seals

TECHNICAL DETAILS		METRIC	INCH			
OPERATING CONDITIONS						
MAXIMUM SPEED		1.0 m/sec	3.0 ft/sec			
TEMPERATURE RANGE		-45°C + 110°C	-50°F + 230°F			
MAXIMUM PRESSURE		400 bar*	6,000 p.s.i.*			
MAXIMUM EXTRUSION GAP						
PRESSURE bar		160	250	400		
MAXIMUM GAP mm		0.6	0.5	0.4		
PRESSURE p.s.i.		2400	3750	6000		
MAXIMUM GAP in		0.024	0.020	0.016		
SURFACE ROUGHNESS						
DYNAMIC SEALING FACE $\varnothing D_1$		μmRa	μmRt	μinCLA	μinRMS	
STATIC SEALING FACE $\varnothing d_1$		0.1 ↔ 0.4	4 max	4 ↔ 16	5 ↔ 18	
STATIC HOUSING FACES L_1		1.6 max	10 max	63 max	70 max	
		3.2 max	16 max	125 max	140 max	
CHAMFERS & RADII						
GROOVE SECTION $\leq S$ mm		4.0	5.0	7.5	10.0	
MIN CHAMFER C mm		3.0	3.5	5.0	6.5	
MAX FILLET RAD r_1 mm		0.2	0.4	0.8	0.8	
GROOVE SECTION $\leq S$ in		0.125	0.187	0.250	0.312	0.375
MIN CHAMFER C in		0.093	0.093	0.125	0.156	0.187
MAX FILLET RAD r_1 in		0.008	0.008	0.016	0.032	0.032
TOLERANCES						
$\varnothing D_1$	$\varnothing d_1$	L_1 mm	L_1 in			
H9	js11	+0.25 -0	+0.010 -0			

* Pressure rating of seal can be extended to 700 bar /10,000p.s.i. with the use of a back up ring. If this option is required seek advice from your local Hallite Seals sales office.



DESIGN

The Hallite 606 is an asymmetric piston seal designed to offer effective bore sealing in a wide variety of applications.

The outer *dynamic* lip is shorter and more robust to provide improved sealing and compression set characteristics over conventional U rings.

The seal can be used by itself as a single acting seal or fitted back to back in separate grooves for double acting applications.

Manufactured in Hallite's high performance polyurethane Hythane 181, The Hallite 606 provides the following benefits:

FEATURES

- FLEXIBLE FOR EASY INSTALLATION
- EXCELLENT WEAR RESISTANCE
- HIGH RESISTANCE TO EXTRUSION
- ROBUST DESIGN
- WIDE TEMPERATURE RANGE

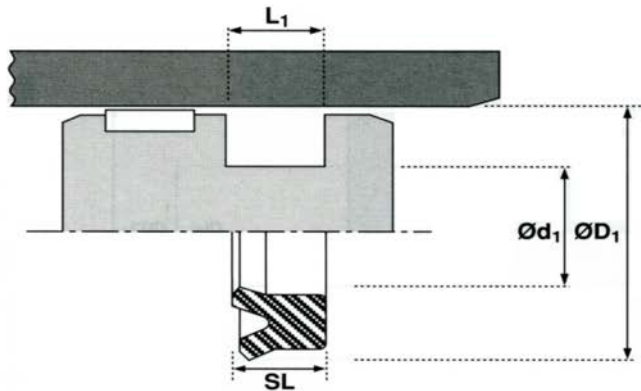
NB: Part numbers suffixed by "‡" indicate housing sizes to meet ISO5597.



Piston seals

606

metric



TYPE 606 PISTON U CUP

ITEM DESCRIPTION	ID X OD X HT DIMENSIONS	SALES PRICE	UOM
606 PISTON U CUP 8.0X14.0X5.5	8.0MM X 14.0MM X 5.5MM	\$5.41	EA
606 PISTON U CUP 13.7X17.7X2.8	13.7MM X 17.7MM X 2.8MM	\$6.56	EA
606 PISTON U CUP 15X25X9.0	15.0MM X 25.0MM X 9.0MM	\$5.41	EA
606 PISTON U CUP 17X25X6.3	17.0MM X 25.0MM X 6.3MM	\$5.67	EA
606 PISTON U CUP 20X30X9.0	20.0MM X 30.0MM X 9.0MM	\$5.92	EA
606 PISTON U CUP 21X37X13.0	21.0MM X 37.0MM X 13.0MM	\$6.61	EA
606 PISTON U CUP 24X32X6.3	24.0MM X 32.0MM X 6.3MM	\$5.67	EA
606 PISTON U CUP 25X35X8.0	25.0MM X 35.0MM X 8.0MM	\$6.14	EA
606 PISTON U CUP 30X40X8.0	30.0MM X 40.0MM X 8.0MM	\$6.14	EA
606 PISTON U CUP 30X40X11.0	30.0MM X 40.0MM X 11.0MM	\$6.14	EA
606 PISTON U CUP 31X38X6.0	31.0MM X 38.0MM X 6.0MM	\$7.50	EA
606 PISTON U CUP 35X42X5.0	35.0MM X 42.0MM X 5.0MM	\$6.14	EA
606 PISTON U CUP 35X45X8.0	35.0MM X 45.0MM X 8.0MM	\$6.66	EA
606 PISTON U CUP 37X42X3.8	37.0MM X 42.0MM X 3.8MM	\$6.74	EA
606 PISTON U CUP 40X50X8.0	40.0MM X 50.0MM X 8.0MM	\$6.88	EA
606 PISTON U CUP 45X55X8.0	45.0MM X 55.0MM X 8.0MM	\$6.88	EA
606 PISTON U CUP 45X60X11.0	45.0MM X 60.0MM X 11.0MM	\$7.62	EA
606 PISTON U CUP 48X63X12.5	48.0MM X 63.0MM X 12.5MM	\$7.62	EA
606 PISTON U CUP 53X63X8.0	53.0MM X 63.0MM X 8.0MM	\$7.38	EA
606 PISTON U CUP 53X63X13.0	53.0MM X 63.0MM X 13.0MM	\$7.38	EA

TYPE 606 PISTON U CUP			
ITEM DESCRIPTION	ID X OD X HT DIMENSIONS	SALES PRICE	UOM
606 PISTON U CUP 55X65X8.0	55.0MM X 65.0MM X 8.0MM	\$12.94	EA
606 PISTON U CUP 55X70X11.0	55.0MM X 70.0MM X 11.0MM	\$9.61	EA
606 PISTON U CUP 60X70X9.0	60.0MM X 70.0MM X 9.0MM	\$13.46	EA
606 PISTON U CUP 60X80X11.0	60.0MM X 80.0MM X 11.0MM	\$18.85	EA
606 PISTON U CUP 61X71X7.0	61.0MM X 71.0MM X 7.0MM	\$7.02	EA
606 PISTON U CUP 65X80X12.5	65.0MM X 80.0MM X 12.5MM	\$14.53	EA
606 PISTON U CUP 67X75X9.7	67.0MM X 75.0MM X 9.7MM	\$7.02	EA
606 PISTON U CUP 70X80X7.5	70.0MM X 80.0MM X 7.5MM	\$9.36	EA
606 PISTON U CUP 70X80X9.0	70.0MM X 80.0MM X 9.0MM	\$13.83	EA
606 PISTON U CUP 70.7X85.7X11.4	70.7MM X 85.7MM X 11.4MM	\$10.58	EA
606 PISTON U CUP 75X85X9.0	75.0MM X 85.0MM X 9.0MM	\$14.19	EA
606 PISTON U CUP 85X100X12.5	85.0MM X 100.0MM X 12.5MM	\$13.85	EA
606 PISTON U CUP 85X105X13.0	85.0MM X 105.0MM X 13.0MM	\$19.10	EA
606 PISTON U CUP 90X100X7.5	90.0MM X 100.0MM X 7.5MM	\$12.31	EA
606 PISTON U CUP 97X105X9.0	97.0MM X 105.0MM X 9.0MM	\$10.13	EA
606 PISTON U CUP 100X110X9.0	100.0MM X 110.0MM X 9.0MM	\$26.43	EA
606 PISTON U CUP 105X125X16.0	105.0MM X 125.0MM X 16.0MM	\$29.27	EA
606 PISTON U CUP 130X150X16.0	130.0MM X 150.0MM X 16.0MM	\$34.96	EA
606 PISTON U CUP 140X150X15.0	140.0MM X 150.0MM X 15.0MM	\$27.07	EA
606 PISTON U CUP 140X160X20.0	140.0MM X 160.0MM X 20.0MM	\$37.08	EA
606 PISTON U CUP 180X200X16.0	180.0MM X 200.0MM X 16.0MM	\$46.30	EA

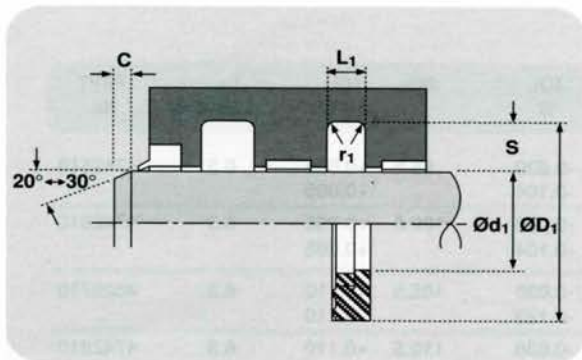
LOW SHIPPING COST!

AND

QUICK, DEPENDABLE SERVICE!

Rod buffer seals

TECHNICAL DETAILS		METRIC	INCH
OPERATING CONDITIONS			
MAXIMUM SPEED	1.0 m/sec	3.0 ft/sec	
TEMPERATURE RANGE	-45°C + 110°C	-50°F + 230°F	
MAXIMUM PRESSURE	700 bar	10,000 p.s.i.	
MAXIMUM EXTRUSION GAP			
PRESSURE bar	160	250	400 500 700
MAXIMUM GAP (S ≤ 6) mm	0.6	0.5	0.4 0.3 0.2
MAXIMUM GAP (S > 6) mm	1.0	0.8	0.6 0.4 0.25
PRESSURE p.s.i.	2400	3750	6000 7500 10,000
MAXIMUM GAP (S ≤ 0.250) in	0.024	0.020	0.016 0.012 0.008
MAXIMUM GAP (S > 0.250) in	0.040	0.032	0.024 0.016 0.010
SURFACE ROUGHNESS			
DYNAMIC SEALING FACE Ød ₁	0.1 ↔ 0.4	4 max	4 ↔ 16 5 ↔ 18
STATIC SEALING FACE ØD ₁	1.6 max	10 max	63 max 70 max
STATIC HOUSING FACES L ₁	3.2 max	16 max	125 max 140 max
CHAMFERS & RADII			
GROOVE SECTION ≤ S mm	3.75	5.50	7.75
MIN CHAMFER C mm	3.00	3.50	5.00
MAX FILLET RAD r ₁ mm	0.4	0.8	1.2
GROOVE SECTION ≤ S in	0.150	0.215	0.306
MIN CHAMFER C in	0.093	0.125	0.156
MAX FILLET RAD r ₁ in	0.020	0.028	0.047
TOLERANCES			
	mm		
	in		
Ød ₁	f9	ØD ₁	H11
		L ₁	+0.25 -0
			f9 Js11 +0.010 -0



DESIGN

The Hallite 653 is a buffer seal developed to work in conjunction with high performance rod seals, such as the Hallite 605 and 621. It is also interchangeable with common PTFE buffer seal housings.

The seal, which is manufactured in Hythane 181, is designed to provide a valve action to prevent excessive pressure build up in the cavity between the buffer seal and the rod seal. An acetal anti-extrusion ring is fitted to provide maximum extrusion resistance against shock pressure loads.

The Hallite 653 is a patented product :
 European patent no. 0427554B1.
 U.S.A. patent no. 5088747.

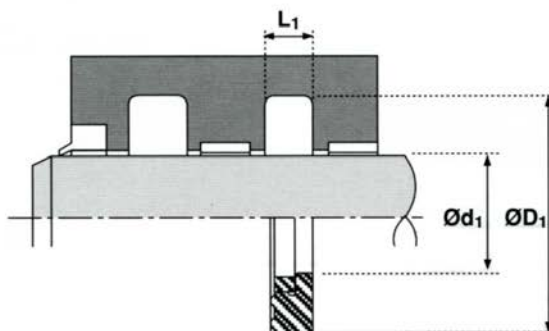
FEATURES

- PREVENTS INTER-SEAL PRESSURE BUILD UP
- INTERCHANGEABLE WITH COMMON PTFE BUFFER SEAL HOUSINGS
- EASY INSTALLATION
- LONG LIFE
- EXCELLENT TEMPERATURE RANGE

Rod buffer seals

653

metric



TYPE 653 URETHANE BUFFER

ITEM DESCRIPTION	ID X OD X HT DIMENSIONS	SALES PRICE	UOM
653 URETHANE BUFFER SEAL 45X56.0X4.2	45MM X 56.0MM X 4.2MM	\$14.93	EA
653 URETHANE BUFFER SEAL 50X65.5X6.3	50MM X 65.5MM X 6.3MM	\$12.03	EA
653 URETHANE BUFFER SEAL 55X70.5X6.3	55MM X 70.5MM X 6.3MM	\$12.59	EA
653 URETHANE BUFFER SEAL 60X75.5X6.3	60MM X 75.5MM X 6.3MM	\$15.63	EA
653 URETHANE BUFFER SEAL 63X78.5X6.3	63MM X 78.5MM X 6.3MM	\$18.62	EA
653 URETHANE BUFFER SEAL 65X80.5X6.3	65MM X 80.5MM X 6.3MM	\$20.92	EA
653 URETHANE BUFFER SEAL 70X85.5X6.3	70MM X 85.5MM X 6.3MM	\$22.13	EA
653 URETHANE BUFFER SEAL 75X90.5X6.3	75MM X 90.5MM X 6.3MM	\$22.65	EA
653 URETHANE BUFFER SEAL 80X95.5X6.3	80MM X 95.5MM X 6.3MM	\$23.35	EA
653 URETHANE BUFFER SEAL 85X100.5X6.3	85MM X 100.5MM X 6.3MM	\$28.94	EA
653 URETHANE BUFFER SEAL 90X105.5X6.3	90MM X 105.5MM X 6.3MM	\$30.28	EA
653 URETHANE BUFFER SEAL 95X110.5X6.3	95MM X 110.5MM X 6.3MM	\$41.99	EA
653 URETHANE BUFFER SEAL 100X115.5X6.3	100MM X 115.5MM X 6.3MM	\$41.68	EA
653 URETHANE BUFFER SEAL 105X120.5X6.3	105MM X 120.5MM X 6.3MM	\$42.93	EA
653 URETHANE BUFFER SEAL 110X125.5X6.3	110MM X 125.5MM X 6.3MM	\$50.76	EA
653 URETHANE BUFFER SEAL 180X195.5X6.3	180MM X 195.5MM X 6.3MM	\$32.40	EA
653 URETHANE BUFFER SEAL 215X236.0X8.1	215MM X 236.0MM X 8.1MM	\$40.50	EA

Rod Buffer Seals

TECHNICAL DETAILS

OPERATING CONDITIONS

MAXIMUM SPEED 4.0 m/sec
 TEMPERATURE RANGE -30°C + 100°C
 MAXIMUM PRESSURE 300 bar

12.0 ft/sec
 -22°F + 212°F
 4500 p.s.i.

MAXIMUM EXTRUSION GAP

PRESSURE bar
 PRESSURE p.s.i.
 MAXIMUM GAP in

Figures show the maximum permissible gap all on one side using minimum rod \varnothing and maximum clearance \varnothing .

100	150	250	300
1500	2400	3750	4500
0.024	0.020	0.018	0.016

SURFACE ROUGHNESS

DYNAMIC SEALING FACE $\varnothing d_1$
 STATIC SEALING FACE $\varnothing D_1$
 STATIC HOUSING FACES L_1

μmRa	μmRt	μinCLA	μinRMS
0.1 ↔ 0.4	4 max	4 ↔ 16	5 ↔ 18
1.6 max	10 max	63 max	70 max
3.2 max	16 max	125 max	140 max

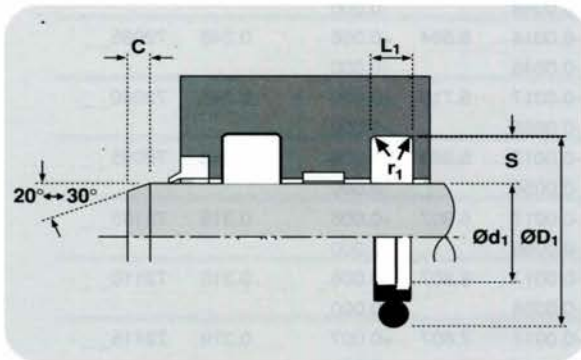
CHAMFERS & RADII

GROOVE SECTION $\leq S$ in
 MIN CHAMFER C in
 MAX FILLET RAD r_1 in

0.148	0.216	0.305	0.413	0.482
0.079	0.118	0.197	0.295	0.315
0.016	0.031	0.047	0.059	0.059

TOLERANCES

$\varnothing d_1$	$\varnothing D_1$	L_1 in
f9	H11	+0.008 -0



FEATURES

- SELF RELIEVING DESIGN PREVENTS PRESSURE TRAPPING
- LOW FRICTION - NO STICK SLIP
- HIGH STRENGTH PRECISION MACHINED PTFE CAP RING
- WIDE RANGE OF MATERIALS AVAILABLE FOR SPECIAL APPLICATIONS
- SIMPLE GROOVE DESIGN AND INSTALLATION

MATERIALS

Face material - O-Ring last two digits of part number

Standard material	
Bronze/PTFE - NBR	00
Material options:	
15% Glass/PTFE - NBR	01
15% Glass/PTFE - FKM	11
Bronze/PTFE - FKM	10

DESIGN

The Hallite 416 is a buffer seal developed to work in conjunction with high performance rod seals, such as the Hallite 605 and 621.

It has a bronze filled PTFE ring with a per-loaded lip energised by an O-Ring. This seal is designed to protect the primary rod seal from pressure spikes in the cylinder. It has a self relieving design in order to prevent excessive pressure build up in the cavity between the buffer seal and the rod seal.

The special PTFE ring has the low frictional properties normally associated with this material but is strengthened by additives to reduce creep. It has a low breakout friction so stick slip is eliminated.

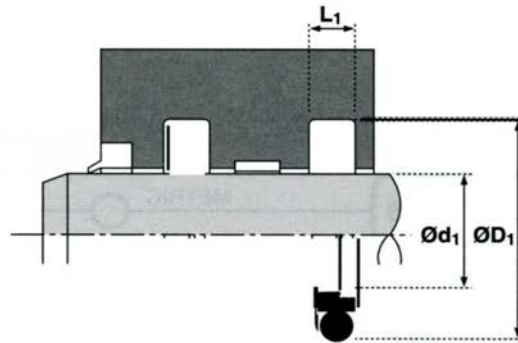
Standard seals are supplied with a nitrile O-Ring but other materials can be provided.

The PTFE ring should always be mounted with the internal step on the pressure side. Sizes above 30mm are easily installed by deforming the PTFE ring into a kidney shape. Sizes under 30mm are best installed using a tool, details of which can be provided.

416

Rod Buffer Seals

416
metric



BRONZE ROD BUFFER SEAL

ITEM DESCRIPTION	ID X OD X HT DIMENSIONS	SALES PRICE	UOM
416 BRZ ROD BUFFER SEAL 6.0X11X2.0	6.0MM X 11.0MM X 2.0MM	\$4.66	EA
416 BRZ ROD BUFFER SEAL 8.0X13X2.0	8.0MM X 13.0MM X 2.0MM	\$4.66	EA
416 BRZ ROD BUFFER SEAL 10X15X2.0	10MM X 15.0MM X 2.0MM	\$4.66	EA
416 BRZ ROD BUFFER SEAL 12X19.5X3.0	12MM X 19.5MM X 3.0MM	\$4.66	EA
416 BRZ ROD BUFFER SEAL 14X21.5X3.0	14MM X 21.5MM X 3.0MM	\$4.66	EA
416 BRZ ROD BUFFER SEAL 16X23.5X3.0	16MM X 23.5MM X 3.0MM	\$12.66	EA
416 BRZ ROD BUFFER SEAL 18X25.5X3.0	18MM X 25.5MM X 3.0MM	\$11.66	EA
416 BRZ ROD BUFFER SEAL 20X27.5X2.9	20MM X 27.5MM X 2.9MM	\$12.14	EA
416 BRZ ROD BUFFER SEAL 20X31.0X4.0	20MM X 31.0MM X 4.0MM	\$12.18	EA
416 BRZ ROD BUFFER SEAL 22X33.0X4.0	22MM X 33.0MM X 4.0MM	\$7.13	EA
416 BRZ ROD BUFFER SEAL 25X36.0X4.0	25MM X 36.0MM X 4.0MM	\$11.92	EA
416 BRZ ROD BUFFER SEAL 28X39.0X4.0	28MM X 39.0MM X 4.0MM	\$10.84	EA
416 BRZ ROD BUFFER SEAL 30X41.0X4.0	30MM X 41.0MM X 4.0MM	\$7.00	EA
416 BRZ ROD BUFFER SEAL 32X43.0X4.0	32MM X 43.0MM X 4.0MM	\$7.16	EA
416 BRZ ROD BUFFER SEAL 35X42.5X2.9	35MM X 42.5MM X 2.9MM	\$14.17	EA
416 BRZ ROD BUFFER SEAL 35X46.0X4.0	35MM X 46.0MM X 4.0MM	\$7.31	EA
416 BRZ ROD BUFFER SEAL 36X47.0X4.0	36MM X 47.0MM X 4.0MM	\$12.27	EA
416 BRZ ROD BUFFER SEAL 40X51.0X4.0	40MM X 51.0MM X 4.0MM	\$12.36	EA
416 BRZ ROD BUFFER SEAL 45X56.0X4.0	45MM X 56.0MM X 4.0MM	\$11.36	EA
416 BRZ ROD BUFFER SEAL 50X61.0X4.0	50MM X 61.0MM X 4.0MM	\$12.92	EA

BRONZE ROD BUFFER SEAL

ITEM DESCRIPTION	ID X OD X HT DIMENSIONS	SALES PRICE	UOM
416 BRZ ROD BUFFER SEAL 55X66.0X4.0	55MM X 66.0MM X 4.0MM	\$10.32	EA
416 BRZ ROD BUFFER SEAL 56X67.0X4.0	56MM X 67.0MM X 4.0MM	\$12.27	EA
416 BRZ ROD BUFFER SEAL 60X71.0X4.0	60MM X 71.0MM X 4.0MM	\$17.24	EA
416 BRZ ROD BUFFER SEAL 63X74.0X4.0	63MM X 74.0MM X 4.0MM	\$10.98	EA
416 BRZ ROD BUFFER SEAL 15X30.5X5.9	15MM X 30.5MM X 5.9MM	\$6.45	EA
416 BRZ ROD BUFFER SEAL 20X35.5X5.9	20MM X 35.5MM X 5.9MM	\$6.37	EA
416 BRZ ROD BUFFER SEAL 25X40.5X5.9	25MM X 40.5MM X 5.9MM	\$7.71	EA
416 BRZ ROD BUFFER SEAL 30X45.5X5.9	30MM X 45.5MM X 5.9MM	\$8.39	EA
416 BRZ ROD BUFFER SEAL 35X50.5X5.9	35MM X 50.5MM X 5.9MM	\$9.23	EA
416 BRZ ROD BUFFER SEAL 40X55.5X5.9	40MM X 55.5MM X 5.9MM	\$13.52	EA
416 BRZ ROD BUFFER SEAL 42X57.5X5.9	42MM X 57.5MM X 5.9MM	\$10.73	EA
416 BRZ ROD BUFFER SEAL 45X60.5X5.9	45MM X 60.5MM X 5.9MM	\$14.60	EA
416 BRZ ROD BUFFER SEAL 48X63.5X5.9	48MM X 63.5MM X 5.9MM	\$11.95	EA
416 BRZ ROD BUFFER SEAL 50X65.5X5.9	50MM X 65.5MM X 5.9MM	\$13.15	EA
416 BRZ ROD BUFFER SEAL 52X67.5X5.9	52MM X 67.5MM X 5.9MM	\$13.16	EA
416 BRZ ROD BUFFER SEAL 55X70.5X5.9	55MM X 70.5MM X 5.9MM	\$14.91	EA
416 BRZ ROD BUFFER SEAL 56X71.5X5.9	56MM X 71.5MM X 5.9MM	\$14.91	EA
416 BRZ ROD BUFFER SEAL 60X75.5X5.9	60MM X 75.5MM X 5.9MM	\$24.67	EA
416 BRZ ROD BUFFER SEAL 63X78.5X5.9	63MM X 78.5MM X 5.9MM	\$15.12	EA
416 BRZ ROD BUFFER SEAL 65X80.5X5.9	65MM X 80.5MM X 5.9MM	\$17.18	EA
416 BRZ ROD BUFFER SEAL 70X85.5X5.9	70MM X 85.5MM X 5.9MM	\$20.02	EA
416 BRZ ROD BUFFER SEAL 75X90.5X5.9	75MM X 90.5MM X 5.9MM	\$18.95	EA
416 BRZ ROD BUFFER SEAL 80X95.5X5.9	80MM X 95.5MM X 5.9MM	\$20.36	EA
416 BRZ ROD BUFFER SEAL 85X100.5X5.9	85MM X 100.5MM X 5.9MM	\$21.16	EA
416 BRZ ROD BUFFER SEAL 90X105.5X5.9	90MM X 105.5MM X 5.9MM	\$22.88	EA
416 BRZ ROD BUFFER SEAL 95X110.5X5.9	95MM X 110.5MM X 5.9MM	\$23.98	EA
416 BRZ ROD BUFFER SEAL 100X115.5X5.9	100MM X 115.5MM X 5.9MM	\$24.94	EA

Precision Seals, Inc.
820 Honeysuckle Drive
Fultondale, AL 35068

SALES OFFICE HOURS
7 A.M. TO 5 P.M. CST
www.precisionseals.com

PHONE 205-631-7006
FAX 205-631-7032
TOLL FREE 800-233-8585

BRONZE ROD BUFFER SEAL

ITEM DESCRIPTION	ID X OD X HT DIMENSIONS	SALES PRICE	UOM
416 BRZ ROD BUFFER SEAL 105X120.5X5.9	105MM X 120.5MM X 5.9MM	\$24.11	EA
416 BRZ ROD BUFFER SEAL 110X125.5X5.9	110MM X 125.5MM X 5.9MM	\$25.36	EA
416 BRZ ROD BUFFER SEAL 115X130.5X5.9	115MM X 130.5MM X 5.9MM	\$26.19	EA
416 BRZ ROD BUFFER SEAL 120X135.5X5.9	120MM X 135.5MM X 5.9MM	\$27.34	EA
416 BRZ ROD BUFFER SEAL 125X140.5X5.9	125MM X 140.5MM X 5.9MM	\$28.91	EA
416 BRZ ROD BUFFER SEAL 130X145.5X5.9	130MM X 145.5MM X 5.9MM	\$29.49	EA
416 BRZ ROD BUFFER SEAL 135X150.5X5.9	135MM X 150.5MM X 5.9MM	\$31.18	EA
416 BRZ ROD BUFFER SEAL 140X155.5X5.9	140MM X 155.5MM X 5.9MM	\$28.99	EA
416 BRZ ROD BUFFER SEAL 145X160.5X5.9	145MM X 160.5MM X 5.9MM	\$33.02	EA
416 BRZ ROD BUFFER SEAL 150X165.5X5.9	150MM X 165.5MM X 5.9MM	\$34.79	EA
416 BRZ ROD BUFFER SEAL 155X170.5X5.9	155MM X 170.5MM X 5.9MM	\$34.99	EA
416 BRZ ROD BUFFER SEAL 160X175.5X5.9	160MM X 175.5MM X 5.9MM	\$36.88	EA
416 BRZ ROD BUFFER SEAL 165X180.5X5.9	165MM X 180.5MM X 5.9MM	\$38.99	EA
416 BRZ ROD BUFFER SEAL 170X185.5X5.9	170MM X 185.5MM X 5.9MM	\$42.38	EA
416 BRZ ROD BUFFER SEAL 180X195.5X5.9	180MM X 195.5MM X 5.9MM	\$62.81	EA
416 BRZ ROD BUFFER SEAL 190X205.5X5.9	190MM X 205.5MM X 5.9MM	\$50.48	EA
416 BRZ ROD BUFFER SEAL 200X215.5X5.9	200MM X 215.5MM X 5.9MM	\$55.23	EA
416 BRZ ROD BUFFER SEAL 200X220.5X7.9	200MM X 220.5MM X 7.9MM	\$78.36	EA

Need help finding an item, give us a call.

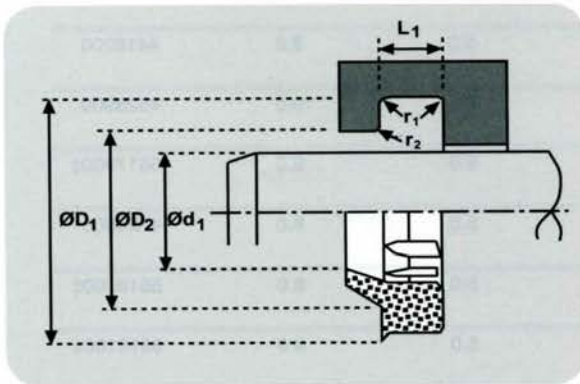
We will be happy to help!

Wipers

TECHNICAL DETAILS		METRIC	INCH
OPERATING CONDITIONS			
MAXIMUM SPEED	4.0 m/sec	12.0 ft/sec	
TEMPERATURE RANGE	-40°C + 120°C	-40°F + 250°F	
SURFACE ROUGHNESS			
DYNAMIC SEALING FACE $\varnothing d_1$	0.1 ↔ 0.4	4 max	4 ↔ 16 5 ↔ 18
STATIC SEALING FACE $\varnothing D_1, \varnothing D_2$	1.6 max	10 max	64 max 70 max
STATIC HOUSING FACES L_1	3.2 max	16 max	125 max 140 max
CHAMFERS & RADII			
ROD DIAMETER $\varnothing d_1$ mm	≤ 50	≤ 90	≤ 200 > 200
MAX FILLET RAD r_1 mm	0.4	0.4	0.4 0.8
MAX FILLET RAD r_2 mm	0.2	0.4	0.6 0.8
TOLERANCES			
	$\varnothing d_1$	$\varnothing D_1$	$\varnothing D_2$ L_1
mm	f9	H11	H11 +0.2 -0



38



DESIGN

The Hallite 38 wiper has been designed so that the proportions of the wiping lip ensure it maintains contact with the rod surface to remove heavily deposited mud, ice etc. The outside diameter contacts the housing and has a sealing lip to prevent moisture entering the groove. A polyester based material is used to provide a tough abrasion resistant wiper for the difficult conditions usually found in mining or earth moving applications. All the range can be used with a split housing, however, the majority can be installed in a blind housing with care.

FEATURES

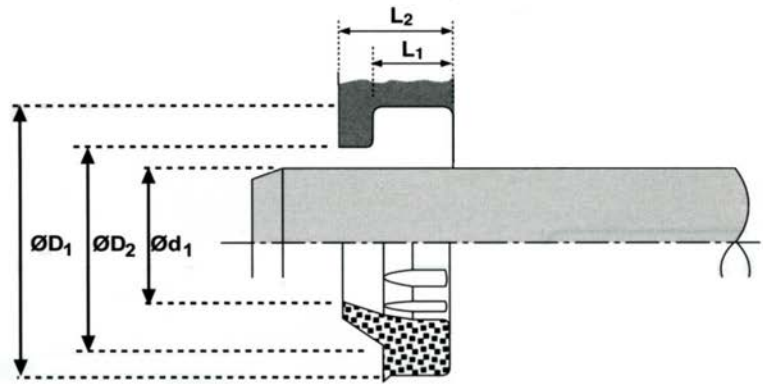
- OUTSIDE LIP FOR EFFECTIVE HOUSING SEAL
- PRESSURE RELIEF RIBS
- EFFECTIVE SCRAPING LIP

NB: Part numbers suffixed by "‡" indicate housing sizes to meet ISO 6195A.

Wipers

38

metric



TYPE 38 METRIC STYLE D WIPERS

ITEM DESCRIPTION	ID X OD X HT DIMENSIONS	SALES PRICE	UOM
METRIC STYLE D WIPER 12X18.6X3.8	12MM X 18.6MM X 3.8MM	\$9.01	EA
METRIC STYLE D WIPER 14X20.6X3.8	14MM X 20.6MM X 3.8MM	\$10.14	EA
METRIC STYLE D WIPER 16X24.6X5.3	16MM X 24.6MM X 5.3MM	\$8.15	EA
METRIC STYLE D WIPER 18X24X5.0	18MM X 24MM X 5.0MM	\$8.55	EA
METRIC STYLE D WIPER 20X28X5.0	20MM X 28MM X 5.0MM	\$9.01	EA
METRIC STYLE D WIPER 22X30X4.0	22MM X 30MM X 4.0MM	\$9.12	EA
METRIC STYLE D WIPER 22X30X5.0	22MM X 30MM X 5.0MM	\$9.12	EA
METRIC STYLE D WIPER 22X30X6.0	22MM X 30MM X 6.0MM	\$4.99	EA
METRIC STYLE D WIPER 25X33X4.0	25MM X 33MM X 4.0MM	\$10.14	EA
METRIC STYLE D WIPER 25X33X5.0	25MM X 33MM X 5.0MM	\$9.60	EA
METRIC STYLE D WIPER 25X33X6.0	25MM X 33MM X 6.0MM	\$3.72	EA
METRIC STYLE D WIPER 26X34X4.0	26MM X 34MM X 4.0MM	\$4.99	EA
METRIC STYLE D WIPER 28X36X5.0	28MM X 36MM X 5.0MM	\$9.92	EA
METRIC STYLE D WIPER 28X41X6.0	28MM X 41MM X 6.0MM	\$5.08	EA
METRIC STYLE D WIPER 30X38X5.0	30MM X 38MM X 5.0MM	\$10.19	EA
METRIC STYLE D WIPER 30X41.2X7.5	30MM X 41.2MM X 7.5MM	\$8.42	EA
METRIC STYLE D WIPER 32X40X5.0	32MM X 40MM X 5.0MM	\$10.51	EA
METRIC STYLE D WIPER 35X43.6X5.3	35MM X 43.6MM X 5.3MM	\$8.41	EA
METRIC STYLE D WIPER 35X45X5.8	35MM X 45MM X 5.8MM	\$22.67	EA
METRIC STYLE D WIPER 35X47X9.0	35MM X 47MM X 9.0MM	\$8.72	EA
METRIC STYLE D WIPER 36X44X5.0	36MM X 44MM X 5.0MM	\$10.73	EA
METRIC STYLE D WIPER 36X44X6.4	36MM X 44MM X 6.4MM	\$8.05	EA
METRIC STYLE D WIPER 38X46.6X5.3	38MM X 46.6MM X 5.3MM	\$8.53	EA

Precision Seals, Inc.
820 Honeysuckle Drive
Fultondale, AL 35068

SALES OFFICE HOURS
7 A.M. TO 5 P.M. CST
www.precisionseals.com

PHONE 205-631-7006
FAX 205-631-7032
TOLL FREE 800-233-8585

TYPE 38 METRIC STYLE D WIPERS

ITEM DESCRIPTION	ID X OD X HT DIMENSIONS	SALES PRICE	UOM
<i>METRIC STYLE D WIPER 38X50X7.5</i>	38MM X 50MM X 7.5MM	\$13.20	EA
<i>METRIC STYLE D WIPER 40X48X5.0</i>	40MM X 48MM X 5.0MM	\$10.89	EA
<i>METRIC STYLE D WIPER 40X50X5.0</i>	40MM X 50MM X 5.0MM	\$10.98	EA
<i>METRIC STYLE D WIPER 40X53X6.0</i>	40MM X 53MM X 6.0MM	\$5.82	EA
<i>METRIC STYLE D WIPER 42X50X6.0</i>	42MM X 50MM X 6.0MM	\$7.76	EA
<i>METRIC STYLE D WIPER 45X53X5.0</i>	45MM X 53MM X 5.0MM	\$11.32	EA
<i>METRIC STYLE D WIPER 45X55.6X5.3</i>	45MM X 55.6MM X 5.3MM	\$11.32	EA
<i>METRIC STYLE D WIPER 45X57X5.0</i>	45MM X 57MM X 5.0MM	\$10.17	EA

**QUALITY AND
RELIABLE
SERVICE! LOW
SHIPPING COSTS!**

*Precision Seals, Inc.
820 Honeysuckle Drive
Fultondale, AL 35068*

**SALES OFFICE HOURS
7 A.M. TO 5 P.M. CST
www.precisionseals.com**

**PHONE 205-631-7006 269
FAX 205-631-7032
TOLL FREE 800-233-8585**

TYPE 38 METRIC STYLE D WIPERS

ITEM DESCRIPTION	ID X OD X HT DIMENSIONS	SALES PRICE	UOM
METRIC STYLE D WIPER 50X58X5.0	50MM X 58MM X 5.0MM	\$11.48	EA
METRIC STYLE D WIPER 50X60X7.0	50MM X 60MM X 7.0MM	\$8.80	EA
METRIC STYLE D WIPER 50X60.6X5.3	50MM X 60.6MM X 5.3MM	\$11.80	EA
METRIC STYLE D WIPER 50X58.6X5.3	50MM X 58.6MM X 5.3MM	\$12.07	EA
METRIC STYLE D WIPER 55X63X4	55MM X 63MM X 4.0MM	\$13.04	EA
METRIC STYLE D WIPER 55X65.6X5.3	55MM X 65.6MM X 5.3MM	\$13.04	EA
METRIC STYLE D WIPER 56X66X6.3	56MM X 66MM X 6.3MM	\$13.09	EA
METRIC STYLE D WIPER 56X66.6X5.3	56MM X 66.6MM X 5.3MM	\$13.13	EA
METRIC STYLE D WIPER 58X60X6.0	58MM X 60MM X 6.0MM	\$11.19	EA
METRIC STYLE D WIPER 60X68X7.0	60MM X 68MM X 7.0MM	\$13.20	EA
METRIC STYLE D WIPER 60X70X5.3	60MM X 70MM X 5.3MM	\$13.20	EA
METRIC STYLE D WIPER 60X70X6.3	60MM X 70MM X 6.3MM	\$13.41	EA
METRIC STYLE D WIPER 60X70.6X5.3	60MM X 70.6MM X 5.3MM	\$13.36	EA
METRIC STYLE D WIPER 60X72X4.1	60MM X 72MM X 4.1MM	\$13.36	EA
METRIC STYLE D WIPER 63X73X6.3	63MM X 73MM X 6.3MM	\$13.41	EA
METRIC STYLE D WIPER 63X73.6X5.3	63MM X 73.6MM X 5.3MM	\$13.63	EA
METRIC STYLE D WIPER 65X73X4.0	65MM X 73MM X 4.0MM	\$11.21	EA.
METRIC STYLE D WIPER 65X73X7.0	65MM X 73MM X 7.0MM	\$11.21	EA.
METRIC STYLE D WIPER 65X75X6.3	65MM X 75MM X 6.3MM	\$11.79	EA
METRIC STYLE D WIPER 70X80X6.3	70MM X 80MM X 6.3MM	\$15.72	EA
METRIC STYLE D WIPER 70X80X7.2	70MM X 80MM X 7.2MM	\$15.72	EA
METRIC STYLE D WIPER 70X80.6X5.3	70MM X 80.6MM X 5.3MM	\$15.66	EA
METRIC STYLE D WIPER 75X85X6.3	75MM X 85MM X 6.3MM	\$18.29	EA
METRIC STYLE D WIPER 80X88X4.0	80MM X 88MM X 4.0MM	\$4.62	EA
METRIC STYLE D WIPER 80X90X6.3	80MM X 90MM X 6.3MM	\$17.11	EA
METRIC STYLE D WIPER 80X90X7.5	80MM X 90MM X 7.5MM	\$18.03	EA
METRIC STYLE D WIPER 80X92.2X7.2	80MM X 92.2MM X 7.2MM	\$15.88	EA
METRIC STYLE D WIPER 82.6X92.2X5.3	82.6MM X 92.2MM X 5.3MM	\$18.88	EA
METRIC STYLE D WIPER 85X93.6X5.3	85MM X 93.6MM X 5.3MM	\$18.55	EA
METRIC STYLE D WIPER 85X98X7.5	85MM X 98MM X 7.5MM	\$18.91	EA
METRIC STYLE D WIPER 88X100.2X7.2	88MM X 100.2MM X 7.2MM	\$19.21	EA
METRIC STYLE D WIPER 90X100X6.3	90MM X 100MM X 6.3MM	\$18.24	EA
METRIC STYLE D WIPER 90X102X7.2	90MM X 102MM X 7.2MM	\$18.24	EA

Precision Seals, Inc.
820 Honeysuckle Drive
Fultondale, AL 35068

SALES OFFICE HOURS
7 A.M. TO 5 P.M. CST
www.precisionseals.com

PHONE 205-631-7006
FAX 205-631-7032
TOLL FREE 800-233-8585

TYPE 38 METRIC STYLE D WIPERS

ITEM DESCRIPTION	ID X OD X HT DIMENSIONS	SALES PRICE	UOM
METRIC STYLE D WIPER 95X107X7.1	95MM X 107MM X 7.1MM	\$19.42	EA
METRIC STYLE D WIPER 100X110.6X5.3	100MM X 110.6MM X 5.3MM	\$19.90	EA
METRIC STYLE D WIPER 100X112.2X7.1	100MM X 112.2MM X 7.1MM	\$20.60	EA
METRIC STYLE D WIPER 100X115X9.5	100MM X 115MM X 9.5MM	\$25.70	EA
METRIC STYLE D WIPER 101.6X116.6X9.5	101.6MM X 116.6MM X 9.5MM	\$28.70	EA
METRIC STYLE D WIPER 105X113X5.0	105MM X 113MM X 5.0MM	\$29.18	EA
METRIC STYLE D WIPER 105X120X7.2	105MM X 120MM X 7.2MM	\$29.29	EA
METRIC STYLE D WIPER 110X122.2X7.1	110MM X 122.2MM X 7.1MM	\$27.79	EA
METRIC STYLE D WIPER 110X125X9.5	110MM X 125MM X 9.5MM	\$27.79	EA
METRIC STYLE D WIPER 115X127.2X7.2	115MM X 127.2MM X 7.2MM	\$30.52	EA
METRIC STYLE D WIPER 120X132.2X7.2	120MM X 132.2MM X 7.2MM	\$30.74	EA
METRIC STYLE D WIPER 120X135X9.5	120MM X 135MM X 9.5MM	\$31.11	EA
METRIC STYLE D WIPER 125X133X5.3	125MM X 133MM X 5.3MM	\$31.28	EA
METRIC STYLE D WIPER 125X137X5.5	125MM X 137MM X 5.5MM	\$22.48	EA
METRIC STYLE D WIPER 125X137.2X7.7	125MM X 137.2MM X 7.7MM	\$31.97	EA
METRIC STYLE D WIPER 125X140X9.5	125MM X 140MM X 9.5MM	\$30.31	EA
METRIC STYLE D WIPER 128X143X9.5	128MM X 143MM X 9.5MM	\$24.30	EA
METRIC STYLE D WIPER 130X142.2X7.1	130MM X 142.2MM X 7.1MM	\$32.08	EA
METRIC STYLE D WIPER 132X144.2X7.2	132MM X 144.2MM X 7.2MM	\$35.35	EA
METRIC STYLE D WIPER 135X150X9.5	135MM X 150MM X 9.5MM	\$36.85	EA
METRIC STYLE D WIPER 140X152.2X7.7	140MM X 152.2MM X 7.7MM	\$38.30	EA
METRIC STYLE D WIPER 140X155X9.5	140MM X 155MM X 9.5MM	\$36.32	EA
METRIC STYLE D WIPER 140X155.2X7.6	140MM X 155.2MM X 7.6MM	\$38.76	EA
METRIC STYLE D WIPER 145X153.6X5.3	145MM X 153.6MM X 5.3MM	\$38.44	EA
METRIC STYLE D WIPER 150X162.2X7.7	150MM X 162.2MM X 7.7MM	\$41.47	EA
METRIC STYLE D WIPER 150X165X7.2	150MM X 165MM X 7.2MM	\$41.84	EA
METRIC STYLE D WIPER 150X165X10.2	150MM X 165MM X 10.2MM	\$42.70	EA
METRIC STYLE D WIPER 150X166X8.0	150MM X 166MM X 8.0MM	\$42.78	EA

Precision Seals, Inc.
820 Honeysuckle Drive
Fultondale, AL 35068

SALES OFFICE HOURS
7 A.M. TO 5 P.M. CST
www.precisionseals.com

PHONE 205-631-7006 271
FAX 205-631-7032
TOLL FREE 800-233-8585

TYPE 38 METRIC STYLE D WIPERS

ITEM DESCRIPTION	ID X OD X HT DIMENSIONS	SALES PRICE	UOM
<i>METRIC STYLE D WIPER 155X163X5.0</i>	155MM X 163MM X 5.0MM	\$44.50	EA
<i>METRIC STYLE D WIPER 155X167.2X7.6</i>	155MM X 167.2MM X 7.6MM	\$44.37	EA
<i>METRIC STYLE D WIPER 155X175X10.2</i>	155MM X 175MM X 10.2MM	\$44.53	EA
<i>METRIC STYLE D WIPER 160X172.2X7.7</i>	160MM X 172.2MM X 7.7MM	\$45.12	EA
<i>METRIC STYLE D WIPER 160X175X9.5</i>	160MM X 175MM X 9.5MM	\$56.17	EA
<i>METRIC STYLE D WIPER 160X175X10.2</i>	160MM X 175MM X 10.2MM	\$45.17	EA
<i>METRIC STYLE D WIPER 165X180X9.5</i>	165MM X 180MM X 9.5MM	\$56.03	EA
<i>METRIC STYLE D WIPER 170X182.3X7.7</i>	170MM X 182.3MM X 7.7MM	\$46.75	EA
<i>METRIC STYLE D WIPER 170X185X9.5</i>	170MM X 185MM X 9.5MM	\$34.76	EA
<i>METRIC STYLE D WIPER 175X185X7.6</i>	175MM X 185MM X 7.6MM	\$46.99	EA
<i>METRIC STYLE D WIPER 177X192X9.5</i>	177MM X 192MM X 9.5MM	\$47.07	EA
<i>METRIC STYLE D WIPER 180X195X9.5</i>	180MM X 195MM X 9.5MM	\$47.21	EA
<i>METRIC STYLE D WIPER 180X195X10.2</i>	180MM X 195MM X 10.2MM	\$44.74	EA
<i>METRIC STYLE D WIPER 180X200X10.2</i>	180MM X 200MM X 10.2MM	\$28.97	EA
<i>METRIC STYLE D WIPER 185X193.6X5.3</i>	185MM X 193.6MM X 5.3MM	\$20.31	EA
<i>METRIC STYLE D WIPER 195X210X10.2</i>	195MM X 210MM X 10.2MM	\$46.62	EA
<i>METRIC STYLE D WIPER 200X208.6X5.3</i>	200MM X 208.6MM X 5.3MM	\$50.43	EA
<i>METRIC STYLE D WIPER 200X210X7.6</i>	200MM X 210MM X 7.6MM	\$38.20	EA
<i>METRIC STYLE D WIPER 200X215X9.5</i>	200MM X 215MM X 9.5MM	\$51.50	EA
<i>METRIC STYLE D WIPER 200X220X10.2</i>	200MM X 220MM X 10.2MM	\$52.09	EA

ALL CUSTOMERS
HIGH PRIORITY!

272 Precision Seals, Inc.
820 Honeysuckle Drive
Fultondale, AL 35068

SALES OFFICE HOURS
7 A.M. TO 5 P.M. CST
www.precisionseals.com

PHONE 205-631-7006
FAX 205-631-7032
TOLL FREE 800-233-8585

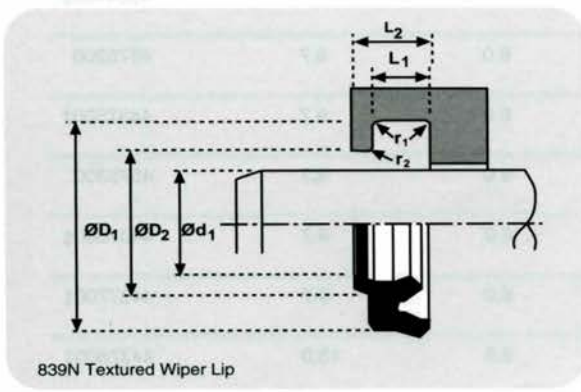
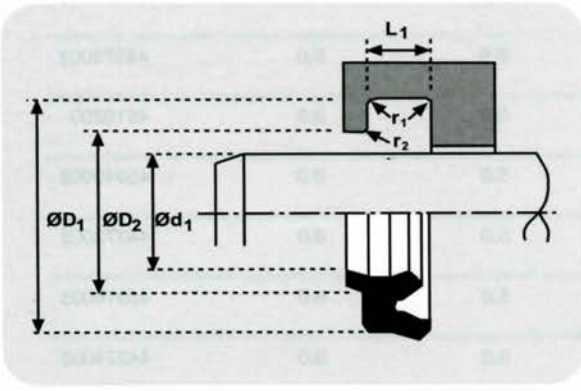
Wipers

TECHNICAL DETAILS		METRIC	INCH
OPERATING CONDITIONS			
MAXIMUM SPEED	4.0 m/sec	12.0 ft/sec	
TEMPERATURE RANGE	-45°C + 110°C	-50°F + 230°F	
SURFACE ROUGHNESS			
DYNAMIC SEALING FACE $\varnothing d_1$	μmRa 0.1 ÷ 0.4	μmRt 4 max	μinCLA 4 ÷ 16 μinRMS 5 ÷ 18
STATIC SEALING FACE $\varnothing D_1$ $\varnothing D_2$	1.6 max	10 max	63 max 70 max
STATIC HOUSING FACES L_1	3.2 max	16 max	125 max 140 max
RADII			
ROD DIAMETER $\varnothing d_1$ mm	≤ 90	> 90	
MAX FILLET RAD r_1 mm	0.2	0.4	
MAX FILLET RAD r_2 mm	0.4	0.4	
TOLERANCES			
839 mm	$\varnothing d_1$ f9	$\varnothing D_1$ H11	$\varnothing D_2$ H11 L_1 +0.2 -0
839N mm	f9	+0-0.2	-0.1 +0.4 -0



N638/839N

839/838



839N Textured Wiper Lip

DESIGN

The Hallite 839 wiper is precision moulded in Hallite's high performance polyurethane - Hythane 181 for maximum wear resistance, and is designed to exclude dirt and moisture from entering the cylinder and to collect traces of fluid passing the rod seal.

Opposite the wiper lip are two sealing lips accurately produced and proportioned to provide the secondary sealing function. To obtain stability and improve the seal the outside diameter is in interference with the housing.

The Hallite 839N wiper is designed to suit popular Asian housings and has a textured wiping lip for improved performance.

FEATURES

- TWIN LIP ENSURES DRIER SEALING SYSTEM.
- HARD WEARING MATERIAL FOR LONG LIFE

NB:

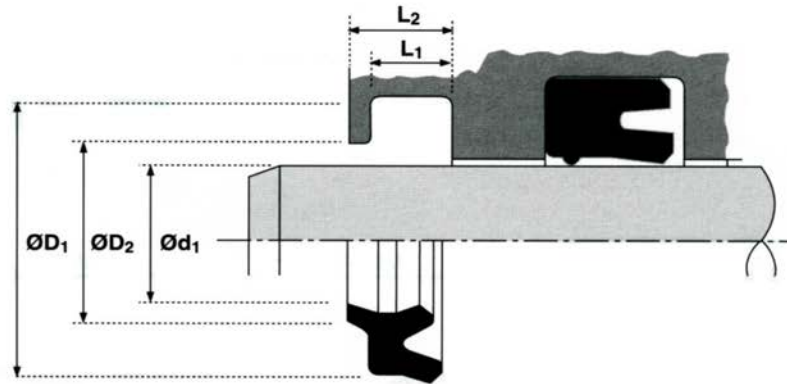
Part numbers suffixed by "‡" indicate housing sizes to meet ISO 6195C.

A vent between the seal and the wiper is recommended to avoid a pressure trap.

Wipers

839

metric



TYPE 839N METRIC STYLE H WIPERS

ITEM DESCRIPTION	ID X OD X HT DIMENSIONS	SALES PRICE	UOM
839N METRIC STYLE H WIPER 14X22X4.8	14MM X 22MM X 4.8MM	\$9.99	EA
839N METRIC STYLE H WIPER 18X26X4.8	18MM X 26MM X 4.8MM	\$9.64	EA
839N METRIC STYLE H WIPER 20X28X4.8	20MM X 28MM X 4.8MM	\$9.89	EA
839N METRIC STYLE H WIPER 22.4X30.4X4.8	22.4MM X 30.4MM X 4.8MM	\$9.36	EA
839N METRIC STYLE H WIPER 25X33X4.8	25MM X 33MM X 4.8MM	\$10.02	EA
839N METRIC STYLE H WIPER 30X38X5.8	30MM X 38MM X 5.8MM	\$11.03	EA
839N METRIC STYLE H WIPER 31.5X38.5X5.8	31.5MM X 38.5MM X 5.8MM	\$10.22	EA
839N METRIC STYLE H WIPER 32X40X5.8	32MM X 40MM X 5.8MM	\$10.62	EA
839N METRIC STYLE H WIPER 35X43X5.8	35MM X 43MM X 5.8MM	\$11.23	EA
839N METRIC STYLE H WIPER 35.5X43.5X5.8	35.5MM X 43.5MM X 5.8MM	\$7.42	EA
839N METRIC STYLE H WIPER 38X46X5.8	38MM X 46MM X 5.8MM	\$10.91	EA
839N METRIC STYLE H WIPER 40X48X5.8	40MM X 48MM X 5.8MM	\$12.49	EA
839N METRIC STYLE H WIPER 45X53X5.8	45MM X 53MM X 5.8MM	\$12.86	EA
839N METRIC STYLE H WIPER 50X58X5.8	50MM X 58MM X 5.8MM	\$13.66	EA
839N METRIC STYLE H WIPER 53X61X5.8	53MM X 61MM X 5.8MM	\$10.91	EA
839N METRIC STYLE H WIPER 56X64X5.8	56MM X 64MM X 5.8MM	\$14.72	EA
839N METRIC STYLE H WIPER 60X68X5.8	60MM X 68MM X 5.8MM	\$14.72	EA
839N METRIC STYLE H WIPER 63X71X5.8	63MM X 71MM X 5.8MM	\$14.56	EA
839N METRIC STYLE H WIPER 65X73X5.8	65MM X 73MM X 5.8MM	\$7.12	EA

274 Precision Seals, Inc.
820 Honeysuckle Drive
Fultondale, AL 35068

SALES OFFICE HOURS
7 A.M. TO 5 P.M. CST
www.precisionseals.com

PHONE 205-631-7006
FAX 205-631-7032
TOLL FREE 800-233-8585

TYPE 839N METRIC STYLE H WIPERS

ITEM DESCRIPTION	ID X OD X HT DIMENSIONS	SALES PRICE	UOM
839N METRIC STYLE H WIPER 70X80X6.8	70MM X 80MM X 6.8MM	\$10.73	EA
839N METRIC STYLE H WIPER 75X85X6.8	75MM X 85MM X 6.8MM	\$12.11	EA
839N METRIC STYLE H WIPER 80X90X6.8	80MM X 90MM X 6.8MM	\$18.34	EA
839N METRIC STYLE H WIPER 90X100X6.8	90MM X 100MM X 6.8MM	\$12.80	EA
839N METRIC STYLE H WIPER 100X110X6.8	100MM X 110MM X 6.8MM	\$17.85	EA
839N METRIC STYLE H WIPER 110X120X6.8	110MM X 120MM X 6.8MM	\$15.73	EA
839N METRIC STYLE H WIPER 112X122X6.8	112MM X 122MM X 6.8MM	\$16.82	EA
839N METRIC STYLE H WIPER 130X143X7.8	130MM X 143MM X 7.8MM	\$20.72	EA
839N METRIC STYLE H WIPER 136X149X7.8	136MM X 149MM X 7.8MM	\$21.93	EA
839N METRIC STYLE H WIPER 140X153X7.8	140MM X 153MM X 7.8MM	\$21.30	EA
839N METRIC STYLE H WIPER 145X158X7.8	145MM X 158MM X 7.8MM	\$21.53	EA
839N METRIC STYLE H WIPER 150X163X7.8	150MM X 163MM X 7.8MM	\$21.81	EA
839N METRIC STYLE H WIPER 160X174X7.8	160MM X 174MM X 7.8MM	\$29.96	EA

LOW SHIPPING COST!
AND
QUICK, DEPENDABLE SERVICE!

Precision Seals, Inc.
820 Honeysuckle Drive
Fultondale, AL 35068

SALES OFFICE HOURS
7 A.M. TO 5 P.M. CST
www.precisionseals.com

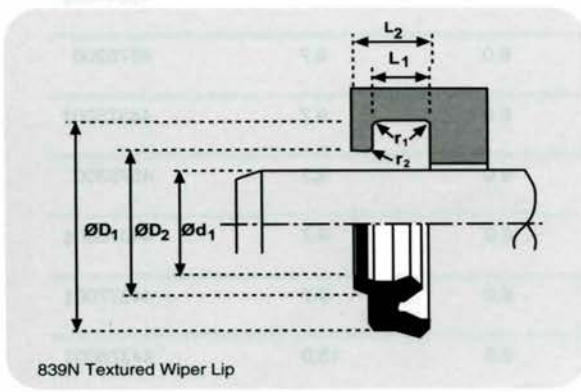
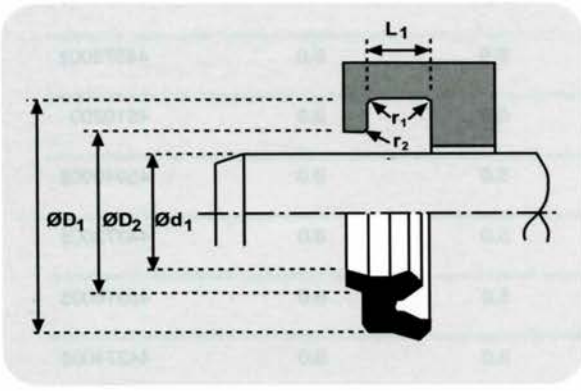
PHONE 205-631-7006 275
FAX 205-631-7032
TOLL FREE 800-233-8585

Wipers

TECHNICAL DETAILS		METRIC	INCH
OPERATING CONDITIONS			
MAXIMUM SPEED	4.0 m/sec	12.0 ft/sec	
TEMPERATURE RANGE	-45°C + 110°C	-50°F + 230°F	
SURFACE ROUGHNESS			
DYNAMIC SEALING FACE $\varnothing d_1$	$0.1 \div 0.4$	4 max	$4 \div 16$ $5 \div 18$
STATIC SEALING FACE $\varnothing D_1$ $\varnothing D_2$	1.6 max	10 max	63 max 70 max
STATIC HOUSING FACES L_1	3.2 max	16 max	125 max 140 max
RADII			
ROD DIAMETER $\varnothing d_1$ mm	≤ 90	> 90	
MAX FILLET RAD r_1 mm	0.2	0.4	
MAX FILLET RAD r_2 mm	0.4	0.4	
TOLERANCES			
839 mm	$\varnothing d_1$	$\varnothing D_1$	$\varnothing D_2$ L_1
	f9	H11	H11 +0.2 -0
839N mm	f9	+0-0.2	-0.1 +0.4 -0



839/839N



839N Textured Wiper Lip

DESIGN

The Hallite 839 wiper is precision moulded in Hallite's high performance polyurethane - Hythane 181 for maximum wear resistance, and is designed to exclude dirt and moisture from entering the cylinder and to collect traces of fluid passing the rod seal.

Opposite the wiper lip are two sealing lips accurately produced and proportioned to provide the secondary sealing function. To obtain stability and improve the seal the outside diameter is in interference with the housing.

The Hallite 839N wiper is designed to suit popular Asian housings and has a textured wiping lip for improved performance.

FEATURES

- TWIN LIP ENSURES DRIER SEALING SYSTEM.
- HARD WEARING MATERIAL FOR LONG LIFE

NB:

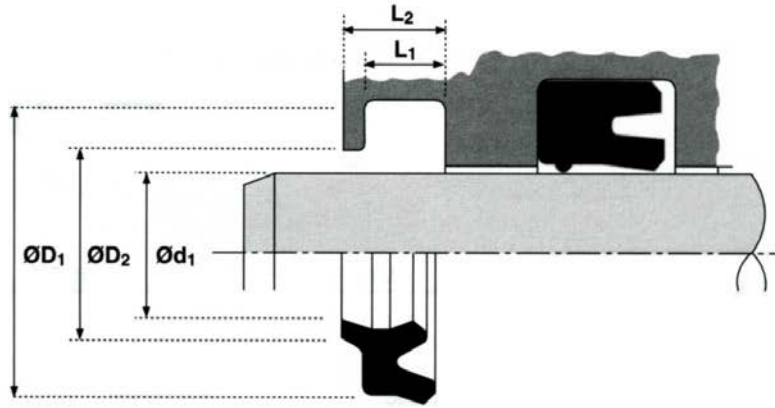
Part numbers suffixed by "‡" indicate housing sizes to meet ISO 6195C.

A vent between the seal and the wiper is recommended to avoid a pressure trap.

Wipers

839

metric



TYPE 839 METRIC STYLE H WIPERS

ITEM DESCRIPTION	ID X OD X HT DIMENSIONS	SALES PRICE	UOM
839 METRIC STYLE H WIPER 12X18X4.0	12MM X 18MM X 4.0MM	\$13.43	EA
839 METRIC STYLE H WIPER 12.7X18.7X4.0	12.7MM X 18.7MM X 4.0MM	\$12.34	EA
839 METRIC STYLE H WIPER 14X20X4.0	14MM X 20MM X 4.0MM	\$13.83	EA
839 METRIC STYLE H WIPER 15X22X3.8	15MM X 22MM X 3.8MM	\$13.89	EA
839 METRIC STYLE H WIPER 15.9X21.9X4.0	15.9MM X 21.9MM X 4.0MM	\$12.34	EA
839 METRIC STYLE H WIPER 18X24X4.0	18MM X 24MM X 4.0MM	\$8.78	EA
839 METRIC STYLE H WIPER 18X24X7.4	18MM X 24MM X 7.4MM	\$11.02	EA
839 METRIC STYLE H WIPER 20X26X4.0	20MM X 26MM X 4.0MM	\$14.75	EA
839 METRIC STYLE H WIPER 22X28X4.0	22MM X 28MM X 4.0MM	\$9.36	EA
839 METRIC STYLE H WIPER 25X31X6.3	25MM X 31MM X 6.3MM	\$4.70	EA
839 METRIC STYLE H WIPER 25X37X6.0	25MM X 37MM X 6.0MM	\$7.36	EA
839 METRIC STYLE H WIPER 25.4X33.4X5.0	25.4MM X 33.4MM X 5.0MM	\$11.48	EA
839 METRIC STYLE H WIPER 28X36X5.0	28MM X 36MM X 5.0MM	\$15.04	EA
839 METRIC STYLE H WIPER 30X38X5.0	30MM X 38MM X 5.0MM	\$9.87	EA
839 METRIC STYLE H WIPER 30X42X6.0	30MM X 42MM X 6.0MM	\$9.89	EA
839 METRIC STYLE H WIPER 32X40X5.0	32MM X 40MM X 5.0MM	\$12.34	EA
839 METRIC STYLE H WIPER 34.93X42.93X5.0	34.93MM X 42.93MM X 5.0MM	\$12.05	EA
839 METRIC STYLE H WIPER 36X44X5.0	36MM X 44MM X 5.0MM	\$15.27	EA
839 METRIC STYLE H WIPER 44X52X7.0	40MM X 52MM X 7.0MM	\$12.81	EA
839 METRIC STYLE H WIPER 44.45X52.45X5.0	44.45MM X 52.45MM X 5.0MM	\$16.10	EA
839 METRIC STYLE H WIPER 45X53X5.0	45MM X 53MM X 5.0MM	\$15.73	EA
839 METRIC STYLE H WIPER 50X58X5.0	50MM X 58MM X 5.0MM	\$18.54	EA
839 METRIC STYLE H WIPER 50X62X7.0	50MM X 62MM X 7.0MM	\$33.58	EA
839 METRIC STYLE H WIPER 53X58X5.0	53MM X 58MM X 5.0MM	POR	EA
839 METRIC STYLE H WIPER 55X65X6.0	55MM X 65MM X 6.0MM	\$17.05	EA
839 METRIC STYLE H WIPER 56X64X5.8	56MM X 64MM X 5.8MM	\$11.39	EA
839 METRIC STYLE H WIPER 56X66X6.0	56MM X 66MM X 6.0MM	\$16.76	EA
839 METRIC STYLE H WIPER 63.5X73.5X6.0	63.5MM X 73.5MM X 6.0MM	\$17.34	EA
839 METRIC STYLE H WIPER 65X75X6.0	65MM X 75MM X 6.0MM	\$18.20	EA

Precision Seals, Inc.
820 Honeysuckle Drive
Fultondale, AL 35068

SALES OFFICE HOURS
7 A.M. TO 5 P.M. CST
www.precisionseals.com

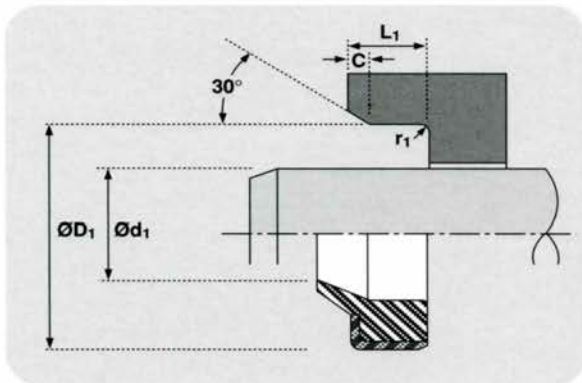
PHONE 205-631-7006
FAX 205-631-7032
TOLL FREE 800-233-8585

Wipers

TECHNICAL DETAILS		METRIC	INCH
OPERATING CONDITIONS			
MAXIMUM SPEED	1.0 m/sec	3.0 ft/sec	
MAXIMUM TEMPERATURE	-40°C +100°C	-40°F +212°F	
SURFACE ROUGHNESS			
DYNAMIC SEALING FACE $\varnothing d_1$	μmRa 0.1 ↔ 0.4	μmRt 4 max	μinCLA 4 ↔ 16 μinRMS 5 ↔ 18
STATIC SEALING FACE $\varnothing D_1$	1.6 max	10 max	63 max 70 max
STATIC HOUSING FACES L_1	3.2 max	16 max	125 max 140 max
CHAMFERS & RADII			
ROD DIAMETER $\varnothing d_1$ mm	≤ 19	> 19	
MIN CHAMFER C mm	0.5	1.0	
MAX FILLET RAD r_1 mm	0.4	0.4	
ROD DIAMETER $\varnothing d_1$ in	< 0.75	≥ 0.75	
MIN CHAMFER C in	0.020	0.040	
MAX FILLET RAD r_1 in	0.016	0.016	
TOLERANCES			
$\varnothing d_1$	$\varnothing D_1$	L_1 mm	L_1 in
f9	H8	+0.5 -0	+0.020 -0



860



DESIGN

The Hallite 860 is a metal cased wiper, designed to press-fit into open groove housings. Hallite's 860 wiper comprises a precisely trimmed polyurethane wiping element which is securely bonded to a metal case treated with a rust inhibitor. Capable of operating in dirty conditions, the proportions of the polyurethane wiping lip allow it to follow the side movement of the rod and to clear away heavily deposited dirt.

Suitable for light, medium and heavy duty applications, the wiper has been designed to provide ease of installation and offers excellent durability in service. The Hallite 860 offers a range of sizes suitable for ISO 6195 type B housings and a range for standard Asian housings.

FEATURES

- EASE OF ASSEMBLY
- LONG LIFE
- PRECISION TRIMMED WIPING LIP
- METAL CASE TREATED WITH A RUST INHIBITOR
- WIDE RANGE OF APPLICATION USES
- RANGE INCLUDES ISO & STANDARD ASIAN HOUSINGS.

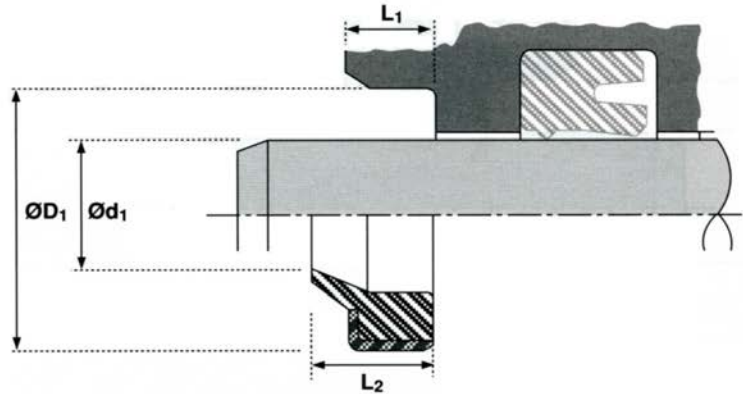
NB: Part numbers suffixed by "†" are designed for Asian housings.

Part numbers suffixed by "‡" indicate housing sizes to meet ISO 6195 type B.

Wipers

860

metric



T860 METAL CLAD WIPER

ITEM DESCRIPTION	ID X OD X HT DIMENSIONS	SALES PRICE	UOM
860 METRIC MCW 10X16X3.0	10MM X 16MM X 6.0MM	\$4.36	EA
860 METRIC MCW 15X25X5.0	15MM X 25MM X 5.0MM	\$4.36	EA
860 METRIC MCW 16X22X3.0	16MM X 22MM X 3.0MM	\$4.62	EA
860 METRIC MCW 18X28X5.0	18MM X 28MM X 5.0MM	\$4.64	EA
860 METRIC MCW 20X30X5.0	20MM X 30MM X 5.0MM	\$5.32	EA
860 METRIC MCW 22X28X5.0	22MM X 28MM X 5.0MM	\$5.55	EA
860 METRIC MCW 22X32X7.0	22MM X 32MM X 7.0MM	\$5.54	EA
860 METRIC MCW 25X35X5.0	25MM X 35MM X 5.0MM	\$5.54	EA
860 METRIC MCW 25X36X7.0	25MM X 36MM X 7.0MM	\$5.52	EA
860 METRIC MCW 25X37X6.0	25MM X 37MM X 6.0MM	\$5.61	EA
860 METRIC MCW 28X38X5.0	28MM X 38MM X 5.0MM	\$5.74	EA
860 METRIC MCW 28X40X6.0	28MM X 40MM X 6.0MM	\$5.80	EA
860 METRIC MCW 30X40X5.0	30MM X 40MM X 5.0MM	\$5.83	EA
860 METRIC MCW 30X42X6.0	30MM X 42MM X 6.0MM	\$5.96	EA
860 METRIC MCW 30X47X7.0	30MM X 47MM X 7.0MM	\$7.76	EA
860 METRIC MCW 32X42X5.0	32MM X 42MM X 5.0MM	\$6.04	EA
860 METRIC MCW 32X52X8.0	32MM X 52MM X 8.0MM	\$7.92	EA
860 METRIC MCW 35X45X7.0	35MM X 45MM X 7.0MM	\$6.24	EA
860 METRIC MCW 35X47X7.0	35MM X 47MM X 7.0MM	\$6.44	EA
860 METRIC MCW 36X48X7.0	36MM X 48MM X 7.0MM	\$8.56	EA
860 METRIC MCW 40X50X7.0	40MM X 50MM X 7.0MM	\$6.51	EA
860 METRIC MCW 40X52X7.0	40MM X 52MM X 7.0MM	\$6.73	EA

T860 METAL CLAD WIPER

ITEM DESCRIPTION	ID X OD X HT DIMENSIONS	SALES PRICE	UOM
860 METRIC MCW 45X55X7.0	45MM X 55MM X 7.0MM	\$7.09	EA
860 METRIC MCW 45X57X7.0	45MM X 57MM X 7.0MM	\$7.25	EA
860 METRIC MCW 50X60X7.0	50MM X 60MM X 7.0MM	\$7.59	EA
860 METRIC MCW 50X62X7.0	50MM X 62MM X 7.0MM	\$7.71	EA
860 METRIC MCW 50X65X6.0	50MM X 65MM X 6.0MM	\$8.01	EA
860 METRIC MCW 50X72X8.0	50MM X 72MM X 8.0MM	\$12.12	EA
860 METRIC MCW 55X65X7.0	55MM X 65MM X 7.0MM	\$8.42	EA
860 METRIC MCW 55X69X8.0	55MM X 69MM X 8.0MM	\$8.93	EA
860 METRIC MCW 56X66X7.0	56MM X 66MM X 7.0MM	\$9.17	EA
860 METRIC MCW 56X68X7.0	56MM X 68MM X 7.0MM	\$22.58	EA
860 METRIC MCW 56X71X9.0	56MM X 71MM X 9.0MM	\$18.10	EA
860 METRIC MCW 60X70X7.0	60MM X 70MM X 7.0MM	\$9.09	EA
860 METRIC MCW 60X74X8.0	60MM X 74MM X 8.0MM	\$9.33	EA
860 METRIC MCW 60X82X11.0	60MM X 82MM X 11.0MM	\$14.60	EA
860 METRIC MCW 63X75X7.0	63MM X 75MM X 7.0MM	\$9.42	EA
860 METRIC MCW 63X77X8.0	63MM X 77MM X 8.0MM	\$13.32	EA
860 METRIC MCW 63X78X9.0	63MM X 78MM X 9.0MM	\$9.59	EA
860 METRIC MCW 65X75X7.0	65MM X 75MM X 7.0MM	\$9.69	EA
860 METRIC MCW 65X79X8.0	65MM X 79MM X 8.0MM	\$9.96	EA
860 METRIC MCW 70X80X7.0	70MM X 80MM X 7.0MM	\$10.41	EA
860 METRIC MCW 70X84X8.0	70MM X 84MM X 8.0MM	\$10.59	EA
860 METRIC MCW 75X85X7.0	75MM X 85MM X 7.0MM	\$10.92	EA
860 METRIC MCW 75X89X8.0	75MM X 89MM X 8.0MM	\$11.26	EA
860 METRIC MCW 80X90X7.0	80MM X 90MM X 7.0MM	\$12.01	EA
860 METRIC MCW 80X94X8.0	80MM X 94MM X 8.0MM	\$12.27	EA
860 METRIC MCW 85X95X7.0	85MM X 95MM X 7.0MM	\$12.52	EA
860 METRIC MCW 85X99X8.0	85MM X 99MM X 8.0MM	\$12.73	EA
860 METRIC MCW 90X100X7.0	90MM X 100MM X 7.0MM	\$13.54	EA
860 METRIC MCW 90X104X8.0	90MM X 104MM X 8.0MM	\$13.80	EA
860 METRIC MCW 95X109X8.0	95MM X 109MM X 8.0MM	\$15.56	EA
860 METRIC MCW 100X110X7.0	100MM X 110MM X 7.0MM	\$16.17	EA
860 METRIC MCW 100X114X8.0	100MM X 114MM X 8.0MM	\$16.50	EA

280

Precision Seals, Inc.
820 Honeysuckle Drive
Fultondale, AL 35068

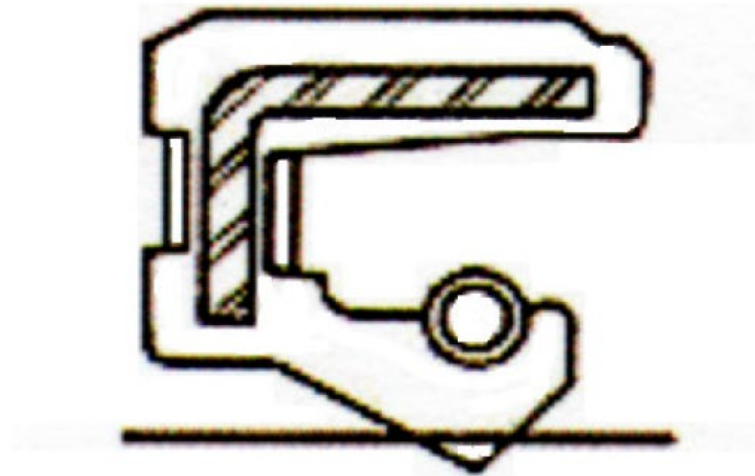
SALES OFFICE HOURS
7 A.M. TO 5 P.M. CST
www.precisionseals.com

PHONE 205-631-7006
FAX 205-631-7032
TOLL FREE 800-233-8585

T860 METAL CLAD WIPER

ITEM DESCRIPTION	ID X OD X HT DIMENSIONS	SALES PRICE	UOM
<i>860 METRIC MCW 105X115X7.0</i>	105MM X 115MM X 7.0MM	\$15.78	EA
<i>860 METRIC MCW 105X121X9.0</i>	105MM X 121MM X 9.0MM	\$17.48	EA
<i>860 METRIC MCW 110X120X7.0</i>	110MM X 120MM X 7.0MM	\$19.77	EA
<i>860 METRIC MCW 110X126X9.0</i>	110MM X 126MM X 9.0MM	\$19.77	EA
<i>860 METRIC MCW 115X131X9.0</i>	115MM X 131MM X 9.0MM	\$22.16	EA
<i>860 METRIC MCW 120X130X7.0</i>	120MM X 130MM X 7.0MM	\$24.55	EA
<i>860 METRIC MCW 120X136X9.0</i>	120MM X 136MM X 9.0MM	\$34.01	EA
<i>860 METRIC MCW 125X140X9.0</i>	125MM X 140MM X 9.0MM	\$34.03	EA
<i>860 METRIC MCW 130X146X9.0</i>	130MM X 146MM X 9.0MM	\$29.34	EA
<i>860 METRIC MCW 135X155X10.0</i>	135MM X 155MM X 10.0MM	\$33.64	EA
<i>860 METRIC MCW 140X160X10.0</i>	140MM X 160MM X 10.0MM	\$34.01	EA
<i>860 METRIC MCW 150X170X10.0</i>	150MM X 170MM X 10.0MM	\$38.79	EA
<i>860 METRIC MCW 160X180X10.0</i>	160MM X 180MM X 10.0MM	\$43.44	EA

Metric Oil Seals



Type A Single Lip-Rubber Coated w/Spring

TECHNICAL DETAILS

DIN: 3760 Standard.

Other known types: SC, BA, WA, DG, CB, HMS4, Type 35, Model 92, 1

Common Materials: NBR, VITON, Silicone, EPDM, Polyacrylate, Neo

Spring make: Carbon Steel – Stainless Available.

Pressure Rating: Max 7 psi.

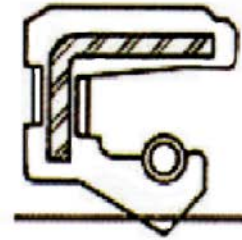
Mounting: Press-fit.

Comments: Common grease seal type. Rotary Motion Only. Generally for sealing lower pressure (up to 0.5 bar/7psi) fluids or heavy greases depending on shaft speed. If a backup ring is used, it can operate at r pressure (4 bar/57psi).

Oil Seals

Type A Single Lip

metric



METRIC OIL SEALS			
ITEM DESCRIPTION	ID X OD X HT DIMENSIONS	SALES PRICE	UOM
<i>METRIC OIL SEAL 5.0X15X6.0</i>	5.0MM X 15MM X 6.0MM	\$4.66	EA
<i>METRIC OIL SEAL 7.0X22X7.0</i>	7.0MM X 22MM X 7.0MM	\$3.81	EA
<i>METRIC OIL SEAL 8.0X14X4.0</i>	8.0MM X 14MM X 4.0MM	\$4.79	EA
<i>METRIC OIL SEAL 8.0X15X5.0</i>	8.0MM X 15MM X 5.0MM	\$4.31	EA
<i>METRIC OIL SEAL 8.0X16X7.0</i>	8.0MM X 16MM X 7.0MM	\$4.59	EA
<i>METRIC OIL SEAL 8.0X18X5.0</i>	8.0MM X 18MM X 5.0MM	\$4.61	EA
<i>METRIC OIL SEAL 8.0X20X5.0</i>	8.0MM X 20MM X 5.0MM	\$4.71	EA
<i>METRIC OIL SEAL 8.0X25X8.0</i>	8.0MM X 25MM X 8.0MM	\$4.74	EA
<i>METRIC OIL SEAL 10X19X7.0</i>	10MM X 19MM X 7.0MM	\$4.61	EA
<i>METRIC OIL SEAL 10X20X7.0</i>	10MM X 20MM X 7.0MM	\$4.61	EA
<i>METRIC OIL SEAL 10X22X7.0</i>	10MM X 22MM X 7.0MM	\$4.71	EA
<i>METRIC OIL SEAL 10X24X7.0</i>	10MM X 24MM X 7.0MM	\$4.66	EA
<i>METRIC OIL SEAL 10X25X7.0</i>	10MM X 25MM X 7.0MM	\$4.79	EA
<i>METRIC OIL SEAL 10X30X7.0</i>	10MM X 30MM X 7.0MM	\$4.81	EA
<i>METRIC OIL SEAL 11X17X4.0</i>	11MM X 17MM X 4.0MM	\$4.66	EA
<i>METRIC OIL SEAL 12X19X7.0</i>	12MM X 19MM X 7.0MM	\$4.66	EA
<i>METRIC OIL SEAL 12X20X4.0</i>	12MM X 20MM X 4.0MM	\$4.61	EA
<i>METRIC OIL SEAL 12X22X7.0</i>	12MM X 22MM X 7.0MM	\$4.71	EA
<i>METRIC OIL SEAL 12X24X7.0</i>	12MM X 24MM X 7.0MM	\$4.66	EA
<i>METRIC OIL SEAL 12X26X7.0</i>	12MM X 26MM X 7.0MM	\$4.79	EA
<i>METRIC OIL SEAL 12X28X7.0</i>	12MM X 28MM X 7.0MM	\$4.74	EA

METRIC OIL SEALS

ITEM DESCRIPTION	ID X OD X HT DIMENSIONS	SALES PRICE	UOM
METRIC OIL SEAL 13X22X7.0	13MM X 22MM X 7.0MM	\$6.74	EA
METRIC OIL SEAL 14X22X4.0	14MM X 22MM X 4.0MM	\$4.71	EA
METRIC OIL SEAL 14X24X6.0	14MM X 24MM X 6.0MM	\$4.71	EA
METRIC OIL SEAL 14X25X5.0	14MM X 25MM X 5.0MM	\$7.52	EA
METRIC OIL SEAL 14X28X7.0	14MM X 28MM X 7.0MM	\$3.11	EA
METRIC OIL SEAL 15X25X7.0	15MM X 25MM X 7.0MM	\$4.71	EA
METRIC OIL SEAL 15X28X7.0	15MM X 28MM X 7.0MM	\$6.72	EA
METRIC OIL SEAL 15X30X7.0	15MM X 30MM X 7.0MM	\$6.72	EA
METRIC OIL SEAL 16X26X6.0	16MM X 26MM X 6.0MM	\$5.77	EA
METRIC OIL SEAL 16X28X7.0	16MM X 28MM X 7.0MM	\$6.72	EA
METRIC OIL SEAL 16X28X7.0 VTC	16MM X 28MM X 7.0MM VTC	\$63.51	EA
METRIC OIL SEAL 16X30X7.0	16MM X 30MM X 7.0MM	\$6.64	EA
METRIC OIL SEAL 16X35X7.0	16MM X 35MM X 7.0MM	\$7.42	EA
METRIC OIL SEAL 17X28X7.0	17MM X 28MM X 7.0MM	\$6.72	EA
METRIC OIL SEAL 17X30X7.0	17MM X 30MM X 7.0MM	\$6.72	EA
METRIC OIL SEAL 17X35X8.0	17MM X 35MM X 8.0MM	\$7.42	EA
METRIC OIL SEAL 17X38X7.0	17MM X 38MM X 7.0MM	\$7.97	EA
METRIC OIL SEAL 17X40X5.0	17MM X 40MM X 5.0MM	\$7.97	EA
METRIC OIL SEAL 17X47X7.0	17MM X 47MM X 7.0MM	\$8.72	EA
METRIC OIL SEAL 18X28X7.0	18MM X 28MM X 7.0MM	\$6.72	EA
METRIC OIL SEAL 18X30X7.0	18MM X 30MM X 7.0MM	\$6.72	EA
METRIC OIL SEAL 18X32X7.0	18MM X 32MM X 7.0MM	\$7.42	EA
METRIC OIL SEAL 18X35X7.0	18MM X 35MM X 7.0MM	\$7.42	EA
METRIC OIL SEAL 18X38X10.0	18MM X 38MM X 10.0MM	\$7.97	EA
METRIC OIL SEAL 18X40X7.0	18MM X 40MM X 7.0MM	\$7.97	EA
METRIC OIL SEAL 18X40X7.0 VTC	18MM X 40MM X 7.0MM VTC	\$39.81	EA
METRIC OIL SEAL 19X29X7.0	19MM X 29MM X 7.0MM	\$6.72	EA
METRIC OIL SEAL 19X30X7.0	19MM X 30MM X 7.0MM	\$6.72	EA
METRIC OIL SEAL 19X34X7.0	19MM X 34MM X 7.0MM	\$7.42	EA
METRIC OIL SEAL 19X35X7.0	19MM X 35MM X 7.0MM	\$7.42	EA
METRIC OIL SEAL 19X37X7.0	19MM X 37MM X 7.0MM	\$7.97	EA

METRIC OIL SEALS

ITEM DESCRIPTION	ID X OD X HT DIMENSIONS	SALES PRICE	UOM
METRIC OIL SEAL 20X30X7.0	20MM X 30MM X 7.0MM	\$6.72	EA
METRIC OIL SEAL 20X32X7.0	20MM X 32MM X 7.0MM	\$6.67	EA
METRIC OIL SEAL 20X33X5.0	20MM X 33MM X 5.0MM	\$6.72	EA
METRIC OIL SEAL 20X34X7.0	20MM X 34MM X 7.0MM	\$6.72	EA
METRIC OIL SEAL 20X35X6.0	20MM X 35MM X 6.0MM	\$6.72	EA
METRIC OIL SEAL 20X35X7.0	20MM X 35MM X 7.0MM	\$6.72	EA
METRIC OIL SEAL 20X35X8.0	20MM X 35MM X 8.0MM	\$6.72	EA
METRIC OIL SEAL 20X36X7.0	20MM X 36MM X 7.0MM	\$7.97	EA
METRIC OIL SEAL 20X38X8.0	20MM X 38MM X 8.0MM	\$7.97	EA
METRIC OIL SEAL 20X40X7.0	20MM X 40MM X 7.0MM	\$7.97	EA
METRIC OIL SEAL 20X40X10.0	20MM X 40MM X 10.0MM	\$7.97	EA
METRIC OIL SEAL 20X42X7.0	20MM X 42MM X 7.0MM	\$8.42	EA
METRIC OIL SEAL 20X45X7.0	20MM X 45MM X 7.0MM	\$8.42	EA
METRIC OIL SEAL 20X47X7.0	20MM X 47MM X 7.0MM	\$8.72	EA
METRIC OIL SEAL 22X32X7.0	22MM X 32MM X 7.0MM	\$7.42	EA
METRIC OIL SEAL 22X35X5.0	22MM X 35MM X 5.0MM	\$7.42	EA
METRIC OIL SEAL 22X35X8.0	22MM X 35MM X 8.0MM	\$7.42	EA
METRIC OIL SEAL 22X36X7.0	22MM X 36MM X 7.0MM	\$7.97	EA
METRIC OIL SEAL 22X40X7.0	22MM X 40MM X 7.0MM	\$7.97	EA
METRIC OIL SEAL 22X42X7.0	22MM X 42MM X 7.0MM	\$8.42	EA
METRIC OIL SEAL 22X52X10.0	22MM X 52MM X 10.0MM	\$9.33	EA
METRIC OIL SEAL 23X34X8.0	23MM X 34MM X 8.0MM	\$7.42	EA
METRIC OIL SEAL 23X35X7.0	23MM X 35MM X 7.0MM	\$7.42	EA
METRIC OIL SEAL 24X35X7.0	24MM X 35MM X 7.0MM	\$7.42	EA
METRIC OIL SEAL 24X36X7.0	24MM X 36MM X 7.0MM	\$7.97	EA
METRIC OIL SEAL 24X40X7.0	24MM X 40MM X 7.0MM	\$7.97	EA
METRIC OIL SEAL 25X35X6.0	25MM X 35MM X 6.0MM	\$7.42	EA
METRIC OIL SEAL 25X35X6.0 VTC	25MM X 35MM X 6.0MM VTC	\$31.64	EA
METRIC OIL SEAL 25X35X7.0	25MM X 35MM X 7.0MM	\$7.42	EA
METRIC OIL SEAL 25X35X8.0	25MM X 35MM X 8.0MM	\$7.42	EA
METRIC OIL SEAL 25X36X7.0	25MM X 36MM X 7.0MM	\$7.97	EA

METRIC OIL SEALS

ITEM DESCRIPTION	ID X OD X HT DIMENSIONS	SALES PRICE	UOM
METRIC OIL SEAL 25X38X7.0	25MM X 38MM X 7.0MM	\$7.97	EA
METRIC OIL SEAL 25X38X8.0	25MM X 38MM X 8.0MM	\$7.97	EA
METRIC OIL SEAL 25X40X5.0	25MM X 40MM X 5.0MM	\$7.97	EA
METRIC OIL SEAL 25X40X7.0	25MM X 40MM X 7.0MM	\$7.97	EA
METRIC OIL SEAL 25X40X8.0	25MM X 40MM X 8.0MM	\$7.97	EA
METRIC OIL SEAL 25X42X6.0	25MM X 42MM X 6.0MM	\$7.22	EA
METRIC OIL SEAL 25X43X8.0	25MM X 43MM X 8.0MM	\$7.22	EA
METRIC OIL SEAL 25X44X7.0	25MM X 44MM X 7.0MM	\$8.42	EA
METRIC OIL SEAL 25X47X7.0	25MM X 47MM X 7.0MM	\$8.72	EA
METRIC OIL SEAL 25X48X8.0	25MM X 48MM X 8.0MM	\$8.72	EA
METRIC OIL SEAL 25X52X7.0	25MM X 52MM X 7.0MM	\$9.33	EA
METRIC OIL SEAL 26X35X7.0	26MM X 35MM X 7.0MM	\$7.42	EA
METRIC OIL SEAL 26X37X7.0	26MM X 37MM X 7.0MM	\$7.97	EA
METRIC OIL SEAL 26X38X8.0	26MM X 38MM X 8.0MM	\$7.97	EA
METRIC OIL SEAL 26X40X7.0	26MM X 40MM X 7.0MM	\$7.97	EA
METRIC OIL SEAL 27X38X7.0	27MM X 38MM X 7.0MM	\$7.97	EA
METRIC OIL SEAL 27X43X8.0	27MM X 43MM X 8.0MM	\$8.42	EA
METRIC OIL SEAL 28X35X5.0	28MM X 35MM X 5.0MM	\$7.42	EA
METRIC OIL SEAL 28X37X6.0	28MM X 37MM X 6.0MM	\$7.97	EA
METRIC OIL SEAL 28X38X7.0	28MM X 38MM X 7.0MM	\$7.97	EA
METRIC OIL SEAL 28X40X7.0	28MM X 40MM X 7.0MM	\$7.97	EA
METRIC OIL SEAL 28X42X7.0	28MM X 42MM X 7.0MM	\$8.42	EA
METRIC OIL SEAL 28X47X7.0	28MM X 47MM X 7.0MM	\$8.72	EA
METRIC OIL SEAL 28X47X8.0	28MM X 47MM X 8.0MM	\$8.72	
METRIC OIL SEAL 28X48X8.0	28MM X 48MM X 8.0MM	\$8.72	EA
METRIC OIL SEAL 28X50X8.0	28MM X 50MM X 8.0MM	\$7.52	EA
METRIC OIL SEAL 30X40X7.0	30MM X 40MM X 7.0MM	\$7.97	EA
METRIC OIL SEAL 30X42X7.0	30MM X 42MM X 7.0MM	\$8.42	EA
METRIC OIL SEAL 30X43X8.0	30MM X 43MM X 8.0MM	\$8.42	EA
METRIC OIL SEAL 30X45X8.0	30MM X 45MM X 8.0MM	\$8.42	EA
METRIC OIL SEAL 30X47X7.0	30MM X 47MM X 7.0MM	\$8.72	EA
METRIC OIL SEAL 30X55X7.0	30MM X 55MM X 7.0MM	\$9.30	EA
METRIC OIL SEAL 31X44X7.0	31MM X 44MM X 7.0MM	\$9.33	EA

286

SALES OFFICE HOURS

Precision Seals, Inc.
820 Honeysuckle Drive
Fultondale, AL 35068

7 A.M. TO 5 P.M. CST
www.precisionseals.com

PHONE 205-631-7006
FAX 205-631-7032
TOLL FREE 800-233-8585

METRIC OIL SEALS

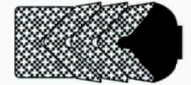
ITEM DESCRIPTION	ID X OD X HT DIMENSIONS	SALES PRICE	UOM
METRIC OIL SEAL 35X45X7.0	35MM X 45MM X 7.0MM	\$8.42	EA
METRIC OIL SEAL 35X50X7.0	35MM X 50MM X 7.0MM	\$8.72	EA
METRIC OIL SEAL 35X52X8.0	35MM X 52MM X 8.0MM	\$9.33	EA
METRIC OIL SEAL 36.5X50.6X8.0	36.5MM X 50.6MM X 8.0MM	\$11.78	EA
METRIC OIL SEAL 38X52X7.0	38MM X 52MM X 7.0MM	\$9.33	EA
METRIC OIL SEAL 40X50X8.0	40MM X 50MM X 8.0MM	\$8.72	EA
METRIC OIL SEAL 40X52X7.0	40MM X 52MM X 7.0MM	\$9.33	EA
METRIC OIL SEAL 40X55X7.0	40MM X 55MM X 7.0MM	\$9.33	EA
METRIC OIL SEAL 42X52X8.0	42MM X 52MM X 8.0MM	\$9.33	EA
METRIC OIL SEAL 42X62X8.0	42MM X 62MM X 8.0MM	\$10.33	EA
METRIC OIL SEAL 45X58X7.0	45MM X 58MM X 7.0MM	\$9.88	EA
METRIC OIL SEAL 45X60X7.0	45MM X 60MM X 7.0MM	\$9.88	EA
METRIC OIL SEAL 45X62X7.0	45MM X 62MM X 7.0MM	\$10.33	EA
METRIC OIL SEAL 45X65X7.0	45MM X 65MM X 7.0MM	\$10.33	EA
METRIC OIL SEAL 46X65X9.0	46MM X 65MM X 9.0MM	\$10.33	EA
METRIC OIL SEAL 48X70X10.0	48MM X 70MM X 10.0MM	\$10.93	EA
METRIC OIL SEAL 50X60X8.0	50MM X 60MM X 8.0MM	\$9.88	EA
METRIC OIL SEAL 50X62X7.0	50MM X 62MM X 7.0MM	\$10.33	EA
METRIC OIL SEAL 50X65X6.0	50MM X 65MM X 6.0MM	\$8.97	EA
METRIC OIL SEAL 50X65X8.0	50MM X 65MM X 8.0MM	\$10.33	EA
METRIC OIL SEAL 50X70X10.0	50MM X 70MM X 10.0MM	\$11.18	EA
METRIC OIL SEAL 50X80X8.0	50MM X 80MM X 8.0MM	\$13.49	EA
METRIC OIL SEAL 55X68X8.0	55MM X 68MM X 8.0MM	\$11.18	EA
METRIC OIL SEAL 55X72X8.0	55MM X 72MM X 8.0MM	\$12.23	EA
METRIC OIL SEAL 60X75X8.0	60MM X 75MM X 8.0MM	\$12.23	EA
METRIC OIL SEAL 60X78X9.0	60MM X 78MM X 9.0MM	\$11.68	EA
METRIC OIL SEAL 60X80X8.0	60MM X 80MM X 8.0MM	\$13.49	EA
METRIC OIL SEAL 60X80X9.0	60MM X 80MM X 9.0MM	\$13.49	EA
METRIC OIL SEAL 60X82X12.0	60MM X 82MM X 12.0MM	\$15.19	EA
METRIC OIL SEAL 60X85X10.0	60MM X 85MM X 10.0MM	\$15.19	EA
METRIC OIL SEAL 60X95X10.0	60MM X 95MM X 10.0MM	\$18.70	EA
METRIC OIL SEAL 70X95X12.0	70MM X 95MM X 12.0MM	\$19.85	EA
METRIC OIL SEAL 100X125X12.0	100MM X 125MM X 12.0MM	\$18.80	EA

Vee pack sets

TECHNICAL DETAILS

METRIC

INCH



OPERATING CONDITIONS

MAXIMUM SPEED
-30°C + 100°C
TEMPERATURE RANGE
700 bar
MAXIMUM PRESSURE

1.5 ft/sec
-22°F + 212°F
10,000 p.s.i.

MAXIMUM EXTRUSION GAP

PRESSURE bar
MAXIMUM GAP mm
PRESSURE p.s.i.
MAXIMUM GAP in

Figures show the maximum permissible gap all on one side using minimum rod \varnothing and maximum clearance \varnothing .

160	250	400	700
0.4	0.3	0.2	0.1
2400	3750	6000	10,000
0.016	0.012	0.008	0.004

SURFACE ROUGHNESS

DYNAMIC SEALING FACE $\varnothing d_1$
STATIC SEALING FACE $\varnothing D_1$
STATIC HOUSING FACES L_1

μmRa	μmRt	$\mu\text{in CLA}$	μinRMS
0.1 ↔ 0.4	4 max	4 ↔ 16	5 ↔ 18
1.6 max	10 max	63 max	70 max
3.2 max	16 max	125 max	140 max

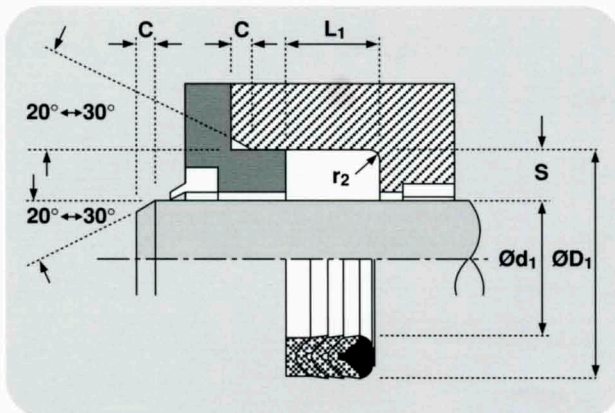
CHAMFERS & RADII

GROOVE SECTION $\leq S$ mm
MIN CHAMFER C mm
MAX FILLET RAD r_2 mm
GROOVE SECTION $\leq S$ in
MIN CHAMFER C in
MAX FILLET RAD r_2 in

7.5	10.0	12.5	15.0
4.0	5.0	6.5	7.5
0.8	0.8	0.8	1.6
0.250	0.312	0.375	0.500
0.125	0.156	0.187	0.250
0.031	0.031	0.031	0.031

TOLERANCES

$\varnothing d_1$	$\varnothing D_1$	L_1 mm	L_1 in
f9	Js11	+0.25 -0	+0.010 -0



FEATURES

- EFFECTIVE DRI-ROD SEAL UNDER BOTH LOW AND HIGH PRESSURE CONDITIONS
- PRECISION MOULDED VEE RINGS
- PRESSURE ACTIVATED
- NO ADJUSTMENT NECESSARY

DESIGN

The Hallite O7 is a multi lip rod seal, for medium to heavy duty applications, composed of a header ring, vee rings and a female adaptor.

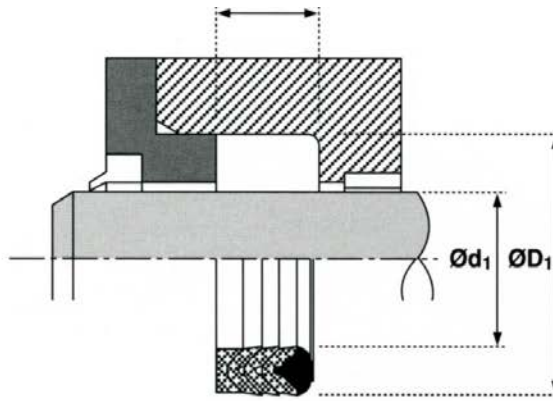
The header ring is the primary seal. It is a bonded construction of a rubberised fabric vee ring and rubber. When installed the section is pre-loaded to seal at low pressure but has the strength and durability of the fabric to operate at higher pressures. Rubberised fabric is also used for the vee rings. These provide secondary sealing as pressure acting on the header ring spreads the vee rings increasing the sealing area. The female adaptor provides the support and protection from extrusion damage. It is manufactured in either polyacetal or hard rubberised fabric. The assembly is a pressure activated packing that does not require any axial pre-load.

The range has a header ring, a female adaptor and 2 vee rings. Other sizes and constructions are available on request.

Vee pack sets

07

metric



TYPE 07 VEE PACKING

ITEM DESCRIPTION	ID X OD X HT DIMENSIONS	SALES PRICE	UOM
07 METRIC VEE PACKING 15X22X10.0	15MM X 22MM X 10.0MM	\$42.64	EA
07 METRIC VEE PACKING 20X32X18.5	20MM X 32MM X 18.5MM	\$42.24	EA
07 METRIC VEE PACKING 20X32X21.5	20MM X 32MM X 21.5MM	\$52.27	EA
07 METRIC VEE PACKING 25X37X19.0	25MM X 37MM X 19.0MM	\$54.05	EA
07 METRIC VEE PACKING 25X37X22.0	25MM X 37MM X 22.0MM	\$62.99	EA
07 METRIC VEE PACKING 25X40X22.5	25MM X 40MM X 22.5MM	\$38.02	EA
07 METRIC VEE PACKING 25X40X26.5	25MM X 40MM X 26.5MM	\$51.03	EA
07 METRIC VEE PACKING 30X45X26.47	30MM X 45MM X 26.47MM	\$50.78	EA
07 METRIC VEE PACKING 32X47X22.5	32MM X 47MM X 22.5MM	\$40.46	EA
07 METRIC VEE PACKING 32X47X26.5	32MM X 47MM X 26.5MM	\$58.12	EA
07 METRIC VEE PACKING 35X50X26.47	35MM X 50MM X 26.47MM	\$53.11	EA
07 METRIC VEE PACKING 36X51X23.0	36MM X 51MM X 23.0MM	\$58.38	EA
07 METRIC VEE PACKING 40X55X22.5	40MM X 55MM X 22.5MM	\$41.84	EA
07 METRIC VEE PACKING 40X55X26.47	40MM X 55MM X 26.47MM	\$50.78	EA
07 METRIC VEE PACKING 45X60X26.0	45MM X 60MM X 26.0MM	\$56.23	EA
07 METRIC VEE PACKING 50X63X20.0	50MM X 63MM X 20.0MM	\$37.73	EA
07 METRIC VEE PACKING 50X63X23.25	50MM X 63MM X 23.25MM	\$45.47	EA
07 METRIC VEE PACKING 50X65X24.3	50MM X 65MM X 24.3MM	\$33.26	EA
07 METRIC VEE PACKING 50X70X30.0	50MM X 70MM X 30.0MM	\$48.05	EA
07 METRIC VEE PACKING 50X70X35.0	50MM X 70MM X 35.0MM	\$57.98	EA
07 METRIC VEE PACKING 55X75X30.0	55MM X 75MM X 30.0MM	\$49.69	EA
07 METRIC VEE PACKING 55X75X35.0	55MM X 75MM X 35.0MM	\$65.72	EA
07 METRIC VEE PACKING 56X71X22.5	56MM X 71MM X 22.5MM	\$61.52	EA

TYPE 07 VEE PACKING

ITEM DESCRIPTION	ID X OD X HT DIMENSIONS	SALES PRICE	UOM
07 METRIC VEE PACKING 60X80X35.0	60MM X 80MM X 35.0MM	\$68.01	EA
07 METRIC VEE PACKING 63X83X35.0	63MM X 83MM X 35.0MM	\$51.32	EA
07 METRIC VEE PACKING 65X85X35.0	65MM X 85MM X 35.0MM	\$70.63	EA
07 METRIC VEE PACKING 65X85X40.0	65MM X 85MM X 40.0MM	\$81.75	EA
07 METRIC VEE PACKING 70X85X22.5	70MM X 85MM X 22.5MM	\$54.50	EA
07 METRIC VEE PACKING 70X85X28.0	70MM X 85MM X 28.0MM	\$46.16	EA
07 METRIC VEE PACKING 70X90X30.0	70MM X 90MM X 30.0MM	\$54.45	EA
07 METRIC VEE PACKING 70X90X35.0	70MM X 90MM X 35.0MM	\$65.57	EA
07 METRIC VEE PACKING 80X100X30.0	80MM X 100MM X 30.0MM	\$58.23	EA
07 METRIC VEE PACKING 80X100X35.0	80MM X 100MM X 35.0MM	\$70.04	EA
07 METRIC VEE PACKING 81X97X23.0	81MM X 97MM X 23.0MM	\$47.11	EA
07 METRIC VEE PACKING 85X105X35.0	85MM X 105MM X 35.0MM	\$73.32	EA
07 METRIC VEE PACKING 90X110X30.0	90MM X 110MM X 30.0MM	\$57.91	EA
07 METRIC VEE PACKING 90X110X35.0	90MM X 110MM X 35.0MM	\$77.93	EA
07 METRIC VEE PACKING 100X120X30.0	100MM X 120MM X 30.0MM	\$52.87	EA
07 METRIC VEE PACKING 105X125X35.0	105MM X 125MM X 35.0MM	\$109.99	EA
07 METRIC VEE PACKING 110X130X35.0	110MM X 130MM X 35.0MM	\$52.42	EA
07 METRIC VEE PACKING 113X129X24.0	113MM X 129MM X 24.0MM	\$84.33	EA
07 METRIC VEE PACKING 125X140X26.5	125MM X 140MM X 26.5MM	\$68.59	EA
07 METRIC VEE PACKING 125X150X43.0	125MM X 150MM X 43.0MM	\$101.16	EA
07 METRIC VEE PACKING 131X147X24.0	131MM X 147MM X 24.0MM	\$97.34	EA
07 METRIC VEE PACKING 140X160X35.0	140MM X 160MM X 35.0MM	\$152.63	EA
07 METRIC VEE PACKING 150X170X35.0	150MM X 170MM X 35.0MM	\$240.19	EA
07 METRIC VEE PACKING 152X168X24.0	152MM X 168MM X 24.0MM	\$151.94	EA
07 METRIC VEE PACKING 175X191X24.0	175MM X 191MM X 24.0MM	\$134.42	EA
07 METRIC VEE PACKING 180X210X54.5	180MM X 210MM X 54.5MM	\$314.20	EA
07 METRIC VEE PACKING 280X310X52.5	280MM X 310MM X 52.5MM	\$613.97	EA

***HIGH QUALITY SEALS
WITH
SAME DAY SHIPPING***

Vee pack sets

TECHNICAL DETAILS	
OPERATING CONDITIONS	
MAXIMUM SPEED	0.5 m/sec
TEMPERATURE RANGE	-30°C + 100°C
MAXIMUM PRESSURE	700 bar
MAXIMUM EXTRUSION GAP	
PRESSURE bar	160 250 400 700
MAXIMUM GAP mm	0.4 0.3 0.2 0.1
PRESSURE p.s.i.	2400 3750 6000 10,000
SURFACE ROUGHNESS	
DYNAMIC SEALING FACE $\varnothing d_1$	μmRa 0.1 ↔ 0.4
STATIC SEALING FACE $\varnothing D_1$	μmRt 4 max
STATIC HOUSING FACES L_1	μinCLA 4 ↔ 16
	μinRMS 5 ↔ 18
	1.6 max 10 max 63 max 70 max
	3.2 max 16 max 125 max 140 max
CHAMFERS & RADII	
GROOVE SECTION $\leq S$ mm	6.0 7.5 10.0 12.5 15.0 20.0
MIN CHAMFER C mm	3.0 4.0 5.0 6.5 7.5 10.0
MAX FILLET RAD r_2 mm	0.4 0.4 1.2 1.6 1.6 1.6
TOLERANCES	
$\varnothing d_1$	$\varnothing D_1$ L_1 mm
f9	H11 +0.2 -0

METRIC

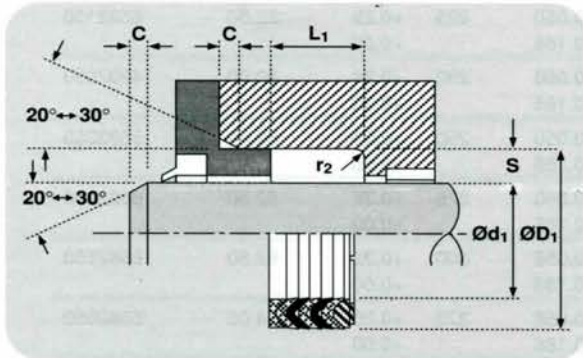
INCH



13

Figures show the maximum permissible gap all on one side using minimum rod \varnothing and maximum clearance \varnothing .

μmRa	μmRt	μinCLA	μinRMS
0.1 ↔ 0.4	4 max	4 ↔ 16	5 ↔ 18
1.6 max	10 max	63 max	70 max
3.2 max	16 max	125 max	140 max



FEATURES

- PRECISION MOULDED VEE RINGS
- PRESSURE DISTRIBUTION ADAPTORS
- RELIABLE SEALING

DESIGN

The Hallite 13 is a Vee pack rod seal for heavy duty applications offering excellent performance and long life even under difficult operating conditions such as pressure surges, vibration and some misalignment. The seal assembly consists a male and female adaptor and 5 vee rings.

The male adaptor is usually manufactured from polyacetal but some of the larger sizes use rubberised fabric. It has grooves across one face to ensure equal pressure to the sealing edges of the vee ring.

All sizes have vee rings manufactured from rubberised fabric because this has strength and durability and permits an oil film to lubricate the other parts of the seal. Some sizes are supplied with rubber vee rings between the rubberised fabric vee rings. The number and type of vee rings used are :

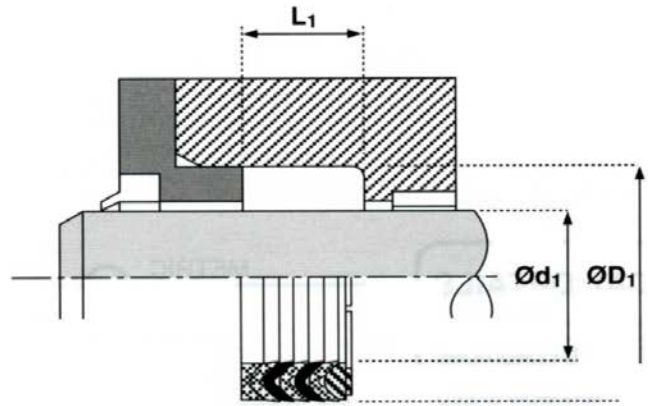
	Up to 89 mm \varnothing	90 mm \varnothing to 139 mm \varnothing	Above 139 mm \varnothing
Rubberised Fabric vee's	3	4	5
Rubber vee's	2	1	

The female adaptor uses a hard rubberised fabric to support the vee rings and protect them from extrusion damage. At high pressures the lips of the adaptor act as a secondary seal.

Vee pack sets

13

metric



TYPE 13 VEE PACKING

ITEM DESCRIPTION	ID X OD X HT DIMENSIONS	SALES PRICE	UOM
13 METRIC VEE PACKING 20X32X22.50	20MM X 32MM X 22.50MM	\$45.87	EA
13 METRIC VEE PACKING 25X40X22.50	25MM X 40MM X 22.50MM	\$52.22	EA
13 METRIC VEE PACKING 30X45X22.50	30MM X 45MM X 22.50MM	\$41.51	EA
13 METRIC VEE PACKING 35X50X11.50	35MM X 50MM X 11.50MM	\$24.17	EA
13 METRIC VEE PACKING 35X50X22.50	35MM X 50MM X 22.50MM	\$54.67	EA
13 METRIC VEE PACKING 36X48X22.50	36MM X 48MM X 22.50MM	\$39.63	EA
13 METRIC VEE PACKING 40X55X22.50	40MM X 55MM X 22.50MM	\$50.25	EA
13 METRIC VEE PACKING 45X60X22.50	45MM X 60MM X 22.50MM	\$95.04	EA
13 METRIC VEE PACKING 45X65X27.50	45MM X 65MM X 27.50MM	\$60.90	EA
13 METRIC VEE PACKING 48X63X22.50	48MM X 63MM X 25.50MM	\$60.90	EA
13 METRIC VEE PACKING 50X65X22.50	50MM X 65MM X 22.50MM	\$49.72	EA
13 METRIC VEE PACKING 50X70X30.00	50MM X 70MM X 30.00MM	\$66.18	EA
13 METRIC VEE PACKING 55X75X30.00	55MM X 75MM X 30.00MM	\$65.33	EA
13 METRIC VEE PACKING 60X80X37.00	60MM X 80MM X 37.00MM	\$86.28	EA
13 METRIC VEE PACKING 65X85X40.00	65MM X 85MM X 40.00MM	\$77.16	EA
13 METRIC VEE PACKING 70X90X40.00	70MM X 90MM X 40.00MM	\$66.21	EA
13 METRIC VEE PACKING 75X95X40.00	75MM X 95MM X 40.00MM	\$115.26	EA
13 METRIC VEE PACKING 80X95X22.50	80MM X 95MM X 22.50MM	\$71.24	EA
13 METRIC VEE PACKING 80X100X40.00	80MM X 100MM X 40.00MM	\$88.49	EA
13 METRIC VEE PACKING 90X105X22.50	90MM X 105MM X 22.50MM	\$79.37	EA
13 METRIC VEE PACKING 90X110X40.00	90MM X 110MM X 40.00MM	\$79.37	EA

TYPE 13 VEE PACKING

ITEM DESCRIPTION	ID X OD X HT DIMENSIONS	SALES PRICE	UOM
13 METRIC VEE PACKING 100X120X40.00	100MM X 120MM X 40.00MM	\$109.95	EA
13 METRIC VEE PACKING 110X125X30.00	110MM X 125MM X 30.00MM	\$142.34	EA
13 METRIC VEE PACKING 110X130X30.00	110MM X 130MM X 30.00MM	\$142.34	EA
13 METRIC VEE PACKING 110X130X40.00	110MM X 130MM X 40.00MM	\$106.54	EA
13 METRIC VEE PACKING 115X140X46.00	115MM X 140MM X 46.00MM	\$174.37	EA
13 METRIC VEE PACKING 125X140X34.00	125MM X 140MM X 34.00MM	\$118.12	EA
13 METRIC VEE PACKING 125X150X46.00	125MM X 150MM X 46.00MM	\$144.52	EA
13 METRIC VEE PACKING 140X165X46.00	140MM X 165MM X 46.00MM	\$260.10	EA
13 METRIC VEE PACKING 150X180X60.00	150MM X 180MM X 60.00MM	\$335.85	EA
13 METRIC VEE PACKING 160X190X60.00	160MM X 190MM X 60.00MM	\$359.43	EA
13 METRIC VEE PACKING 180X210X60.00	180MM X 210MM X 60.00MM	\$256.00	EA
13 METRIC VEE PACKING 200X230X60.00	200MM X 230MM X 60.00MM	\$ 288.99	EA
13 METRIC VEE PACKING 220X250X62.50	220MM X 250MM X 62.50MM	\$ 479.98	EA
13 METRIC VEE PACKING 245X275X62.50	245MM X 275MM X 62.50MM	POR	EA
13 METRIC VEE PACKING 270X300X62.50	270MM X 300MM X 62.50MM	POR	EA
13 METRIC VEE PACKING 290X320X64.00	290MM X 320MM X 64.00MM	POR	EA
13 METRIC VEE PACKING 320X360X78.00	320MM X 360MM X 78.00MM	POR	EA
13 METRIC VEE PACKING 380X420X80.00	380MM X 420MM X 80.00MM	POR	EA

**HIGH QUALITY SEALS WITH
SAME DAY SHIPPING!**

Bearings

TECHNICAL DETAILS

OPERATING CONDITIONS

MAXIMUM SPEED
TEMPERATURE RANGE

5.0 m/sec
-40°C + 120°C

15.0 ft/sec
-40°F + 250°F

SURFACE ROUGHNESS

ROD DYNAMIC SEALING FACE ϕd_1
STATIC SEALING FACE ϕD_2 L_1
PISTON DYNAMIC SEALING FACE ϕD_1
STATIC SEALING FACE ϕd_2 L_1

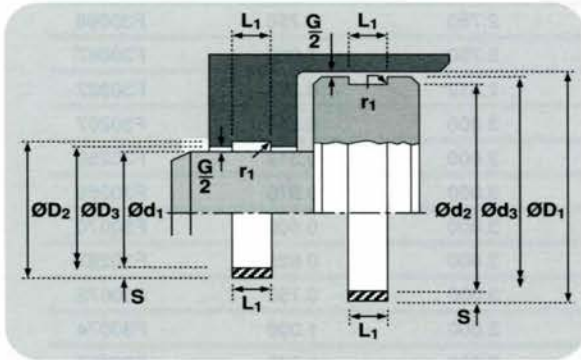
μmRa	μmRt	μmCLA	μmRMS
0.4	4 max	16	18
3.2 max	16 max	125 max	140 max

HOUSING DETAILS & TOLERANCES

L_1 in
 r_1 in
ROD ϕd_1 in
 ϕD_2 in
 ϕD_3 in
PISTON ϕD_1 in
 ϕd_2 in
 ϕd_3 in
 $\frac{1}{8}$ nominal cross sections - in
 $\frac{3}{32}$ nominal cross sections - in

$+0.015$	$+0.010$		
0.016 max			
f_9			
$\phi d_1 + 2S$	$+0.004$	-0.000	
$\phi d_1 + G$			
H11			
$\phi D_1 - 2S$	$+0.000$	-0.004	
$\phi D_1 - G$			
$S = 0.126$	G max 0.080	G min 0.031	
$S = 0.093$	G max 0.060	G min 0.031	

533



DESIGN

Hallite 533 glass filled nylon wear rings are designed for reciprocating piston and rod bearing applications.

The material is heat stabilised 33% glass reinforced nylon 66, which offers excellent bearing properties. The material is compatible with hydraulic and lubricating oils. The material is not recommended for use in water based fluids (H.F.A) or where significant water is present, due to the swell of the nylon. For these applications the use of Hallite 506 or Hallite 63 bearings are recommended.

NOTE : Metric sizes are also available upon request. For further information about these and any other sizes that you are looking for, please contact your local Hallite sales office.

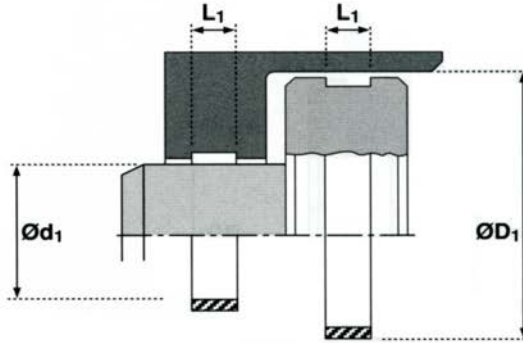
FEATURES

- MOULDED TO SIZE
- EASY INSTALLATION
- ROBUST
- LONG LIFE

Bearings

533

metric



TYPE 533 METRIC WEAR RINGS

ITEM DESCRIPTION	OD X WIDTH X C.S.	SALES PRICE	UOM
533 METRIC WEAR RING 25X3.20X1.15	25.0MM X 3.20MM X 1.15MM	\$1.65	EA
533 METRIC WEAR RING 25.4X4.7X2.35	25.4MM X 4.70MM X 2.35MM	\$1.70	EA
533 METRIC WEAR RING 28.6X9.5X1.6	28.6MM X 9.50MM X 1.60MM	\$1.75	EA
533 METRIC WEAR RING 31.8X4.7X2.4	31.8MM X 4.70MM X 2.40MM	\$1.80	EA
533 METRIC WEAR RING 31.8X6.4X1.95	31.8MM X 6.40MM X 1.95MM	\$2.01	EA
533 METRIC WEAR RING 31.8X9.5X2.4	31.8MM X 9.50MM X 2.40MM	\$2.19	EA
533 METRIC WEAR RING 31.8X12.7X1.6	31.8MM X 12.7MM X 1.60MM	\$2.36	EA
533 METRIC WEAR RING 31.8X25X1.6	31.8MM X 25.0MM X 1.60MM	\$2.56	EA
533 METRIC WEAR RING 31.8X38.1X1.6	31.8MM X 38.1MM X 1.60MM	\$2.91	EA
533 METRIC WEAR RING 32X9.5X2.35	32.0MM X 9.50MM X 2.35MM	\$1.86	EA
533 METRIC WEAR RING 35X12.7X1.55	35.0MM X 12.7MM X 1.55MM	\$1.86	EA
533 METRIC WEAR RING 36X11.0X2.5	36.0MM X 11.0MM X 2.50MM	\$2.11	EA
533 METRIC WEAR RING 38X4.70X2.55	38.0MM X 4.70MM X 2.55MM	\$1.88	EA
533 METRIC WEAR RING 39.9X6.40X1.6	39.9MM X 6.40MM X 1.60MM	\$2.06	EA
533 METRIC WEAR RING 39X19X2.05	39.0MM X 19.0MM X 2.05MM	\$2.36	EA
533 METRIC WEAR RING 40X14.9X2.54	40.0MM X 14.9MM X 2.54MM	\$2.26	EA
533 METRIC WEAR RING 40X15X2.55	40.0MM X 15.0MM X 2.55MM	\$2.26	EA
533 METRIC WEAR RING 41X20.6X1.55	41.0MM X 20.6MM X 1.55MM	\$2.36	EA
533 METRIC WEAR RING 41X25X1.6	41.0MM X 25.0MM X 1.60MM	\$2.56	EA

Precision Seals, Inc.
 820 Honeysuckle Drive
 Fultondale, AL 35068

SALES OFFICE HOURS
 7 A.M. TO 5 P.M. CST
 www.precisionseals.com

PHONE 205-631-7006 295
 FAX 205-631-7032
 TOLL FREE 800-233-8585

TYPE 533 METRIC WEAR RINGS

ITEM DESCRIPTION	OD X WIDTH X C.S.	SALES PRICE	UOM
533 METRIC WEAR RING 42.9X4.8X2.5	42.9MM X 4.80MM X 2.50MM	\$2.01	EA
533 METRIC WEAR RING 42X12.7X2.15	42.0MM X 12.7MM X 2.15MM	\$2.11	EA
533 METRIC WEAR RING 44X15.0X2.5	44.0MM X 15.0MM X 2.50MM	\$2.61	EA
533 METRIC WEAR RING 44.5X38.1X2.34	44.5MM X 38.1MM X 2.34MM	\$2.66	EA
533 METRIC WEAR RING 45X5.0X3.0	45.0MM X 5.00MM X 3.00MM	\$2.21	EA
533 METRIC WEAR RING 45X5.38X3.0	45.0MM X 5.38MM X 3.00MM	\$2.21	EA
533 METRIC WEAR RING 45X9.5X2.5	45.0MM X 9.50MM X 2.50MM	\$2.36	EA
533 METRIC WEAR RING 47.6X4.9X2.5	47.6MM X 4.90MM X 2.50MM	\$2.41	EA
533 METRIC WEAR RING 47.6X20.6X1.55	47.6MM X 20.6MM X 1.55MM	\$2.41	EA
533 METRIC WEAR RING 47.6X25.0X1.55	47.6MM X 25.0MM X 1.55MM	\$2.58	EA
533 METRIC WEAR RING 49.9X19.0X3.2	49.9MM X 19.0MM X 3.20MM	\$2.91	EA
533 METRIC WEAR RING 50X9.5X2.5	50.0MM X 9.50MM X 2.50MM	\$11.88	EA
533 METRIC WEAR RING 50X5.0X3.0	50.0MM X 5.00MM X 3.00MM	\$2.21	EA
533 METRIC WEAR RING 50X6.35X3.17	50.0MM X 6.35MM X 3.17MM	\$2.21	EA
533 METRIC WEAR RING 50X6.9X2.5	50.0MM X 6.90MM X 2.50MM	\$8.12	EA
533 METRIC WEAR RING 50X10.0X2.5	50.0MM X 10.0MM X 2.50MM	\$4.41	EA
533 METRIC WEAR RING 50.8X4.9X2.5	50.8MM X 4.90MM X 2.50MM	\$2.21	EA
533 METRIC WEAR RING 50.8X5.0X3.0	50.8MM X 5.00MM X 3.00MM	\$2.26	EA
533 METRIC WEAR RING 55.0X9.7X2.5	55.0MM X 9.7MM X 2.50MM	\$3.59	EA
533 METRIC WEAR RING 56X5.0X3.0	56.0MM X 5.00MM X 3.00MM	\$2.21	EA
533 METRIC WEAR RING 59.9X19.0X3.2	59.9MM X 19.00MM X 3.2MM	\$2.86	EA
533 METRIC WEAR RING 60X6.9X2.5	60.0MM X 6.90MM X 2.50MM	\$4.41	EA
533 METRIC WEAR RING 63X5.0X3.0	63.0MM X 5.00MM X 3.00MM	\$2.41	EA
533 METRIC WEAR RING 63X7.5X2.50	63.0MM X 7.50MM X 2.50MM	\$2.51	EA
533 METRIC WEAR RING 63X9.50X2.50	63.5MM X 9.50MM X 2.50MM	\$2.51	EA
533 METRIC WEAR RING 63X7.50X3.80	63.0MM X 7.50MM X 3.80MM	\$2.51	EA
533 METRIC WEAR RING 63X10X3.0	63.0MM X 10.0MM X 3.0MM	\$2.51	EA
533 METRIC WEAR RING 69.0X30.0X3.0	69.0MM X 30.0MM X 3.0MM	\$11.32	EA
533 METRIC WEAR RING 70X6.9X2.5	70.0MM X 6.90MM X 2.50MM	\$4.41	EA
533 METRIC WEAR RING 70X7.5X3.8	70.0MM X 7.50MM X 3.80MM	\$2.46	EA
533 METRIC WEAR RING 70X9.5X2.5	70.0MM X 9.50MM X 2.5MM	\$4.10	EA

296 Precision Seals, Inc.
820 Honeysuckle Drive
Fultondale, AL 35068

SALES OFFICE HOURS
7 A.M. TO 5 P.M. CST
www.precisionseals.com

PHONE 205-631-7006
FAX 205-631-7032
TOLL FREE 800-233-8585

TYPE 533 METRIC WEAR RINGS

ITEM DESCRIPTION	OD X WIDTH X C.S.	SALES PRICE	UOM
<i>533 METRIC WEAR RING 70X10.0X3.0</i>	70.0MM X 10.0MM X 3.00MM	\$2.51	EA
<i>533 METRIC WEAR RING 70X10.38X3.0</i>	70.0MM X 10.38MM X 3.00MM	\$2.51	EA
<i>533 METRIC WEAR RING 70X20.0X2.5</i>	70.0MM X 20.0MM X 2.50MM	\$3.11	EA
<i>533 METRIC WEAR RING 74.4X10.0X3.2</i>	74.4MM X 10.0MM X 3.20MM	\$2.51	EA
<i>533 METRIC WEAR RING 74.4X25.0X3.2</i>	74.4MM X 25.0MM X 3.20MM	\$3.66	EA
<i>533 METRIC WEAR RING 75X20.0X2.5</i>	75.0MM X 20.0MM X 2.50MM	\$5.77	EA

**QUALITY AND RELIABLE
SERVICE! LOW
SHIPPING COSTS!**

*Precision Seals, Inc.
820 Honeysuckle Drive
Fultondale, AL 35068*

**SALES OFFICE HOURS
7 A.M. TO 5 P.M. CST
www.precisionseals.com**

**PHONE 205-631-7006 297
FAX 205-631-7032
TOLL FREE 800-233-8585**

TYPE 533 METRIC WEAR RINGS

ITEM DESCRIPTION	OD X WIDTH X C.S.	SALES PRICE	UOM
533 METRIC WEAR RING 80X7.5X4.8	80.0MM X 7.50MM X 4.80MM	\$2.51	EA
533 METRIC WEAR RING 80X9.7X2.5	80.0MM X 9.70MM X 2.50MM	\$8.47	EA
533 METRIC WEAR RING 80X10.0X3.0	80.0MM X 10.00MM X 3.00MM	\$2.51	EA
533 METRIC WEAR RING 80X10.38X3.0	80.0MM X 10.38MM X 3.00MM	\$2.56	EA
533 METRIC WEAR RING 84.8X24.72X3.16	84.8MM X 24.72MM X 3.16MM	\$3.91	EA
533 METRIC WEAR RING 90X7.5X3.8	90.0MM X 7.50MM X 3.80MM	\$3.11	EA
533 METRIC WEAR RING 90X7.5X4.8	90.0MM X 7.50MM X 4.80MM	\$3.11	EA
533 METRIC WEAR RING 90X9.7X2.5	90.0MM X 9.70MM X 2.50MM	\$4.41	EA
533 METRIC WEAR RING 90X15.0X3.0	90.0MM X 15.00MM X 3.00MM	\$6.70	EA
533 METRIC WEAR RING 90X15.38X3.0	90.0MM X 15.38MM X 3.00MM	\$3.21	EA
533 METRIC WEAR RING 90X24.5X3.0	90.0MM X 24.50MM X 3.00MM	\$6.97	EA
533 METRIC WEAR RING 90X25.0X3.0	90.0MM X 25.00MM X 3.00MM	\$4.31	EA
533 METRIC WEAR RING 95X7.9X2.5	95.0MM X 7.90MM X 2.5MM	\$8.67	EA
533 METRIC WEAR RING 90X14.8X2.5	95.0MM X 14.80MM X 2.5MM	\$7.21	EA
533 METRIC WEAR RING 100X8.0X3.0	100.0MM X 8.00MM X 3.00MM	\$2.71	EA
533 METRIC WEAR RING 100X9.7X2.5	100.0MM X 9.70MM X 2.5MM	\$4.96	EA
533 METRIC WEAR RING 100X14.6X2.5	100.0MM X 14.6MM X 2.50MM	\$4.96	EA
533 METRIC WEAR RING 100X15.0X3.0	100.0MM X 15.00MM X 3.00MM	\$3.41	EA
533 METRIC WEAR RING 100X15.38X3.0	100.0MM X 15.38MM X 3.00MM	\$3.41	EA
533 METRIC WEAR RING 100X25.0X3.0	100.0MM X 25.00MM X 3.00MM	\$7.47	EA
533 METRIC WEAR RING 105X15.88X3.0	105.0MM X 15.88MM X 3.00MM	\$3.71	EA
533 METRIC WEAR RING 105X24.5X3.0	105.0MM X 24.50MM X 3.00MM	\$3.81	EA
533 METRIC WEAR RING 110X7.9X2.5	110.0MM X 7.90MM X 2.50MM	\$6.27	EA
533 METRIC WEAR RING 110X8.0X3.0	110.0MM X 8.00MM X 3.00MM	\$3.01	EA
533 METRIC WEAR RING 110X15.0X2.5	110.0MM X 15.00MM X 2.50MM	\$4.96	EA
533 METRIC WEAR RING 110X15.0X3.0	110.0MM X 15.00MM X 3.00MM	\$4.96	EA
533 METRIC WEAR RING 110X25.0X3.0	110.0MM X 25.00MM X 3.00MM	\$4.31	EA
533 METRIC WEAR RING 115X7.9X2.5	115.0MM X 7.90MM X 2.50MM	\$6.27	EA
533 METRIC WEAR RING 115X8.0X3.0	115.0MM X 8.00MM X 3.00MM	\$3.36	EA
533 METRIC WEAR RING 115X9.5X2.5	115.0MM X 9.50MM X 2.50MM	\$3.51	EA
533 METRIC WEAR RING 115X14.80X2.5	115.0MM X 14.80MM X 2.50MM	\$7.07	EA

TYPE 533 METRIC WEAR RINGS

ITEM DESCRIPTION	OD X WIDTH X C.S.	SALES PRICE	UOM
533 METRIC WEAR RING 115X15.0X3.0	115.0MM X 15.00MM X 3.00MM	\$3.91	EA
533 METRIC WEAR RING 120X7.90X2.50	120.0MM X 7.90MM X 2.5MM	\$6.27	EA
533 METRIC WEAR RING 120X10.0X3.0	120.0MM X 10.00MM X 3.00MM	\$3.71	EA
533 METRIC WEAR RING 120X15.0X2.5	120.0MM X 15.00MM X 2.50MM	\$6.27	EA
533 METRIC WEAR RING 120X20.0X3.0	120.0MM X 20.00MM X 3.00MM	\$6.27	EA
533 METRIC WEAR RING 120X20.4X3.0	120.0MM X 22.40MM X 3.00MM	\$23.16	EA
533 METRIC WEAR RING 125X7.9X2.5	125.0MM X 7.90MM X 2.50MM	\$3.11	EA
533 METRIC WEAR RING 125X9.50X2.5	125.0MM X 9.50MM X 2.50MM	\$8.64	EA
533 METRIC WEAR RING 125X10.0X3.0	125.0MM X 10.00MM X 3.00MM	\$4.11	EA
533 METRIC WEAR RING 125X15.0X2.5	125.0MM X 15.00MM X 2.50MM	\$11.96	EA
533 METRIC WEAR RING 125X20.0X3.0	125.0MM X 20.00MM X 3.00MM	\$6.27	EA
533 METRIC WEAR RING 130X7.9X2.5	130.0MM X 7.90MM X 2.50MM	\$6.52	EA
533 METRIC WEAR RING 130X30.0X3.5	130.0MM X 30.00MM X 3.50MM	\$9.33	EA
533 METRIC WEAR RING 135X7.9X2.5	135.0MM X 7.90MM X 2.50MM	\$6.52	EA
533 METRIC WEAR RING 135X14.8X3.5	135.0MM X 14.80MM X 3.50MM	\$8.62	EA
533 METRIC WEAR RING 140X7.9X2.5	140.0MM X 7.90MM X 2.50MM	\$3.31	EA
533 METRIC WEAR RING 140X10.0X3.0	140.0MM X 10.00MM X 3.00MM	\$4.11	EA
533 METRIC WEAR RING 140X15.0X3.0	140.0MM X 15.00MM X 3.00MM	\$3.91	EA
533 METRIC WEAR RING 140X20.0X3.0	140.0MM X 20.00MM X 3.00MM	\$4.01	EA
533 METRIC WEAR RING 140X35.0X3.5	140.0MM X 35.00MM X 3.50MM	\$9.78	EA
533 METRIC WEAR RING 145X14.8X2.5	145.0MM X 14.80MM X 2.50MM	\$9.20	EA
533 METRIC WEAR RING 145X14.8X3.5	145.0MM X 14.80MM X 3.50MM	\$8.37	EA
533 METRIC WEAR RING 145X25.0X2.5	145.0MM X 25.0MM X 2.50MM	\$21.51	EA
533 METRIC WEAR RING 150X9.7X2.5	150.0MM X 9.70MM X 2.50MM	\$8.37	EA
533 METRIC WEAR RING 150X14.8X2.5	150.0MM X 14.80MM X 2.50MM	\$10.97	EA
533 METRIC WEAR RING 150X14.80X3.5	150.0MM X 14.80MM X 3.50MM	\$5.21	EA
533 METRIC WEAR RING 150X17.50X6.15	150.0MM X 17.50MM X 6.15MM	\$57.03	EA
533 METRIC WEAR RING 150X35.0X3.5	150.0MM X 35.00MM X 3.50MM	\$6.77	EA
533 METRIC WEAR RING 160X15.0X3.0	160.0MM X 15.00MM X 3.00MM	\$4.11	EA
533 METRIC WEAR RING 160X20.0X3.0	160.0MM X 20.00MM X 3.00MM	\$4.21	EA
533 METRIC WEAR RING 160X40.0X3.5	160.0MM X 40.00MM X 3.50MM	\$7.62	EA

Precision Seals, Inc.
820 Honeysuckle Drive
Fultondale, AL 35068

SALES OFFICE HOURS
7 A.M. TO 5 P.M. CST
www.precisionseals.com

PHONE 205-631-7006
FAX 205-631-7032
TOLL FREE 800-233-8585

TYPE 533 METRIC WEAR RINGS

ITEM DESCRIPTION	OD X WIDTH X C.S.	SALES PRICE	UOM
<i>533 METRIC WEAR RING 165X20.0X6.19</i>	165.0MM X 20.0MM X 6.19MM	\$65.63	EA
<i>533 METRIC WEAR RING 180X20.0X3.0</i>	180.0MM X 20.00MM X 3.00MM	\$4.46	EA
<i>533 METRIC WEAR RING 180X45.0X4.0</i>	180.0MM X 45.00MM X 4.00MM	\$10.13	EA
<i>533 METRIC WEAR RING 190X45.0X4.0</i>	190.0MM X 45.00MM X 4.00MM	\$10.28	EA
<i>533 METRIC WEAR RING 200X20.0X3.0</i>	200.0MM X 20.00MM X 3.00MM	\$4.91	EA
<i>533 METRIC WEAR RING 200X22.0X4.0</i>	200.0MM X 22.00MM X 4.00MM	\$10.43	EA
<i>533 METRIC WEAR RING 200X45.0X4.0</i>	200.0MM X 45.00MM X 4.00MM	\$10.93	EA

**QUALITY AND
RELIABLE SERVICE!
LOW SHIPPING
COSTS!**



300 *Precision Seals, Inc.*
820 Honeysuckle Drive
Fultondale, AL 35068

SALES OFFICE HOURS
7 A.M. TO 5 P.M. CST
www.precisionseals.com

PHONE 205-631-7006
FAX 205-631-7032
TOLL FREE 800-233-8585

Bearings

TECHNICAL DETAILS

METRIC  INCH 



OPERATING CONDITIONS

TEMPERATURE RANGE		-40° C + 120° C		-40° F + 250° F	
LIMITING PV VALUES LUBRICATED*		Speed m/sec	Pressure MN/m ²	Speed ft/sec	Pressure p.s.i.
		0.1	10.0	0.3	1500
		1.0	6.0	3.0	900
		5.0	0.8	16.0	120

TYPICAL PHYSICAL PROPERTIES

SPECIFIC GRAVITY	1.27	1.27
COMPRESSION STRESS AT FAILURE	(Temp 23° C) 450 MN/m ²	(Temp 73° F) 65,000 p.s.i.
COMPRESSION STRESS AT YIELD*	(Temp 23° C) 115 MN/m ²	(Temp 73° F) 16,500 p.s.i.
COMPRESSION STRESS AT YIELD*	(Temp 80° C) 58 MN/m ²	(Temp 176° F) 8,500 p.s.i.
COEFFICIENT OF THERMAL CONDUCTIVITY	0.27 W/mK	0.16 Btu/ft ° F
COEFFICIENT OF THERMAL EXPANSION	Length 9 X 10 ⁻⁵ per °C	Length 5 X 10 ⁻⁵ per °F
	Thickness 13 X 10 ⁻⁵ per °C	Thickness 7.3 X 10 ⁻⁵ per °F
COEFFICIENT OF DYNAMIC FRICTION	Dry	Dry
on steel surface (0.2 μm Ra) / (8 μin CLA)	Lubricated	Lubricated
	0.50	0.06

SURFACE ROUGHNESS

DYNAMIC SEALING FACE Ød ₁	μm Ra	μm Rt	μin CLA	μin RMS
STATIC SEALING FACE ØD ₁ L ₁	0.4	4 max	16	18
	3.2 max	16 max	125 max	140 max

BEARING STRIP TOLERANCES

L ₁	S	L ₁	S
-0.1 to -0.6	-0.02 to -0.1	-0.005 to -0.015	-0.001 to -0.004

WIDTH OF BEARING SPLIT - W

Ød ₁ / ØD ₁	W	Ød ₁ / ØD ₁	W
Up to 50	3.00 - 1.50	Up to 2in	0.12 - 0.06
Up to 120	5.00 - 3.50	Up to 5in	0.19 - 0.14
Up to 250	9.00 - 7.25	Up to 10in	0.35 - 0.29
Up to 550	17.00 - 15.00	Up to 22in	0.67 - 0.59

HOUSING DETAILS & TOLERANCES

G min controls the minimum metal to metal clearance between the gland and rod or bore and piston. ROD
G max controls the maximum extrusion gap seen by a seal associated with the bearing.

Typically, G min should be 0.7mm / 0.028" but can be reduced when required by the extrusion gap for the seal and the build up of tolerances. PISTON
The absolute minimum metal to metal clearance recommended is 0.1mm / 0.004". For applications not using a seal G max can be 0.6 x S

Ød ₁	f9	Ød ₁	f9
ØD ₂ = Ød ₁ + 2S	up to : Ø80 H10 above : Ø80 H9	ØD ₂ = Ød ₁ + 2S	up to : Ø3in H10 above : Ø3in H9
ØD ₃ = Ød ₁ + G	G min / max + 0.2 - 0 mm	ØD ₃ = Ød ₁ + G	G min / max + 0.008 - 0 in
L ₁		L ₁	
ØD ₁	H11	ØD ₁	H11
Ød ₂ = ØD ₁ - 2S	f9	Ød ₂ = ØD ₁ - 2S	f9
Ød ₃ = ØD ₁ - G	G min / max + 0.2 - 0 mm	Ød ₃ = ØD ₁ - G	G min / max + 0.008 - 0 in
L ₁		L ₁	

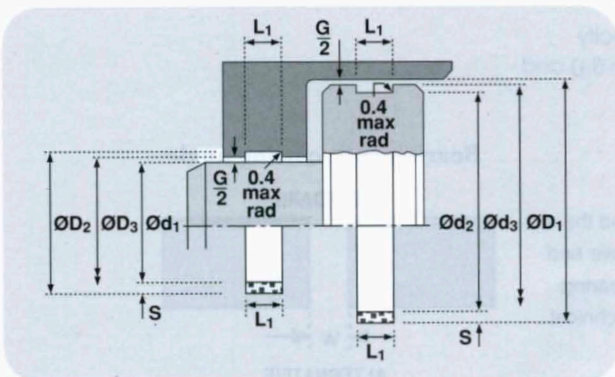
DESIGN

Hallite 506 bearing strip is available in three forms: cut rings, spiral lengths and flat coils. Hallite 506 provides an extremely effective, hard wearing and easy to use bearing material.

Manufactured to very tight tolerances and providing bearing solutions for reciprocating, oscillating and slow rotary movement applications, Hallite 506 bearing strip is used in many of today's most arduous hydraulic applications around the world.

Commonly fitted in reciprocating cylinders as rod and piston bearings, Hallite 506 is capable of withstanding extreme side-loads preventing metal to metal contact. The material's design incorporates micro indentations on the bearing strip's surface to trap fluid and provide built-in lubrication to the bearing.

The 506 bearing strip is manufactured by a patented process, using a woven fabric reinforced polyester resin material and is proven to be compatible with a wide range of fluids, including mineral oils, water based fluids and phosphate esters, to produce a rectangular section strip which is available in a wide range of inch and metric sizes including cross sections specified in ISO 10766.

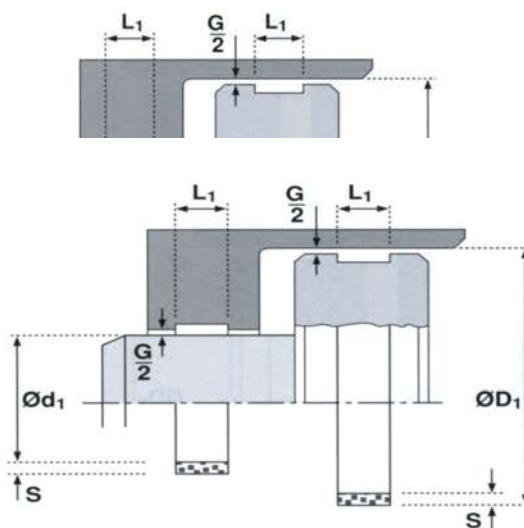


* Please note that for reciprocating applications, the compressive stress at yield should be used for design calculations. For rotary shafts use the limiting P.V. values. It is suggested that a 2:1 factor of safety is applied.

Bearings

506

metric - flat coils

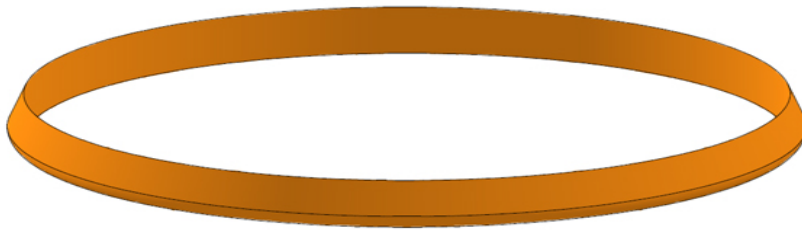


METRIC BRONZE WEAR TAPE

ITEM DESCRIPTION	WIDTH X THICKNESS	SALES PRICE	UOM
<i>METRIC BRZ WEAR TAPE 7.9X2.0</i>	7.9MM X 2.0MM	\$9.42	FT
<i>METRIC BRZ WEAR TAPE 9.7X2.0</i>	9.7MM X 2.0MM	\$9.74	FT
<i>METRIC BRZ WEAR TAPE 15.0X2.0</i>	15.0MM X 2.0MM	\$13.78	FT
<i>METRIC BRZ WEAR TAPE 20.0X2.0</i>	20.0MM X 2.0MM	\$14.01	FT
<i>METRIC BRZ WEAR TAPE 5.6X2.5</i>	5.6MM X 2.5MM	\$11.03	FT
<i>METRIC BRZ WEAR TAPE 9.7x2.5</i>	9.7MM X 2.5MM	\$11.56	FT
<i>METRIC BRZ WEAR TAPE 13.0X2.5</i>	13.0MM X 2.5MM	\$13.52	FT
<i>METRIC BRZ WEAR TAPE 15.0X2.5</i>	15.0MM X 2.5MM	\$14.48	FT
<i>METRIC BRZ WEAR TAPE 20.0X2.5</i>	20.0MM X 2.5MM	\$19.19	FT
<i>METRIC BRZ WEAR TAPE 25.0X2.5</i>	25.0MM X 2.5MM	\$19.78	FT
<i>METRIC BRZ WEAR TAPE 9.7X3.0</i>	9.7MM X 3.0MM	\$22.55	FT
<i>METRIC BRZ WEAR TAPE 12.8X3.0</i>	12.8MM X 3.0MM	\$23.25	FT
<i>METRIC BRZ WEAR TAPE 20.0X3.0</i>	20.0MM X 3.0MM	\$25.84	FT
<i>METRIC BRZ WEAR TAPE 30.0X4.0</i>	30.0MM X 4.0MM	\$31.92	FT
<i>METRIC BRZ WEAR TAPE 6.0X4.0</i>	6.0MM X 4.0MM	\$22.55	FT
<i>METRIC BRZ WEAR TAPE 7.9X4.0</i>	7.9MM X 4.0MM	\$23.25	FT
<i>METRIC BRZ WEAR TAPE 9.5X4.0</i>	9.5MM X 4.0MM	\$25.84	FT
<i>METRIC BRZ WEAR TAPE 14.0X4.0</i>	14.0MM X 4.0MM	\$31.92	FT

J. D. INSTALLATION TOOLS

ITEM DESCRIPTION	TOOL KIT	LIST PRICE	UOM
JD-045MM-IT	JD-045MM-IT	\$8.89	EA
JD-050MM-IT	JD-050MM-IT	\$9.33	EA
JD-070MM-IT	JD-070MM-IT	\$9.39	EA
JD-080MM-IT	JD-080MM-IT	\$7.88	EA
JD-090MM-IT	JD-090MM-IT	\$7.92	EA
JD-100MM-IT	JD-100MM-IT	\$7.96	EA
JD-115MM-IT	JD-115MM-IT	\$6.16	EA

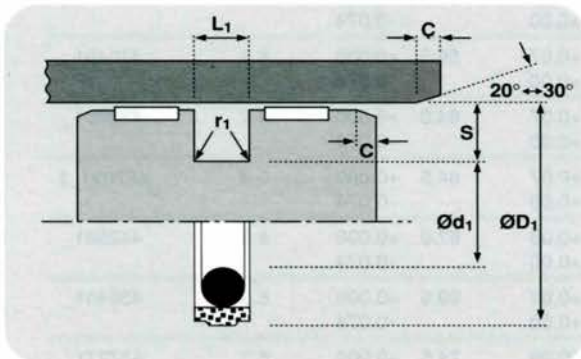


**QUALITY AND
RELIABLE SERVICE!
LOW SHIPPING COSTS!**

Piston seals

TECHNICAL DETAILS		METRIC	INCH
OPERATING CONDITIONS			
MAXIMUM SPEED		1.0 m/sec	3.0 ft/sec
TEMPERATURE RANGE		-40°C + 110°C	-40°F + 230°F
MAXIMUM PRESSURE		350 bar	5000 p.s.i.
MAXIMUM EXTRUSION GAP			
PRESSURE bar		100	160
MAXIMUM GAP (S>7) mm		1.0	0.8
MAXIMUM GAP (S<7) mm		0.8	0.6
PRESSURE p.s.i.		1500	2400
		3750	5000
SURFACE ROUGHNESS			
DYNAMIC SEALING FACE OD_1		μmRa 0.1 ↔ 0.4	μinCLA 4 ↔ 16
STATIC SEALING FACE OD_1		μmRt 4 max	μinRMS 5 ↔ 18
STATIC SEALING FACE OD_1		1.6 max	63 max
STATIC HOUSING FACES L_1		3.2 max	125 max
		16 max	140 max
CHAMFERS & RADII			
GROOVE SECTION $\leq S$ mm		3.75	5.50
MIN CHAMFER C mm		2.00	2.50
MAX FILLET RAD r_1 mm		5.00	5.00
		0.40	0.80
		1.20	1.60
TOLERANCES			
		OD_1	L_1
		H9	h9
			+0.2 -0

754



MATERIAL OPTIONS

Face material

Polyester elastomer - standard (Red 55D)
Last digit of part no. ----- 0

Lubricated polyester elastomer
Last digit of part no. ----- 2

Hydrolysis stabilised polyester elastomer (Red 72D)
Last digit of part no. ----- 3

Hythane 181 - A limited number of sizes are available in this material option
Last digit of part no. ----- 4

For full details and availability please contact your local Hallite sales office. Technical details shown are for standard Red 55D polyester elastomer.

Figures show the maximum permissible gap all on one side using the minimum clearance Ø and maximum bore Ø

	μmRa	μmRt	μinCLA	μinRMS
DYNAMIC SEALING FACE OD_1	0.1 ↔ 0.4	4 max	4 ↔ 16	5 ↔ 18
STATIC SEALING FACE OD_1	1.6 max	10 max	63 max	70 max
STATIC HOUSING FACES L_1	3.2 max	16 max	125 max	140 max

DESIGN

The Hallite 754 double acting piston seal is a compact low friction seal for light to medium duty hydraulic cylinders. As standard, it comprises a tough, wear resistant thermoplastic elastomer face, (see left for face material options) which is pre-loaded by an O ring. The housing width allows a narrow width piston to be used, but it is recommended that an adequate bearing is mounted on one or both sides of the seal. Housing dimensions for use with Hallite 87 and 506 bearing strip are given in the installation details. For further details of bearing strip grooves, please refer to the appropriate data sheets.

NB: Part numbers suffixed by "±" indicate housing sizes to meet ISO 7425-1.

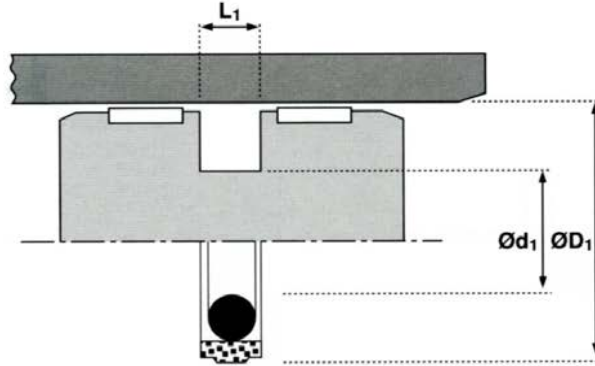
FEATURES

- LOW BREAK-OUT AND OPERATING FRICTION LEVELS.
- RAPID RECOVERY OF FACE AFTER ASSEMBLY. UNLIKE COMMON PTFE FACES, NO RE-SIZING IS REQUIRED.
- MORE TOLERANT TO CONTAMINATION THAN COMMON PTFE EQUIVALENTS.
- EXCELLENT POSITION HOLDING CHARACTERISTICS UNDER LOAD
- COMPATIBLE WITH MOST HYDRAULIC FLUIDS.
- EXCELLENT WEAR RESISTANCE.
- OPERATES ON A WIDE RANGE OF SURFACE FINISHES.
- IDEAL FOR USE WITH HALLITE 506 OR 87 BEARING STRIP.
- ISO 7425 HOUSINGS.

Piston seals

754

metric



TYPE 754 HIGH PRESSURE SEALS

ITEM DESCRIPTION	OD X ID X HT DIMENSIONS	SALES PRICE	UOM
754 HIGH PRESSURE SEAL 15MM	15.0MM X 7.5MM X 3.2MM	\$4.66	EA
754 HIGH PRESSURE SEAL 16MM	16.0MM X 8.5MM X 3.2MM	\$4.66	EA
754 HIGH PRESSURE SEAL 20MM	20.0MM X 16.5MM X 3.2MM	\$26.32	EA
754 HIGH PRESSURE SEAL 25MM	25.0MM X 17.5MM X 3.2MM	\$4.66	EA
754 HIGH PRESSURE SEAL 30MM	30.0MM X 22.5MM X 3.2MM	\$4.66	EA
754 HIGH PRESSURE SEAL 32MM	32.0MM X 24.5MM X 3.2MM	\$4.76	EA
754 HIGH PRESSURE SEAL 35MM	35.0MM X 27.5MM X 3.2MM	\$4.91	EA
754 HIGH PRESSURE SEAL 40MM	40.0MM X 29.0MM X 4.2MM	\$4.88	EA
754 HIGH PRESSURE SEAL 40MM	40.0MM X 24.5MM X 6.2MM	\$7.24	EA
754 HIGH PRESSURE SEAL 45MM	45.0MM X 34.0MM X 4.2MM	\$5.06	EA
754 HIGH PRESSURE SEAL 48MM	48.0MM X 37.0MM X 4.2MM	\$10.78	EA
754 HIGH PRESSURE SEAL 50MM	50.0MM X 33.0MM X 6.3MM	\$11.36	EA
754 HIGH PRESSURE SEAL 50MM	50.0MM X 34.5MM X 6.3MM PSQ BRZ	\$9.72	EA
754 HIGH PRESSURE SEAL 50MM	50.0MM X 39.0MM X 4.2MM	\$5.26	EA
754 HIGH PRESSURE SEAL 50MM	50.0MM X 39.0MM X 4.2MM BRZ	\$12.07	EA
754 HIGH PRESSURE SEAL 55MM	55.0MM X 39.5MM X 6.3MM	\$6.22	EA
754 HIGH PRESSURE SEAL 55MM	55.0MM X 39.5MM X 6.3MM BRZ	\$12.96	EA
754 HIGH PRESSURE SEAL 55MM	55.0MM X 44.0MM X 4.2MM	\$8.03	EA
754 HIGH PRESSURE SEAL 55MM	55.0MM X 44.0MM X 4.2MM BRZ	\$11.32	EA
754 HIGH PRESSURE SEAL 56MM	56.0MM X 43.5MM X 4.0MM	\$11.86	EA
754 HIGH PRESSURE SEAL 60MM	60.0MM X 43.0MM X 6.3MM BRZ	\$9.85	EA
754 HIGH PRESSURE SEAL 60MM	60.0MM X 44.5MM X 6.3MM	\$8.15	EA

Precision Seals, Inc.
820 Honeysuckle Drive
Fultondale, AL 35068

SALES OFFICE HOURS
7 A.M. TO 5 P.M. CST
www.precisionseals.com

PHONE 205-631-7006
FAX 205-631-7032
TOLL FREE 800-233-8585

TYPE 754 HIGH PRESSURE SEALS

ITEM DESCRIPTION	OD X ID X HT DIMENSIONS	SALES PRICE	UOM
754 HIGH PRESSURE SEAL 60MM	60.0MM X 49.0MM X 4.2MM	\$5.62	EA
754 HIGH PRESSURE SEAL 60MM	60.0MM X 49.0MM X 4.2MM BRZ	\$33.26	EA
754 HIGH PRESSURE SEAL 60MM	60.0MM X 50.0MM X 3.1MM	\$4.71	EA
754 HIGH PRESSURE SEAL 63MM	63.0MM X 47.5MM X 6.3MM	\$9.09	EA
754 HIGH PRESSURE SEAL 63MM	63.0MM X 47.5MM X 6.0MM BRZ	\$9.09	EA
754 HIGH PRESSURE SEAL 63MM	63.0MM X 47.5MM X 6.0MM PSQ BRZ	\$8.03	EA
754 HIGH PRESSURE SEAL 63MM	63.0MM X 52.0MM X 4.2MM	\$8.72	EA
754 HIGH PRESSURE SEAL 63MM	63.0MM X 52.0MM X 4.2MM BRZ	\$11.58	EA
754 HIGH PRESSURE SEAL 65MM	65.0MM X 49.5MM X 6.3MM	\$9.40	EA
754 HIGH PRESSURE SEAL 65MM	65.0MM X 54.0MM X 4.2MM	\$9.40	EA
754 HIGH PRESSURE SEAL 65MM	65.0MM X 54.0MM X 4.2MM BRZ	\$9.40	EA
754 HIGH PRESSURE SEAL 70MM	70.0MM X 59.0MM X 4.2MM	\$6.87	EA
754 HIGH PRESSURE SEAL 70MM	70.0MM X 59.0MM X 4.2MM BRZ	\$12.87	EA
754 HIGH PRESSURE SEAL 70MM	70.0MM X 56.0MM X 6.3MM	\$9.90	EA
754 HIGH PRESSURE SEAL 70MM	70.0MM X 56.0MM X 6.3MM BRZ	\$11.58	EA
754 HIGH PRESSURE SEAL 70MM	70.0MM X 56.4MM X 7.2MM	\$12.93	EA
754 HIGH PRESSURE SEAL 75MM	75.0MM X 64.0MM X 4.2MM	\$7.37	EA
754 HIGH PRESSURE SEAL 75MM	75.0MM X 64.0MM X 4.2MM BRZ	\$13.87	EA
754 HIGH PRESSURE SEAL 75MM	75.0MM X 60.0MM X 6.3MM BRZ	\$11.06	EA
754 HIGH PRESSURE SEAL 75MM	75.0MM X 69.0MM X 8.1MM STEP	\$13.29	EA
754 HIGH PRESSURE SEAL 80MM	80.0MM X 64.5MM X 6.3MM	\$8.17	EA
754 HIGH PRESSURE SEAL 80MM	80.0MM X 64.5MM X 6.3MM BRZ	\$18.71	EA
754 HIGH PRESSURE SEAL 80MM	80.0MM X 65.0MM X 7.5MM	\$23.80	EA
754 HIGH PRESSURE SEAL 80MM	80.0MM X 74MM X 8.1MM STEP	\$13.64	EA
754 HIGH PRESSURE SEAL 85MM	85.0MM X 69.5MM X 6.3MM	\$8.32	EA
754 HIGH PRESSURE SEAL 85MM	85.0MM X 79MM X 8.1MM STEP	\$13.89	EA
754 HIGH PRESSURE SEAL 90MM	90.0MM X 74.5MM X 6.3MM	\$8.47	EA
754 HIGH PRESSURE SEAL 90MM	90.0MM X 74.5MM X 6.3MM BRZ	\$13.05	EA
754 HIGH PRESSURE SEAL 90MM	90.0MM X 75MM X 7.5MM BRZ	\$19.90	EA
754 HIGH PRESSURE SEAL 90MM	90.0MM X 84MM X 8.1MM STEP	\$14.19	EA
754 HIGH PRESSURE SEAL 92MM	92.0MM X 81MM X 3.1MM	\$6.38	EA
754 HIGH PRESSURE SEAL 95MM	95.0MM X 79.5MM X 6.3MM	\$8.77	EA

306

Precision Seals, Inc.
820 Honeysuckle Drive
Fultondale, AL 35068

SALES OFFICE HOURS
7 A.M. TO 5 P.M. CST
www.precisionseals.com

PHONE 205-631-7006
FAX 205-631-7032
TOLL FREE 800-233-8585

TYPE 754 HIGH PRESSURE SEALS

ITEM DESCRIPTION	OD X ID X HT DIMENSIONS	SALES PRICE	UOM
754 HIGH PRESSURE SEAL 100MM	100.0MM X 84.5MM X 6.3MM	\$8.72	EA
754 HIGH PRESSURE SEAL 100MM	100.0MM X 84.5MM X 6.3MM BRZ	\$15.55	EA
754 HIGH PRESSURE SEAL 100MM	100.0MM X 86.6MM X 7.2MM	\$11.88	EA
754 HIGH PRESSURE SEAL 100MM	100.0MM X 94MM X 8.1MM STEP	\$16.95	EA
754 HIGH PRESSURE SEAL 105MM	105.0MM X 89.5MM X 6.3MM	\$8.77	EA
754 HIGH PRESSURE SEAL 105MM	105.0MM X 99.8MM X 8.1MM STEP	\$14.99	EA
754 HIGH PRESSURE SEAL 110MM	110.0MM X 94.5MM X 6.3MM	\$9.53	EA
754 HIGH PRESSURE SEAL 110MM	110.0MM X 91.0MM X 8.0MM BRZ	\$14.37	EA
754 HIGH PRESSURE SEAL 110MM	110.0MM X 94.0MM X 7.5MM BRZ	\$48.60	EA
754 HIGH PRESSURE SEAL 115MM	115.0MM X 99.5MM X 6.3MM	\$10.18	EA
754 HIGH PRESSURE SEAL 115MM	115.0MM X 109MM X 8.1MM STEP	\$18.90	EA
754 HIGH PRESSURE SEAL 120MM	120.0MM X 104.0MM X 6.3MM	\$10.28	EA
754 HIGH PRESSURE SEAL 120MM	120.0MM X 99MM X 8.1MM BRZ	\$19.90	EA
754 HIGH PRESSURE SEAL 125MM	125.0MM X 109.0MM X 6.3MM	\$11.53	EA
754 HIGH PRESSURE SEAL 125MM	125.0MM X 109.0MM X 7.5MM	\$43.85	EA
754 HIGH PRESSURE SEAL 125MM	125.0MM X 119MM X 8.1MM STEP	\$21.61	EA
754 HIGH PRESSURE SEAL 125MM	125.0MM X 113MM X 9.5MM	\$21.61	EA
754 HIGH PRESSURE SEAL 130MM	130.0MM X 114.5MM X 6.3MM	\$11.53	EA
754 HIGH PRESSURE SEAL 130MM	130.0MM X 124MM X 7.6MM STEP	\$23.06	EA
754 HIGH PRESSURE SEAL 135MM	135.0MM X 114.0MM X 8.1MM	\$15.54	EA
754 HIGH PRESSURE SEAL 140MM	140.0MM X 124.5MM X 6.3MM	\$17.70	EA
754 HIGH PRESSURE SEAL 140MM	140.0MM X 118MM X 8.1MM	\$34.74	EA
754 HIGH PRESSURE SEAL 140MM	145MM X 123MM X 7.9MM	\$18.00	EA
754 HIGH PRESSURE SEAL 150MM	150.0MM X 129.0MM X 8.1MM	\$18.00	EA
754 HIGH PRESSURE SEAL 160MM	160.0MM X 139.0MM X 8.1MM	\$18.70	EA
754 HIGH PRESSURE SEAL 165MM	165.0MM X 144.0MM X 8.1MM	\$19.20	EA
754 HIGH PRESSURE SEAL 170MM	170.0MM X 160.0MM X 8.1MM	\$10.53	EA
754 HIGH PRESSURE SEAL 180MM	180.0MM X 170.0MM X 8.1MM	\$15.29	EA
754 HIGH PRESSURE SEAL 190MM	190.0MM X 180.0MM X 8.1MM	\$15.84	EA
754 HIGH PRESSURE SEAL 200MM	200.0MM X 179.0MM X 8.1MM	\$21.41	EA
754 HIGH PRESSURE SEAL 210MM	210.0MM X 200.0MM X 8.1MM	\$17.20	EA
754 HIGH PRESSURE SEAL 220MM	220.0MM X 199.0MM X 8.1MM	\$30.58	EA

Precision Seals, Inc.
820 Honeysuckle Drive
Fultondale, AL 35068

SALES OFFICE HOURS
7 A.M. TO 5 P.M. CST
www.precisionseals.com

PHONE 205-631-7006
FAX 205-631-7032
TOLL FREE 800-233-8585

ITEM DESCRIPTION	OD X ID X HT DIMENSIONS	SALES PRICE	UOM
<i>754 HIGH PRESSURE SEAL 225MM</i>	225.0MM X 204.0MM X 8.1MM	\$25.07	EA
<i>754 HIGH PRESSURE SEAL 240MM</i>	240.0MM X 230.0MM X 8.1MM	\$21.96	EA
<i>754 HIGH PRESSURE SEAL 250MM</i>	250.0MM X 240.0MM X 8.1MM	\$22.31	EA
<i>754 HIGH PRESSURE SEAL 260MM</i>	260.0MM X 235.0MM X 9.8MM	\$95.49	EA

**QUALITY AND
RELIABLE
SERVICE! LOW
SHIPPING
COSTS!**

Piston Seals

TECHNICAL DETAILS

OPERATING CONDITIONS

MAXIMUM SPEED
TEMPERATURE RANGE
MAXIMUM PRESSURE

1.5 m/sec
-40°C +120°C
500 bar

4.5 ft/sec
-40°F + 250°F
7500 p.s.i.

MAXIMUM EXTRUSION GAP

PRESSURE bar
MAXIMUM GAP mm
PRESSURE p.s.i.
MAXIMUM GAP in

160	250	400	500
1.0	0.8	0.6	0.5
2400	3750	6000	7500
0.040	0.030	0.024	0.020

SURFACE ROUGHNESS

DYNAMIC SEALING FACE Ød_1
STATIC SEALING FACE Ød_1
STATIC HOUSING FACES L_1

μmRa	μmRt	μinCLA	μinRMS
0.1 ↔ 0.4	4 max	4 ↔ 16	5 ↔ 18
1.6 max	10 max	63 max	70 max
3.2 max	16 max	125 max	140 max

CHAMFERS & RADII

GROOVE SECTION $\leq S$ mm
MIN CHAMFER C mm
MAX FILLET RAD r_1 mm
GROOVE SECTION $\leq S$ in
MIN CHAMFER C in
MAX FILLET RAD r_1 in

7.0	7.5	11.5	14.0
4.0	5.0	7.0	8.0
0.8	0.8	0.8	0.8
0.187	0.240	0.365	0.470
0.160	0.200	0.250	0.280
0.016	0.016	0.035	0.035

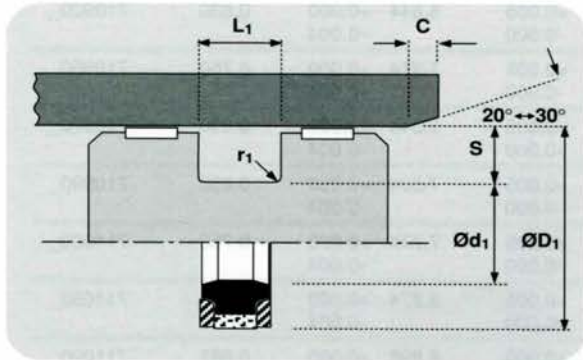
TOLERANCES

mm
in
 Ød_1 in
 $^*\text{Ød}_1$ Tol =
***NB**

Ød_1	Ød_1	L_1
H9	+0 -0.2	+0.2 -0
H9	*see below +0.01 -0	
≤ 3.000	≤ 4.500	≥ 4.500
+0 - 0.002	+0 - 0.003	+0 - 0.004
Part numbers 710600_ and 710800_ Tol = ± 0.003		



735



MATERIALS

Please ensure the correct part number is used for the required cap ring.

PTFE, 40% bronze
Last digit of part no. _____ 0

or
PTFE, 15% glass 5% MoS₂
Last digit of part no. _____ 1

Products suffixed † are designed to suit popular Asian housings

For information about other material options available, please contact your local Hallite Seals office.

DESIGN

Hallite's 735 is a compact double acting piston seal assembly designed for one piece pistons and is suitable for low to high pressure, medium to heavy duty applications. The assembly comprises as standard a self lubricating wear resistant bronze filled or glass / MoS₂ filled PTFE cap ring, which is loaded by a NBR energiser. Thermoplastic split anti-extrusion rings support the seal on both sides and prevent contamination of the the energiser and cap ring.

Hallite's 735 piston seal is designed to be used in a variety of equipment and is particularly suited to use in earthmoving and other off-highway equipment.

The range consists of seals to suit popular North American and Asian housings.

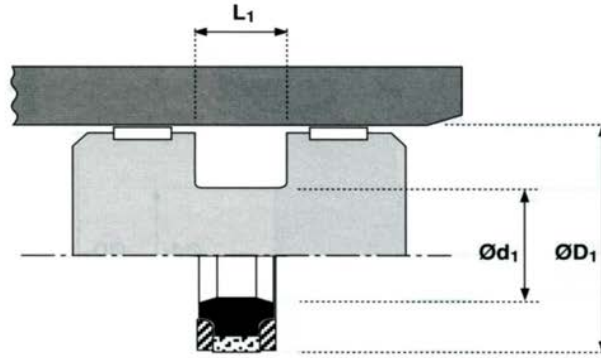
FEATURES

- HIGH PRESSURE
- HEAVY DUTY
- PTFE CAP RING
- COMPACT DESIGN
- LOW FRICTION
- LONG LIFE
- RANGE OF MATERIAL OPTIONS TO EXTEND SERVICE TEMPERATURE RANGE

Piston seals

735

metric



TYPE 735 CAPPED T-SEALS

ITEM DESCRIPTION	OD X ID X HT DIMENSIONS	SALES PRICE	UOM
735 CAPPED T SEAL 50MM	50MM X 36MM X 9.0MM	\$26.67	EA
735 CAPPED T SEAL 50MM	50MM X 40MM X 7.5MM	\$15.12	EA
735 CAPPED T SEAL 60MM	60MM X 46MM X 9.0MM	\$28.08	EA
735 CAPPED T SEAL 63MM	63MM X 48MM X 11MM	\$61.42	EA
735 CAPPED T SEAL 65MM	65MM X 50MM X 11MM	\$24.30	EA
735 CAPPED T SEAL 70MM	70MM X 55MM X 11MM	\$28.93	EA
735 CAPPED T SEAL 70MM	70MM X 60MM X 7.5MM	\$33.78	EA
735 CAPPED T SEAL 75MM	75MM X 60MM X 11MM	\$30.48	EA
735 CAPPED T SEAL 80MM	80MM X 65MM X 11MM	\$31.34	EA
735 CAPPED T SEAL 80MM	80MM X 65MM X 12MM	\$44.24	EA
735 CAPPED T SEAL 85MM	85MM X 70MM X 11MM	\$32.44	EA
735 CAPPED T SEAL 90MM	90MM X 75MM X 11MM	\$36.40	EA
735 CAPPED T SEAL 90MM	90MM X 75MM X 12.5MM	\$47.82	EA
735 CAPPED T SEAL 95MM	95MM X 80MM X 11MM	\$38.05	EA
735 CAPPED T SEAL 100MM	100MM X 85MM X 12.5MM	\$40.86	EA
735 CAPPED T SEAL 105MM	105MM X 90MM X 12.5MM	\$42.72	EA
735 CAPPED T SEAL 110MM	110MM X 95MM X 12.5MM	\$44.37	EA
735 CAPPED T SEAL 115MM	115MM X 100MM X 12.5MM	\$45.52	EA
735 CAPPED T SEAL 120MM	120MM X 100MM X 15.5MM	\$76.03	EA
735 CAPPED T SEAL 120MM	120MM X 105MM X 12.5MM	\$47.18	EA
735 CAPPED T SEAL 125MM	125MM X 102MM X 16.0MM	\$65.43	EA
735 CAPPED T SEAL 130MM	130MM X 107MM X 16.0MM	\$67.13	EA

310

Precision Seals, Inc.
820 Honeysuckle Drive
Fultondale, AL 35068

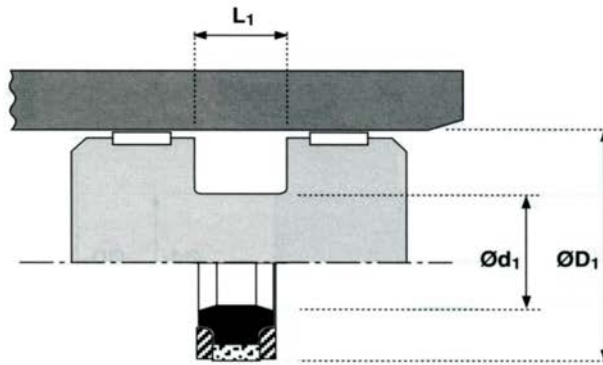
SALES OFFICE HOURS
7 A.M. TO 5 P.M. CST
www.precisionseals.com

PHONE 205-631-7006
FAX 205-631-7032
TOLL FREE 800-233-8585

Piston seals

735

metric



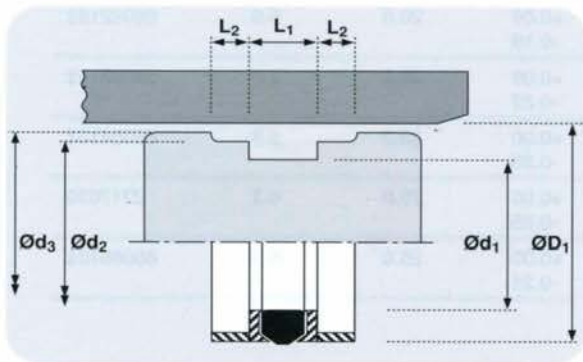
ITEM DESCRIPTION	OD X ID X HT DIMENSIONS	SALES PRICE	UOM
735 CAPPED T SEAL 140MM	140MM X 117MM X 16.0MM	\$71.04	EA
735 CAPPED T SEAL 145MM	145MM X 122MM X 16.0MM	\$73.30	EA
735 CAPPED T SEAL 150MM	150MM X 127MM X 16.0MM	\$75.00	EA
735 CAPPED T SEAL 160MM	160MM X 137MM X 16.0MM	\$56.89	EA
735 CAPPED T SEAL 165MM	165MM X 142MM X 16.0MM	\$82.98	EA
735 CAPPED T SEAL 170MM	170MM X 147MM X 16.0MM	\$58.23	EA
735 CAPPED T SEAL 175MM	175MM X 152MM X 16.0MM	\$154.71	EA
735 CAPPED T SEAL 180MM	180MM X 157MM X 16.0MM	\$88.74	EA
735 CAPPED T SEAL 180MM	180MM X 160MM X 16.0MM	\$92.50	EA
735 CAPPED T SEAL 185MM	185MM X 162MM X 16.0MM	\$90.85	EA
735 CAPPED T SEAL 190MM	190MM X 167MM X 16.0MM	\$92.55	EA
735 CAPPED T SEAL 200MM	200MM X 177MM X 16.0MM	\$97.16	EA
735 CAPPED T SEAL 210MM	210MM X 187MM X 16.0MM	\$103.88	EA
735 CAPPED T SEAL 220MM	220MM X 197MM X 16.0MM	POR	EA
735 CAPPED T SEAL 225MM	225MM X 202MM X 16.0MM	POR	EA
735 CAPPED T SEAL 230MM	230MM X 207MM X 16.0MM	POR	EA
735 CAPPED T SEAL 240MM	240MM X 217MM X 16.0MM	POR	EA
735 CAPPED T SEAL 250MM	250MM X 222MM X 17.5MM	POR	EA
735 CAPPED T SEAL 260MM	260MM X 232MM X 17.5MM	POR	EA
735 CAPPED T SEAL 280MM	280MM X 252MM X 17.5MM	POR	EA
735 CAPPED T SEAL 330MM	330MM X 302MM X 17.5MM	POR	EA

Piston seals

TECHNICAL DETAILS		METRIC		INCH	
OPERATING CONDITIONS					
MAXIMUM SPEED	0.5 m/sec			1.5 ft/sec	
TEMPERATURE RANGE	-30°C + 100°C			-22°F + 212°F	
MAXIMUM PRESSURE	350 bar			5000 p.s.i.	
SURFACE ROUGHNESS					
DYNAMIC SEALING FACE $\varnothing d_1$	μmRa	μmRt	μinCLA		μinRMS
STATIC SEALING FACE $\varnothing d_1$ $\varnothing d_2$	0.1 ↔ 0.4	4 max	4 ↔ 16	5 ↔ 18	
STATIC HOUSING FACES $\varnothing d_3$ L_1 L_2	1.6 max	10 max	63 max	70 max	
	3.2 max	16 max	125 max	140 max	
CHAMFERS & RADII					
GROOVE SECTION $\leq S$ mm	4.0	5.0	7.5	10.0	
MIN CHAMFER C mm	2.0	2.5	4.0	5.0	
MAX FILLET RAD r_1 mm	0.4	0.4	0.4	0.4	
MAX FILLET RAD r_2 mm	0.4	0.4	0.4	0.4	
TOLERANCES					
	$\varnothing d_1$	$\varnothing d_2$	$\varnothing d_3$	L_1	L_2
mm	H10	h9	h9	h11	+0.35 +0.1 +0.1 -0



50



DESIGN

The Hallite 50 is a double acting seal designed for light duty applications using either one piece or split pistons to ISO 6547 housings.

It comprises of a rubber seal, two split support rings and two split bearings, located either side of the seal. The nitrile rubber seal has proved itself to be extremely wear resistant in service. It is designed to be compressed by the housing to ensure a low pressure seal and when pressurised be protected from extrusion damage by the extending lips of the support ring. A tough flexible polymer is used for the support ring which is scarf cut for assembly and to protect the seal from damage.

A rectangular reinforced nylon bearing completes the assembly and provides the seal and piston with support and guidance.

The proportions of this range of piston seals have been determined to give a satisfactory performance when used with the recommended operating conditions.

Note : Other sizes of this design of seal are shown under Hallite 53, 64 and 68.

FEATURES

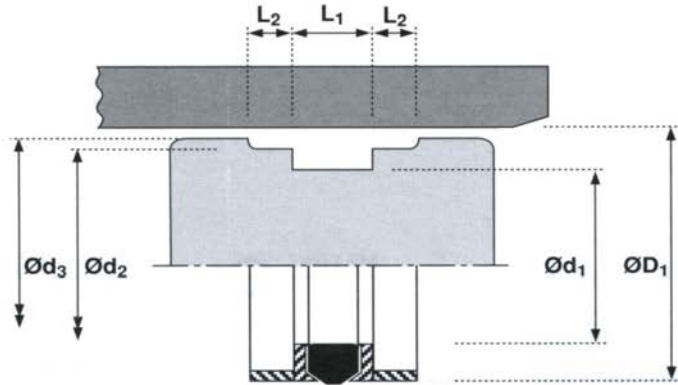
- COMPACT GROOVE DESIGN
- EASY ASSEMBLY
- POSITIVE NO DRIFT SEAL

NB: Part numbers suffixed by "‡" indicate housing sizes to meet ISO 6547.

Piston seals

50

metric



TYPE 50 PISTON SEAL 5/PC

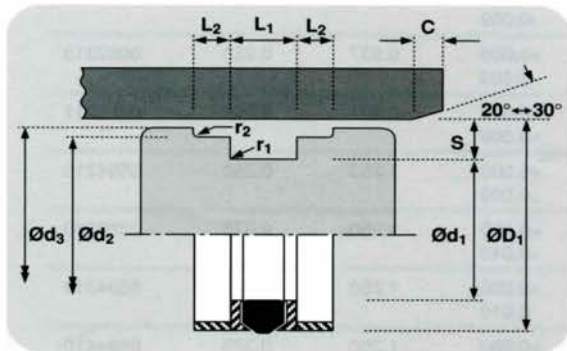
ITEM DESCRIPTION	OD X ID X HT DIMENSIONS	SALES PRICE	UOM
50 METRIC PISTON SEAL 5/PC 25MM	25MM X 17MM X 10.0MM	\$29.04	EA
50 METRIC PISTON SEAL 5/PC 32MM	32MM X 24MM X 10.0MM	\$31.44	EA
50 METRIC PISTON SEAL 5/PC 40MM	40MM X 32MM X 10.0MM	\$33.88	EA
50 METRIC PISTON SEAL 5/PC 50MM	50MM X 40MM X 12.5MM	\$36.27	EA
50 METRIC PISTON SEAL 5/PC 63MM	63MM X 53MM X 12.5MM	\$38.69	EA
50 METRIC PISTON SEAL 5/PC 80MM	80MM X 65MM X 20.0MM	\$45.96	EA
50 METRIC PISTON SEAL 5/PC 100MM	100MM X 85MM X 20.0MM	\$61.08	EA
50 METRIC PISTON SEAL 5/PC 125MM	125MM X 105MM X 25.0MM	\$79.80	EA
50 METRIC PISTON SEAL 5/PC 140MM	140MM X 120MM X 25.0MM	\$77.03	EA
50 METRIC PISTON SEAL 5/PC 150MM	150MM X 120MM X 36.0MM	\$95.13	EA
50 METRIC PISTON SEAL 5/PC 160MM	160MM X 140MM X 25.0MM	\$113.65	EA

Need help finding an item, give us a call.

We will be happy to help!

Piston seals

TECHNICAL DETAILS		METRIC		INCH		
OPERATING CONDITIONS						
MAXIMUM SPEED	0.5 m/sec			1.5 ft/sec		
TEMPERATURE RANGE	-30°C + 100°C			-22°F + 212°F		
MAXIMUM PRESSURE	500 bar			7500 p.s.i.		
SURFACE ROUGHNESS						
DYNAMIC SEALING FACE $\text{Ø}d_1$	μmRa	μmRt	μinCLA		μinRMS	
STATIC SEALING FACE $\text{Ø}d_1$ $\text{Ø}d_2$	0.1 ↔ 0.4	4 max	4 ↔ 16	5 ↔ 18		
STATIC SEALING FACE $\text{Ø}d_1$ $\text{Ø}d_2$	1.6 max	10 max	63 max	70 max		
STATIC HOUSING FACES $\text{Ø}d_3$ L_1 L_2	3.2 max	16 max	125 max	140 max		
CHAMFERS & RADII						
GROOVE SECTION $\leq S$ mm	5.0	7.5	8.0	10.0	12.5	15.0
MIN CHAMFER C mm	2.4	4.0	5.0	5.0	6.5	7.5
MAX FILLET RAD r_1 mm	0.4	0.4	0.4	0.4	0.8	0.8
MAX FILLET RAD r_2 mm	0.4	0.4	0.4	0.4	0.8	0.8
GROOVE SECTION $\leq S$ in	0.312	0.375	0.500			
MIN CHAMFER C in	0.156	0.187	0.217			
MAX FILLET RAD r_1 in	0.16	0.16	0.32			
MAX FILLET RAD r_2 in	0.16	0.16	0.32			
TOLERANCES						
	$\text{Ø}d_1$	$\text{Ø}d_1$	$\text{Ø}d_2$	$\text{Ø}d_3$	L_1	L_2
mm	H11	h10	f9	h11	+0.4 +0.15	+0.1 -0
in	H11	h10	f9	h11	+0.016 +0.005	+0.004 -0



DESIGN

A robust assembly designed specifically for one piece pistons, the Hallite 53 double acting seal uses a rubber sealing element which has proved itself in service to be extremely wear resistant and capable of working most effectively in a wide variety of medium duty applications. The seal is also suitable for two piece pistons.

The assembly comprises a rubber seal, two split support rings and two split bearings, one of each located either side of the seal.

The nitrile rubber seal is designed to have its section compressed by the housing, to ensure a low pressure seal and, when pressurised be protected from extrusion damage by the extending lips of the support ring. The support ring is manufactured from a tough flexible polymer and scarf cut for assembly.

The proportions of the range have been determined to give a satisfactory performance when used with the recommended operating conditions.

Note : Other sizes of this design are shown under Hallite 50, 64 and 68. Also see Hallite 753 for interchangeable sizes.

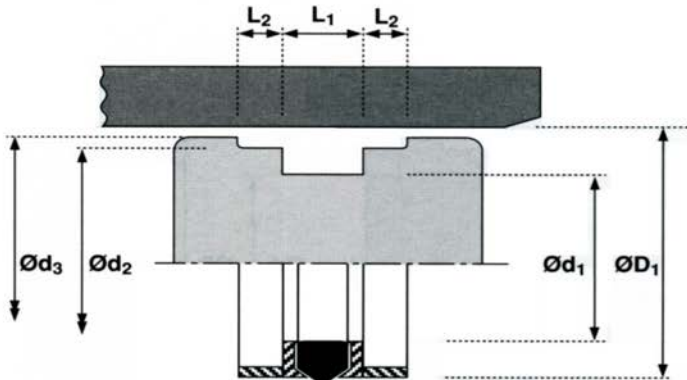
FEATURES

- WELL PROVEN DESIGN
- LONG LIFE

Piston seals

53

metric



TYPE 53 PISTON SEAL 5/PC

ITEM DESCRIPTION	OD X ID X HT DIMENSIONS	SALES PRICE	UOM
53 METRIC PISTON SEAL 25MM	25.0MM X 17.0MM X 8.0MM	\$17.70	EA
53 METRIC PISTON SEAL 32MM	32.0MM X 22.0MM X 10.0MM	\$25.34	EA
53 METRIC PISTON SEAL 40MM	40.0MM X 30.0MM X 10.0MM	\$24.57	EA
53 METRIC PISTON SEAL 45MM	45.0MM X 35.0MM X 16.4MM	\$27.37	EA
53 METRIC PISTON SEAL 50MM	50.0MM X 35.0MM X 15.0MM	\$39.46	EA
53 METRIC PISTON SEAL 55MM	55.0MM X 39.0MM X 18.0MM	\$37.88	EA
53 METRIC PISTON SEAL 60MM	60.0MM X 44.0MM X 18.0MM	\$41.08	EA
53 METRIC PISTON SEAL 63MM	63.0MM X 47.0MM X 20.5MM	\$43.96	EA
53 METRIC PISTON SEAL 65MM	65.0MM X 50.0MM X 18.0MM	\$44.98	EA
53 METRIC PISTON SEAL 70MM	70.0MM X 50.0MM X 22.0MM	\$35.15	EA
53 METRIC PISTON SEAL 75MM	75.0MM X 55.0MM X 22.0MM	\$36.20	EA
53 METRIC PISTON SEAL 80MM	80.0MM X 60.0MM X 22.0MM	\$43.76	EA
53 METRIC PISTON SEAL 85MM	85.0MM X 65.0MM X 22.0MM	\$57.61	EA
53 METRIC PISTON SEAL 90MM	90.0MM X 70.0MM X 22.0MM	\$59.24	EA
53 METRIC PISTON SEAL 95MM	95.0MM X 75.0MM X 22.0MM	\$60.12	EA
53 METRIC PISTON SEAL 100MM	100.0MM X 75.0MM X 22.0MM	\$70.75	EA
53 METRIC PISTON SEAL 100MM	100.0MM X 80.0MM X 22.0MM	\$61.56	EA
53 METRIC PISTON SEAL 105MM	105.0MM X 80.0MM X 22.0MM	\$71.86	EA
53 METRIC PISTON SEAL 110MM	110.0MM X 85.0MM X 22.0MM	\$56.74	EA

Precision Seals, Inc.
820 Honeysuckle Drive
Fultondale, AL 35068

SALES OFFICE HOURS
7 A.M. TO 5 P.M. CST
www.precisionseals.com

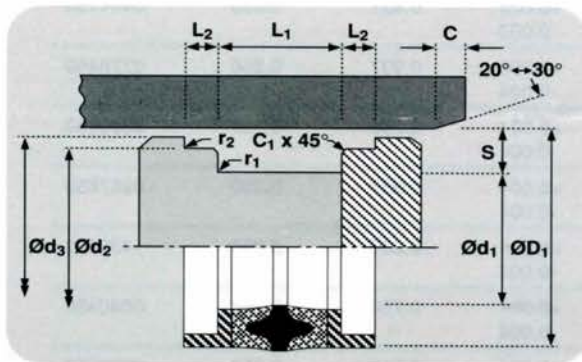
PHONE 205-631-7006 315
FAX 205-631-7032
TOLL FREE 800-233-8585

ITEM DESCRIPTION	OD X ID X HT DIMENSIONS	SALES PRICE	UOM
53 METRIC PISTON SEAL 115MM	115.0MM X 90.0MM X 22.0MM	\$57.25	EA
53 METRIC PISTON SEAL 120MM	120.0MM X 95.0MM X 22.0MM	\$58.41	EA
53 METRIC PISTON SEAL 125MM	125.0MM X 100.0MM X 25.0MM	\$57.21	EA
53 METRIC PISTON SEAL 130MM	130.0MM X 105.0MM X 25.0MM	\$59.58	EA
53 METRIC PISTON SEAL 135MM	135.0MM X 110.0MM X 25.0MM	\$68.84	EA
53 METRIC PISTON SEAL 140MM	140.0MM X 115.0MM X 25.0MM	\$74.01	EA
53 METRIC PISTON SEAL 145MM	145.0MM X 120.0MM X 25.0MM	\$79.31	EA
53 METRIC PISTON SEAL 150MM	150.0MM X 125.0MM X 25.0MM	\$115.22	EA
53 METRIC PISTON SEAL 155MM	155.0MM X 130.0MM X 25.0MM	\$122.46	EA
53 METRIC PISTON SEAL 160MM	160.0MM X 135.0MM X 25.0MM	\$129.75	EA
53 METRIC PISTON SEAL 165MM	165.0MM X 140.0MM X 25.0MM	\$97.30	EA
53 METRIC PISTON SEAL 170MM	170.0MM X 145.0MM X 25.0MM	\$134.21	EA
53 METRIC PISTON SEAL 175MM	175.0MM X 150.0MM X 25.0MM	\$110.25	EA
53 METRIC PISTON SEAL 180MM	180.0MM X 155.0MM X 25.0MM	\$147.58	EA
53 METRIC PISTON SEAL 185MM	185.0MM X 160.0MM X 25.0MM	\$153.98	EA
53 METRIC PISTON SEAL 190MM	190.0MM X 165.0MM X 25.0MM	\$160.44	EA
53 METRIC PISTON SEAL 195MM	195.0MM X 170.0MM X 25.0MM	\$167.17	EA
53 METRIC PISTON SEAL 200MM	200.0MM X 170.0MM X 30.0MM	\$173.76	EA
53 METRIC PISTON SEAL 200MM	200.0MM X 175.0MM X 25.0MM	\$173.76	EA
53 METRIC PISTON SEAL 200MM	200.0MM X 175.0MM X 31.5MM	\$168.70	EA
53 METRIC PISTON SEAL 220MM	220.0MM X 190.0MM X 30.0MM	\$200.27	EA
53 METRIC PISTON SEAL 250MM	250.0MM X 220.0MM X 30.0MM	\$239.82	EA
53 METRIC PISTON SEAL 250MM	250.0MM X 220.0MM X 35.4MM	\$244.37	EA
53 METRIC PISTON SEAL 280MM	280.0MM X 250.0MM X 30.0MM	\$279.51	EA

Piston seals

TECHNICAL DETAILS		METRIC		INCH		
OPERATING CONDITIONS						
MAXIMUM SPEED	0.5 m/sec			1.5 ft/sec		
TEMPERATURE RANGE	-30°C + 100°C			-22°F + 212°F		
MAXIMUM PRESSURE	700 bar			10,000 p.s.i.		
SURFACE ROUGHNESS						
DYNAMIC SEALING FACE $\varnothing D_1$	μmRa	μmRt	μinCLA		μinRMS	
STATIC SEALING FACE $\varnothing d_1$ $\varnothing d_2$	0.1 ↔ 0.4	4 max	4 ↔ 16		5 ↔ 18	
STATIC HOUSING FACES $\varnothing d_3$ L_1 L_2	1.6 max	10 max	63 max		70 max	
	3.2 max	16 max	125 max		140 max	
CHAMFERS & RADII						
GROOVE SECTION $\leq S$ mm	5.0	7.5	10.0	12.5	15.0	
MIN CHAMFER C mm	2.5	4.0	5.0	6.5	7.5	
MIN CHAMFER C_1 mm	1.0	1.0	1.0	1.5	1.5	
MAX FILLET RAD r_1 mm	0.2	0.2	0.2	0.4	0.4	
MAX FILLET RAD r_2 mm	0.2	0.2	0.2	0.4	0.4	
GROOVE SECTION $\leq S$ in	0.187	0.250	0.312	0.375	0.500	
MIN CHAMFER C in	0.093	0.125	0.156	0.187	0.217	
MIN CHAMFER C_1 in	0.032	0.032	0.032	0.062	0.062	
MAX FILLET RAD r_1 in	0.008	0.008	0.008	0.008	0.016	
MAX FILLET RAD r_2 in	0.008	0.008	0.008	0.008	0.016	
TOLERANCES						
	$\varnothing D_1$	$\varnothing d_1$	$\varnothing d_2$	$\varnothing d_3$	L_1	L_2
mm	H11	js11	h9	js11	+0.25 -0	0 -0.15
in	H11	js11	h9	js11	+0.035 +0.025	0 -0.005

85



FEATURES

- WELL PROVEN DESIGN
- TOLERANT TO CONTAMINATION
- HIGH PRESSURE CAPABILITY

DESIGN

The Hallite 58 double acting piston seal combines the Hallite 56 seal with bearing rings to give a very robust heavy duty seal assembly for split pistons. It enables the designer to use larger clearances and, with the integral bearing rings, to restrict the piston length.

The assembly comprises a seal and two L shaped bearings. The centre of the seal is rubber which is bonded to two 'U' section bases of rubberised fabric, and is compressed by the housing to obtain an effective low pressure seal. When the pressure increases the rubber energises the 'U' section and deforms it to the housing, increasing the sealing area and improving the seal.

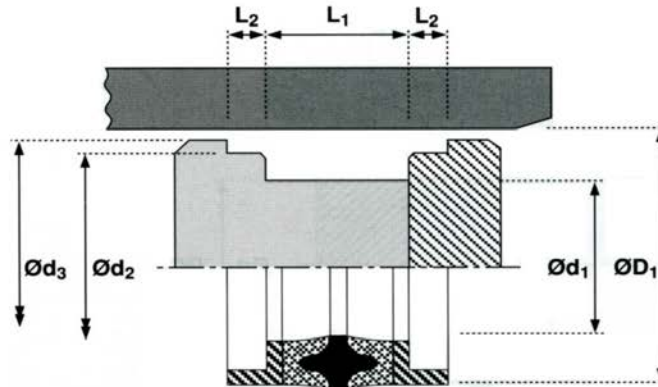
Rubberised fabric is used to protect the rubber, because it has strength and durability which combines with its ability to retain lubricant to help keep friction low and reduce wear.

Supporting the seal at either end is a polyacetal bearing proportioned to react to the pressure on the seal to prevent extrusion damage, and support the piston and its side load.

Piston seals

58

metric



TYPE 58 PISTON SEAL 3/PC

ITEM DESCRIPTION	OD X ID X HT DIMENSIONS	SALES PRICE	UOM
58 METRIC PISTON SEAL 3/PC 25MM	25MM X 12MM X 19.0MM	\$27.84	EA
58 METRIC PISTON SEAL 3/PC 25MM	25MM X 15MM X 15.5MM	\$27.55	EA
58 METRIC PISTON SEAL 3/PC 32MM	32MM X 17MM X 24.0MM	\$28.42	EA
58 METRIC PISTON SEAL 3/PC 32MM	32MM X 22MM X 15.5MM	\$29.59	EA
58 METRIC PISTON SEAL 3/PC 40MM	40MM X 25MM X 24.0MM	\$32.31	EA
58 METRIC PISTON SEAL 3/PC 45MM	45MM X 26MM X 31.0MM	\$34.06	EA
58 METRIC PISTON SEAL 3/PC 50MM	50MM X 30MM X 31.0MM	\$35.15	EA
58 METRIC PISTON SEAL 3/PC 50MM	50MM X 34MM X 18.2MM	\$34.06	EA
58 METRIC PISTON SEAL 3/PC 50MM	50MM X 35MM X 24.0MM	\$35.04	EA
58 METRIC PISTON SEAL 3/PC 55MM	55MM X 40MM X 24.0MM	\$36.39	EA
58 METRIC PISTON SEAL 3/PC 60MM	60MM X 40MM X 31.0MM	\$38.02	EA
58 METRIC PISTON SEAL 3/PC 60MM	60MM X 44MM X 18.0MM	\$36.79	EA
58 METRIC PISTON SEAL 3/PC 63MM	63MM X 43MM X 31.0MM	\$38.97	EA
58 METRIC PISTON SEAL 3/PC 63MM	63MM X 47MM X 19.0MM	\$38.13	EA
58 METRIC PISTON SEAL 3/PC 63MM	63MM X 48MM X 24.0MM	\$38.58	EA
58 METRIC PISTON SEAL 3/PC 65MM	65MM X 50MM X 18.2MM	\$38.42	EA
58 METRIC PISTON SEAL 3/PC 65MM	65MM X 50MM X 24.0MM	\$38.57	EA

TYPE 58 PISTON SEAL 3/PC

ITEM DESCRIPTION	OD X ID X HT DIMENSIONS	SALES PRICE	UOM
58 METRIC PISTON SEAL 3/PC 70MM	70MM X 50MM X 31.0MM	\$40.75	EA
58 METRIC PISTON SEAL 3/PC 75MM	75MM X 55MM X 22.0MM	\$40.86	EA
58 METRIC PISTON SEAL 3/PC 75MM	75MM X 55MM X 31.0MM	\$42.09	EA
58 METRIC PISTON SEAL 3/PC 80MM	80MM X 60MM X 22.0MM	\$42.20	EA
58 METRIC PISTON SEAL 3/PC 80MM	80MM X 60MM X 31.0MM	\$42.82	EA
58 METRIC PISTON SEAL 3/PC 85MM	85MM X 65MM X 22.0MM	\$43.58	EA
58 METRIC PISTON SEAL 3/PC 85MM	85MM X 65MM X 31.0MM	\$45.07	EA
58 METRIC PISTON SEAL 3/PC 90MM	90MM X 70MM X 31.0MM	\$45.73	EA
58 METRIC PISTON SEAL 3/PC 95MM	95MM X 75MM X 31.0MM	\$47.04	EA
58 METRIC PISTON SEAL 3/PC 100MM	100MM X 75MM X 22.0MM	\$47.11	EA
58 METRIC PISTON SEAL 3/PC 100MM	100MM X 75MM X 26.0MM	\$47.04	EA
58 METRIC PISTON SEAL 3/PC 100MM	100MM X 80MM X 31.0MM	\$48.38	EA
58 METRIC PISTON SEAL 3/PC 105MM	105MM X 80MM X 38.0MM	\$50.63	EA
58 METRIC PISTON SEAL 3/PC 110MM	110MM X 85MM X 22.0MM	\$49.98	EA
58 METRIC PISTON SEAL 3/PC 110MM	110MM X 85MM X 25.0MM	\$51.00	EA
58 METRIC PISTON SEAL 3/PC 110MM	110MM X 90MM X 31.0MM	\$52.27	EA
58 METRIC PISTON SEAL 3/PC 115MM	115MM X 95MM X 31.0MM	\$58.38	EA
58 METRIC PISTON SEAL 3/PC 120MM	120MM X 100MM X 31.0MM	\$64.37	EA
58 METRIC PISTON SEAL 3/PC 125MM	125MM X 100MM X 25.0MM	\$63.83	EA
58 METRIC PISTON SEAL 3/PC 125MM	125MM X 100MM X 38.0MM	\$71.72	EA
58 METRIC PISTON SEAL 3/PC 130MM	130MM X 104MM X 38.0MM	\$76.99	EA
58 METRIC PISTON SEAL 3/PC 130MM	130MM X 105MM X 25.0MM	\$69.64	EA
58 METRIC PISTON SEAL 3/PC 135MM	135MM X 110MM X 38.0MM	\$83.64	EA
58 METRIC PISTON SEAL 3/PC 140MM	140MM X 115MM X 25.0MM	\$81.86	EA
58 METRIC PISTON SEAL 3/PC 140MM	140MM X 120MM X 31.0MM	\$88.51	EA
58 METRIC PISTON SEAL 3/PC 145MM	145MM X 125MM X 31.0MM	\$93.13	EA
58 METRIC PISTON SEAL 3/PC 150MM	150MM X 120MM X 44.0MM	\$102.36	EA
58 METRIC PISTON SEAL 3/PC 150MM	150MM X 125MM X 25.0MM	\$93.96	EA
58 METRIC PISTON SEAL 3/PC 150MM	150MM X 125MM X 38.0MM	\$105.19	EA
58 METRIC PISTON SEAL 3/PC 150MM	150MM X 125MM X 45.0MM	\$105.88	EA

Precision Seals, Inc.
820 Honeysuckle Drive
Fultondale, AL 35068

SALES OFFICE HOURS
7 A.M. TO 5 P.M. CST
www.precisionseals.com

PHONE 205-631-7006 319
FAX 205-631-7032
TOLL FREE 800-233-8585

TYPE 58 PISTON SEAL 3/PC

ITEM DESCRIPTION	OD X ID X HT DIMENSIONS	SALES PRICE	UOM
58 METRIC PISTON SEAL 3/PC 160MM	160MM X 130MM X 25.0MM	\$102.90	EA
58 METRIC PISTON SEAL 3/PC 160MM	160MM X 135MM X 38.0MM	\$113.77	EA
58 METRIC PISTON SEAL 3/PC 160MM	160MM X 140MM X 31.0MM	\$112.54	EA
58 METRIC PISTON SEAL 3/PC 170MM	170MM X 140MM X 25.0MM	\$114.86	EA
58 METRIC PISTON SEAL 3/PC 170MM	170MM X 150MM X 31.0MM	\$124.64	EA
58 METRIC PISTON SEAL 3/PC 180MM	180MM X 150MM X 35.0MM	\$133.07	EA
58 METRIC PISTON SEAL 3/PC 180MM	180MM X 160MM X 31.0MM	\$136.60	EA
58 METRIC PISTON SEAL 3/PC 190MM	190MM X 160MM X 44.0MM	\$150.59	EA
58 METRIC PISTON SEAL 3/PC 200MM	200MM X 170MM X 35.2MM	\$157.35	EA
58 METRIC PISTON SEAL 3/PC 200MM	200MM X 170MM X 44.0MM	\$162.66	EA
58 METRIC PISTON SEAL 3/PC 200MM	200MM X 175MM X 38.0MM	\$162.12	EA
58 METRIC PISTON SEAL 3/PC 210MM	210MM X 180MM X 31.7MM	\$167.28	EA
58 METRIC PISTON SEAL 3/PC 220MM	220MM X 200MM X 31.0MM	\$184.91	EA
58 METRIC PISTON SEAL 3/PC 250MM	250MM X 220MM X 44.0MM	\$222.96	EA
58 METRIC PISTON SEAL 3/PC 280MM	280MM X 250MM X 44.0MM	\$259.20	EA
58 METRIC PISTON SEAL 3/PC 285MM	285MM X 255MM X 44.0MM	\$341.39	EA

***Please feel free to call for
further assistance.***

All customers HIGH priority!

320 Precision Seals, Inc.
820 Honeysuckle Drive
Fultondale, AL 35068

SALES OFFICE HOURS
7 A.M. TO 5 P.M. CST
www.precisionseals.com

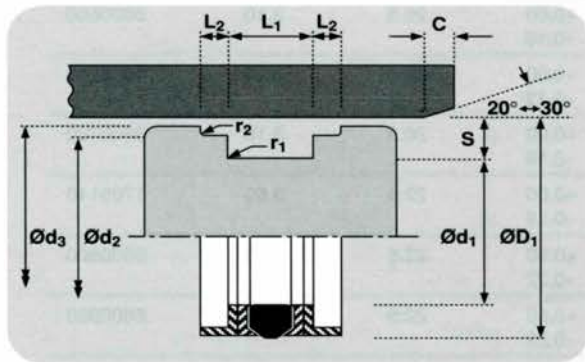
PHONE 205-631-7006
FAX 205-631-7032
TOLL FREE 800-233-8585

Piston seals

TECHNICAL DETAILS		METRIC		INCH	
OPERATING CONDITIONS					
MAXIMUM SPEED	0.5 m/sec			1.5 ft/sec	
TEMPERATURE RANGE	-30°C + 100°C			-22°F + 212°F	
MAXIMUM PRESSURE	400 bar			6000 p.s.i.	
SURFACE ROUGHNESS					
DYNAMIC SEALING FACE $\varnothing d_1$	μmRa	μmRt			μinCLA μinRMS
STATIC SEALING FACE $\varnothing d_1$ $\varnothing d_2$	0.1 ↔ 0.4	4 max			4 ↔ 16 5 ↔ 18
STATIC HOUSING FACES $\varnothing d_3$ L_1 L_2	1.6 max	10 max			63 max 70 max
	3.2 max	16 max			125 max 140 max
CHAMFERS & RADII					
GROOVE SECTION $\leq S$ mm	5.0	7.0	8.0	9.0	11.0 12.5
MIN CHAMFER C mm	2.5	4.0	5.0	5.0	6.5 6.5
MAX FILLET RAD r_1 mm	0.4	0.4	0.4	0.4	0.4 0.4
MAX FILLET RAD r_2 mm	0.2	0.2	0.2	0.2	0.4 0.4
TOLERANCES					
	$\varnothing d_1$	$\varnothing d_1$	$\varnothing d_2$	$\varnothing d_3$	L_1 L_2
mm	H10	h9	h9	h11	+0.2 -0 +0.1 -0



64



FEATURES

- COMPACT SEAL DESIGN
- EASY ASSEMBLY
- POSITIVE NO DRIFT SEAL

DESIGN

A robust seal assembly designed specifically for one piece pistons, the Hallite 64 double acting seal uses a rubber sealing element which has proved itself in service to be extremely wear resistant and capable of working most effectively in a wide variety of medium to heavy duty applications.

The assembly comprises a rubber seal, two split support rings and two split bearings, one of each located either side of the seal. The nitrile rubber seal is designed to have its section compressed by the housing, to ensure a low pressure seal, and when pressurised be protected from extrusion damage by the extending lips of the support ring. The support ring is manufactured from a tough but flexible polymer and scarf cut for assembly.

L section bearings provide the support and guidance for the piston and the other parts of the seal.

For seals up to 90mm diameter $\varnothing d_3$ is not required. Above 90mm diameter the seals benefit from the additional support of the L-section bearings.

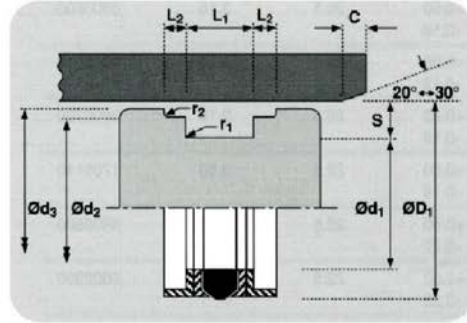
All seals are also suitable for two piece housings.

Note : Other sizes of this design of seal are shown under Hallite 50, 53 and 68. Also see Hallite 753 for interchangeable sizes.

Piston seals

64

metric




TYPE 64 PISTON SEAL 5/PC

ITEM DESCRIPTION	OD X ID X HT DIMENSIONS	SALES PRICE	UOM
64 METRIC PISTON SEAL 32MM	32.0MM X 22.0MM X 15.5MM	\$20.33	EA
64 METRIC PISTON SEAL 40MM	40.0MM X 26.0MM X 15.5MM	\$22.01	EA
64 METRIC PISTON SEAL 50MM	50.0MM X 34.0MM X 20.5MM	\$24.57	EA
64 METRIC PISTON SEAL 55MM	55.0MM X 39.0MM X 20.5MM	\$28.05	EA
64 METRIC PISTON SEAL 60MM	60.0MM X 44.0MM X 20.5MM	\$29.81	EA
64 METRIC PISTON SEAL 63MM	63.0MM X 47.0MM X 20.5MM	\$31.56	EA
64 METRIC PISTON SEAL 65MM	65.0MM X 49.0MM X 20.5MM	\$33.34	EA
64 METRIC PISTON SEAL 70MM	70.0MM X 54.0MM X 20.5MM	\$35.07	EA
64 METRIC PISTON SEAL 80MM	80.0MM X 62.0MM X 22.5MM	\$48.42	EA
64 METRIC PISTON SEAL 90MM	90.0MM X 72.0MM X 22.5MM	\$38.55	EA
64 METRIC PISTON SEAL 100MM	100.0MM X 82.0MM X 22.5MM	\$40.31	EA
64 METRIC PISTON SEAL 110MM	110.0MM X 92.0MM X 22.5MM	\$43.84	EA
64 METRIC PISTON SEAL 125MM	125.0MM X 103.0MM X 26.5MM	\$67.72	EA
64 METRIC PISTON SEAL 140MM	140.0MM X 118.0MM X 26.5MM	\$58.58	EA
64 METRIC PISTON SEAL 160MM	160.0MM X 138.0MM X 26.5MM	\$68.36	EA
64 METRIC PISTON SEAL 250MM	250.0MM X 225.0MM X 31.5MM	\$124.49	EA

Piston seals

TECHNICAL DETAILS

METRIC ○ INCH ●



OPERATING CONDITIONS

MAXIMUM SPEED	0.5 m/sec	1.5 ft/sec
TEMPERATURE RANGE	-30°C + 100°C	-22°F + 212°F
MAXIMUM PRESSURE	200 bar	3000 p.s.i.

SURFACE ROUGHNESS

DYNAMIC SEALING FACE ØD ₁	µmRa	µmRt	µinCLA	µinRMS
STATIC SEALING FACE Ød ₁ Ød ₂	0.1 ↔ 0.4	4 max	4 ↔ 16	5 ↔ 18
STATIC HOUSING FACES Ød ₃ L ₁ L ₂	1.6 max	10 max	63 max	70 max
	3.2 max	16 max	125 max	140 max

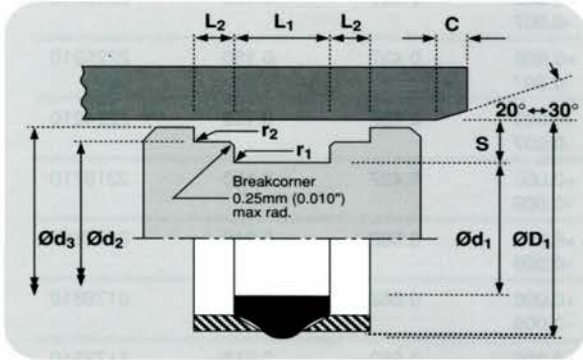
CHAMFERS & RADII

GROOVE SECTION ≤ S mm	3.75	5.00	6.50	8.00	10.00
MIN CHAMFER C mm	2.00	2.50	4.00	5.00	5.00
MAX FILLET RAD r ₁ mm	0.40	0.40	0.40	0.80	0.80
MAX FILLET RAD r ₂ mm	0.20	0.20	0.20	0.40	0.40
GROOVE SECTION ≤ S in	0.156	0.187	0.250	0.312	0.375
MIN CHAMFER C in	0.078	0.093	0.125	0.156	0.187
MAX FILLET RAD r ₁ in	0.016	0.016	0.016	0.032	0.032
MAX FILLET RAD r ₂ in	0.008	0.008	0.008	0.016	0.016

TOLERANCES

	ØD ₁	Ød ₁	Ød ₂	Ød ₃	L ₁	L ₂
mm	H10	h9	h9	h11	+0.4 +0.13	0 -0.13
in	H10	h9	h9	h11	+0.015 +0.005	0 -0.005

65



DESIGN

Ideal for light to medium duty one piece piston applications, the Hallite 65 double acting seal is a simple, effective and economical design for pressures up to 200 bar/3000 p.s.i. Its compact dimensions enable the designer to keep the length of the piston to a minimum.

It is an assembly of a continuous rubber seal and two scarf cut bearings.

The nitrile rubber seal is designed to be pre-loaded by the housing to ensure an effective seal at low pressure. The outward thrust of the rubber seal on the bearings as it reacts to increasing pressure prevents any extrusion damage in the sealing area.

The polyacetal bearings are proportioned to support the piston and its side load.

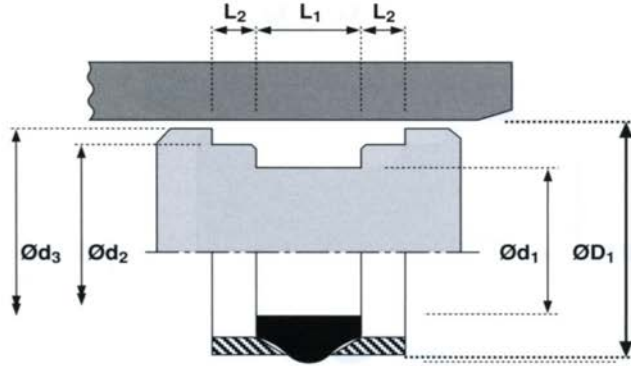
FEATURES

- COMPACT DESIGN
- EASY ASSEMBLY
- LOW WEAR
- LONG LIFE

Piston seals

65

metric



TYPE 65 PISTON SEAL 3/PC			
ITEM DESCRIPTION	OD X ID X HT DIMENSIONS	SALES PRICE	UOM
65 METRIC PISTON SEAL 3/PC 25MM	25MM X 17.5MM X 8.5MM	\$17.92	EA
65 METRIC PISTON SEAL 3/PC 32MM	32MM X 22MM X 11.0MM	\$12.43	EA
65 METRIC PISTON SEAL 3/PC 40MM	40MM X 30MM X 11.0MM	\$20.17	EA
65 METRIC PISTON SEAL 3/PC 50MM	50MM X 40MM X 11.0MM	\$21.55	EA
65 METRIC PISTON SEAL 3/PC 63MM	63MM X 53MM X 11.0MM	\$25.77	EA
65 METRIC PISTON SEAL 3/PC 80MM	80MM X 70MM X 11.0MM	\$28.06	EA
65 METRIC PISTON SEAL 3/PC 100MM	100MM X 87MM X 14.0MM	\$50.85	EA
65 METRIC PISTON SEAL 3/PC 125MM	125MM X 112MM X 14.0MM	\$56.12	EA
65 METRIC PISTON SEAL 3/PC 140MM	140MM X 124MM X 17.5MM	\$64.88	EA
65 METRIC PISTON SEAL 3/PC 160MM	160MM X 140MM X 25.0MM	\$110.50	EA
65 METRIC PISTON SEAL 3/PC 180MM	180MM X 160MM X 25.0MM	\$122.75	EA
65 METRIC PISTON SEAL 3/PC 200MM	200MM X 180MM X 25.0MM	\$126.20	EA

Low minimum of \$10.00 on all orders!

and

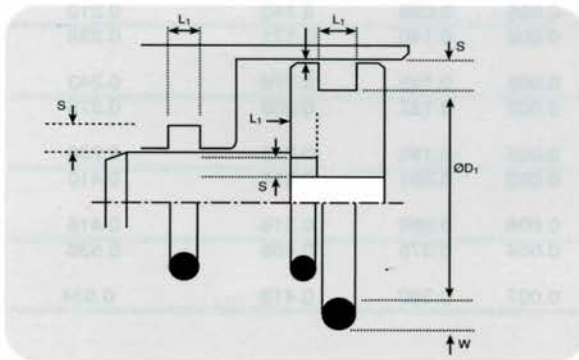
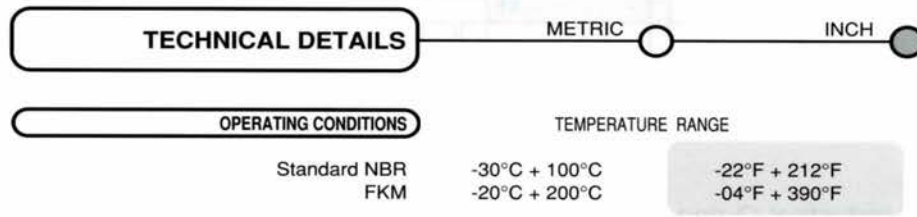
Same day shipping on most orders!

324 Precision Seals, Inc.
820 Honeysuckle Drive
Fultondale, AL 35068

SALES OFFICE HOURS
7 A.M. TO 5 P.M. CST
www.precisionseals.com

PHONE 205-631-7006
FAX 205-631-7032
TOLL FREE 800-233-8585

O-rings



DESIGN

O-rings are a simple but very versatile seal. They are most commonly used for static applications, and for pressures over 1500 p.s.i are used with back-rings (Hallite 480 is recommended).

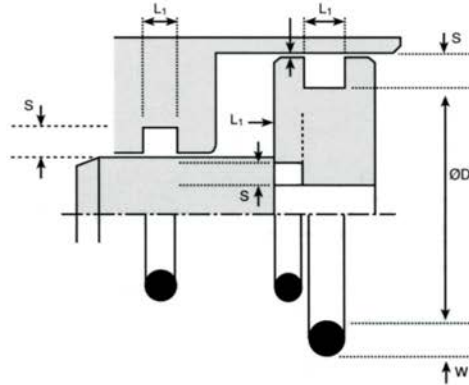
O-rings with sizes to AS-568A are available in NBR 70 and 90 Shore A compounds and in FKM 75 Shore A.

O-rings in NBR and FKM are suitable for use in mineral oil, water and air, FKM O-rings are also suitable for use in most aggressive fluids and in temperatures of up to 200°C/390°F.

O-RINGS

O-RINGS

metric



METRIC O-RINGS			
ITEM DESCRIPTION	ID X CROSS SECTION	SALES PRICE	UOM
2.0X1.0 METRIC NITRILE ORING	2.0MM X 1.0MM ORING	\$0.11	EA
2.7X1.0 METRIC NITRILE ORING	2.7MM X 1.0MM ORING	\$0.11	EA
3.0X1.0 METRIC NITRILE ORING	3.0MM X 1.0MM ORING	\$0.11	EA
3.5X1.0 METRIC NITRILE ORING	3.5MM X 1.0MM ORING	\$0.11	EA
4.0X1.0 METRIC NITRILE ORING	4.0MM X 1.0MM ORING	\$0.11	EA
4.5X1.0 METRIC NITRILE ORING	4.5MM X 1.0MM ORING	\$0.11	EA
5.0X1.0 METRIC NITRILE ORING	5.0MM X 1.0MM ORING	\$0.11	EA
5.5X1.0 METRIC NITRILE ORING	5.5MM X 1.0MM ORING	\$0.11	EA
6.0X1.0 METRIC NITRILE ORING	6.0MM X 1.0MM ORING	\$0.11	EA
7.0X1.0 METRIC NITRILE ORING	7.0MM X 1.0MM ORING	\$0.11	EA
8.0X1.0 METRIC NITRILE ORING	8.0MM X 1.0MM ORING	\$0.22	EA
9.0X1.0 METRIC NITRILE ORING	9.0MM X 1.0MM ORING	\$0.22	EA
9.5X1.0 METRIC NITRILE ORING	9.5MM X 1.0MM ORING	\$0.22	EA
10.0X1.0 METRIC NITRILE ORING	10.0MM X 1.0MM ORING	\$0.22	EA
11.0X1.0 METRIC NITRILE ORING	11.0MM X 1.0MM ORING	\$0.28	EA
12.0X1.0 METRIC NITRILE ORING	12.0MM X 1.0MM ORING	\$0.28	EA
13.0X1.0 METRIC NITRILE ORING	13.0MM X 1.0MM ORING	\$0.28	EA
14.0X1.0 METRIC NITRILE ORING	14.0MM X 1.0MM ORING	\$0.28	EA
15.0X1.0 METRIC NITRILE ORING	15.0MM X 1.0MM ORING	\$0.28	EA
16.0X1.0 METRIC NITRILE ORING	16.0MM X 1.0MM ORING	\$0.28	EA

METRIC O-RINGS

ITEM DESCRIPTION	ID X CROSS SECTION	SALES PRICE	UOM
17.0X1.0 METRIC NITRILE ORING	17.0MM X 1.0MM ORING	\$0.28	EA
18.0X1.0 METRIC NITRILE ORING	18.0MM X 1.0MM ORING	\$0.28	EA
18.5X1.0 METRIC NITRILE ORING	18.5MM X 1.0MM ORING	\$0.28	EA
19.0X1.0 METRIC NITRILE ORING	19.0MM X 1.0MM ORING	\$0.28	EA
20.0X1.0 METRIC NITRILE ORING	20.0MM X 1.0MM ORING	\$0.28	EA
21.0X1.0 METRIC NITRILE ORING	21.0MM X 1.0MM ORING	\$0.28	EA
22.0X1.0 METRIC NITRILE ORING	22.0MM X 1.0MM ORING	\$0.28	EA
23.0X1.0 METRIC NITRILE ORING	23.0MM X 1.0MM ORING	\$0.28	EA
24.0X1.0 METRIC NITRILE ORING	24.0MM X 1.0MM ORING	\$0.28	EA
25.0X1.0 METRIC NITRILE ORING	25.0MM X 1.0MM ORING	\$0.28	EA

2.0X1.5 METRIC NITRILE ORING	2.0MM X 1.5MM ORING	\$0.28	EA
2.5X1.5 METRIC NITRILE ORING	2.5MM X 1.5MM ORING	\$0.28	EA
3.0X1.5 METRIC NITRILE ORING	3.0MM X 1.5MM ORING	\$0.28	EA
3.5X1.5 METRIC NITRILE ORING	3.5MM X 1.5MM ORING	\$0.28	EA
4.0X1.5 METRIC NITRILE ORING	4.0MM X 1.5MM ORING	\$0.28	EA
5.0X1.5 METRIC NITRILE ORING	5.0MM X 1.5MM ORING	\$0.28	EA
5.8X1.5 METRIC NITRILE ORING	5.8MM X 1.5MM ORING	\$0.42	EA
6.0X1.5 METRIC NITRILE ORING	6.0MM X 1.5MM ORING	\$0.28	EA
7.0X1.5 METRIC NITRILE ORING	7.0MM X 1.5MM ORING	\$0.28	EA
8.0X1.5 METRIC NITRILE ORING	8.0MM X 1.5MM ORING	\$0.28	EA
9.0X1.5 METRIC NITRILE ORING	9.0MM X 1.5MM ORING	\$0.28	EA
10.0X1.5 METRIC NITRILE ORING	10.0MM X 1.5MM ORING	\$0.28	EA
11.0X1.5 METRIC NITRILE ORING	11.0MM X 1.5MM ORING	\$0.28	EA
12.0X1.5 METRIC NITRILE ORING	12.0MM X 1.5MM ORING	\$0.28	EA
13.0X1.5 METRIC NITRILE ORING	13.0MM X 1.5MM ORING	\$0.28	EA
14.0X1.5 METRIC NITRILE ORING	14.0MM X 1.5MM ORING	\$0.28	EA
14.5X1.5 METRIC NITRILE ORING	14.5MM X 1.5MM ORING	\$0.28	EA
15.0X1.5 METRIC NITRILE ORING	15.0MM X 1.5MM ORING	\$0.28	EA
16.0X1.5 METRIC NITRILE ORING	16.0MM X 1.5MM ORING	\$0.28	EA
17.0X1.5 METRIC NITRILE ORING	17.0MM X 1.5MM ORING	\$0.28	EA
17.5X1.5 METRIC NITRILE ORING	17.5MM X 1.5MM ORING	\$0.28	EA

METRIC O-RINGS

ITEM DESCRIPTION	ID X CROSS SECTION	SALES PRICE	UOM
18.0X1.5 METRIC NITRILE ORING	18.0MM X 1.5MM ORING	\$0.28	EA
18.5X1.5 METRIC NITRILE ORING	18.5MM X 1.5MM ORING	\$0.28	EA
19.0X1.5 METRIC NITRILE ORING	19.0MM X 1.5MM ORING	\$0.28	EA
20.0X1.5 METRIC NITRILE ORING	20.0MM X 1.5MM ORING	\$0.28	EA
21.0X1.5 METRIC NITRILE ORING	21.0MM X 1.5MM ORING	\$0.28	EA
22.0X1.5 METRIC NITRILE ORING	22.0MM X 1.5MM ORING	\$0.28	EA
23.0X1.5 METRIC NITRILE ORING	23.0MM X 1.5MM ORING	\$0.28	EA
24.0X1.5 METRIC NITRILE ORING	24.0MM X 1.5MM ORING	\$0.28	EA
25.0X1.5 METRIC NITRILE ORING	25.0MM X 1.5MM ORING	\$0.28	EA
26.0X1.5 METRIC NITRILE ORING	26.0MM X 1.5MM ORING	\$0.28	EA
27.0X1.5 METRIC NITRILE ORING	27.0MM X 1.5MM ORING	\$0.28	EA
28.0X1.5 METRIC NITRILE ORING	28.0MM X 1.5MM ORING	\$0.28	EA
29.0X1.5 METRIC NITRILE ORING	29.0MM X 1.5MM ORING	\$0.28	EA
30.0X1.5 METRIC NITRILE ORING	30.0MM X 1.5MM ORING	\$0.28	EA
31.0X1.5 METRIC NITRILE ORING	31.0MM X 1.5MM ORING	\$0.28	EA
32.0X1.5 METRIC NITRILE ORING	32.0MM X 1.5MM ORING	\$0.28	EA
33.0X1.5 METRIC NITRILE ORING	33.0MM X 1.5MM ORING	\$0.28	EA
34.0X1.5 METRIC NITRILE ORING	34.0MM X 1.5MM ORING	\$0.28	EA
35.0X1.5 METRIC NITRILE ORING	35.0MM X 1.5MM ORING	\$0.28	EA
36.0X1.5 METRIC NITRILE ORING	36.0MM X 1.5MM ORING	\$0.33	EA
37.0X1.5 METRIC NITRILE ORING	37.0MM X 1.5MM ORING	\$0.33	EA
38.0X1.5 METRIC NITRILE ORING	38.0MM X 1.5MM ORING	\$0.33	EA
39.0X1.5 METRIC NITRILE ORING	39.0MM X 1.5MM ORING	\$0.33	EA
40.0X1.5 METRIC NITRILE ORING	40.0MM X 1.5MM ORING	\$0.33	EA
41.0X1.5 METRIC NITRILE ORING	41.0MM X 1.5MM ORING	\$0.39	EA
42.0X1.5 METRIC NITRILE ORING	42.0MM X 1.5MM ORING	\$0.39	EA
43.0X1.5 METRIC NITRILE ORING	43.0MM X 1.5MM ORING	\$0.39	EA
44.0X1.5 METRIC NITRILE ORING	44.0MM X 1.5MM ORING	\$0.39	EA
45.0X1.5 METRIC NITRILE ORING	45.0MM X 1.5MM ORING	\$0.39	EA

METRIC O-RINGS

ITEM DESCRIPTION	ID X CROSS SECTION	SALES PRICE	UOM
2.8X1.9 METRIC NITRILE ORING	2.8MM X 1.9MM ORING	\$0.33	EA
3.8X1.9 METRIC NITRILE ORING	3.8MM X 1.9MM ORING	\$0.33	EA
4.8X1.9 METRIC NITRILE ORING	4.8MM X 1.9MM ORING	\$0.33	EA
5.7X1.9 METRIC NITRILE ORING	5.7MM X 1.9MM ORING	\$0.33	EA
5.8X1.9 METRIC NITRILE ORING	5.8MM X 1.9MM ORING	\$0.33	EA
6.8X1.9 METRIC NITRILE ORING	6.8MM X 1.9MM ORING	\$0.33	EA
7.8X1.9 METRIC NITRILE ORING	7.8MM X 1.9MM ORING	\$0.33	EA
8.8X1.9 METRIC NITRILE ORING	8.8MM X 1.9MM ORING	\$0.50	EA
9.8X1.9 METRIC NITRILE ORING	9.8MM X 1.9MM ORING	\$0.50	EA
15.8X1.9 METRIC NITRILE ORING	15.8MM X 1.9MM ORING	\$1.23	EA

3.0X2.0 METRIC NITRILE ORING	3.0MM X 2.0MM ORING	\$0.11	EA
4.0X2.0 METRIC NITRILE ORING	4.0MM X 2.0MM ORING	\$0.11	EA
5.0X2.0 METRIC NITRILE ORING	5.0MM X 2.0MM ORING	\$0.11	EA
6.0X2.0 METRIC NITRILE ORING	6.0MM X 2.0MM ORING	\$0.11	EA
7.0X2.0 METRIC NITRILE ORING	7.0MM X 2.0MM ORING	\$0.11	EA
8.0X2.0 METRIC NITRILE ORING	8.0MM X 2.0MM ORING	\$0.22	EA
9.0X2.0 METRIC NITRILE ORING	9.0MM X 2.0MM ORING	\$0.22	EA
10.0X2.0 METRIC NITRILE ORING	10.0MM X 2.0MM ORING	\$0.22	EA
11.0X2.0 METRIC NITRILE ORING	11.0MM X 2.0MM ORING	\$0.22	EA
12.0X2.0 METRIC NITRILE ORING	12.0MM X 2.0MM ORING	\$0.28	EA
13.0X2.0 METRIC NITRILE ORING	13.0MM X 2.0MM ORING	\$0.28	EA
14.0X2.0 METRIC NITRILE ORING	14.0MM X 2.0MM ORING	\$0.28	EA
15.0X2.0 METRIC NITRILE ORING	15.0MM X 2.0MM ORING	\$0.28	EA
16.0X2.0 METRIC NITRILE ORING	16.0MM X 2.0MM ORING	\$0.33	EA
17.0X2.0 METRIC NITRILE ORING	17.0MM X 2.0MM ORING	\$0.33	EA
18.0X2.0 METRIC NITRILE ORING	18.0MM X 2.0MM ORING	\$0.33	EA
19.0X2.0 METRIC NITRILE ORING	19.0MM X 2.0MM ORING	\$0.33	EA
20.0X2.0 METRIC NITRILE ORING	20.0MM X 2.0MM ORING	\$0.33	EA
21.0X2.0 METRIC NITRILE ORING	21.0MM X 2.0MM ORING	\$0.33	EA
22.0X2.0 METRIC NITRILE ORING	22.0MM X 2.0MM ORING	\$0.33	EA
23.0X2.0 METRIC NITRILE ORING	23.0MM X 2.0MM ORING	\$0.33	EA

METRIC O-RINGS

ITEM DESCRIPTION	ID X CROSS SECTION	SALES PRICE	UOM
24.0X2.0 METRIC NITRILE ORING	24.0MM X 2.0MM ORING	\$0.33	EA
25.0X2.0 METRIC NITRILE ORING	25.0MM X 2.0MM ORING	\$0.33	EA
26.0X2.0 METRIC NITRILE ORING	26.0MM X 2.0MM ORING	\$0.33	EA
27.0X2.0 METRIC NITRILE ORING	27.0MM X 2.0MM ORING	\$0.33	EA
28.0X2.0 METRIC NITRILE ORING	28.0MM X 2.0MM ORING	\$0.33	EA
29.0X2.0 METRIC NITRILE ORING	29.0MM X 2.0MM ORING	\$0.33	EA
30.0X2.0 METRIC NITRILE ORING	30.0MM X 2.0MM ORING	\$0.33	EA
31.0X2.0 METRIC NITRILE ORING	31.0MM X 2.0MM ORING	\$0.33	EA
32.0X2.0 METRIC NITRILE ORING	32.0MM X 2.0MM ORING	\$0.33	EA
33.0X2.0 METRIC NITRILE ORING	33.0MM X 2.0MM ORING	\$0.33	EA
34.0X2.0 METRIC NITRILE ORING	34.0MM X 2.0MM ORING	\$0.33	EA
35.0X2.0 METRIC NITRILE ORING	35.0MM X 2.0MM ORING	\$0.33	EA
36.0X2.0 METRIC NITRILE ORING	36.0MM X 2.0MM ORING	\$0.45	EA
37.0X2.0 METRIC NITRILE ORING	37.0MM X 2.0MM ORING	\$0.45	EA
38.0X2.0 METRIC NITRILE ORING	38.0MM X 2.0MM ORING	\$0.45	EA
39.0X2.0 METRIC NITRILE ORING	39.0MM X 2.0MM ORING	\$0.45	EA
40.0X2.0 METRIC NITRILE ORING	40.0MM X 2.0MM ORING	\$0.67	EA
41.0X2.0 METRIC NITRILE ORING	41.0MM X 2.0MM ORING	\$0.67	EA
42.0X2.0 METRIC NITRILE ORING	42.0MM X 2.0MM ORING	\$0.67	EA
43.0X2.0 METRIC NITRILE ORING	43.0MM X 2.0MM ORING	\$0.67	EA
44.0X2.0 METRIC NITRILE ORING	44.0MM X 2.0MM ORING	\$0.67	EA
45.0X2.0 METRIC NITRILE ORING	45.0MM X 2.0MM ORING	\$0.67	EA
46.0X2.0 METRIC NITRILE ORING	46.0MM X 2.0MM ORING	\$0.67	EA
47.0X2.0 METRIC NITRILE ORING	47.0MM X 2.0MM ORING	\$0.67	EA
48.0X2.0 METRIC NITRILE ORING	48.0MM X 2.0MM ORING	\$0.89	EA
49.0X2.0 METRIC NITRILE ORING	49.0MM X 2.0MM ORING	\$0.89	EA
50.0X2.0 METRIC NITRILE ORING	50.0MM X 2.0MM ORING	\$0.89	EA
51.0X2.0 METRIC NITRILE ORING	51.0MM X 2.0MM ORING	\$0.89	EA
52.0X2.0 METRIC NITRILE ORING	52.0MM X 2.0MM ORING	\$0.89	EA
53.0X2.0 METRIC NITRILE ORING	53.0MM X 2.0MM ORING	\$0.89	EA
54.0X2.0 METRIC NITRILE ORING	54.0MM X 2.0MM ORING	\$0.89	EA
55.0X2.0 METRIC NITRILE ORING	55.0MM X 2.0MM ORING	\$0.89	EA

330

Precision Seals Inc.
820 Honeysuckle Drive
Fultondale, AL 35068

SALES OFFICE HOURS
7 A.M. TO 5 P.M. CST
www.precisionseals.com

PHONE 205-631-7006
FAX 205-631-7032
TOLL FREE 800-233-8585

METRIC O-RINGS

ITEM DESCRIPTION	ID X CROSS SECTION	SALES PRICE	UOM
56.0X2.0 METRIC NITRILE ORING	56.0MM X 2.0MM ORING	\$0.89	EA
57.0X2.0 METRIC NITRILE ORING	57.0MM X 2.0MM ORING	\$0.89	EA
58.0X2.0 METRIC NITRILE ORING	58.0MM X 2.0MM ORING	\$0.89	EA
59.0X2.0 METRIC NITRILE ORING	59.0MM X 2.0MM ORING	\$0.89	EA
60.0X2.0 METRIC NITRILE ORING	60.0MM X 2.0MM ORING	\$0.89	EA
61.0X2.0 METRIC NITRILE ORING	61.0MM X 2.0MM ORING	\$0.89	EA
62.0X2.0 METRIC NITRILE ORING	62.0MM X 2.0MM ORING	\$0.89	EA
63.0X2.0 METRIC NITRILE ORING	63.0MM X 2.0MM ORING	\$0.89	EA
64.0X2.0 METRIC NITRILE ORING	64.0MM X 2.0MM ORING	\$0.89	EA
65.0X2.0 METRIC NITRILE ORING	65.0MM X 2.0MM ORING	\$0.89	EA
66.0X2.0 METRIC NITRILE ORING	66.0MM X 2.0MM ORING	\$0.89	EA
67.0X2.0 METRIC NITRILE ORING	67.0MM X 2.0MM ORING	\$0.89	EA
68.0X2.0 METRIC NITRILE ORING	68.0MM X 2.0MM ORING	\$0.89	EA
69.0X2.0 METRIC NITRILE ORING	69.0MM X 2.0MM ORING	\$0.89	EA
70.0X2.0 METRIC NITRILE ORING	70.0MM X 2.0MM ORING	\$0.89	EA
71.0X2.0 METRIC NITRILE ORING	71.0MM X 2.0MM ORING	\$0.89	EA
72.0X2.0 METRIC NITRILE ORING	72.0MM X 2.0MM ORING	\$1.11	EA
73.0X2.0 METRIC NITRILE ORING	73.0MM X 2.0MM ORING	\$1.11	EA
74.0X2.0 METRIC NITRILE ORING	74.0MM X 2.0MM ORING	\$1.11	EA
75.0X2.0 METRIC NITRILE ORING	75.0MM X 2.0MM ORING	\$1.11	EA
76.0X2.0 METRIC NITRILE ORING	76.0MM X 2.0MM ORING	\$1.11	EA
78.0X2.0 METRIC NITRILE ORING	78.0MM X 2.0MM ORING	\$1.11	EA
80.0X2.0 METRIC NITRILE ORING	80.0MM X 2.0MM ORING	\$1.11	EA
81.0X2.0 METRIC NITRILE ORING	81.0MM X 2.0MM ORING	\$1.62	EA
82.0X2.0 METRIC NITRILE ORING	82.0MM X 2.0MM ORING	\$0.84	EA
83.0X2.0 METRIC NITRILE ORING	83.0MM X 2.0MM ORING	\$0.89	EA
84.0X2.0 METRIC NITRILE ORING	84.0MM X 2.0MM ORING	\$0.89	EA
85.0X2.0 METRIC NITRILE ORING	85.0MM X 2.0MM ORING	\$1.11	EA
86.0X2.0 METRIC NITRILE ORING	86.0MM X 2.0MM ORING	\$1.40	EA
87.0X2.0 METRIC NITRILE ORING	87.0MM X 2.0MM ORING	\$1.39	EA
88.0X2.0 METRIC NITRILE ORING	88.0MM X 2.0MM ORING	\$1.39	EA
89.0X2.0 METRIC NITRILE ORING	89.0MM X 2.0MM ORING	\$0.89	EA

METRIC O-RINGS

ITEM DESCRIPTION	ID X CROSS SECTION	SALES PRICE	UOM
90.0X2.0 METRIC NITRILE ORING	90.0MM X 2.0MM ORING	\$1.39	EA
91.0X2.0 METRIC NITRILE ORING	91.0MM X 2.0MM ORING	\$1.95	EA
94.0X2.0 METRIC NITRILE ORING	94.0MM X 2.0MM ORING	\$0.84	EA
95.0X2.0 METRIC NITRILE ORING	95.0MM X 2.0MM ORING	\$0.84	EA
96.0X2.0 METRIC NITRILE ORING	96.0MM X 2.0MM ORING	\$0.84	EA
97.0X2.0 METRIC NITRILE ORING	97.0MM X 2.0MM ORING	\$1.95	EA
98.0X2.0 METRIC NITRILE ORING	98.0MM X 2.0MM ORING	\$1.17	EA
99.0X2.0 METRIC NITRILE ORING	99.0MM X 2.0MM ORING	\$1.90	EA
100.0X2.0 METRIC NITRILE ORING	100.0MM X 2.0MM ORING	\$0.97	EA
105.0X2.0 METRIC NITRILE ORING	105.0MM X 2.0MM ORING	\$1.23	EA
110.0X2.0 METRIC NITRILE ORING	110.0MM X 2.0MM ORING	\$1.23	EA
115.0X2.0 METRIC NITRILE ORING	115.0MM X 2.0MM ORING	\$1.50	EA
120.0X2.0 METRIC NITRILE ORING	120.0MM X 2.0MM ORING	POR	
130.0X2.0 METRIC NITRILE ORING	130.0MM X 2.0MM ORING	POR	
140.0X2.0 METRIC NITRILE ORING	140.0MM X 2.0MM ORING	POR	
150.0X2.0 METRIC NITRILE ORING	150.0MM X 2.0MM ORING	\$8.93	EA
151.0X2.0 METRIC NITRILE ORING	151.0MM X 2.0MM ORING	\$8.93	EA
152.0X2.0 METRIC NITRILE ORING	152.0MM X 2.0MM ORING	\$8.78	EA
153.0X2.0 METRIC NITRILE ORING	153.0MM X 2.0MM ORING	POR	
154.0X2.0 METRIC NITRILE ORING	154.0MM X 2.0MM ORING	\$8.78	EA
160.0X2.0 METRIC NITRILE ORING	160.0MM X 2.0MM ORING	\$2.79	EA

3.3X2.4 METRIC NITRILE ORING	3.3MM X 2.4MM ORING	\$0.11	EA
3.6X2.4 METRIC NITRILE ORING	3.6MM X 2.4MM ORING	\$0.11	EA
4.3X2.4 METRIC NITRILE ORING	4.3MM X 2.4MM ORING	\$0.11	EA
5.3X2.4 METRIC NITRILE ORING	5.3MM X 2.4MM ORING	\$0.11	EA
5.6X2.4 METRIC NITRILE ORING	5.6MM X 2.4MM ORING	\$0.11	EA
6.3X2.4 METRIC NITRILE ORING	6.3MM X 2.4MM ORING	\$0.11	EA
6.6X2.4 METRIC NITRILE ORING	6.6MM X 2.4MM ORING	\$0.11	EA
7.3X2.4 METRIC NITRILE ORING	7.3MM X 2.4MM ORING	\$0.11	EA
7.6X2.4 METRIC NITRILE ORING	7.6MM X 2.4MM ORING	\$0.11	EA
8.3X2.4 METRIC NITRILE ORING	8.3MM X 2.4MM ORING	\$0.11	EA
8.6X2.4 METRIC NITRILE ORING	8.6MM X 2.4MM ORING	\$0.11	EA

METRIC O-RINGS

ITEM DESCRIPTION	ID X CROSS SECTION	SALES PRICE	UOM
9.3X2.4 METRIC NITRILE ORING	9.3MM X 2.4MM ORING	\$0.11	EA
9.6X2.4 METRIC NITRILE ORING	9.6MM X 2.4MM ORING	\$0.11	EA
9.8X2.4 METRIC NITRILE ORING	9.8MM X 2.4MM ORING	\$0.11	EA
10.3X2.4 METRIC NITRILE ORING	10.3MM X 2.4MM ORING	\$0.14	EA
10.6X2.4 METRIC NITRILE ORING	10.6MM X 2.4MM ORING	\$0.14	EA
10.8X2.4 METRIC NITRILE ORING	10.8MM X 2.4MM ORING	\$0.14	EA
11.0X2.4 METRIC NITRILE ORING	11.0MM X 2.4MM ORING	\$0.14	EA
11.3X2.4 METRIC NITRILE ORING	11.3MM X 2.4MM ORING	\$0.14	EA
11.6X2.4 METRIC NITRILE ORING	11.6MM X 2.4MM ORING	\$0.14	EA
11.8X2.4 METRIC NITRILE ORING	11.8MM X 2.4MM ORING	\$0.14	EA
12.3X2.4 METRIC NITRILE ORING	12.3MM X 2.4MM ORING	\$0.14	EA
12.6X2.4 METRIC NITRILE ORING	12.6MM X 2.4MM ORING	\$0.14	EA
12.8X2.4 METRIC NITRILE ORING	12.8MM X 2.4MM ORING	\$0.14	EA
13.3X2.4 METRIC NITRILE ORING	13.3MM X 2.4MM ORING	\$0.14	EA
13.6X2.4 METRIC NITRILE ORING	13.6MM X 2.4MM ORING	\$0.14	EA
13.8X2.4 METRIC NITRILE ORING	13.8MM X 2.4MM ORING	\$0.14	EA
14.3X2.4 METRIC NITRILE ORING	14.3MM X 2.4MM ORING	\$0.14	EA
14.6X2.4 METRIC NITRILE ORING	14.6MM X 2.4MM ORING	\$0.14	EA
14.8X2.4 METRIC NITRILE ORING	14.8MM X 2.4MM ORING	\$0.22	EA
15.3X2.4 METRIC NITRILE ORING	15.3MM X 2.4MM ORING	\$0.22	EA
15.6X2.4 METRIC NITRILE ORING	15.6MM X 2.4MM ORING	\$0.22	EA
15.8X2.4 METRIC NITRILE ORING	15.8MM X 2.4MM ORING	\$0.22	EA
16.3X2.4 METRIC NITRILE ORING	16.3MM X 2.4MM ORING	\$0.22	EA
16.6X2.4 METRIC NITRILE ORING	16.6MM X 2.4MM ORING	\$0.22	EA
17.3X2.4 METRIC NITRILE ORING	17.3MM X 2.4MM ORING	\$0.22	EA
17.6X2.4 METRIC NITRILE ORING	17.6MM X 2.4MM ORING	\$0.22	EA
17.8X2.4 METRIC NITRILE ORING	17.8MM X 2.4MM ORING	\$0.22	EA
18.6X2.4 METRIC NITRILE ORING	18.6MM X 2.4MM ORING	\$0.22	EA
19.6X2.4 METRIC NITRILE ORING	19.6MM X 2.4MM ORING	\$0.22	EA
19.8X2.4 METRIC NITRILE ORING	19.8MM X 2.4MM ORING	\$0.22	EA
20.8X2.4 METRIC NITRILE ORING	20.8MM X 2.4MM ORING	\$0.22	EA
21.6X2.4 METRIC NITRILE ORING	21.6MM X 2.4MM ORING	\$0.31	EA

METRIC O-RINGS

ITEM DESCRIPTION	ID X CROSS SECTION	SALES PRICE	UOM
21.8X2.4 METRIC NITRILE ORING	21.8MM X 2.4MM ORING	\$0.31	EA
24.6X2.4 METRIC NITRILE ORING	24.6MM X 2.4MM ORING	\$0.31	EA
27.6X2.4 METRIC NITRILE ORING	27.6MM X 2.4MM ORING	\$0.31	EA
29.6X2.4 METRIC NITRILE ORING	29.6MM X 2.4MM ORING	\$0.31	EA

4.0X2.5 METRIC NITRILE ORING	4.0MM X 2.5MM ORING	\$0.11	EA
5.0X2.5 METRIC NITRILE ORING	5.0MM X 2.5MM ORING	\$0.11	EA
6.0X2.5 METRIC NITRILE ORING	6.0MM X 2.5MM ORING	\$0.11	EA
7.0X2.5 METRIC NITRILE ORING	7.0MM X 2.5MM ORING	\$0.11	EA
8.0X2.5 METRIC NITRILE ORING	8.0MM X 2.5MM ORING	\$0.11	EA
9.0X2.5 METRIC NITRILE ORING	9.0MM X 2.5MM ORING	\$0.11	EA
10.0X2.5 METRIC NITRILE ORING	10.0MM X 2.5MM ORING	\$0.11	EA
10.5X2.5 METRIC NITRILE ORING	10.5MM X 2.5MM ORING	\$0.28	EA
11.0X2.5 METRIC NITRILE ORING	11.0MM X 2.5MM ORING	\$0.28	EA
12.0X2.5 METRIC NITRILE ORING	12.0MM X 2.5MM ORING	\$0.28	EA
12.5X2.5 METRIC NITRILE ORING	12.5MM X 2.5MM ORING	\$0.25	EA
13.0X2.5 METRIC NITRILE ORING	13.0MM X 2.5MM ORING	\$0.25	EA
14.0X2.5 METRIC NITRILE ORING	14.0MM X 2.5MM ORING	\$0.25	EA
14.5X2.5 METRIC NITRILE ORING	14.5MM X 2.5MM ORING	\$0.28	EA
15.0X2.5 METRIC NITRILE ORING	15.0MM X 2.5MM ORING	\$0.31	EA
16.0X2.5 METRIC NITRILE ORING	16.0MM X 2.5MM ORING	\$0.31	EA
17.0X2.5 METRIC NITRILE ORING	17.0MM X 2.5MM ORING	\$0.31	EA
18.0X2.5 METRIC NITRILE ORING	18.0MM X 2.5MM ORING	\$0.31	EA
19.0X2.5 METRIC NITRILE ORING	19.0MM X 2.5MM ORING	\$0.31	EA
20.0X2.5 METRIC NITRILE ORING	20.0MM X 2.5MM ORING	\$0.31	EA

METRIC O-RINGS

ITEM DESCRIPTION	ID X CROSS SECTION	SALES PRICE	UOM
21.0X2.5 METRIC NITRILE ORING	21.0MM X 2.5MM ORING	\$0.31	EA
22.0X2.5 METRIC NITRILE ORING	22.0MM X 2.5MM ORING	\$0.31	EA
23.0X2.5 METRIC NITRILE ORING	23.0MM X 2.5MM ORING	\$0.31	EA
24.0X2.5 METRIC NITRILE ORING	24.0MM X 2.5MM ORING	\$0.42	EA
25.0X2.5 METRIC NITRILE ORING	25.0MM X 2.5MM ORING	\$0.42	EA
26.0X2.5 METRIC NITRILE ORING	26.0MM X 2.5MM ORING	\$0.42	EA
27.0X2.5 METRIC NITRILE ORING	27.0MM X 2.5MM ORING	\$0.42	EA
28.0X2.5 METRIC NITRILE ORING	28.0MM X 2.5MM ORING	\$0.42	EA
29.0X2.5 METRIC NITRILE ORING	29.0MM X 2.5MM ORING	\$0.42	EA
30.0X2.5 METRIC NITRILE ORING	30.0MM X 2.5MM ORING	\$0.42	EA
31.0X2.5 METRIC NITRILE ORING	31.0MM X 2.5MM ORING	\$0.42	EA
32.0X2.5 METRIC NITRILE ORING	32.0MM X 2.5MM ORING	\$0.42	EA
33.0X2.5 METRIC NITRILE ORING	33.0MM X 2.5MM ORING	\$0.42	EA
34.0X2.5 METRIC NITRILE ORING	34.0MM X 2.5MM ORING	\$0.42	EA
35.0X2.5 METRIC NITRILE ORING	35.0MM X 2.5MM ORING	\$0.42	EA
36.0X2.5 METRIC NITRILE ORING	36.0MM X 2.5MM ORING	\$0.42	EA
37.0X2.5 METRIC NITRILE ORING	37.0MM X 2.5MM ORING	\$0.42	EA
38.0X2.5 METRIC NITRILE ORING	38.0MM X 2.5MM ORING	\$0.42	EA
39.0X2.5 METRIC NITRILE ORING	39.0MM X 2.5MM ORING	\$0.42	EA
40.0X2.5 METRIC NITRILE ORING	40.0MM X 2.5MM ORING	\$0.67	EA
41.0X2.5 METRIC NITRILE ORING	41.0MM X 2.5MM ORING	\$0.67	EA
42.0X2.5 METRIC NITRILE ORING	42.0MM X 2.5MM ORING	\$0.67	EA
43.0X2.5 METRIC NITRILE ORING	43.0MM X 2.5MM ORING	\$0.67	EA
44.0X2.5 METRIC NITRILE ORING	44.0MM X 2.5MM ORING	\$0.67	EA
45.0X2.5 METRIC NITRILE ORING	45.0MM X 2.5MM ORING	\$0.67	EA
46.0X2.5 METRIC NITRILE ORING	46.0MM X 2.5MM ORING	\$0.67	EA
47.0X2.5 METRIC NITRILE ORING	47.0MM X 2.5MM ORING	\$0.67	EA
48.0X2.5 METRIC NITRILE ORING	48.0MM X 2.5MM ORING	\$0.89	EA
49.0X2.5 METRIC NITRILE ORING	49.0MM X 2.5MM ORING	\$0.89	EA
50.0X2.5 METRIC NITRILE ORING	50.0MM X 2.5MM ORING	\$0.89	EA
51.0X2.5 METRIC NITRILE ORING	51.0MM X 2.5MM ORING	\$0.89	EA
52.0X2.5 METRIC NITRILE ORING	52.0MM X 2.5MM ORING	\$0.89	EA

METRIC O-RINGS

ITEM DESCRIPTION	ID X CROSS SECTION	SALES PRICE	UOM
53.0X2.5 METRIC NITRILE ORING	53.0MM X 2.5MM ORING	\$0.89	EA
54.0X2.5 METRIC NITRILE ORING	54.0MM X 2.5MM ORING	\$0.89	EA
55.0X2.5 METRIC NITRILE ORING	55.0MM X 2.5MM ORING	\$0.89	EA
56.0X2.5 METRIC NITRILE ORING	56.0MM X 2.5MM ORING	\$0.89	EA
57.0X2.5 METRIC NITRILE ORING	57.0MM X 2.5MM ORING	\$0.89	EA
58.0X2.5 METRIC NITRILE ORING	58.0MM X 2.5MM ORING	\$0.89	EA
59.0X2.5 METRIC NITRILE ORING	59.0MM X 2.5MM ORING	\$0.89	EA
60.0X2.5 METRIC NITRILE ORING	60.0MM X 2.5MM ORING	\$0.89	EA
61.0X2.5 METRIC NITRILE ORING	61.0MM X 2.5MM ORING	\$0.89	EA
62.0X2.5 METRIC NITRILE ORING	62.0MM X 2.5MM ORING	\$0.89	EA
63.0X2.5 METRIC NITRILE ORING	63.0MM X 2.5MM ORING	\$0.89	EA
64.0X2.5 METRIC NITRILE ORING	64.0MM X 2.5MM ORING	\$0.89	EA
65.0X2.5 METRIC NITRILE ORING	65.0MM X 2.5MM ORING	\$0.89	EA
66.0X2.5 METRIC NITRILE ORING	66.0MM X 2.5MM ORING	\$0.89	EA
67.0X2.5 METRIC NITRILE ORING	67.0MM X 2.5MM ORING	\$0.89	EA
68.0X2.5 METRIC NITRILE ORING	68.0MM X 2.5MM ORING	\$0.89	EA
69.0X2.5 METRIC NITRILE ORING	69.0MM X 2.5MM ORING	\$1.28	EA
70.0X2.5 METRIC NITRILE ORING	70.0MM X 2.5MM ORING	\$1.11	EA
71.0X2.5 METRIC NITRILE ORING	71.0MM X 2.5MM ORING	\$1.11	EA
72.0X2.5 METRIC NITRILE ORING	72.0MM X 2.5MM ORING	\$1.11	EA
73.0X2.5 METRIC NITRILE ORING	73.0MM X 2.5MM ORING	\$1.11	EA
74.0X2.5 METRIC NITRILE ORING	74.0MM X 2.5MM ORING	\$2.09	EA
75.0X2.5 METRIC NITRILE ORING	75.0MM X 2.5MM ORING	\$2.09	EA
76.0X2.5 METRIC NITRILE ORING	76.0MM X 2.5MM ORING	\$2.09	EA
77.0X2.5 METRIC NITRILE ORING	77.0MM X 2.5MM ORING	\$2.09	EA
78.0X2.5 METRIC NITRILE ORING	78.0MM X 2.5MM ORING	\$2.09	EA
79.0X2.5 METRIC NITRILE ORING	79.0MM X 2.5MM ORING	\$2.09	EA
80.0X2.5 METRIC NITRILE ORING	80.0MM X 2.5MM ORING	\$2.09	EA
81.0X2.5 METRIC NITRILE ORING	81.0MM X 2.5MM ORING	\$2.09	EA
82.0X2.5 METRIC NITRILE ORING	82.0MM X 2.5MM ORING	\$2.09	EA
83.0X2.5 METRIC NITRILE ORING	83.0MM X 2.5MM ORING	\$2.09	EA
84.0X2.5 METRIC NITRILE ORING	84.0MM X 2.5MM ORING	\$2.09	EA

336

Precision Seals Inc.
820 Honeysuckle Drive
Fultondale, AL 35068

SALES OFFICE HOURS
7 A.M. TO 5 P.M. CST
www.precisionseals.com

PHONE 205-631-7006
FAX 205-631-7032
TOLL FREE 800-233-8585

METRIC O-RINGS

ITEM DESCRIPTION	ID X CROSS SECTION	SALES PRICE	UOM
85.0X2.5 METRIC NITRILE ORING	85.0MM X 2.5MM ORING	\$2.09	EA
86.0X2.5 METRIC NITRILE ORING	86.0MM X 2.5MM ORING	\$2.09	EA
87.0X2.5 METRIC NITRILE ORING	87.0MM X 2.5MM ORING	\$2.09	EA
88.0X2.5 METRIC NITRILE ORING	88.0MM X 2.5MM ORING	\$2.09	EA
89.0X2.5 METRIC NITRILE ORING	89.0MM X 2.5MM ORING	\$2.09	EA
90.0X2.5 METRIC NITRILE ORING	90.0MM X 2.5MM ORING	\$2.51	EA
91.0X2.5 METRIC NITRILE ORING	91.0MM X 2.5MM ORING	\$2.51	EA
92.0X2.5 METRIC NITRILE ORING	92.0MM X 2.5MM ORING	\$2.51	EA
93.0X2.5 METRIC NITRILE ORING	93.0MM X 2.5MM ORING	\$2.51	EA
94.0X2.5 METRIC NITRILE ORING	94.0MM X 2.5MM ORING	\$2.51	EA
95.0X2.5 METRIC NITRILE ORING	95.0MM X 2.5MM ORING	\$2.51	EA
96.0X2.5 METRIC NITRILE ORING	96.0MM X 2.5MM ORING	\$1.50	EA
97.0X2.5 METRIC NITRILE ORING	97.0MM X 2.5MM ORING	\$1.50	EA
98.0X2.5 METRIC NITRILE ORING	98.0MM X 2.5MM ORING	\$1.50	EA
99.0X2.5 METRIC NITRILE ORING	99.0MM X 2.5MM ORING	\$2.51	EA
100.0X2.5 METRIC NITRILE ORING	100.0MM X 2.5MM ORING	\$2.51	EA
101.0X2.5 METRIC NITRILE ORING	101.0MM X 2.5MM ORING	\$2.51	EA
102.0X2.5 METRIC NITRILE ORING	102.0MM X 2.5MM ORING	\$2.51	EA
103.0X2.5 METRIC NITRILE ORING	103.0MM X 2.5MM ORING	\$2.51	EA
104.0X2.5 METRIC NITRILE ORING	104.0MM X 2.5MM ORING	\$2.51	EA
105.0X2.5 METRIC NITRILE ORING	105.0MM X 2.5MM ORING	\$2.51	EA
106.0X2.5 METRIC NITRILE ORING	106.0MM X 2.5MM ORING	\$2.51	EA
107.0X2.5 METRIC NITRILE ORING	107.0MM X 2.5MM ORING	\$2.51	EA
108.0X2.5 METRIC NITRILE ORING	108.0MM X 2.5MM ORING	\$2.79	EA
109.0X2.5 METRIC NITRILE ORING	109.0MM X 2.5MM ORING	\$4.35	EA
110.0X2.5 METRIC NITRILE ORING	110.0MM X 2.5MM ORING	\$2.79	EA
111.0X2.5 METRIC NITRILE ORING	111.0MM X 2.5MM ORING	\$2.79	EA
112.0X2.5 METRIC NITRILE ORING	112.0MM X 2.5MM ORING	\$2.79	EA
113.0X2.5 METRIC NITRILE ORING	113.0MM X 2.5MM ORING	\$2.79	EA
114.0X2.5 METRIC NITRILE ORING	114.0MM X 2.5MM ORING	\$2.79	EA
115.0X2.5 METRIC NITRILE ORING	115.0MM X 2.5MM ORING	\$2.79	EA
116.0X2.5 METRIC NITRILE ORING	116.0MM X 2.5MM ORING	\$2.79	EA

METRIC O-RINGS

ITEM DESCRIPTION	ID X CROSS SECTION	SALES PRICE	UOM
117.0X2.5 METRIC NITRILE ORING	117.0MM X 2.5MM ORING	\$2.79	EA
118.0X2.5 METRIC NITRILE ORING	118.0MM X 2.5MM ORING	\$2.79	EA
119.0X2.5 METRIC NITRILE ORING	119.0MM X 2.5MM ORING	\$2.79	EA
120.0X2.5 METRIC NITRILE ORING	120.0MM X 2.5MM ORING	\$2.79	EA
121.0X2.5 METRIC NITRILE ORING	121.0MM X 2.5MM ORING	\$2.79	EA
122.0X2.5 METRIC NITRILE ORING	122.0MM X 2.5MM ORING	\$2.79	EA
123.0X2.5 METRIC NITRILE ORING	123.0MM X 2.5MM ORING	\$2.79	EA
124.0X2.5 METRIC NITRILE ORING	124.0MM X 2.5MM ORING	\$2.79	EA
125.0X2.5 METRIC NITRILE ORING	125.0MM X 2.5MM ORING	\$2.79	EA
126.0X2.5 METRIC NITRILE ORING	126.0MM X 2.5MM ORING	\$2.79	EA
127.0X2.5 METRIC NITRILE ORING	127.0MM X 2.5MM ORING	\$2.79	EA
128.0X2.5 METRIC NITRILE ORING	128.0MM X 2.5MM ORING	\$2.79	EA
129.0X2.5 METRIC NITRILE ORING	129.0MM X 2.5MM ORING	\$2.79	EA
130.0X2.5 METRIC NITRILE ORING	130.0MM X 2.5MM ORING	\$2.79	EA
131.0X2.5 METRIC NITRILE ORING	131.0MM X 2.5MM ORING	\$2.79	EA
132.0X2.5 METRIC NITRILE ORING	132.0MM X 2.5MM ORING	\$3.48	EA
133.0X2.5 METRIC NITRILE ORING	133.0MM X 2.5MM ORING	\$3.48	EA
134.0X2.5 METRIC NITRILE ORING	134.0MM X 2.5MM ORING	\$3.48	EA
135.0X2.5 METRIC NITRILE ORING	135.0MM X 2.5MM ORING	\$3.48	EA
136.0X2.5 METRIC NITRILE ORING	136.0MM X 2.5MM ORING	\$3.48	EA
137.0X2.5 METRIC NITRILE ORING	137.0MM X 2.5MM ORING	\$3.48	EA
138.0X2.5 METRIC NITRILE ORING	138.0MM X 2.5MM ORING	\$3.48	EA
139.0X2.5 METRIC NITRILE ORING	139.0MM X 2.5MM ORING	\$3.48	EA
140.0X2.5 METRIC NITRILE ORING	140.0MM X 2.5MM ORING	\$3.48	EA
141.0X2.5 METRIC NITRILE ORING	141.0MM X 2.5MM ORING	\$4.18	EA
142.0X2.5 METRIC NITRILE ORING	142.0MM X 2.5MM ORING	\$4.18	EA
143.0X2.5 METRIC NITRILE ORING	143.0MM X 2.5MM ORING	\$4.18	EA
144.0X2.5 METRIC NITRILE ORING	144.0MM X 2.5MM ORING	\$4.18	EA
145.0X2.5 METRIC NITRILE ORING	145.0MM X 2.5MM ORING	\$4.18	EA
146.0X2.5 METRIC NITRILE ORING	146.0MM X 2.5MM ORING	\$4.18	EA
147.0X2.5 METRIC NITRILE ORING	147.0MM X 2.5MM ORING	\$4.18	EA
148.0X2.5 METRIC NITRILE ORING	148.0MM X 2.5MM ORING	\$4.18	EA

METRIC O-RINGS

ITEM DESCRIPTION	ID X CROSS SECTION	SALES PRICE	UOM
149.0X2.5 METRIC NITRILE ORING	149.0MM X 2.5MM ORING	\$4.18	EA
150.0X2.5 METRIC NITRILE ORING	150.0MM X 2.5MM ORING	\$4.18	EA
160.0X2.5 METRIC NITRILE ORING	160.0MM X 2.5MM ORING	\$4.18	EA

5.0X3.0 METRIC NITRILE ORING	5.0MM X 3.0MM ORING	\$0.22	EA
6.0X3.0 METRIC NITRILE ORING	6.0MM X 3.0MM ORING	\$0.22	EA
7.0X3.0 METRIC NITRILE ORING	7.0MM X 3.0MM ORING	\$0.22	EA
8.0X3.0 METRIC NITRILE ORING	8.0MM X 3.0MM ORING	\$0.22	EA
9.0X3.0 METRIC NITRILE ORING	9.0MM X 3.0MM ORING	\$0.22	EA
10.0X3.0 METRIC NITRILE ORING	10.0MM X 3.0MM ORING	\$0.22	EA
11.0X3.0 METRIC NITRILE ORING	11.0MM X 3.0MM ORING	\$0.22	EA
12.0X3.0 METRIC NITRILE ORING	12.0MM X 3.0MM ORING	\$0.22	EA
13.0X3.0 METRIC NITRILE ORING	13.0MM X 3.0MM ORING	\$0.22	EA
14.0X3.0 METRIC NITRILE ORING	14.0MM X 3.0MM ORING	\$0.22	EA
15.0X3.0 METRIC NITRILE ORING	15.0MM X 3.0MM ORING	\$0.22	EA
16.0X3.0 METRIC NITRILE ORING	16.0MM X 3.0MM ORING	\$0.22	EA
17.0X3.0 METRIC NITRILE ORING	17.0MM X 3.0MM ORING	\$0.22	EA
18.0X3.0 METRIC NITRILE ORING	18.0MM X 3.0MM ORING	\$0.22	EA
19.0X3.0 METRIC NITRILE ORING	19.0MM X 3.0MM ORING	\$0.22	EA
19.2X3.0 METRIC NITRILE ORING	19.2MM X 3.0MM ORING	\$0.22	EA
19.5X3.0 METRIC NITRILE ORING	19.5MM X 3.0MM ORING	\$0.22	EA
20.0X3.0 METRIC NITRILE ORING	20.0MM X 3.0MM ORING	\$0.22	EA
20.5X3.0 METRIC NITRILE ORING	20.5MM X 3.0MM ORING	\$0.22	EA
21.0X3.0 METRIC NITRILE ORING	21.0MM X 3.0MM ORING	\$0.45	EA
21.5X3.0 METRIC NITRILE ORING	21.5MM X 3.0MM ORING	\$0.45	EA
22.0X3.0 METRIC NITRILE ORING	22.0MM X 3.0MM ORING	\$0.45	EA
22.2X3.0 METRIC NITRILE ORING	22.2MM X 3.0MM ORING	\$0.45	EA
22.5X3.0 METRIC NITRILE ORING	22.5MM X 3.0MM ORING	\$0.45	EA
23.0X3.0 METRIC NITRILE ORING	23.0MM X 3.0MM ORING	\$0.45	EA
24.0X3.0 METRIC NITRILE ORING	24.0MM X 3.0MM ORING	\$0.45	EA
24.5X3.0 METRIC NITRILE ORING	24.5MM X 3.0MM ORING	\$0.45	EA
25.0X3.0 METRIC NITRILE ORING	25.0MM X 3.0MM ORING	\$0.45	EA
25.5X3.0 METRIC NITRILE ORING	25.5MM X 3.0MM ORING	\$0.45	EA

METRIC O-RINGS

ITEM DESCRIPTION	ID X CROSS SECTION	SALES PRICE	UOM
26.2X3.0 METRIC NITRILE ORING	26.2MM X 3.0MM ORING	\$0.45	EA
26.5X3.0 METRIC NITRILE ORING	26.5MM X 3.0MM ORING	\$0.50	EA
27.0X3.0 METRIC NITRILE ORING	27.0MM X 3.0MM ORING	\$0.50	EA
27.5X3.0 METRIC NITRILE ORING	27.5MM X 3.0MM ORING	\$0.50	EA
28.0X3.0 METRIC NITRILE ORING	28.0MM X 3.0MM ORING	\$0.50	EA
29.0X3.0 METRIC NITRILE ORING	29.0MM X 3.0MM ORING	\$0.50	EA
29.2X3.0 METRIC NITRILE ORING	29.2MM X 3.0MM ORING	\$0.50	EA
29.5X3.0 METRIC NITRILE ORING	29.5MM X 3.0MM ORING	\$0.50	EA
30.0X3.0 METRIC NITRILE ORING	30.0MM X 3.0MM ORING	\$0.56	EA
31.0X3.0 METRIC NITRILE ORING	31.0MM X 3.0MM ORING	\$0.56	EA
31.5X3.0 METRIC NITRILE ORING	31.5MM X 3.0MM ORING	\$0.56	EA
32.0X3.0 METRIC NITRILE ORING	32.0MM X 3.0MM ORING	\$0.56	EA
32.2X3.0 METRIC NITRILE ORING	32.2MM X 3.0MM ORING	\$0.56	EA
32.5X3.0 METRIC NITRILE ORING	32.5MM X 3.0MM ORING	\$0.56	EA
33.0X3.0 METRIC NITRILE ORING	33.0MM X 3.0MM ORING	\$0.56	EA
34.0X3.0 METRIC NITRILE ORING	34.0MM X 3.0MM ORING	\$0.56	EA
34.2X3.0 METRIC NITRILE ORING	34.2MM X 3.0MM ORING	\$0.70	EA
34.5X3.0 METRIC NITRILE ORING	34.5MM X 3.0MM ORING	\$0.70	EA
35.0X3.0 METRIC NITRILE ORING	35.0MM X 3.0MM ORING	\$0.70	EA
36.0X3.0 METRIC NITRILE ORING	36.0MM X 3.0MM ORING	\$0.70	EA
36.2X3.0 METRIC NITRILE ORING	36.2MM X 3.0MM ORING	\$0.70	EA
36.5X3.0 METRIC NITRILE ORING	36.5MM X 3.0MM ORING	\$0.70	EA
37.0X3.0 METRIC NITRILE ORING	37.0MM X 3.0MM ORING	\$0.72	EA
37.5X3.0 METRIC NITRILE ORING	37.5MM X 3.0MM ORING	\$0.72	EA
38.0X3.0 METRIC NITRILE ORING	38.0MM X 3.0MM ORING	\$0.72	EA
39.2X3.0 METRIC NITRILE ORING	39.2MM X 3.0MM ORING	\$0.72	EA
39.5X3.0 METRIC NITRILE ORING	39.5MM X 3.0MM ORING	\$0.72	EA
41.0X3.0 METRIC NITRILE ORING	41.0MM X 3.0MM ORING	\$1.67	EA
41.5X3.0 METRIC NITRILE ORING	41.5MM X 3.0MM ORING	\$0.84	EA
42.0X3.0 METRIC NITRILE ORING	42.0MM X 3.0MM ORING	\$0.84	EA
42.2X3.0 METRIC NITRILE ORING	42.2MM X 3.0MM ORING	\$0.84	EA
42.5X3.0 METRIC NITRILE ORING	42.5MM X 3.0MM ORING	\$0.84	EA

340

Precision Seals Inc.
820 Honeysuckle Drive
Fultondale, AL 35068

SALES OFFICE HOURS
7 A.M. TO 5 P.M. CST
www.precisionseals.com

PHONE 205-631-7006
FAX 205-631-7032
TOLL FREE 800-233-8585

METRIC O-RINGS

ITEM DESCRIPTION	ID X CROSS SECTION	SALES PRICE	UOM
43.0X3.0 METRIC NITRILE ORING	43.0MM X 3.0MM ORING	\$0.92	EA
44.0X3.0 METRIC NITRILE ORING	44.0MM X 3.0MM ORING	\$0.92	EA
44.2X3.0 METRIC NITRILE ORING	44.2MM X 3.0MM ORING	\$0.92	EA
44.5X3.0 METRIC NITRILE ORING	44.5MM X 3.0MM ORING	\$0.92	EA
45.0X3.0 METRIC NITRILE ORING	45.0MM X 3.0MM ORING	\$0.92	EA
46.0X3.0 METRIC NITRILE ORING	46.0MM X 3.0MM ORING	\$0.92	EA
47.0X3.0 METRIC NITRILE ORING	47.0MM X 3.0MM ORING	\$0.95	EA
48.0X3.0 METRIC NITRILE ORING	48.0MM X 3.0MM ORING	\$0.95	EA
49.0X3.0 METRIC NITRILE ORING	49.0MM X 3.0MM ORING	\$0.95	EA
49.5X3.0 METRIC NITRILE ORING	49.5MM X 3.0MM ORING	\$0.95	EA
50.0X3.0 METRIC NITRILE ORING	50.0MM X 3.0MM ORING	\$0.95	EA
51.0X3.0 METRIC NITRILE ORING	51.0MM X 3.0MM ORING	\$0.95	EA
52.0X3.0 METRIC NITRILE ORING	52.0MM X 3.0MM ORING	\$1.11	EA
53.0X3.0 METRIC NITRILE ORING	53.0MM X 3.0MM ORING	\$1.11	EA
54.0X3.0 METRIC NITRILE ORING	54.0MM X 3.0MM ORING	\$1.11	EA
54.5X3.0 METRIC NITRILE ORING	54.5MM X 3.0MM ORING	\$1.11	EA
55.0X3.0 METRIC NITRILE ORING	55.0MM X 3.0MM ORING	\$1.11	EA
56.0X3.0 METRIC NITRILE ORING	56.0MM X 3.0MM ORING	\$1.11	EA
57.0X3.0 METRIC NITRILE ORING	57.0MM X 3.0MM ORING	\$1.11	EA
58.0X3.0 METRIC NITRILE ORING	58.0MM X 3.0MM ORING	\$1.11	EA
59.0X3.0 METRIC NITRILE ORING	59.0MM X 3.0MM ORING	\$1.11	EA
59.5X3.0 METRIC NITRILE ORING	59.5MM X 3.0MM ORING	\$1.25	EA
60.0X3.0 METRIC NITRILE ORING	60.0MM X 3.0MM ORING	\$1.25	EA
61.0X3.0 METRIC NITRILE ORING	61.0MM X 3.0MM ORING	\$1.25	EA
62.0X3.0 METRIC NITRILE ORING	62.0MM X 3.0MM ORING	\$1.25	EA
63.0X3.0 METRIC NITRILE ORING	63.0MM X 3.0MM ORING	\$1.25	EA
64.0X3.0 METRIC NITRILE ORING	64.0MM X 3.0MM ORING	\$1.25	EA
64.5X3.0 METRIC NITRILE ORING	64.5MM X 3.0MM ORING	\$1.25	EA
65.0X3.0 METRIC NITRILE ORING	65.0MM X 3.0MM ORING	\$1.25	EA
66.0X3.0 METRIC NITRILE ORING	66.0MM X 3.0MM ORING	\$1.25	EA
67.0X3.0 METRIC NITRILE ORING	67.0MM X 3.0MM ORING	\$1.25	EA
68.0X3.0 METRIC NITRILE ORING	68.0MM X 3.0MM ORING	\$1.39	EA

METRIC O-RINGS

ITEM DESCRIPTION	ID X CROSS SECTION	SALES PRICE	UOM
70.0X3.0 METRIC NITRILE ORING	70.0MM X 3.0MM ORING	\$1.39	EA
72.0X3.0 METRIC NITRILE ORING	72.0MM X 3.0MM ORING	\$1.39	EA
74.0X3.0 METRIC NITRILE ORING	74.0MM X 3.0MM ORING	\$1.39	EA
74.5X3.0 METRIC NITRILE ORING	74.5MM X 3.0MM ORING	\$1.39	EA
75.0X3.0 METRIC NITRILE ORING	75.0MM X 3.0MM ORING	\$1.39	EA
76.0X3.0 METRIC NITRILE ORING	76.0MM X 3.0MM ORING	\$1.39	EA
77.0X3.0 METRIC NITRILE ORING	77.0MM X 3.0MM ORING	\$1.39	EA
78.0X3.0 METRIC NITRILE ORING	78.0MM X 3.0MM ORING	\$1.39	EA
78.0X3.0 METRIC VITON ORING	78.0MM X 3.0MM VT ORING	\$10.96	EA
79.0X3.0 METRIC NITRILE ORING	79.0MM X 3.0MM ORING	\$1.39	EA
79.5X3.0 METRIC NITRILE ORING	79.5MM X 3.0MM ORING	\$1.39	EA
80.0X3.0 METRIC NITRILE ORING	80.0MM X 3.0MM ORING	\$1.62	EA
81.0X3.0 METRIC NITRILE ORING	81.0MM X 3.0MM ORING	\$1.62	EA
82.0X3.0 METRIC NITRILE ORING	82.0MM X 3.0MM ORING	\$1.62	EA
83.0X3.0 METRIC NITRILE ORING	83.0MM X 3.0MM ORING	\$1.62	EA
84.0X3.0 METRIC NITRILE ORING	84.0MM X 3.0MM ORING	\$1.62	EA
84.5X3.0 METRIC NITRILE ORING	84.5MM X 3.0MM ORING	\$1.62	EA
85.0X3.0 METRIC NITRILE ORING	85.0MM X 3.0MM ORING	\$1.62	EA
86.0X3.0 METRIC NITRILE ORING	86.0MM X 3.0MM ORING	\$1.62	EA
87.0X3.0 METRIC NITRILE ORING	87.0MM X 3.0MM ORING	\$1.62	EA
88.0X3.0 METRIC NITRILE ORING	88.0MM X 3.0MM ORING	\$2.23	EA
89.0X3.0 METRIC NITRILE ORING	89.0MM X 3.0MM ORING	\$2.23	EA
90.0X3.0 METRIC NITRILE ORING	90.0MM X 3.0MM ORING	\$2.23	EA
91.0X3.0 METRIC NITRILE ORING	91.0MM X 3.0MM ORING	\$2.23	EA
92.0X3.0 METRIC NITRILE ORING	92.0MM X 3.0MM ORING	\$2.23	EA
93.0X3.0 METRIC NITRILE ORING	93.0MM X 3.0MM ORING	\$2.51	EA
93.0X3.0 METRIC VITON ORING	93.0MM X 3.0MM VT ORING	\$12.65	EA
94.0X3.0 METRIC NITRILE ORING	94.0MM X 3.0MM ORING	\$2.51	EA
94.0X3.0 METRIC VITON ORING	94.0MM X 3.0MM VT ORING	\$12.65	EA
94.5X3.0 METRIC NITRILE ORING	94.5MM X 3.0MM ORING	\$2.51	EA
96.0X3.0 METRIC NITRILE ORING	96.0MM X 3.0MM ORING	\$2.51	EA
97.0X3.0 METRIC NITRILE ORING	97.0MM X 3.0MM ORING	\$2.51	EA

342

Precision Seals Inc.
820 Honeysuckle Drive
Fultondale, AL 35068

SALES OFFICE HOURS
7 A.M. TO 5 P.M. CST
www.precisionseals.com

PHONE 205-631-7006
FAX 205-631-7032
TOLL FREE 800-233-8585

METRIC O-RINGS

ITEM DESCRIPTION	ID X CROSS SECTION	SALES PRICE	UOM
98.0X3.0 METRIC NITRILE ORING	98.0MM X 3.0MM ORING	\$2.51	EA
99.0X3.0 METRIC NITRILE ORING	99.0MM X 3.0MM ORING	\$2.51	EA
99.5X3.0 METRIC NITRILE ORING	99.5MM X 3.0MM ORING	\$2.51	EA
100.0X3.0 METRIC NITRILE ORING	100.0MM X 3.0MM ORING	\$2.51	EA
101.0X3.0 METRIC NITRILE ORING	101.0MM X 3.0MM ORING	\$2.51	EA
102.0X3.0 METRIC NITRILE ORING	102.0MM X 3.0MM ORING	\$2.51	EA
103.0X3.0 METRIC NITRILE ORING	103.0MM X 3.0MM ORING	\$2.51	EA
104.5X3.0 METRIC NITRILE ORING	104.5MM X 3.0MM ORING	\$2.51	EA
105.0X3.0 METRIC NITRILE ORING	105.0MM X 3.0MM ORING	\$2.51	EA
106.0X3.0 METRIC NITRILE ORING	106.0MM X 3.0MM ORING	\$2.51	EA
107.0X3.0 METRIC NITRILE ORING	107.0MM X 3.0MM ORING	\$2.51	EA
108.0X3.0 METRIC NITRILE ORING	108.0MM X 3.0MM ORING	\$2.51	EA
109.5X3.0 METRIC NITRILE ORING	109.5MM X 3.0MM ORING	\$2.51	EA
110.0X3.0 METRIC NITRILE ORING	110.0MM X 3.0MM ORING	\$2.51	EA
111.0X3.0 METRIC NITRILE ORING	111.0MM X 3.0MM ORING	\$2.51	EA
112.0X3.0 METRIC NITRILE ORING	112.0MM X 3.0MM ORING	\$2.51	EA
113.0X3.0 METRIC NITRILE ORING	113.0MM X 3.0MM ORING	\$2.51	EA

METRIC O-RINGS

ITEM DESCRIPTION	ID X CROSS SECTION	SALES PRICE	UOM
114.5X3.0 METRIC NITRILE ORING	114.5MM X 3.0MM ORING	\$2.51	EA
115.0X3.0 METRIC NITRILE ORING	115.0MM X 3.0MM ORING	\$2.51	EA
116.0X3.0 METRIC NITRILE ORING	116.0MM X 3.0MM ORING	\$2.51	EA
117.0X3.0 METRIC NITRILE ORING	117.0MM X 3.0MM ORING	\$2.51	EA
118.0X3.0 METRIC NITRILE ORING	118.0MM X 3.0MM ORING	\$2.51	EA
119.5X3.0 METRIC NITRILE ORING	119.5MM X 3.0MM ORING	\$2.58	EA
120.0X3.0 METRIC NITRILE ORING	120.0MM X 3.0MM ORING	\$2.58	EA
121.0X3.0 METRIC NITRILE ORING	121.0MM X 3.0MM ORING	\$2.58	EA
122.0X3.0 METRIC NITRILE ORING	122.0MM X 3.0MM ORING	\$2.58	EA
123.0X3.0 METRIC NITRILE ORING	123.0MM X 3.0MM ORING	\$2.58	EA
124.0X3.0 METRIC NITRILE ORING	124.0MM X 3.0MM ORING	\$2.58	EA
124.0X3.0 METRIC VITON ORING	124.0MM X 3.0MM VT ORING	\$16.71	EA
124.5X3.0 METRIC NITRILE ORING	124.5MM X 3.0MM ORING	\$2.58	EA
125.0X3.0 METRIC NITRILE ORING	125.0MM X 3.0MM ORING	\$2.58	EA
126.0X3.0 METRIC NITRILE ORING	126.0MM X 3.0MM ORING	\$2.58	EA
127.0X3.0 METRIC NITRILE ORING	127.0MM X 3.0MM ORING	\$2.58	EA
128.0X3.0 METRIC NITRILE ORING	128.0MM X 3.0MM ORING	\$2.58	EA
129.5X3.0 METRIC NITRILE ORING	129.5MM X 3.0MM ORING	\$2.58	EA
130.0X3.0 METRIC NITRILE ORING	130.0MM X 3.0MM ORING	\$2.58	EA
131.0X3.0 METRIC NITRILE ORING	131.0MM X 3.0MM ORING	\$2.58	EA
132.0X3.0 METRIC NITRILE ORING	132.0MM X 3.0MM ORING	\$5.09	EA
133.0X3.0 METRIC NITRILE ORING	133.0MM X 3.0MM ORING	\$2.65	EA
134.0X3.0 METRIC NITRILE ORING	134.0MM X 3.0MM ORING	\$2.65	EA
135.0X3.0 METRIC NITRILE ORING	135.0MM X 3.0MM ORING	\$2.65	EA
136.0X3.0 METRIC NITRILE ORING	136.0MM X 3.0MM ORING	\$2.65	EA
137.0X3.0 METRIC NITRILE ORING	137.0MM X 3.0MM ORING	\$2.65	EA
138.0X3.0 METRIC NITRILE ORING	138.0MM X 3.0MM ORING	\$2.65	EA
139.0X3.0 METRIC NITRILE ORING	139.0MM X 3.0MM ORING	\$2.65	EA
140.0X3.0 METRIC NITRILE ORING	140.0MM X 3.0MM ORING	\$2.79	EA
141.0X3.0 METRIC NITRILE ORING	141.0MM X 3.0MM ORING	\$2.79	EA
142.0X3.0 METRIC NITRILE ORING	142.0MM X 3.0MM ORING	\$2.79	EA
143.0X3.0 METRIC NITRILE ORING	143.0MM X 3.0MM ORING	\$2.79	EA

344

Precision Seals Inc.
820 Honeysuckle Drive
Fultondale, AL 35068

SALES OFFICE HOURS
7 A.M. TO 5 P.M. CST
www.precisionseals.com

PHONE 205-631-7006
FAX 205-631-7032
TOLL FREE 800-233-8585

METRIC O-RINGS

ITEM DESCRIPTION	ID X CROSS SECTION	SALES PRICE	UOM
144.0X3.0 METRIC NITRILE ORING	144.0MM X 3.0MM ORING	\$2.79	EA
145.0X3.0 METRIC NITRILE ORING	145.0MM X 3.0MM ORING	\$2.79	EA
146.0X3.0 METRIC NITRILE ORING	146.0MM X 3.0MM ORING	\$2.79	EA
147.0X3.0 METRIC NITRILE ORING	147.0MM X 3.0MM ORING	\$2.79	EA
148.0X3.0 METRIC NITRILE ORING	148.0MM X 3.0MM ORING	\$2.79	EA
149.0X3.0 METRIC NITRILE ORING	149.0MM X 3.0MM ORING	\$2.79	EA
149.5X3.0 METRIC NITRILE ORING	149.5MM X 3.0MM ORING	\$2.79	EA
150.0X3.0 METRIC NITRILE ORING	150.0MM X 3.0MM ORING	\$2.79	EA
151.0X3.0 METRIC NITRILE ORING	151.0MM X 3.0MM ORING	\$2.79	EA
152.0X3.0 METRIC NITRILE ORING	152.0MM X 3.0MM ORING	\$2.79	EA
153.0X3.0 METRIC NITRILE ORING	153.0MM X 3.0MM ORING	\$2.79	EA
154.0X3.0 METRIC NITRILE ORING	154.0MM X 3.0MM ORING	\$2.79	EA
155.0X3.0 METRIC NITRILE ORING	155.0MM X 3.0MM ORING	\$2.79	EA
155.0X3.0 METRIC VITON ORING	155.0MM X 3.0MM VT ORING	\$20.89	EA
156.0X3.0 METRIC NITRILE ORING	156.0MM X 3.0MM ORING	\$2.79	EA
157.0X3.0 METRIC NITRILE ORING	157.0MM X 3.0MM ORING	\$2.79	EA
160.0X3.0 METRIC NITRILE ORING	160.0MM X 3.0MM ORING	\$2.79	EA
161.0X3.0 METRIC NITRILE ORING	161.0MM X 3.0MM ORING	\$2.79	EA
162.0X3.0 METRIC NITRILE ORING	162.0MM X 3.0MM ORING	\$2.79	EA
163.0X3.0 METRIC NITRILE ORING	163.0MM X 3.0MM ORING	\$2.79	EA
164.0X3.0 METRIC NITRILE ORING	164.0MM X 3.0MM ORING	\$2.79	EA
165.0X3.0 METRIC NITRILE ORING	165.0MM X 3.0MM ORING	\$2.79	EA
166.0X3.0 METRIC NITRILE ORING	166.0MM X 3.0MM ORING	\$2.79	EA
167.0X3.0 METRIC NITRILE ORING	167.0MM X 3.0MM ORING	\$2.79	EA
168.0X3.0 METRIC NITRILE ORING	168.0MM X 3.0MM ORING	\$2.79	EA
168.0X3.0 METRIC VITON ORING	168.0MM X 3.0MM VT ORING	\$23.68	EA
169.0X3.0 METRIC NITRILE ORING	169.0MM X 3.0MM ORING	\$2.79	EA
170.0X3.0 METRIC NITRILE ORING	170.0MM X 3.0MM ORING	\$2.92	EA
180.0X3.0 METRIC NITRILE ORING	180.0MM X 3.0MM ORING	\$2.92	EA
180.0X3.0 METRIC VITON ORING	180.0MM X 3.0MM VT ORING	\$25.07	EA
190.0X3.0 METRIC NITRILE ORING	190.0MM X 3.0MM ORING	\$2.92	EA
190.0X3.0 METRIC VITON ORING	190.0MM X 3.0MM VT ORING	\$27.85	EA

METRIC O-RINGS

ITEM DESCRIPTION	ID X CROSS SECTION	SALES PRICE	UOM
39.4X3.1 METRIC NITRILE ORING	39.4MM X 3.1MM ORING	\$1.28	EA
44.4X3.1 METRIC NITRILE ORING	44.4MM X 3.1MM ORING	\$1.28	EA
49.4X3.1 METRIC NITRILE ORING	49.4MM X 3.1MM ORING	\$1.28	EA
54.4X3.1 METRIC NITRILE ORING	54.4MM X 3.1MM ORING	\$2.09	EA
59.4X3.1 METRIC NITRILE ORING	59.4MM X 3.1MM ORING	\$2.09	EA
64.4X3.1 METRIC NITRILE ORING	64.4MM X 3.1MM ORING	\$2.09	EA
69.4X3.1 METRIC NITRILE ORING	69.4MM X 3.1MM ORING	\$2.09	EA
74.4X3.1 METRIC NITRILE ORING	74.4MM X 3.1MM ORING	\$2.09	EA
79.4X3.1 METRIC NITRILE ORING	79.4MM X 3.1MM ORING	\$2.09	EA
84.4X3.1 METRIC NITRILE ORING	84.4MM X 3.1MM ORING	\$4.18	EA
89.4X3.1 METRIC NITRILE ORING	89.4MM X 3.1MM ORING	\$2.09	EA
94.4X3.1 METRIC NITRILE ORING	94.4MM X 3.1MM ORING	\$2.09	EA
99.4X3.1 METRIC NITRILE ORING	99.4MM X 3.1MM ORING	\$2.09	EA
104.4X3.1 METRIC NITRILE ORING	104.4MM X 3.1MM ORING	\$2.44	EA
109.4X3.1 METRIC NITRILE ORING	109.4MM X 3.1MM ORING	\$2.44	EA
114.4X3.1 METRIC NITRILE ORING	114.4MM X 3.1MM ORING	\$2.44	EA
119.4X3.1 METRIC NITRILE ORING	119.4MM X 3.1MM ORING	\$2.44	EA
124.4X3.1 METRIC NITRILE ORING	124.4MM X 3.1MM ORING	\$2.92	EA
129.4X3.1 METRIC NITRILE ORING	129.4MM X 3.1MM ORING	\$2.92	EA
134.4X3.1 METRIC NITRILE ORING	134.4MM X 3.1MM ORING	\$2.92	EA
139.4X3.1 METRIC NITRILE ORING	139.4MM X 3.1MM ORING	\$2.92	EA

9.0X3.5 METRIC NITRILE ORING	9.0MM X 3.5MM ORING	\$0.24	EA
10.0X3.5 METRIC NITRILE ORING	10.0MM X 3.5MM ORING	\$0.24	EA
11.0X3.5 METRIC NITRILE ORING	11.0MM X 3.5MM ORING	\$0.22	EA
14.0X3.5 METRIC NITRILE ORING	14.0MM X 3.5MM ORING	\$0.22	EA
15.0X3.5 METRIC NITRILE ORING	15.0MM X 3.5MM ORING	\$0.22	EA
16.0X3.5 METRIC NITRILE ORING	16.0MM X 3.5MM ORING	\$0.28	EA
21.0X3.5 METRIC NITRILE ORING	21.0MM X 3.5MM ORING	\$0.28	EA
21.7X3.5 METRIC NITRILE ORING	21.7MM X 3.5MM ORING	\$0.28	EA
22.0X3.5 METRIC NITRILE ORING	22.0MM X 3.5MM ORING	\$0.28	EA
22.1X3.5 METRIC NITRILE ORING	22.1MM X 3.5MM ORING	\$0.28	EA
23.7X3.5 METRIC NITRILE ORING	23.7MM X 3.5MM ORING	\$0.28	EA

METRIC O-RINGS

ITEM DESCRIPTION	ID X CROSS SECTION	SALES PRICE	UOM
25.0X3.5 METRIC NITRILE ORING	25.0MM X 3.5MM ORING	\$0.28	EA
26.2X3.5 METRIC NITRILE ORING	26.2MM X 3.5MM ORING	\$0.28	EA
26.7X3.5 METRIC NITRILE ORING	26.7MM X 3.5MM ORING	\$0.28	EA
27.7X3.5 METRIC NITRILE ORING	27.7MM X 3.5MM ORING	\$0.28	EA
28.0X3.5 METRIC NITRILE ORING	28.0MM X 3.5MM ORING	\$0.33	EA
28.7X3.5 METRIC NITRILE ORING	28.7MM X 3.5MM ORING	\$0.33	EA
29.0X3.5 METRIC NITRILE ORING	29.0MM X 3.5MM ORING	\$0.33	EA
29.7X3.5 METRIC NITRILE ORING	29.7MM X 3.5MM ORING	\$0.33	EA
30.0X3.5 METRIC NITRILE ORING	30.0MM X 3.5MM ORING	\$0.33	EA
31.2X3.5 METRIC NITRILE ORING	31.2MM X 3.5MM ORING	\$0.33	EA
32.0X3.5 METRIC NITRILE ORING	32.0MM X 3.5MM ORING	\$0.39	EA
33.0X3.5 METRIC NITRILE ORING	33.0MM X 3.5MM ORING	\$0.39	EA
34.0X3.5 METRIC NITRILE ORING	34.0MM X 3.5MM ORING	\$0.39	EA
35.2X3.5 METRIC NITRILE ORING	35.2MM X 3.5MM ORING	\$0.39	EA
37.0X3.5 METRIC NITRILE ORING	37.0MM X 3.5MM ORING	\$0.50	EA
37.7X3.5 METRIC NITRILE ORING	37.7MM X 3.5MM ORING	\$0.50	EA
38.0X3.5 METRIC NITRILE ORING	38.0MM X 3.5MM ORING	\$0.50	EA
38.7X3.5 METRIC NITRILE ORING	38.7MM X 3.5MM ORING	\$0.50	EA
39.7X3.5 METRIC NITRILE ORING	39.7MM X 3.5MM ORING	\$0.56	EA
41.0X3.5 METRIC NITRILE ORING	41.0MM X 3.5MM ORING	\$0.75	EA
42.0X3.5 METRIC NITRILE ORING	42.0MM X 3.5MM ORING	\$0.56	EA
43.7X3.5 METRIC NITRILE ORING	43.7MM X 3.5MM ORING	\$1.42	EA
44.7X3.5 METRIC NITRILE ORING	44.7MM X 3.5MM ORING	\$1.42	EA
45.0X3.5 METRIC NITRILE ORING	45.0MM X 3.5MM ORING	\$1.42	EA
46.0X3.5 METRIC NITRILE ORING	46.0MM X 3.5MM ORING	\$1.42	EA
47.7X3.5 METRIC NITRILE ORING	47.7MM X 3.5MM ORING	\$1.42	EA
48.0X3.5 METRIC NITRILE ORING	48.0MM X 3.5MM ORING	\$1.42	EA
48.7X3.5 METRIC NITRILE ORING	48.7MM X 3.5MM ORING	\$1.42	EA
49.7X3.5 METRIC NITRILE ORING	49.7MM X 3.5MM ORING	\$1.42	EA
50.0X3.5 METRIC NITRILE ORING	50.0MM X 3.5MM ORING	\$1.42	EA
51.0X3.5 METRIC NITRILE ORING	51.0MM X 3.5MM ORING	\$1.42	EA
52.0X3.5 METRIC NITRILE ORING	52.0MM X 3.5MM ORING	\$1.42	EA

METRIC O-RINGS			
ITEM DESCRIPTION	ID X CROSS SECTION	SALES PRICE	UOM
53.0X3.5 METRIC NITRILE ORING	53.0MM X 3.5MM ORING	\$1.42	EA
54.0X3.5 METRIC NITRILE ORING	54.0MM X 3.5MM ORING	\$1.42	EA
55.0X3.5 METRIC NITRILE ORING	55.0MM X 3.5MM ORING	\$1.42	EA
56.0X3.5 METRIC NITRILE ORING	56.0MM X 3.5MM ORING	\$1.42	EA
57.0X3.5 METRIC NITRILE ORING	57.0MM X 3.5MM ORING	\$1.42	EA
58.0X3.5 METRIC NITRILE ORING	58.0MM X 3.5MM ORING	\$1.42	EA
59.0X3.5 METRIC NITRILE ORING	59.0MM X 3.5MM ORING	\$1.42	EA
60.0X3.5 METRIC NITRILE ORING	60.0MM X 3.5MM ORING	\$1.42	EA
61.0X3.5 METRIC NITRILE ORING	61.0MM X 3.5MM ORING	\$1.42	EA
62.0X3.5 METRIC NITRILE ORING	62.0MM X 3.5MM ORING	\$1.42	EA

**QUALITY AND
RELIABLE
SERVICE! LOW
SHIPPING COSTS!**

METRIC O-RINGS

ITEM DESCRIPTION	ID X CROSS SECTION	SALES PRICE	UOM
63.0X3.5 METRIC NITRILE ORING	63.0MM X 3.5MM ORING	\$1.42	EA
64.0X3.5 METRIC NITRILE ORING	64.0MM X 3.5MM ORING	\$1.42	EA
65.0X3.5 METRIC NITRILE ORING	65.0MM X 3.5MM ORING	\$1.42	EA
66.0X3.5 METRIC NITRILE ORING	66.0MM X 3.5MM ORING	\$1.42	EA
67.0X3.5 METRIC NITRILE ORING	67.0MM X 3.5MM ORING	\$1.42	EA
68.0X3.5 METRIC NITRILE ORING	68.0MM X 3.5MM ORING	\$1.42	EA
69.0X3.5 METRIC NITRILE ORING	69.0MM X 3.5MM ORING	\$1.42	EA
70.0X3.5 METRIC NITRILE ORING	70.0MM X 3.5MM ORING	\$1.90	EA
71.0X3.5 METRIC NITRILE ORING	71.0MM X 3.5MM ORING	\$1.89	EA
72.0X3.5 METRIC NITRILE ORING	72.0MM X 3.5MM ORING	\$1.90	EA
73.0X3.5 METRIC NITRILE ORING	73.0MM X 3.5MM ORING	\$1.90	EA
74.0X3.5 METRIC NITRILE ORING	74.0MM X 3.5MM ORING	\$1.90	EA
75.0X3.5 METRIC NITRILE ORING	75.0MM X 3.5MM ORING	\$1.90	EA
76.0X3.5 METRIC NITRILE ORING	76.0MM X 3.5MM ORING	\$1.90	EA
77.0X3.5 METRIC NITRILE ORING	77.0MM X 3.5MM ORING	\$1.90	EA
78.0X3.5 METRIC NITRILE ORING	78.0MM X 3.5MM ORING	\$1.90	EA
79.0X3.5 METRIC NITRILE ORING	79.0MM X 3.5MM ORING	\$1.90	EA
80.0X3.5 METRIC NITRILE ORING	80.0MM X 3.5MM ORING	\$1.90	EA
81.0X3.5 METRIC NITRILE ORING	81.0MM X 3.5MM ORING	\$1.90	EA
82.0X3.5 METRIC NITRILE ORING	82.0MM X 3.5MM ORING	\$1.90	EA
83.0X3.5 METRIC NITRILE ORING	83.0MM X 3.5MM ORING	\$2.04	EA
84.0X3.5 METRIC NITRILE ORING	84.0MM X 3.5MM ORING	\$2.04	EA
85.0X3.5 METRIC NITRILE ORING	85.0MM X 3.5MM ORING	\$2.04	EA
86.0X3.5 METRIC NITRILE ORING	86.0MM X 3.5MM ORING	\$2.04	EA
87.0X3.5 METRIC NITRILE ORING	87.0MM X 3.5MM ORING	\$2.04	EA
88.0X3.5 METRIC NITRILE ORING	88.0MM X 3.5MM ORING	\$2.04	EA
89.0X3.5 METRIC NITRILE ORING	89.0MM X 3.5MM ORING	\$2.04	EA
90.0X3.5 METRIC NITRILE ORING	90.0MM X 3.5MM ORING	\$2.16	EA
92.0X3.5 METRIC NITRILE ORING	92.0MM X 3.5MM ORING	\$2.16	EA
93.0X3.5 METRIC NITRILE ORING	93.0MM X 3.5MM ORING	\$2.16	EA
94.0X3.5 METRIC NITRILE ORING	94.0MM X 3.5MM ORING	\$2.16	EA
95.0X3.5 METRIC NITRILE ORING	95.0MM X 3.5MM ORING	\$2.16	EA

METRIC O-RINGS

ITEM DESCRIPTION	ID X CROSS SECTION	SALES PRICE	UOM
96.0X3.5 METRIC NITRILE ORING	96.0MM X 3.5MM ORING	\$2.16	EA
97.0X3.5 METRIC NITRILE ORING	97.0MM X 3.5MM ORING	\$2.40	EA
98.0X3.5 METRIC NITRILE ORING	98.0MM X 3.5MM ORING	\$2.40	EA
99.0X3.5 METRIC NITRILE ORING	99.0MM X 3.5MM ORING	\$2.40	EA
100.0X3.5 METRIC NITRILE ORING	100.0MM X 3.5MM ORING	\$2.40	EA
101.0X3.5 METRIC NITRILE ORING	101.0MM X 3.5MM ORING	\$2.40	EA
102.0X3.5 METRIC NITRILE ORING	102.0MM X 3.5MM ORING	\$2.40	EA
103.0X3.5 METRIC NITRILE ORING	103.0MM X 3.5MM ORING	\$2.40	EA
104.0X3.5 METRIC NITRILE ORING	104.0MM X 3.5MM ORING	\$2.40	EA
105.0X3.5 METRIC NITRILE ORING	105.0MM X 3.5MM ORING	\$2.40	EA
112.0X3.5 METRIC NITRILE ORING	112.0MM X 3.5MM ORING	\$3.06	EA
118.0X3.5 METRIC NITRILE ORING	118.0MM X 3.5MM ORING	\$3.40	EA
120.0X3.5 METRIC NITRILE ORING	120.0MM X 3.5MM ORING	\$2.40	EA
132.0X3.5 METRIC NITRILE ORING	132.0MM X 3.5MM ORING	\$2.40	EA
150.0X3.5 METRIC NITRILE ORING	150.0MM X 3.5MM ORING	\$2.52	EA
160.0X3.5 METRIC VITON ORING	160.0MM X 3.5MM VT ORING	\$23.68	EA
248.0X3.5 METRIC NITRILE ORING	248.0MM X 3.5MM ORING	\$12.70	EA
260.0X3.5 METRIC NITRILE ORING	260.0MM X 3.5MM ORING	\$12.70	EA

6.0X4.0 METRIC NITRILE ORING	6.0MM X 4.0MM ORING	\$0.22	EA
8.0X4.0 METRIC NITRILE ORING	8.0MM X 4.0MM ORING	\$0.22	EA
9.0X4.0 METRIC NITRILE ORING	9.0MM X 4.0MM ORING	\$0.22	EA
10.0X4.0 METRIC NITRILE ORING	10.0MM X 4.0MM ORING	\$0.22	EA
11.0X4.0 METRIC NITRILE ORING	11.0MM X 4.0MM ORING	\$0.22	EA
12.0X4.0 METRIC NITRILE ORING	12.0MM X 4.0MM ORING	\$0.22	EA
14.0X4.0 METRIC NITRILE ORING	14.0MM X 4.0MM ORING	\$0.22	EA
15.0X4.0 METRIC NITRILE ORING	15.0MM X 4.0MM ORING	\$0.22	EA
16.0X4.0 METRIC NITRILE ORING	16.0MM X 4.0MM ORING	\$0.28	EA
17.0X4.0 METRIC NITRILE ORING	17.0MM X 4.0MM ORING	\$0.28	EA
18.0X4.0 METRIC NITRILE ORING	18.0MM X 4.0MM ORING	\$0.28	EA
19.0X4.0 METRIC NITRILE ORING	19.0MM X 4.0MM ORING	\$0.28	EA
20.0X4.0 METRIC NITRILE ORING	20.0MM X 4.0MM ORING	\$0.28	EA
21.0X4.0 METRIC NITRILE ORING	21.0MM X 4.0MM ORING	\$0.33	EA

350

Precision Seals Inc.
820 Honeysuckle Drive
Fultondale, AL 35068

SALES OFFICE HOURS
7 A.M. TO 5 P.M. CST
www.precisionseals.com

PHONE 205-631-7006
FAX 205-631-7032
TOLL FREE 800-233-8585

METRIC O-RINGS

ITEM DESCRIPTION	ID X CROSS SECTION	SALES PRICE	UOM
25.0X4.0 METRIC NITRILE ORING	25.0MM X 4.0MM ORING	\$0.33	EA
27.0X4.0 METRIC NITRILE ORING	27.0MM X 4.0MM ORING	\$0.45	EA
28.0X4.0 METRIC NITRILE ORING	28.0MM X 4.0MM ORING	\$0.45	EA
29.0X4.0 METRIC NITRILE ORING	29.0MM X 4.0MM ORING	\$0.45	EA
30.0X4.0 METRIC NITRILE ORING	30.0MM X 4.0MM ORING	\$0.45	EA
32.0X4.0 METRIC NITRILE ORING	32.0MM X 4.0MM ORING	\$0.45	EA
33.0X4.0 METRIC NITRILE ORING	33.0MM X 4.0MM ORING	\$0.45	EA
34.0X4.0 METRIC NITRILE ORING	34.0MM X 4.0MM ORING	\$0.45	EA
35.0X4.0 METRIC NITRILE ORING	35.0MM X 4.0MM ORING	\$0.45	EA
36.0X4.0 METRIC NITRILE ORING	36.0MM X 4.0MM ORING	\$0.45	EA
37.0X4.0 METRIC NITRILE ORING	37.0MM X 4.0MM ORING	\$0.45	EA
38.0X4.0 METRIC NITRILE ORING	38.0MM X 4.0MM ORING	\$0.45	EA
40.0X4.0 METRIC NITRILE ORING	40.0MM X 4.0MM ORING	\$0.45	EA
41.0X4.0 METRIC NITRILE ORING	41.0MM X 4.0MM ORING	\$0.67	EA
42.0X4.0 METRIC NITRILE ORING	42.0MM X 4.0MM ORING	\$0.67	EA
43.0X4.0 METRIC NITRILE ORING	43.0MM X 4.0MM ORING	\$0.67	EA
44.0X4.0 METRIC NITRILE ORING	44.0MM X 4.0MM ORING	\$0.67	EA
45.0X4.0 METRIC NITRILE ORING	45.0MM X 4.0MM ORING	\$0.67	EA
47.0X4.0 METRIC NITRILE ORING	47.0MM X 4.0MM ORING	\$1.06	EA
48.0X4.0 METRIC NITRILE ORING	48.0MM X 4.0MM ORING	\$1.06	EA
49.0X4.0 METRIC NITRILE ORING	49.0MM X 4.0MM ORING	\$1.06	EA
50.0X4.0 METRIC NITRILE ORING	50.0MM X 4.0MM ORING	\$1.06	EA
51.0X4.0 METRIC NITRILE ORING	51.0MM X 4.0MM ORING	\$1.06	EA
52.0X4.0 METRIC NITRILE ORING	52.0MM X 4.0MM ORING	\$1.06	EA
54.0X4.0 METRIC NITRILE ORING	54.0MM X 4.0MM ORING	\$1.06	EA
55.0X4.0 METRIC NITRILE ORING	55.0MM X 4.0MM ORING	\$1.06	EA
56.0X4.0 METRIC NITRILE ORING	56.0MM X 4.0MM ORING	\$1.06	EA
57.0X4.0 METRIC NITRILE ORING	57.0MM X 4.0MM ORING	\$1.06	EA
58.0X4.0 METRIC NITRILE ORING	58.0MM X 4.0MM ORING	\$1.06	EA
59.0X4.0 METRIC NITRILE ORING	59.0MM X 4.0MM ORING	\$1.06	EA
60.0X4.0 METRIC NITRILE ORING	60.0MM X 4.0MM ORING	\$1.06	EA
63.0X4.0 METRIC NITRILE ORING	63.0MM X 4.0MM ORING	\$1.39	EA

METRIC O-RINGS

ITEM DESCRIPTION	ID X CROSS SECTION	SALES PRICE	UOM
64.0X4.0 METRIC NITRILE ORING	64.0MM X 4.0MM ORING	\$1.39	EA
65.0X4.0 METRIC NITRILE ORING	65.0MM X 4.0MM ORING	\$1.39	EA
66.0X4.0 METRIC NITRILE ORING	66.0MM X 4.0MM ORING	\$1.39	EA
67.0X4.0 METRIC NITRILE ORING	67.0MM X 4.0MM ORING	\$1.39	EA
68.0X4.0 METRIC NITRILE ORING	68.0MM X 4.0MM ORING	\$1.39	EA
70.0X4.0 METRIC NITRILE ORING	70.0MM X 4.0MM ORING	\$1.39	EA
71.0X4.0 METRIC NITRILE ORING	71.0MM X 4.0MM ORING	\$1.39	EA
73.0X4.0 METRIC NITRILE ORING	73.0MM X 4.0MM ORING	\$1.39	EA
75.0X4.0 METRIC NITRILE ORING	75.0MM X 4.0MM ORING	\$1.39	EA
76.0X4.0 METRIC NITRILE ORING	76.0MM X 4.0MM ORING	\$1.39	EA
78.0X4.0 METRIC NITRILE ORING	78.0MM X 4.0MM ORING	\$1.39	EA
79.0X4.0 METRIC NITRILE ORING	79.0MM X 4.0MM ORING	\$1.39	EA
80.0X4.0 METRIC NITRILE ORING	80.0MM X 4.0MM ORING	\$1.39	EA
81.0X4.0 METRIC NITRILE ORING	81.0MM X 4.0MM ORING	\$1.39	EA
82.0X4.0 METRIC NITRILE ORING	82.0MM X 4.0MM ORING	\$1.39	EA
89.0X4.0 METRIC NITRILE ORING	89.0MM X 4.0MM ORING	\$1.39	EA
90.0X4.0 METRIC NITRILE ORING	90.0MM X 4.0MM ORING	\$1.39	EA
91.0X4.0 METRIC NITRILE ORING	91.0MM X 4.0MM ORING	\$1.62	EA
92.0X4.0 METRIC NITRILE ORING	92.0MM X 4.0MM ORING	\$1.62	EA
95.0X4.0 METRIC NITRILE ORING	95.0MM X 4.0MM ORING	\$1.62	EA
96.0X4.0 METRIC NITRILE ORING	96.0MM X 4.0MM ORING	\$1.62	EA
98.0X4.0 METRIC NITRILE ORING	98.0MM X 4.0MM ORING	\$1.62	EA
100.0X4.0 METRIC NITRILE ORING	100.0MM X 4.0MM ORING	\$1.62	EA
102.0X4.0 METRIC NITRILE ORING	102.0MM X 4.0MM ORING	\$1.62	EA
104.0X4.0 METRIC NITRILE ORING	104.0MM X 4.0MM ORING	\$1.62	EA
105.0X4.0 METRIC NITRILE ORING	105.0MM X 4.0MM ORING	\$1.62	EA
108.0X4.0 METRIC NITRILE ORING	108.0MM X 4.0MM ORING	\$1.62	EA
110.0X4.0 METRIC NITRILE ORING	110.0MM X 4.0MM ORING	\$1.62	EA
111.0X4.0 METRIC NITRILE ORING	111.0MM X 4.0MM ORING	\$1.62	EA
112.0X4.0 METRIC NITRILE ORING	112.0MM X 4.0MM ORING	\$1.62	EA
114.0X4.0 METRIC NITRILE ORING	114.0MM X 4.0MM ORING	\$1.62	EA
114.0X4.0 METRIC VITON ORING	114.0MM X 4.0MM VT ORING	\$16.71	EA

352

Precision Seals Inc.
820 Honeysuckle Drive
Fultondale, AL 35068

SALES OFFICE HOURS
7 A.M. TO 5 P.M. CST
www.precisionseals.com

PHONE 205-631-7006
FAX 205-631-7032
TOLL FREE 800-233-8585

METRIC O-RINGS

ITEM DESCRIPTION	ID X CROSS SECTION	SALES PRICE	UOM
117.0X4.0 METRIC NITRILE ORING	117.0MM X 4.0MM ORING	\$1.62	EA
118.0X4.0 METRIC NITRILE ORING	118.0MM X 4.0MM ORING	\$1.62	EA
120.0X4.0 METRIC NITRILE ORING	120.0MM X 4.0MM ORING	\$1.62	EA
121.0X4.0 METRIC NITRILE ORING	121.0MM X 4.0MM ORING	\$2.01	EA
124.0X4.0 METRIC NITRILE ORING	124.0MM X 4.0MM ORING	\$2.01	EA
125.0X4.0 METRIC NITRILE ORING	125.0MM X 4.0MM ORING	\$2.01	EA
126.0X4.0 METRIC NITRILE ORING	126.0MM X 4.0MM ORING	\$2.01	EA
127.0X4.0 METRIC NITRILE ORING	127.0MM X 4.0MM ORING	\$2.01	EA
128.0X4.0 METRIC NITRILE ORING	128.0MM X 4.0MM ORING	\$2.01	EA
129.0X4.0 METRIC NITRILE ORING	129.0MM X 4.0MM ORING	\$2.01	EA
130.0X4.0 METRIC NITRILE ORING	130.0MM X 4.0MM ORING	\$2.01	EA
133.0X4.0 METRIC NITRILE ORING	133.0MM X 4.0MM ORING	\$2.01	EA
136.0X4.0 METRIC NITRILE ORING	136.0MM X 4.0MM ORING	\$2.01	EA
137.0X4.0 METRIC NITRILE ORING	137.0MM X 4.0MM ORING	\$2.01	EA
140.0X4.0 METRIC NITRILE ORING	140.0MM X 4.0MM ORING	\$2.01	EA
142.0X4.0 METRIC NITRILE ORING	142.0MM X 4.0MM ORING	\$2.51	EA
142.0X4.0 METRIC VITON ORING	142.0MM X 4.0MM VT ORING	\$22.28	EA
146.0X4.0 METRIC NITRILE ORING	146.0MM X 4.0MM ORING	\$2.51	EA
150.0X4.0 METRIC NITRILE ORING	150.0MM X 4.0MM ORING	\$2.51	EA
150.0X4.0 METRIC VITON ORING	150.0MM X 4.0MM VT ORING	\$22.28	EA
152.0X4.0 METRIC NITRILE ORING	152.0MM X 4.0MM ORING	\$2.51	EA
155.0X4.0 METRIC NITRILE ORING	155.0MM X 4.0MM ORING	\$2.51	EA
158.0X4.0 METRIC NITRILE ORING	158.0MM X 4.0MM ORING	\$2.51	EA
160.0X4.0 METRIC NITRILE ORING	160.0MM X 4.0MM ORING	\$2.51	EA
164.0X4.0 METRIC NITRILE ORING	164.0MM X 4.0MM ORING	\$2.51	EA
165.0X4.0 METRIC NITRILE ORING	165.0MM X 4.0MM ORING	\$2.51	EA
171.0X4.0 METRIC NITRILE ORING	171.0MM X 4.0MM ORING	\$3.34	EA
172.0X4.0 METRIC NITRILE ORING	172.0MM X 4.0MM ORING	\$3.34	EA
190.0X4.0 METRIC NITRILE ORING	190.0MM X 4.0MM ORING	\$4.13	EA

30.0X5.0 METRIC NITRILE ORING	30.0MM X 5.0MM ORING	\$0.50	EA
31.0X5.0 METRIC NITRILE ORING	31.0MM X 5.0MM ORING	\$0.50	EA
32.0X5.0 METRIC NITRILE ORING	32.0MM X 5.0MM ORING	\$0.50	EA

METRIC O-RINGS

ITEM DESCRIPTION	ID X CROSS SECTION	SALES PRICE	UOM
40.0X5.0 METRIC NITRILE ORING	40.0MM X 5.0MM ORING	\$0.67	EA
42.0X5.0 METRIC NITRILE ORING	42.0MM X 5.0MM ORING	\$0.67	EA
44.0X5.0 METRIC NITRILE ORING	44.0MM X 5.0MM ORING	\$0.67	EA
45.0X5.0 METRIC NITRILE ORING	45.0MM X 5.0MM ORING	\$0.67	EA
50.0X5.0 METRIC NITRILE ORING	50.0MM X 5.0MM ORING	\$0.67	EA
52.0X5.0 METRIC NITRILE ORING	52.0MM X 5.0MM ORING	\$0.67	EA
55.0X5.0 METRIC NITRILE ORING	55.0MM X 5.0MM ORING	\$0.67	EA
58.0X5.0 METRIC NITRILE ORING	58.0MM X 5.0MM ORING	\$1.50	EA
60.0X5.0 METRIC NITRILE ORING	60.0MM X 5.0MM ORING	\$1.50	EA
61.0X5.0 METRIC NITRILE ORING	61.0MM X 5.0MM ORING	\$1.50	EA
63.0X5.0 METRIC NITRILE ORING	63.0MM X 5.0MM ORING	\$1.50	EA
65.0X5.0 METRIC NITRILE ORING	65.0MM X 5.0MM ORING	\$1.50	EA
68.0X5.0 METRIC NITRILE ORING	68.0MM X 5.0MM ORING	\$1.50	EA
70.0X5.0 METRIC NITRILE ORING	70.0MM X 5.0MM ORING	\$1.50	EA
73.0X5.0 METRIC NITRILE ORING	73.0MM X 5.0MM ORING	\$1.50	EA
76.0X5.0 METRIC NITRILE ORING	76.0MM X 5.0MM ORING	\$1.50	EA
78.0X5.0 METRIC NITRILE ORING	78.0MM X 5.0MM ORING	\$1.50	EA
80.0X5.0 METRIC NITRILE ORING	80.0MM X 5.0MM ORING	\$1.50	EA
82.0X5.0 METRIC NITRILE ORING	82.0MM X 5.0MM ORING	\$1.50	EA
84.0X5.0 METRIC NITRILE ORING	84.0MM X 5.0MM ORING	\$1.50	EA
85.0X5.0 METRIC NITRILE ORING	85.0MM X 5.0MM ORING	\$1.50	EA
90.0X5.0 METRIC NITRILE ORING	90.0MM X 5.0MM ORING	\$4.80	EA
92.0X5.0 METRIC NITRILE ORING	92.0MM X 5.0MM ORING	\$2.01	EA
95.0X5.0 METRIC NITRILE ORING	95.0MM X 5.0MM ORING	\$2.01	EA
96.0X5.0 METRIC NITRILE ORING	96.0MM X 5.0MM ORING	\$2.01	EA
97.0X5.0 METRIC NITRILE ORING	97.0MM X 5.0MM ORING	\$2.01	EA
98.0X5.0 METRIC NITRILE ORING	98.0MM X 5.0MM ORING	\$3.12	EA
100.0X5.0 METRIC NITRILE ORING	100.0MM X 5.0MM ORING	\$2.01	EA
102.0X5.0 METRIC NITRILE ORING	102.0MM X 5.0MM ORING	\$2.01	EA
105.0X5.0 METRIC NITRILE ORING	105.0MM X 5.0MM ORING	\$2.01	EA
107.0X5.0 METRIC NITRILE ORING	107.0MM X 5.0MM ORING	\$2.01	EA
108.0X5.0 METRIC NITRILE ORING	108.0MM X 5.0MM ORING	\$2.01	EA

354

Precision Seals Inc.
820 Honeysuckle Drive
Fultondale, AL 35068

SALES OFFICE HOURS
7 A.M. TO 5 P.M. CST
www.precisionseals.com

PHONE 205-631-7006
FAX 205-631-7032
TOLL FREE 800-233-8585

METRIC O-RINGS

ITEM DESCRIPTION	ID X CROSS SECTION	SALES PRICE	UOM
112.0X5.0 METRIC NITRILE ORING	112.0MM X 5.0MM ORING	\$2.01	EA
115.0X5.0 METRIC NITRILE ORING	115.0MM X 5.0MM ORING	\$1.80	EA
116.0X5.0 METRIC NITRILE ORING	116.0MM X 5.0MM ORING	\$2.01	EA
118.0X5.0 METRIC NITRILE ORING	118.0MM X 5.0MM ORING	\$2.01	EA
120.0X5.0 METRIC NITRILE ORING	120.0MM X 5.0MM ORING	\$3.00	EA
121.0X5.0 METRIC NITRILE ORING	121.0MM X 5.0MM ORING	\$2.01	EA
122.0X5.0 METRIC NITRILE ORING	122.0MM X 5.0MM ORING	\$2.01	EA
125.0X5.0 METRIC NITRILE ORING	125.0MM X 5.0MM ORING	\$2.23	EA
126.0X5.0 METRIC NITRILE ORING	126.0MM X 5.0MM ORING	\$2.23	EA
128.0X5.0 METRIC NITRILE ORING	128.0MM X 5.0MM ORING	\$2.23	EA
130.0X5.0 METRIC NITRILE ORING	130.0MM X 5.0MM ORING	\$2.23	EA
135.0X5.0 METRIC NITRILE ORING	135.0MM X 5.0MM ORING	\$2.23	EA
138.0X5.0 METRIC NITRILE ORING	138.0MM X 5.0MM ORING	\$2.23	EA
140.0X5.0 METRIC NITRILE ORING	140.0MM X 5.0MM ORING	\$2.23	EA
143.0X5.0 METRIC NITRILE ORING	143.0MM X 5.0MM ORING	\$2.23	EA
144.0X5.0 METRIC NITRILE ORING	144.0MM X 5.0MM ORING	\$2.23	EA
148.0X5.0 METRIC NITRILE ORING	148.0MM X 5.0MM ORING	\$2.51	EA
150.0X5.0 METRIC NITRILE ORING	150.0MM X 5.0MM ORING	\$2.51	EA
155.0X5.0 METRIC NITRILE ORING	155.0MM X 5.0MM ORING	\$2.51	EA
158.0X5.0 METRIC NITRILE ORING	158.0MM X 5.0MM ORING	\$2.51	EA
160.0X5.0 METRIC NITRILE ORING	160.0MM X 5.0MM ORING	\$2.51	EA
162.0X5.0 METRIC NITRILE ORING	162.0MM X 5.0MM ORING	\$4.46	EA
165.0X5.0 METRIC NITRILE ORING	165.0MM X 5.0MM ORING	\$2.51	EA
167.0X5.0 METRIC NITRILE ORING	167.0MM X 5.0MM ORING	\$2.51	EA
171.0X5.0 METRIC NITRILE ORING	171.0MM X 5.0MM ORING	\$3.34	EA
175.0X5.0 METRIC NITRILE ORING	175.0MM X 5.0MM ORING	\$3.34	EA
244.0X5.0 METRIC NITRILE ORING	244.0MM X 5.0MM ORING	\$11.25	EA
323.0X5.0 METRIC NITRILE ORING	323.0MM X 5.0MM ORING	\$5.57	EA
325.0X5.0 METRIC NITRILE ORING	325.0MM X 5.0MM ORING	\$5.57	EA
329.0X5.0 METRIC NITRILE ORING	329.0MM X 5.0MM ORING	\$5.57	EA
330.0X5.0 METRIC NITRILE ORING	330.0MM X 5.0MM ORING	\$5.57	EA
331.0X5.0 METRIC NITRILE ORING	331.0MM X 5.0MM ORING	\$5.77	EA

METRIC O-RINGS

ITEM DESCRIPTION	ID X CROSS SECTION	SALES PRICE	UOM
324.0X5.34 METRIC NITRILE ORING	324.0MM X 5.34MM ORING	\$9.72	EA
36.0X5.7 METRIC NITRILE ORING	36.0MM X 5.7MM ORING	\$0.67	EA
44.3X5.7 METRIC NITRILE ORING	44.3MM X 5.7MM ORING	\$0.67	EA
45.3X5.7 METRIC NITRILE ORING	45.3MM X 5.7MM ORING	\$0.67	EA
49.3X5.7 METRIC NITRILE ORING	49.3MM X 5.7MM ORING	\$0.67	EA
49.6X5.7 METRIC NITRILE ORING	49.6MM X 5.7MM ORING	\$0.67	EA
52.3X5.7 METRIC NITRILE ORING	52.3MM X 5.7MM ORING	\$0.67	EA
54.3X5.7 METRIC NITRILE ORING	54.3MM X 5.7MM ORING	\$1.24	EA
55.3X5.7 METRIC NITRILE ORING	55.3MM X 5.7MM ORING	\$1.24	EA
59.3X5.7 METRIC NITRILE ORING	59.3MM X 5.7MM ORING	\$1.50	EA
62.0X5.7 METRIC NITRILE ORING	62.0MM X 5.7MM ORING	\$1.50	EA
62.6X5.7 METRIC NITRILE ORING	62.6MM X 5.7MM ORING	\$1.50	EA
64.0X5.7 METRIC NITRILE ORING	64.0MM X 5.7MM ORING	\$1.50	EA
64.6X5.7 METRIC NITRILE ORING	64.6MM X 5.7MM ORING	\$1.50	EA
64.6X5.7 METRIC VITON ORING	64.6MM X 5.7MM VT ORING	\$5.52	EA
66.6X5.7 METRIC NITRILE ORING	66.6MM X 5.7MM ORING	\$2.17	EA
70.0X5.7 METRIC NITRILE ORING	70.0MM X 5.7MM ORING	\$2.17	EA
74.3X5.7 METRIC NITRILE ORING	74.3MM X 5.7MM ORING	\$2.17	EA
74.6X5.7 METRIC NITRILE ORING	74.6MM X 5.7MM ORING	\$2.17	EA
79.3X5.7 METRIC NITRILE ORING	79.3MM X 5.7MM ORING	\$2.17	EA
84.3X5.7 METRIC NITRILE ORING	84.3MM X 5.7MM ORING	\$2.17	EA
87.2X5.7 METRIC NITRILE ORING	87.2MM X 5.7MM ORING	PAR	
89.3X5.7 METRIC NITRILE ORING	89.3MM X 5.7MM ORING	\$2.17	EA
94.3X5.7 METRIC NITRILE ORING	94.3MM X 5.7MM ORING	\$2.17	EA
99.3X5.7 METRIC NITRILE ORING	99.3MM X 5.7MM ORING	\$2.17	EA
101.6X5.7 METRIC NITRILE ORING	101.6MM X 5.7MM ORING	\$3.34	EA
104.3X5.7 METRIC NITRILE ORING	104.3MM X 5.7MM ORING	\$3.34	EA
104.6X5.7 METRIC NITRILE ORING	104.6MM X 5.7MM ORING	\$3.34	EA
109.3X5.7 METRIC NITRILE ORING	109.3MM X 5.7MM ORING	\$3.34	EA
114.6X5.7 METRIC NITRILE ORING	114.6MM X 5.7MM ORING	\$3.34	EA
124.3X5.7 METRIC NITRILE ORING	124.3MM X 5.7MM ORING	\$3.34	EA
124.6X5.7 METRIC NITRILE ORING	124.6MM X 5.7MM ORING	\$3.34	EA

356

Precision Seals Inc.
820 Honeysuckle Drive
Fultondale, AL 35068

SALES OFFICE HOURS
7 A.M. TO 5 P.M. CST
www.precisionseals.com

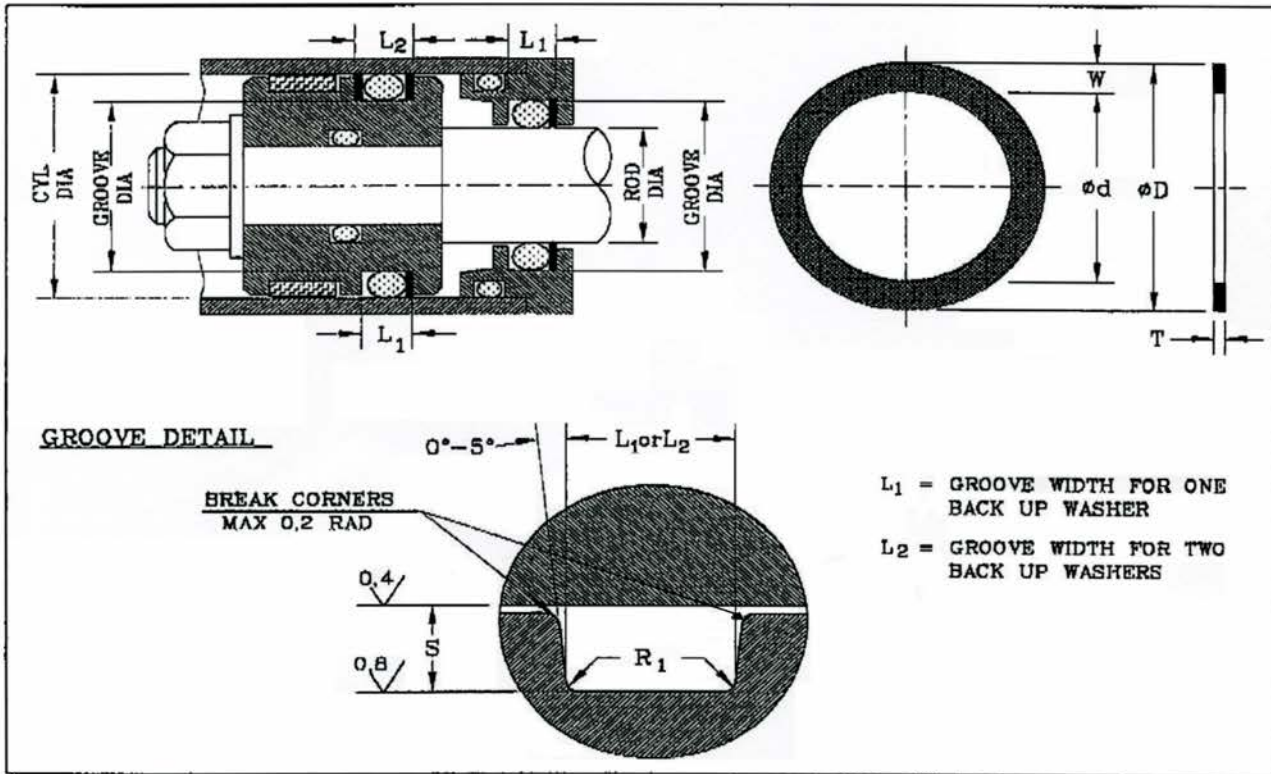
PHONE 205-631-7006
FAX 205-631-7032
TOLL FREE 800-233-8585

METRIC O-RINGS

ITEM DESCRIPTION	ID X CROSS SECTION	SALES PRICE	UOM
134.6X5.7 METRIC NITRILE ORING	134.6MM X 5.7MM ORING	\$3.34	EA
139.3X5.7 METRIC NITRILE ORING	139.3MM X 5.7MM ORING	\$3.34	EA
139.6X5.7 METRIC NITRILE ORING	139.6MM X 5.7MM ORING	\$3.34	EA
144.3X5.7 METRIC NITRILE ORING	144.3MM X 5.7MM ORING	\$3.34	EA
144.6X5.7 METRIC NITRILE ORING	144.6MM X 5.7MM ORING	\$3.34	EA
149.3X5.7 METRIC NITRILE ORING	149.3MM X 5.7MM ORING	\$3.34	EA
154.3X5.7 METRIC NITRILE ORING	154.3MM X 5.7MM ORING	\$3.34	EA
159.3X5.7 METRIC NITRILE ORING	159.3MM X 5.7MM ORING	\$3.34	EA
164.2X5.7 METRIC90 DURO ORING	164.2MM X 5.7MM 90 ORING	\$5.74	EA
164.3X5.7 METRIC NITRILE ORING	164.3MM X 5.7MM ORING	\$3.34	EA
169.3X5.7 METRIC NITRILE ORING	169.3MM X 5.7MM ORING	\$3.34	EA
174.3X5.7 METRIC NITRILE ORING	174.3MM X 5.7MM ORING	\$3.34	EA
179.3X5.7 METRIC NITRILE ORING	179.3MM X 5.7MM ORING	\$4.01	EA
184.3X5.7 METRIC NITRILE ORING	184.3MM X 5.7MM ORING	\$3.34	EA
189.3X5.7 METRIC NITRILE ORING	189.3MM X 5.7MM ORING	\$3.34	EA
194.3X5.7 METRIC NITRILE ORING	194.3MM X 5.7MM ORING	\$3.34	EA
199.3X5.7 METRIC NITRILE ORING	199.3MM X 5.7MM ORING	\$3.90	EA
204.2X5.7 METRIC NITRILE ORING	204.2MM X 5.7MM ORING	\$14.34	EA
209.3X5.7 METRIC NITRILE ORING	209.3MM X 5.7MM ORING	\$3.90	EA
219.3X5.7 METRIC NITRILE ORING	219.3MM X 5.7MM ORING	\$3.90	EA
229.3X5.7 METRIC NITRILE ORING	229.3MM X 5.7MM ORING	\$3.90	EA
239.3X5.7 METRIC NITRILE ORING	239.3MM X 5.7MM ORING	\$3.90	EA
249.3X5.7 METRIC NITRILE ORING	249.3MM X 5.7MM ORING	\$3.90	EA
259.3X5.7 METRIC NITRILE ORING	259.3MM X 5.7MM ORING	\$3.90	EA
269.3X5.7 METRIC NITRILE ORING	269.3MM X 5.7MM ORING	\$3.90	EA
279.3X5.7 METRIC NITRILE ORING	279.3MM X 5.7MM ORING	\$4.18	EA
289.3X5.7 METRIC NITRILE ORING	289.3MM X 5.7MM ORING	\$4.18	EA
299.3X5.7 METRIC NITRILE ORING	299.3MM X 5.7MM ORING	\$4.18	EA

BACK-UP WASHERS

(METRIC SIZES)



'O'-RING C/S	BACK-UP WASHER		GROOVE DIMENSIONS				
	W (CROSS SECTION)	T* (THICKNESS)	L ₁ ONE WASHER	L ₂ TWO WASHERS	S		R ₁
					DYNAMIC	STATIC	
2,4	2,0 +0,0 -0,16	1,3 ±0,1	4,6 TO 4,8	6,0 TO 6,2	2,0	1,8	0,5
3,0	2,5 +0,0 -0,16	1,3 ±0,1	5,4 TO 5,6	6,8 TO 7,0	2,5	2,4	1,0
5,7	5,0 +0,0 -0,26	1,7 ±0,1	9,3 TO 9,5	11,1 TO 11,3	5,0	4,8	1,0
8,4	7,5 +0,0 -0,30	2,1 ±0,1	13,2 TO 13,4	15,4 TO 15,6	7,5	7,5	1,5

*- Other sizes available upon request.



BACK-UP WASHERS

(METRIC SIZES)

CHARACTERISTICS

Back-Up Washers are used in conjunction with 'O'-Rings for both static and dynamic sealing applications. They prevent extrusion of the 'O'-Ring when it is subjected to high pressures, or when the extrusion gaps are excessive.

On double acting cylinders two Back-Up Washers should

be used, one on each side of the 'O'-Ring.

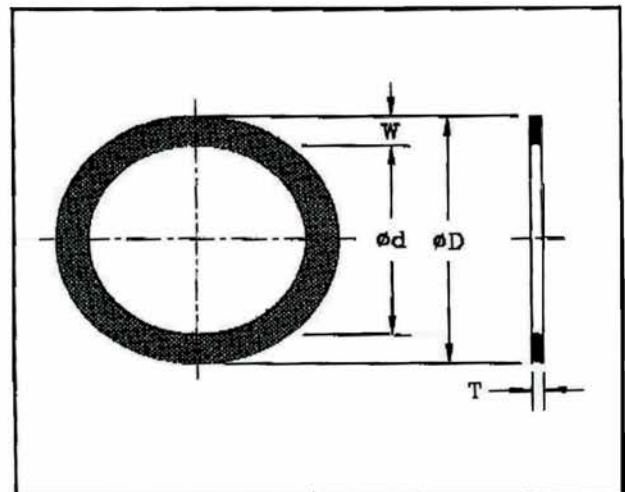
All Series Back-Up Washers are continuous one piece rings, so they will not pinch 'O'-Rings. The Polyurethane material used, allows the rings to be stretched over pistons for easy installation.

TYPE AVAILABLE

- For general use (i.e. either for rod or piston): request Series 19M

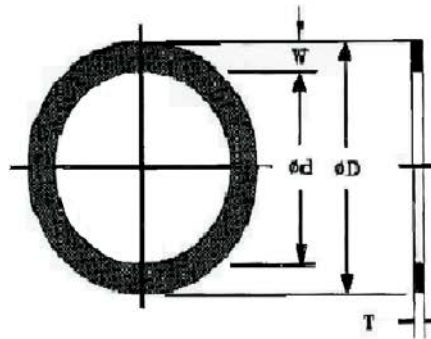
MATERIAL

- Type: Unithane 395 A, Liquid Cast Polyurethane
- Hardness: Durometer 95 A
- Fluid Compatibility: See Material Specifications: Technical Bulletin USM-03



BACK UP WASHERS

metric



METRIC URETHANE BACK-UPS

ITEM DESCRIPTION	ID X CROSS SECTION X WIDTH	SALES PRICE	UOM
10.0X2.0X1.30 URE METRIC BACK UP	10.0MM X 2.0MM X 1.30MM	\$0.27	EA
11.0X2.0X1.30 URE METRIC BACK UP	11.0MM X 2.0MM X 1.30MM	\$0.32	EA
12.0X2.0X1.30 URE METRIC BACK UP	12.0MM X 2.0MM X 1.30MM	\$0.32	EA
13.0X2.0X1.30 URE METRIC BACK UP	13.0MM X 2.0MM X 1.30MM	\$0.32	EA
14.0X2.0X1.30 URE METRIC BACK UP	14.0MM X 2.0MM X 1.30MM	\$0.32	EA
15.0X2.0X1.00 URE METRIC BACK UP	15.0MM X 2.0MM X 1.00MM	\$0.32	EA
15.0X2.0X1.30 URE METRIC BACK UP	15.0MM X 2.0MM X 1.30MM	\$0.32	EA
16.0X2.0X1.30 URE METRIC BACK UP	16.0MM X 2.0MM X 1.30MM	\$0.32	EA
17.0X2.0X1.30 URE METRIC BACK UP	17.0MM X 2.0MM X 1.30MM	\$0.32	EA
18.0X2.0X1.10 URE METRIC BACK UP	18.0MM X 2.0MM X 1.10MM	\$0.27	EA
18.0X2.0X1.30 URE METRIC BACK UP	18.0MM X 2.0MM X 1.30MM	\$0.32	EA
19.0X2.0X1.30 URE METRIC BACK UP	19.0MM X 2.0MM X 1.30MM	\$0.32	EA
20.0X2.5X1.30 URE METRIC BACK UP	20.0MM X 2.5MM X 1.30MM	\$0.32	EA
21.0X2.5X1.30 URE METRIC BACK UP	21.0MM X 2.5MM X 1.30MM	\$0.37	EA
22.0X2.5X1.30 URE METRIC BACK UP	22.0MM X 2.5MM X 1.30MM	\$1.15	EA
23.0X2.5X1.30 URE METRIC BACK UP	23.0MM X 2.5MM X 1.30MM	\$0.37	EA
24.0X2.5X1.30 URE METRIC BACK UP	24.0MM X 2.5MM X 1.30MM	\$0.37	EA
25.0X2.5X1.30 URE METRIC BACK UP	25.0MM X 2.5MM X 1.30MM	\$0.37	EA
26.0X2.5X1.30 URE METRIC BACK UP	26.0MM X 2.5MM X 1.30MM	\$0.37	EA
27.0X2.5X1.30 URE METRIC BACK UP	27.0MM X 2.5MM X 1.30MM	\$0.37	EA
28.0X2.5X1.30 URE METRIC BACK UP	28.0MM X 2.5MM X 1.30MM	\$0.37	EA

360

Precision Seals, Inc.
820 Honeysuckle Drive
Fultondale, AL 35068

SALES OFFICE HOURS
7 A.M. TO 5 P.M. CST
www.precisionseals.com

PHONE 205-631-7006
FAX 205-631-7032
TOLL FREE 800-233-8585

METRIC URETHANE BACK-UPS

ITEM DESCRIPTION	ID X CROSS SECTION X WIDTH	SALES PRICE	UOM
29.0X2.5X1.30 URE METRIC BACK UP	29.0MM X 2.5MM X 1.30MM	\$0.37	EA
40.0X2.5X1.30 URE METRIC BACK UP	40.0MM X 2.5MM X 1.30MM	\$0.43	EA
40.0X2.5X2.00 URE METRIC BACK UP	40.0MM X 2.5MM X 2.00MM	\$0.36	EA
41.0X2.5X1.30 URE METRIC BACK UP	41.0MM X 2.5MM X 1.30MM	\$0.48	EA
42.0X2.5X1.30 URE METRIC BACK UP	42.0MM X 2.5MM X 1.30MM	\$0.43	EA
43.0X2.5X1.30 URE METRIC BACK UP	43.0MM X 2.5MM X 1.30MM	\$0.43	EA
45.0X2.5X1.30 URE METRIC BACK UP	45.0MM X 2.5MM X 1.30MM	\$1.98	EA
48.5X2.5X2.00 URE METRIC BACK UP	48.5MM X 2.5MM X 2.00MM	\$0.48	EA
50.0X2.5X1.30 URE METRIC BACK UP	50.0MM X 2.5MM X 1.30MM	\$0.48	EA
55.0X2.5X1.30 URE METRIC BACK UP	55.0MM X 2.5MM X 1.30MM	\$0.48	EA
58.0X2.5X1.30 URE METRIC BACK UP	58.0MM X 2.5MM X 1.30MM	\$1.04	EA
59.0X2.0X1.00 URE METRIC BACK UP	59.0MM X 2.0MM X 1.00MM	\$0.43	EA
60.0X2.5X1.30 URE METRIC BACK UP	60.0MM X 2.5MM X 1.30MM	\$0.53	EA
63.0X2.5X1.30 URE METRIC BACK UP	63.0MM X 2.5MM X 1.30MM	\$0.53	EA
65.0X2.5X1.30 URE METRIC BACK UP	65.0MM X 2.5MM X 1.30MM	\$0.53	EA
69.0X2.5X1.30 URE METRIC BACK UP	69.0MM X 2.5MM X 1.30MM	\$0.59	EA
70.0X2.5X1.30 URE METRIC BACK UP	70.0MM X 2.5MM X 1.30MM	\$0.59	EA
75.0X2.5X1.30 URE METRIC BACK UP	75.0MM X 2.5MM X 1.30MM	\$1.56	EA
77.5X2.5X1.30 URE METRIC BACK UP	77.5MM X 2.5MM X 1.30MM	\$0.59	EA
79.0X2.5X1.30 URE METRIC BACK UP	79.0MM X 2.5MM X 1.30MM	\$0.64	EA
80.0X2.5X1.30 URE METRIC BACK UP	80.0MM X 2.5MM X 1.30MM	\$0.64	EA
85.0X2.5X1.30 URE METRIC BACK UP	85.0MM X 2.5MM X 1.30MM	\$0.64	EA
88.0X2.5X1.30 URE METRIC BACK UP	88.0MM X 2.5MM X 1.30MM	\$0.64	EA
90.0X2.5X1.30 URE METRIC BACK UP	90.0MM X 2.5MM X 1.30MM	\$1.89	EA
95.0X2.5X1.30 URE METRIC BACK UP	95.0MM X 2.5MM X 1.30MM	\$2.07	EA
98.0X2.5X1.30 URE METRIC BACK UP	98.0MM X 2.5MM X 1.30MM	\$1.79	EA
100.0X2.5X1.30 URE METRIC BACK UP	100.0MM X 2.5MM X 1.30MM	\$0.69	EA
105.0X2.5X1.30 URE METRIC BACK UP	105.0MM X 2.5MM X 1.30MM	\$0.75	EA
110.0X2.5X1.30 URE METRIC BACK UP	110.0MM X 2.5MM X 1.30MM	\$0.75	EA
115.0X2.5X1.30 URE METRIC BACK UP	115.0MM X 2.5MM X 1.30MM	\$0.80	EA
120.0X2.5X1.30 URE METRIC BACK UP	120.0MM X 2.5MM X 1.30MM	\$0.80	EA
125.0X2.5X1.30 URE METRIC BACK UP	125.0MM X 2.5MM X 1.30MM	\$0.85	EA

METRIC URETHANE BACK-UPS

ITEM DESCRIPTION	ID X CROSS SECTION X WIDTH	SALES PRICE	UOM
130.0X2.5X1.30 URE METRIC BACK UP	130.0MM X 2.5MM X 1.30MM	\$0.85	EA
135.0X2.5X1.30 URE METRIC BACK UP	135.0MM X 2.5MM X 1.30MM	\$0.85	EA
145.0X2.5X1.30 URE METRIC BACK UP	145.0MM X 2.5MM X 1.30MM	\$0.91	EA
150.0X2.5X1.30 URE METRIC BACK UP	150.0MM X 2.5MM X 1.30MM	\$1.28	EA
155.0X2.5X1.30 URE METRIC BACK UP	155.0MM X 2.5MM X 1.30MM	\$1.28	EA
165.0X2.5X1.30 URE METRIC BACK UP	165.0MM X 2.5MM X 1.30MM	\$1.33	EA
170.0X2.5X1.30 URE METRIC BACK UP	170.0MM X 2.5MM X 1.30MM	\$1.33	EA
175.0X2.5X1.30 URE METRIC BACK UP	175.0MM X 2.5MM X 1.30MM	\$1.39	EA
180.0X2.5X1.30 URE METRIC BACK UP	180.0MM X 2.5MM X 1.30MM	\$1.39	EA
185.0X2.5X1.30 URE METRIC BACK UP	185.0MM X 2.5MM X 1.30MM	\$1.44	EA
25.0X5.0X1.30 URE METRIC BACK UP	25.0MM X 5.0MM X 1.30MM	\$0.48	EA
40.0X5.0X1.70 URE METRIC BACK UP	40.0MM X 5.0MM X 1.70MM	\$0.69	EA
45.0X5.0X1.70 URE METRIC BACK UP	45.0MM X 5.0MM X 1.70MM	\$0.75	EA
50.0X5.0X1.70 URE METRIC BACK UP	50.0MM X 5.0MM X 1.70MM	\$0.75	EA
53.0X5.0X1.70 URE METRIC BACK UP	53.0MM X 5.0MM X 1.70MM	\$0.80	EA
55.0X5.0X1.70 URE METRIC BACK UP	55.0MM X 5.0MM X 1.70MM	\$0.80	EA
58.0X5.0X1.70 URE METRIC BACK UP	58.0MM X 5.0MM X 1.70MM	\$0.85	EA
60.0X5.0X1.70 URE METRIC BACK UP	60.0MM X 5.0MM X 1.70MM	\$0.85	EA
65.0X5.0X1.70 URE METRIC BACK UP	65.0MM X 5.0MM X 1.70MM	\$0.91	EA
70.0X5.0X1.70 URE METRIC BACK UP	70.0MM X 5.0MM X 1.70MM	\$0.96	EA
75.0X5.0X1.70 URE METRIC BACK UP	75.0MM X 5.0MM X 1.70MM	\$0.96	EA
75.0X5.0X3.00 URE METRIC BACK UP	75.0MM X 5.0MM X 3.00MM	\$1.71	EA
78.0X5.0X1.70 URE METRIC BACK UP	78.0MM X 5.0MM X 1.70MM	\$1.01	EA
80.0X5.0X1.70 URE METRIC BACK UP	80.0MM X 5.0MM X 1.70MM	\$2.76	EA
85.0X5.0X1.70 URE METRIC BACK UP	85.0MM X 5.0MM X 1.70MM	\$1.12	EA
90.0X5.0X1.70 URE METRIC BACK UP	90.0MM X 5.0MM X 1.70MM	\$1.12	EA
95.0X5.0X1.70 URE METRIC BACK UP	95.0MM X 5.0MM X 1.70MM	\$1.17	EA
100.0X5.0X1.70 URE METRIC BACK UP	100.0MM X 5.0MM X 1.70MM	\$1.17	EA
105.0X5.0X1.70 URE METRIC BACK UP	105.0MM X 5.0MM X 1.70MM	\$1.60	EA
110.0X5.0X1.70 URE METRIC BACK UP	110.0MM X 5.0MM X 1.70MM	\$1.60	EA
115.0X5.0X1.70 URE METRIC BACK UP	115.0MM X 5.0MM X 1.70MM	\$1.60	EA
120.0X5.0X1.70 URE METRIC BACK UP	120.0MM X 5.0MM X 1.70MM	\$4.09	EA

METRIC URETHANE BACK-UPS

ITEM DESCRIPTION	ID X CROSS SECTION X WIDTH	SALES PRICE	UOM
125.0X5.0X1.70 URE METRIC BACK UP	125.0MM X 5.0MM X 1.70MM	\$1.65	EA
130.0X5.0X1.30 URE METRIC BACK UP	130.0MM X 5.0MM X 1.30MM	\$1.33	EA
130.0X5.0X1.70 URE METRIC BACK UP	130.0MM X 5.0MM X 1.70MM	\$1.71	EA
132.0X5.0X1.70 URE METRIC BACK UP	132.0MM X 5.0MM X 1.70MM	\$1.71	EA
135.0X5.0X1.70 URE TEF METRIC BACK	135.0MM X 5.0MM X 1.70MM	\$1.71	EA
135.0X5.0X1.90 URE TEF METRIC BACK	135.0MM X 5.0MM X 1.90MM	\$7.68	EA
140.0X5.0X1.70 URE METRIC BACK UP	140.0MM X 5.0MM X 1.70MM	\$1.76	EA
140.0X5.0X3.00 URE METRIC BACK UP	140.0MM X 5.0MM X 3.00MM	\$2.94	EA
145.0X5.0X1.70 URE METRIC BACK UP	145.0MM X 5.0MM X 1.70MM	\$2.08	EA
150.0X5.0X1.70 URE METRIC BACK UP	150.0MM X 5.0MM X 1.70MM	\$2.14	EA
152.0X5.0X1.70 URE METRIC BACK UP	152.0MM X 5.0MM X 1.70MM	\$2.14	EA
155.0X5.0X1.70 URE METRIC BACK UP	155.0MM X 5.0MM X 1.70MM	\$2.83	EA
160.0X5.0X1.70 URE METRIC BACK UP	160.0MM X 5.0MM X 1.70MM	\$2.88	EA
165.0X5.0X1.70 URE METRIC BACK UP	165.0MM X 5.0MM X 1.70MM	\$2.94	EA
170.0X5.0X1.70 URE METRIC BACK UP	170.0MM X 5.0MM X 1.70MM	\$2.94	EA
172.0X5.0X1.70 URE METRIC BACK UP	172.0MM X 5.0MM X 1.70MM	\$2.94	EA
175.0X5.0X1.70 URE METRIC BACK UP	175.0MM X 5.0MM X 1.70MM	\$2.94	EA
180.0X5.0X1.70 URE METRIC BACK UP	180.0MM X 5.0MM X 1.70MM	\$2.99	EA
185.0X5.0X1.70 URE METRIC BACK UP	185.0MM X 5.0MM X 1.70MM	\$3.04	EA
190.0X5.0X1.70 URE METRIC BACK UP	190.0MM X 5.0MM X 1.70MM	\$3.04	EA
195.0X5.0X1.70 URE METRIC BACK UP	195.0MM X 5.0MM X 1.70MM	\$3.04	EA
200.0X5.0X1.70 URE METRIC BACK UP	200.0MM X 5.0MM X 1.70MM	\$3.04	EA
210.0X5.0X1.70 URE METRIC BACK UP	210.0MM X 5.0MM X 1.70MM	\$3.15	EA
220.0X5.0X1.70 URE METRIC BACK UP	220.0MM X 5.0MM X 1.70MM	\$3.15	EA
230.0X5.0X1.70 URE METRIC BACK UP	230.0MM X 5.0MM X 1.70MM	\$3.26	EA
240.0X5.0X1.70 URE METRIC BACK UP	240.0MM X 5.0MM X 1.70MM	\$3.26	EA
250.0X5.0X1.70 URE METRIC BACK UP	250.0MM X 5.0MM X 1.70MM	\$3.36	EA
290.0X5.0X1.90 URE METRIC BACK UP	290.0MM X 5.0MM X 1.90MM	\$77.33	EA
285.0X7.0X1.70 URE METRIC BACK UP	285.0MM X 7.0MM X 1.70MM	\$64.73	EA

Service...

It's a simple word, but when you need it, it's more than just a word. When you call Precision Seals, you won't be connected to an order-taker in a cubicle or an automated service. You will be placed in direct communication with our professional sales staff that is ready to help you fill your sealing needs.

Allow us to serve you from our vast inventory, or let us specify a special part for your unique projects.

Precision Seals...Your Source for Seals!

Custom Seal Kits

Precision Seals, Inc. specializes in custom seal kits for O.E.M. customers. We have the capability to assemble and private label your seal kits "in-house" for fast turnaround.

As a Hallite® Authorized Distributor, Precision Seals will assemble your kit using the best parts in the industry. When you receive your kits, they will be packaged and labeled, ready for sale to your customer, eliminating the need for storage of individual parts that your staff has to assemble.

Call today for a consultation on our Custom Seal Kit Program.

1-800-233-8585